

US00D526602S

(12) **United States Design Patent**
Sparkes

(10) **Patent No.:** **US D526,602 S**

(45) **Date of Patent:** **** Aug. 15, 2006**

(54) **HITCH ASSEMBLY**

(76) Inventor: **Vernon W. Sparkes**, 5004 Norquay Drive NW., Calgary, AB (CA), T2K 2L3

(**) Term: **14 Years**

(21) Appl. No.: **29/205,876**

(22) Filed: **May 24, 2004**

(51) **LOC (8) Cl.** **12-16**

(52) **U.S. Cl.** **D12/162**

(58) **Field of Classification Search** D12/106, D12/161, 162, 199, 400; 280/186, 402-404, 280/405, 405.1, 405.2, 407, 407.1, 416.2, 280/455.1, 491.5, 433, 434, 438 R
See application file for complete search history.

(56) **References Cited**

U.S. PATENT DOCUMENTS

1,438,831 A	12/1922	Jones
2,464,864 A	3/1949	Hoffmeyer
2,687,899 A	8/1954	Bendtsen
5,109,931 A	5/1992	Goll
5,350,186 A	9/1994	Hull et al.

5,527,054 A	*	6/1996	Williams	280/475
6,158,760 A		12/2000	Kiss		
6,536,794 B1		3/2003	Hancock et al.		
2002/0140206 A1		10/2002	Lloyd		

* cited by examiner

Primary Examiner—Doris Clark

Assistant Examiner—Michael Pratt

(74) *Attorney, Agent, or Firm*—Bennett Jones LLP

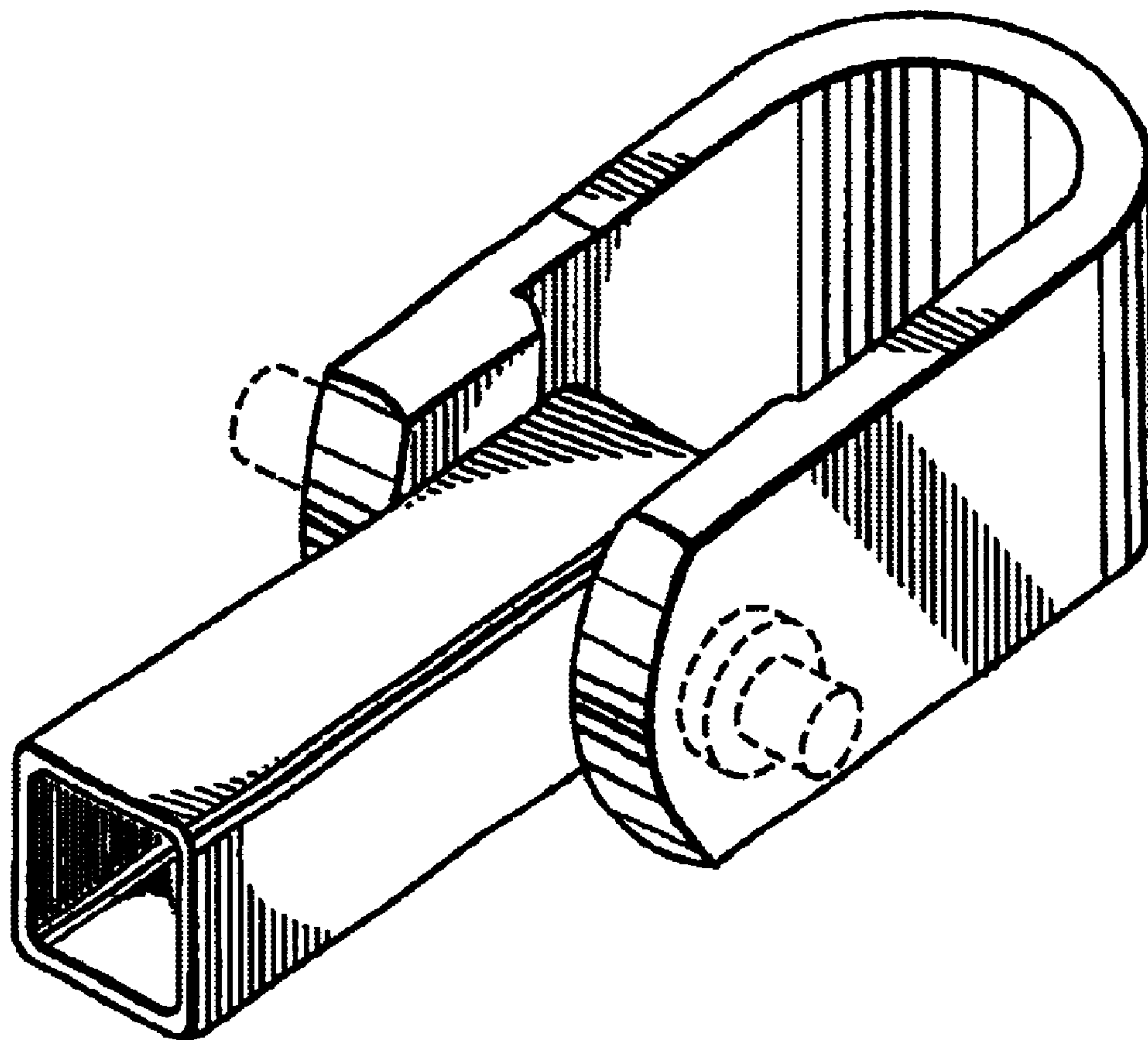
(57) **CLAIM**

I claim the ornamental design for the hitch assembly, as shown and described.

DESCRIPTION

FIG. 1 is a perspective view of a hitch assembly showing my new design;
FIG. 2 is a top plan view thereof; the opposite side being a mirror image,
FIG. 3 is a left side elevation view thereof;
FIG. 4 is a right side elevation view thereof; and,
FIG. 5 is a front elevation view thereof; with the shackle portion of the hitch assembly in a pivoted configuration and the opposite side being a mirror image.

1 Claim, 2 Drawing Sheets



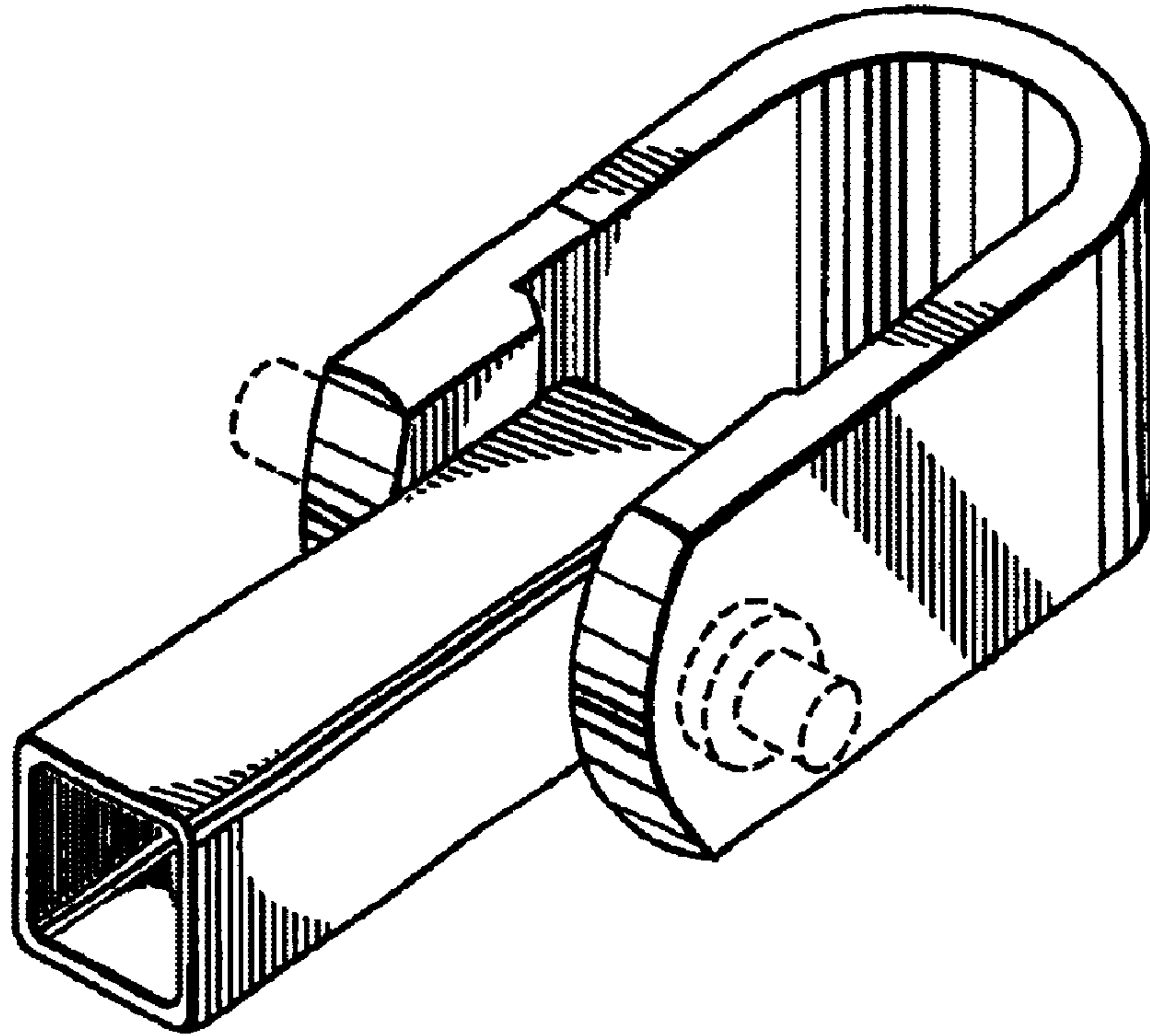


FIG. 1

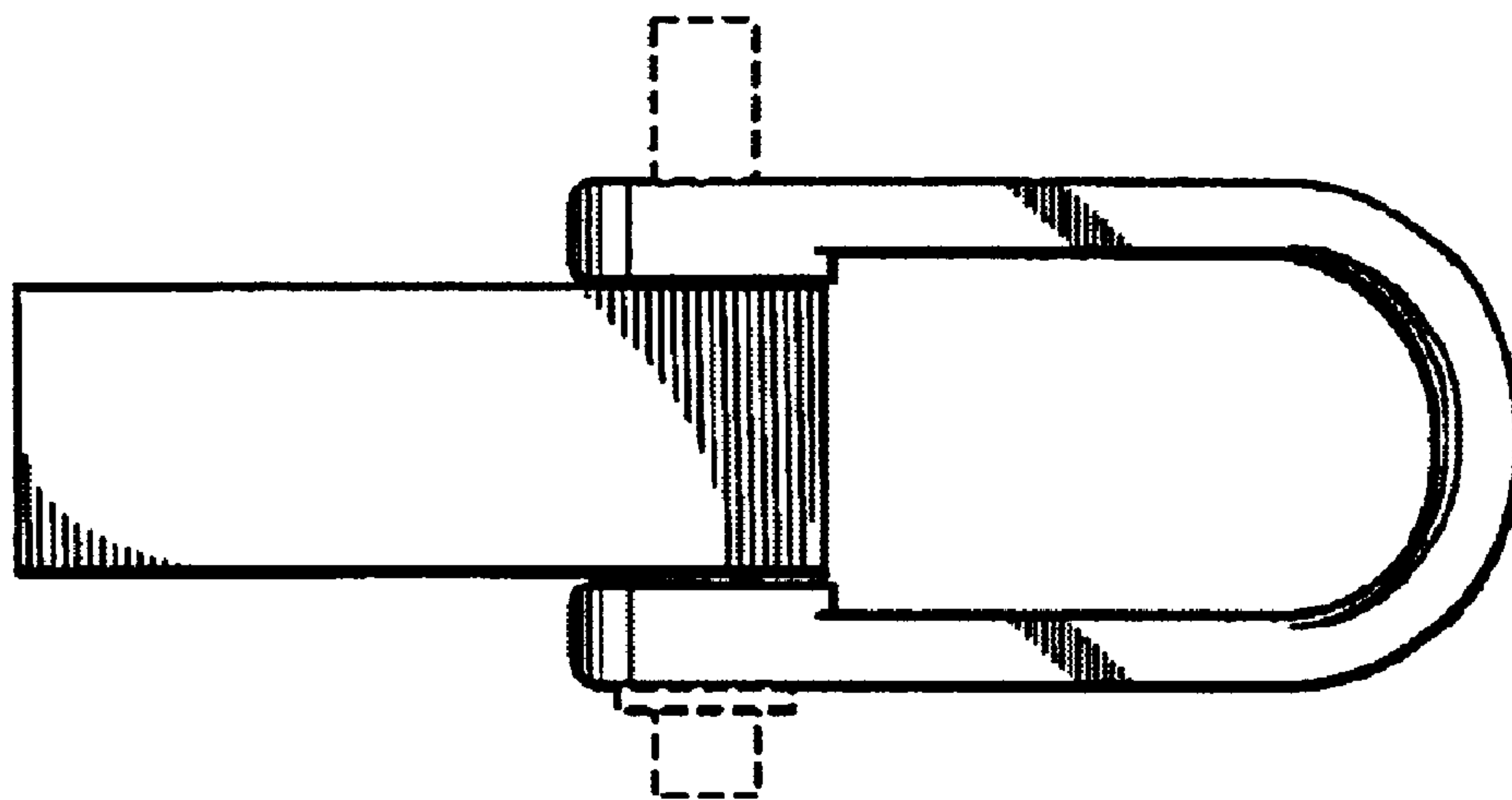


FIG. 2

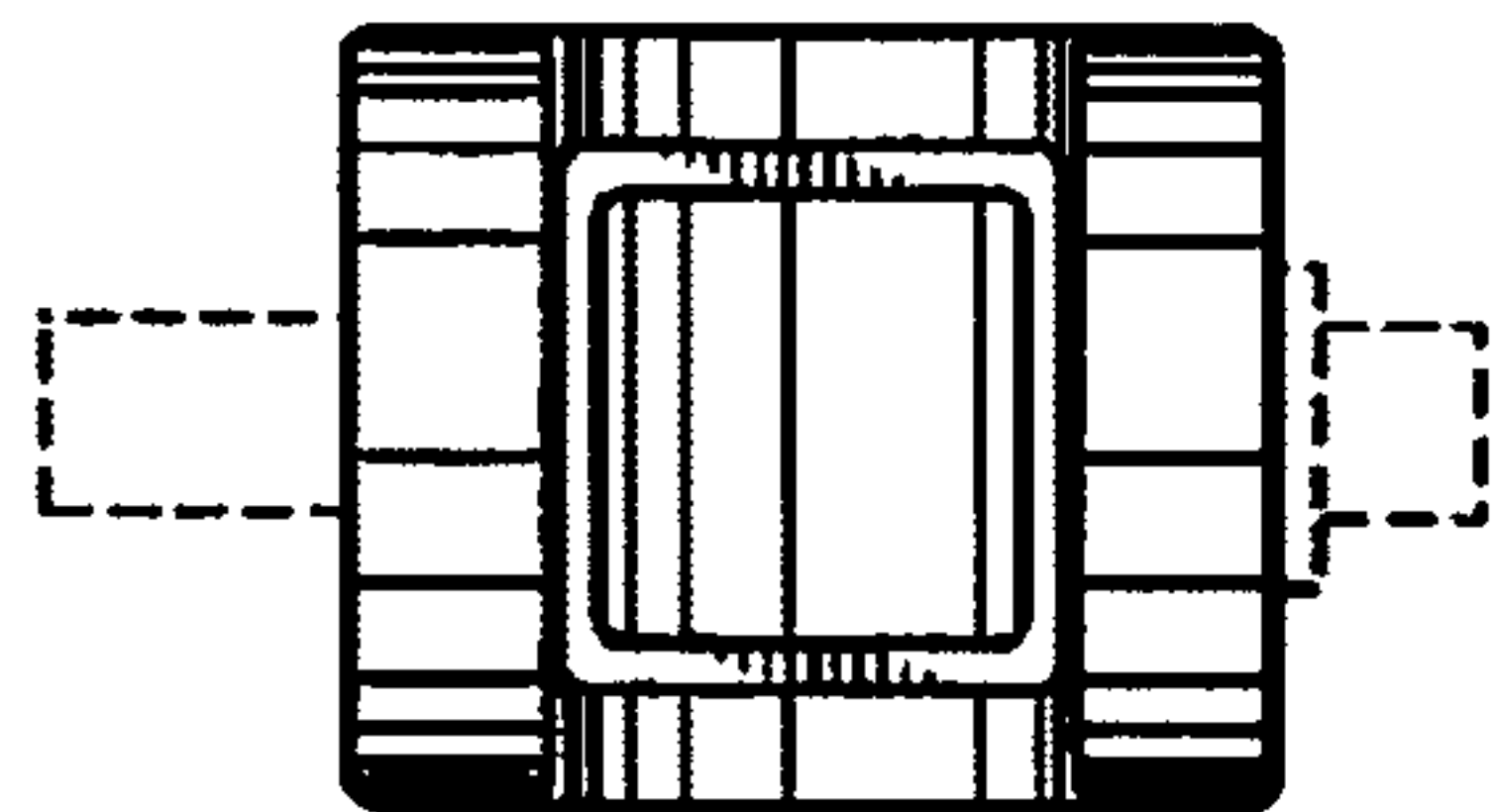


FIG. 3

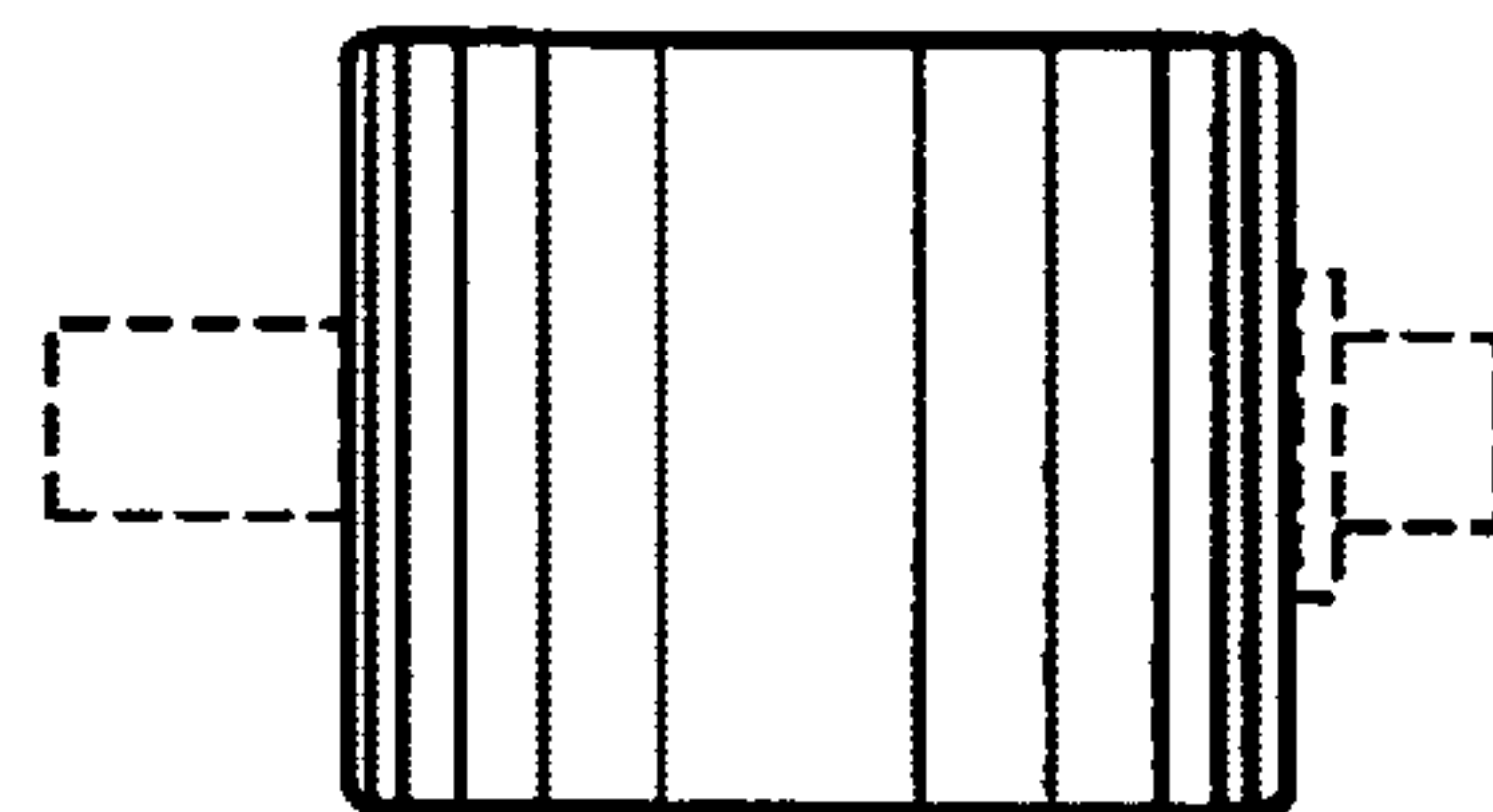


FIG. 4

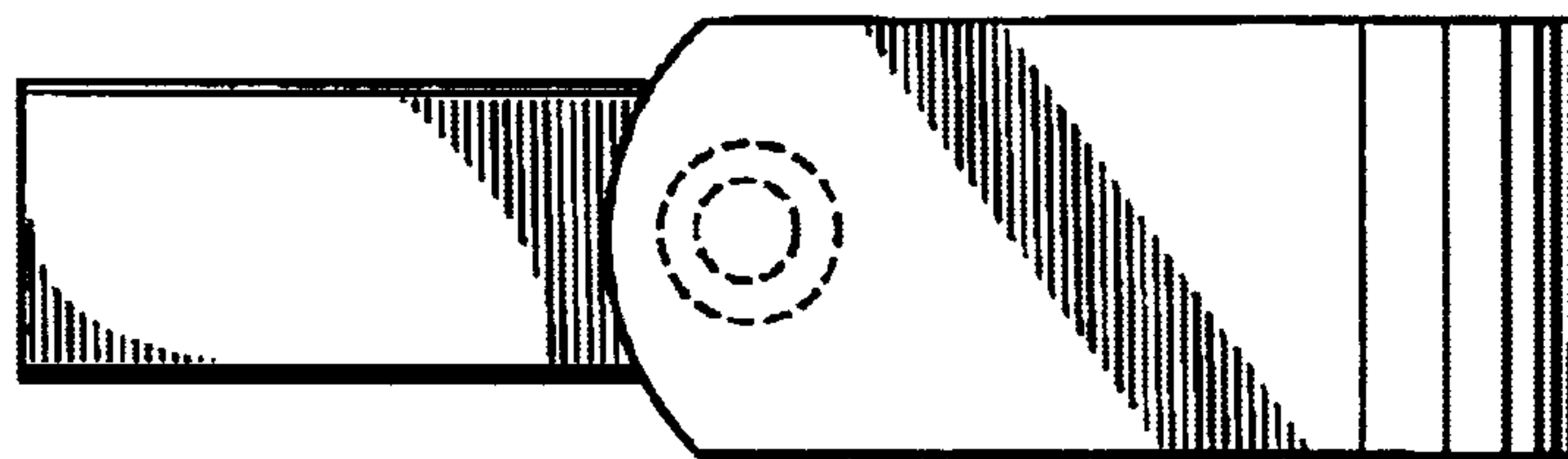


FIG. 5