

US00D526600S

(12) **United States Design Patent** (10) **Patent No.:** **US D526,600 S**  
**Lai** (45) **Date of Patent:** **\*\* Aug. 15, 2006**

(54) **SURFACE CONFIGURATION OF A VEHICLE, TOY, AND/OR OTHER REPLICAS**

*Primary Examiner*—Melody N. Brown  
(74) *Attorney, Agent, or Firm*—Crowell & Moring LLP

(75) Inventor: **Pinky Lai**, Koenigsbach-Stein (DE)

(57) **CLAIM**

(73) Assignee: **Dr. Ing. h.c.F. Porsche Aktiengesellschaft**, Stuttgart (DE)

The ornamental design for a surface configuration of a vehicle, toy, and/or other replicas, as shown and described.

(\*\*) Term: **14 Years**

**DESCRIPTION**

(21) Appl. No.: **29/237,713**

This application is related to the following co-pending applications, of the inventor, filed on even date herewith: application Ser. No. 29/237,753, entitled “Surface Configuration of a Front Light for a Vehicle”; application Ser. No. 29/237,754, entitled “Surface Configuration of a Retractable Rear Spoiler for a Vehicle”; application Ser. No. 29/237,726, entitled “Surface Configuration of a Front of a Vehicle, Toy, and/or Other Replicas”; application Ser. No. 29/237,728, entitled “Surface Configuration of a Vehicle, Toy, and/or Other Replicas”; and Application Ser. No. 29/237,727, entitled “Surface Configuration of an Air Vent for a Vehicle”. FIG. 1 is a right, front perspective view of a first embodiment of a surface configuration of a vehicle, toy, and/or other replicas according to my novel design, the left, front perspective view being mirror symmetrical; FIG. 2 is a left, rear perspective view thereof, the right, perspective view being mirror symmetrical; FIG. 3 is a top, right perspective view thereof, the top, left perspective view being mirror symmetrical; FIG. 4 is a left side view thereof, the right side view being mirror symmetrical; FIG. 5 is a front view thereof; FIG. 6 is a rear view thereof; and FIG. 7 is a top view thereof. FIG. 8 is a rear view of a second embodiment of the surface configuration of a vehicle, toy, and/or other replicas according to my novel design; and, FIG. 9 is a left, rear perspective view of FIG. 8, the right, rear perspective view being mirror symmetrical. The remaining views of the second embodiment of the surface configuration of a vehicle, toy, and/or other replicas are identical to those of the first embodiment, specifically, FIGS. 1, 3, 4, 5, and 7. The broken lines are for illustrative purposes only and form no part of the claimed design.

(22) Filed: **Sep. 7, 2005**

(30) **Foreign Application Priority Data**

|              |      |       |             |
|--------------|------|-------|-------------|
| Mar. 8, 2005 | (DE) | ..... | 4 05 01 299 |
| Mar. 8, 2005 | (DE) | ..... | 4 05 01 298 |
| Mar. 8, 2005 | (DE) | ..... | 4 05 01 305 |
| Mar. 8, 2005 | (DE) | ..... | 4 05 01 300 |
| Mar. 8, 2005 | (DE) | ..... | 4 05 01 301 |
| Mar. 8, 2005 | (DE) | ..... | 4 05 01 310 |
| Mar. 8, 2005 | (DE) | ..... | 4 05 01 304 |

(51) **LOC (8) Cl.** ..... **12-08**

(52) **U.S. Cl.** ..... **D12/92**

(58) **Field of Classification Search** ..... D12/90–92, D12/86; D21/424, 433; 296/181.1, 181.5  
See application file for complete search history.

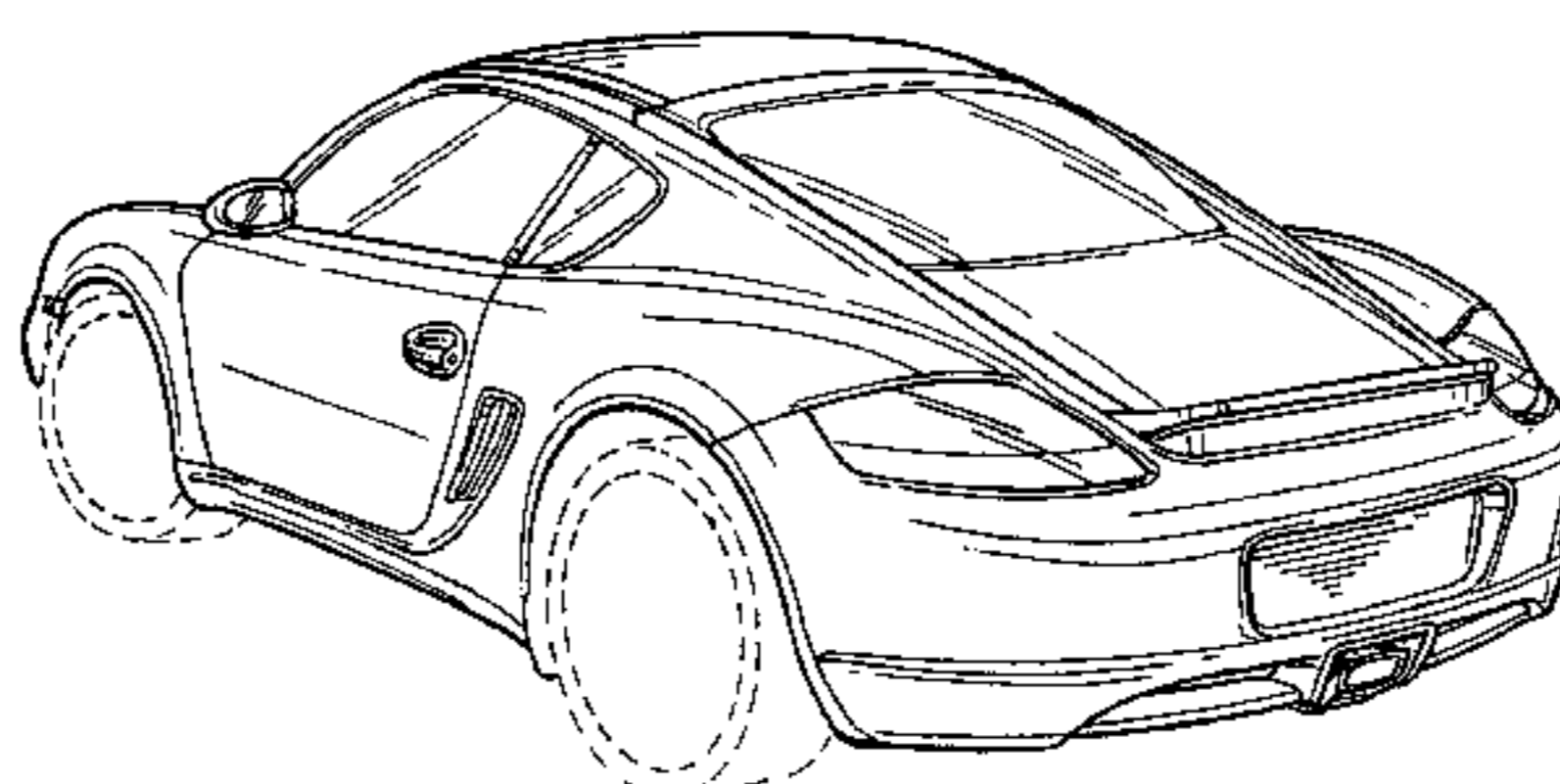
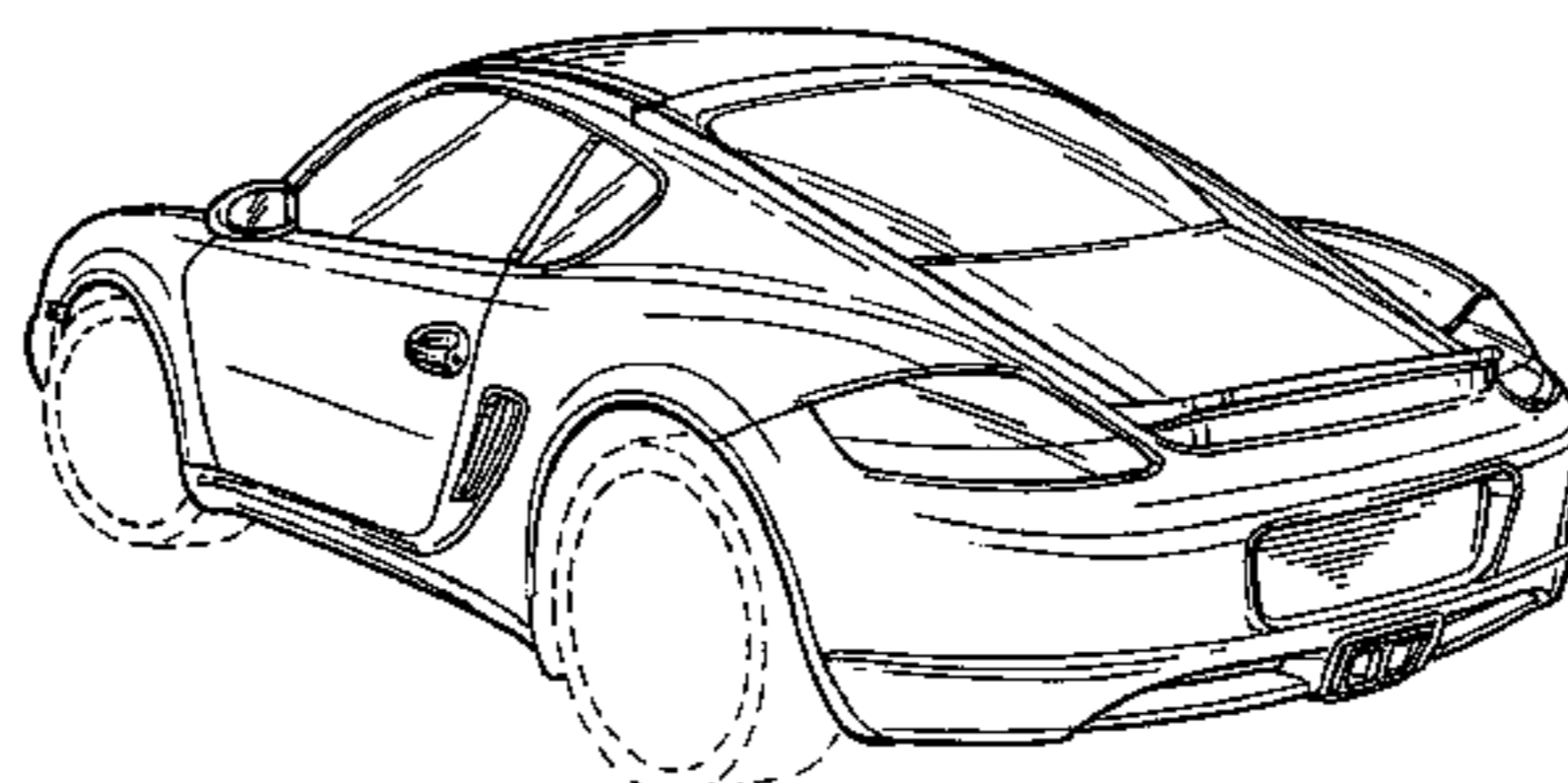
(56) **References Cited**

**U.S. PATENT DOCUMENTS**

|            |   |         |               |       |        |
|------------|---|---------|---------------|-------|--------|
| D411,139 S | * | 6/1999  | Lai           | ..... | D12/92 |
| D417,414 S | * | 12/1999 | Mobius et al. | ..... | D12/92 |
| D431,796 S | * | 10/2000 | Lagaay et al. | ..... | D12/92 |
| D436,061 S | * | 1/2001  | Mobius et al. | ..... | D12/92 |
| D438,145 S | * | 2/2001  | Hatter        | ..... | D12/92 |
| D449,254 S | * | 10/2001 | Larson        | ..... | D12/92 |
| D477,253 S | * | 7/2003  | Minami et al. | ..... | D12/92 |
| D480,021 S | * | 9/2003  | Warming       | ..... | D12/92 |
| D497,327 S | * | 10/2004 | Lai           | ..... | D12/92 |
| D507,207 S | * | 7/2005  | Larson        | ..... | D12/92 |
| D507,510 S | * | 7/2005  | Larson        | ..... | D12/92 |
| D514,984 S | * | 2/2006  | Lai           | ..... | D12/92 |
| D515,461 S | * | 2/2006  | Lai           | ..... | D12/92 |

\* cited by examiner

**1 Claim, 6 Drawing Sheets**



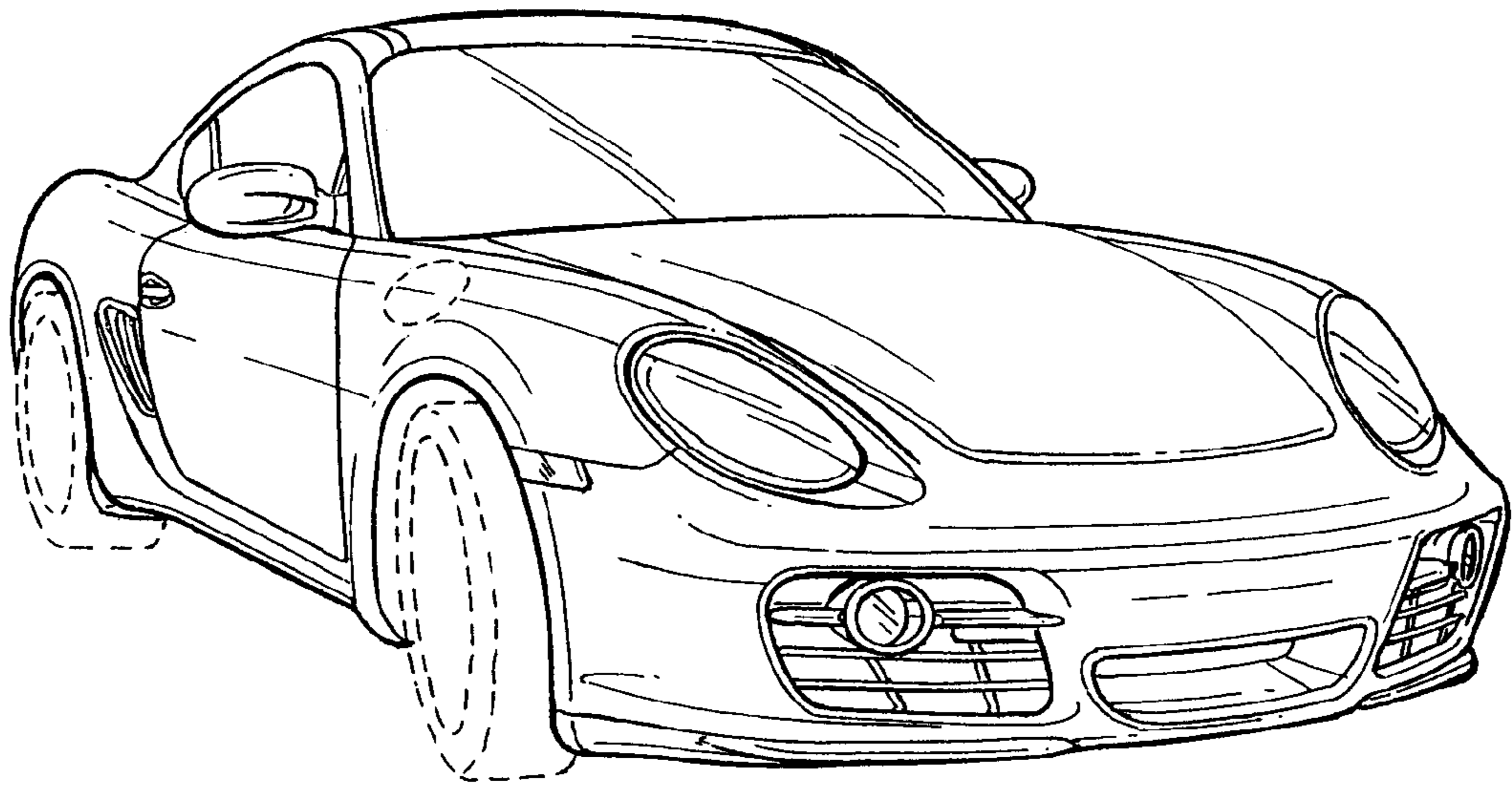


FIG. 1

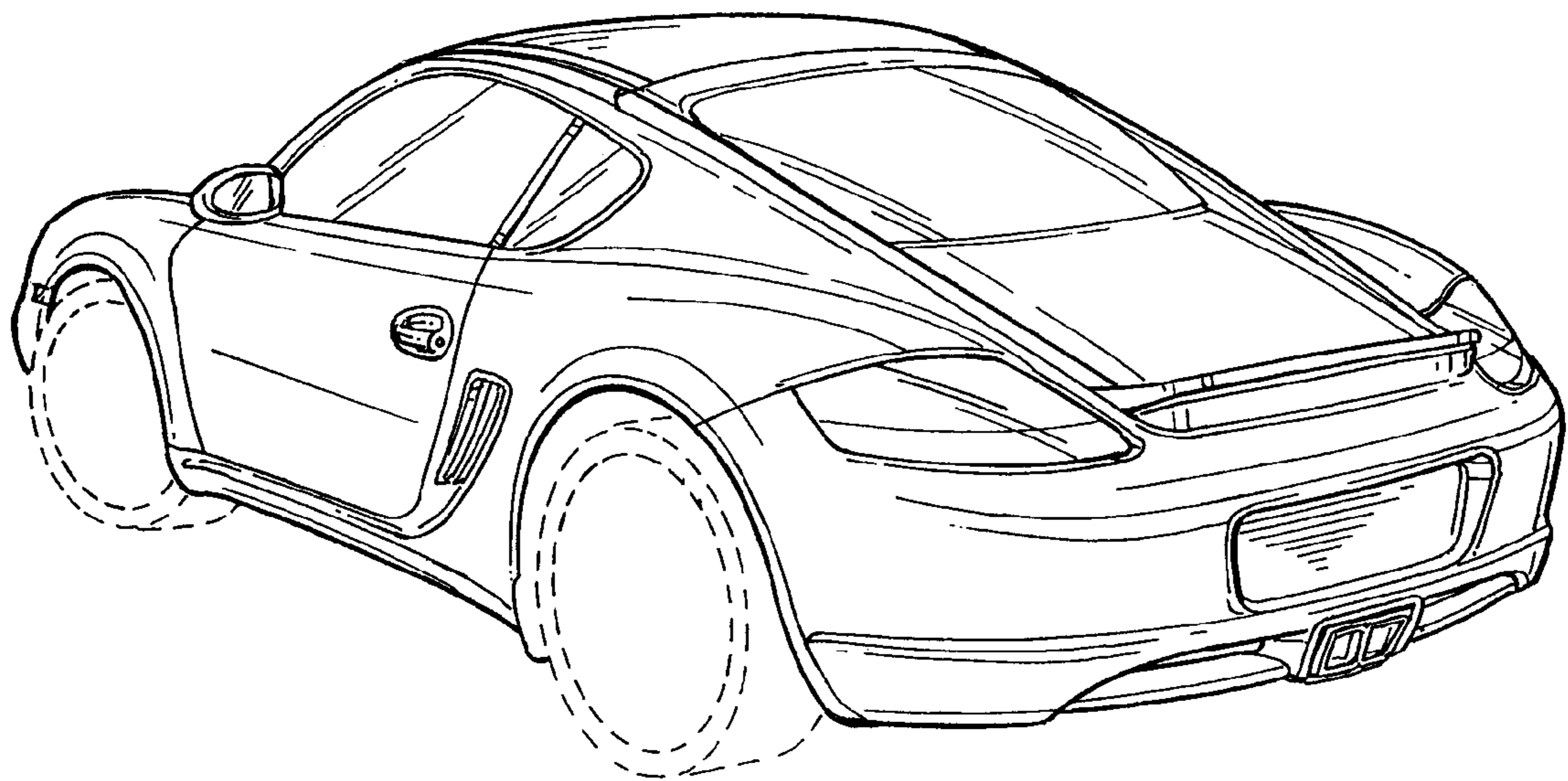


FIG. 2

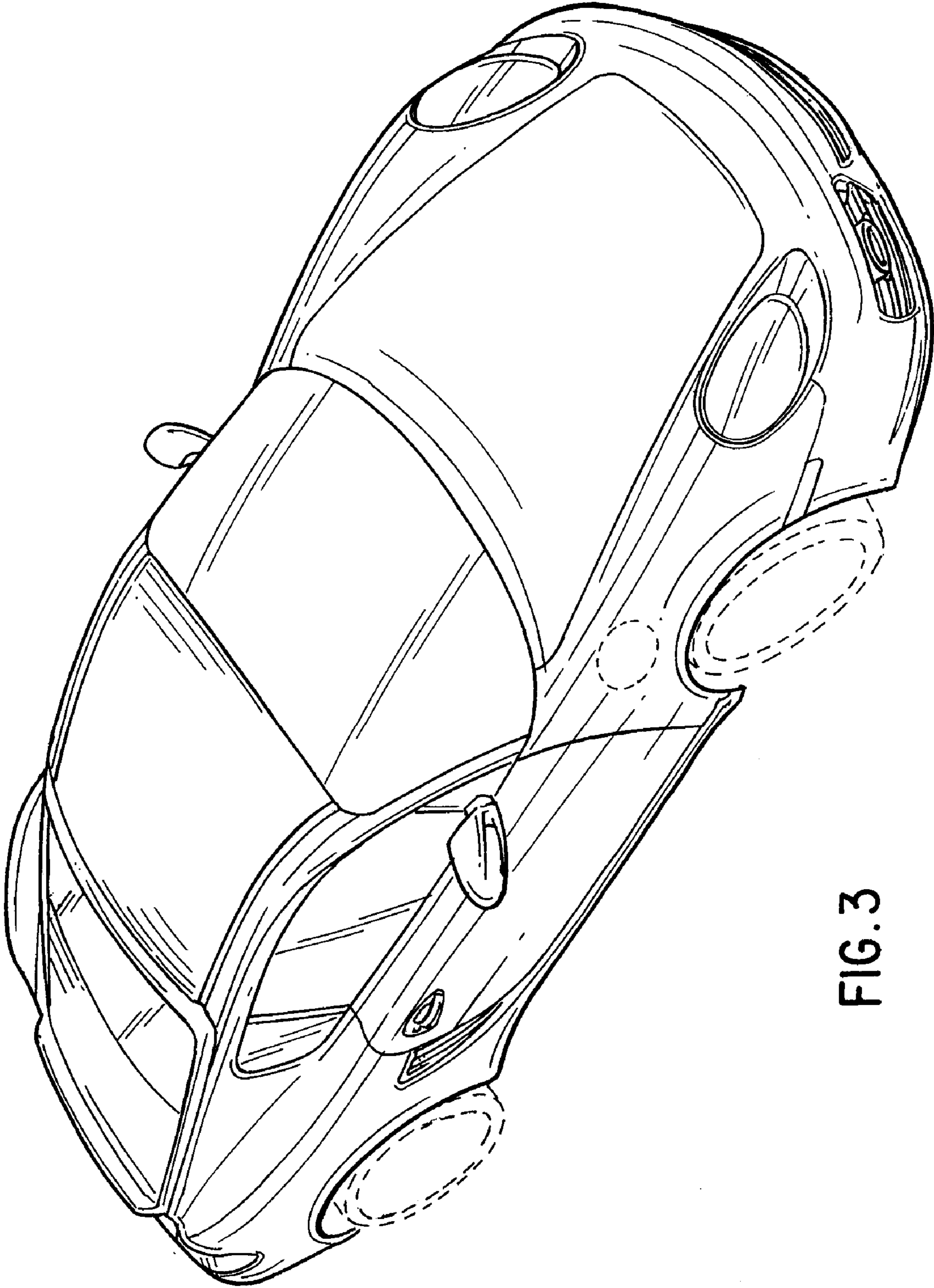


FIG. 3

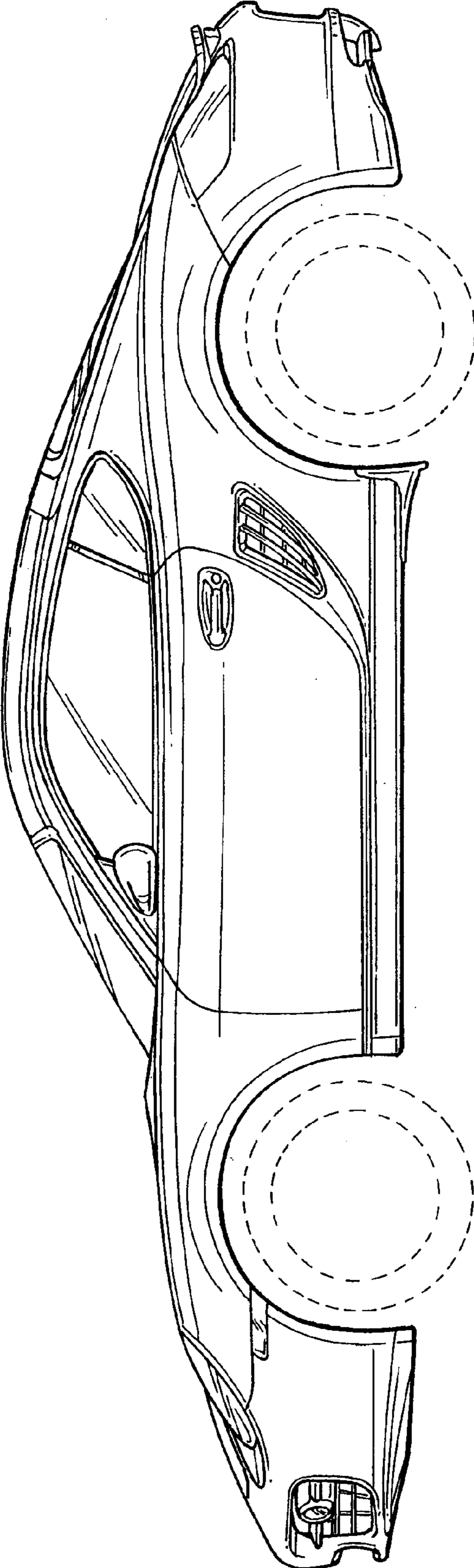


FIG. 4

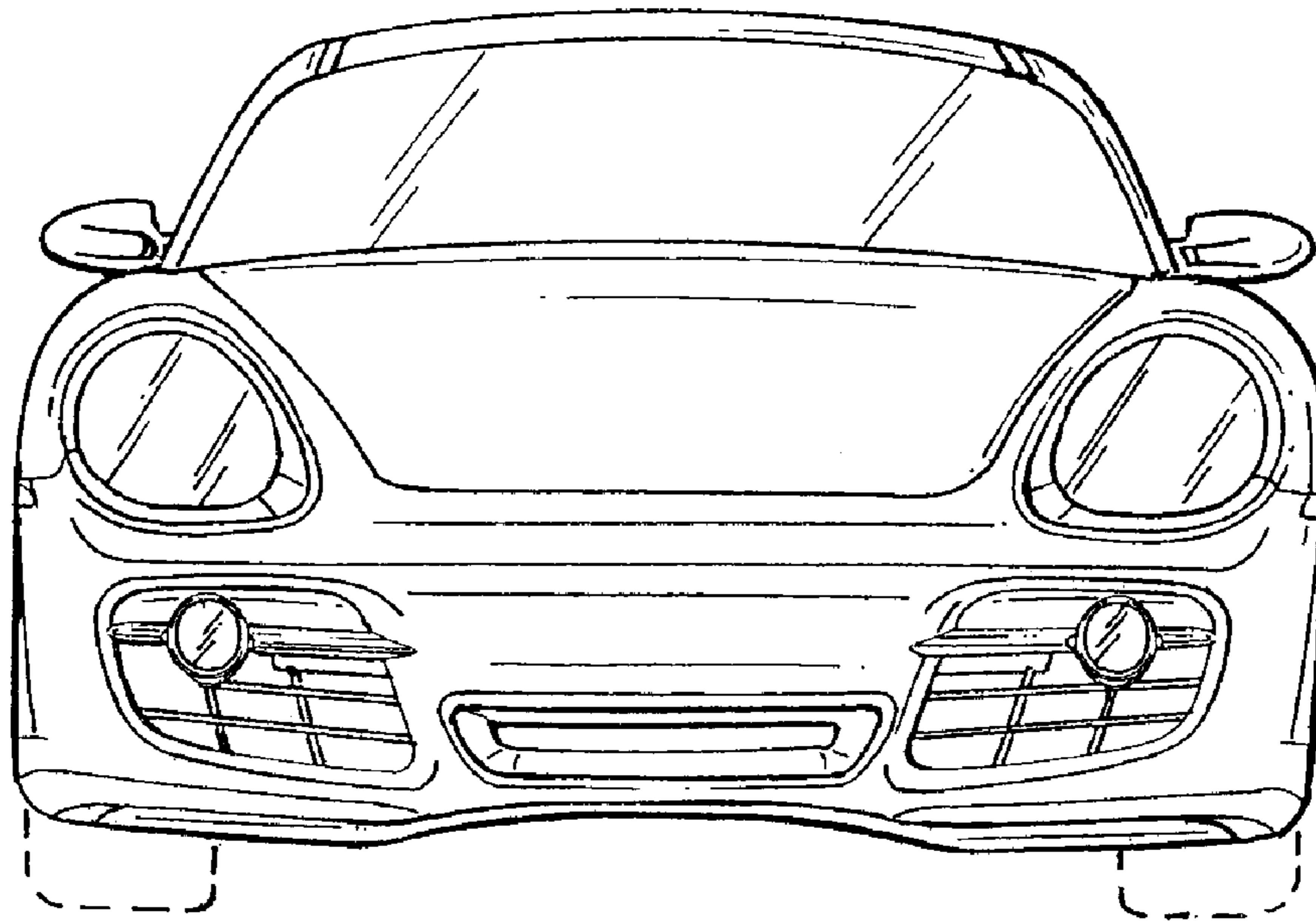


FIG. 5

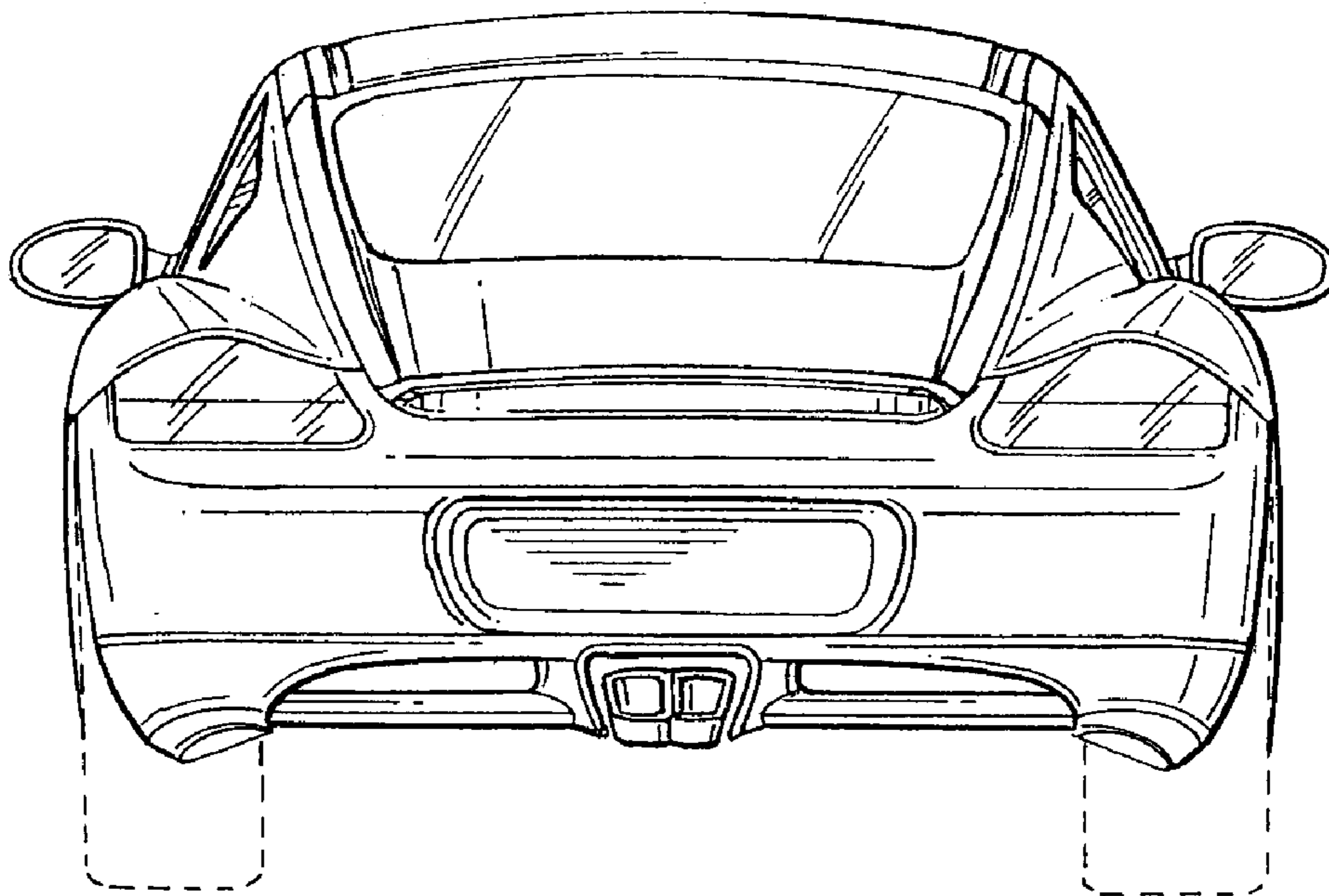


FIG. 6

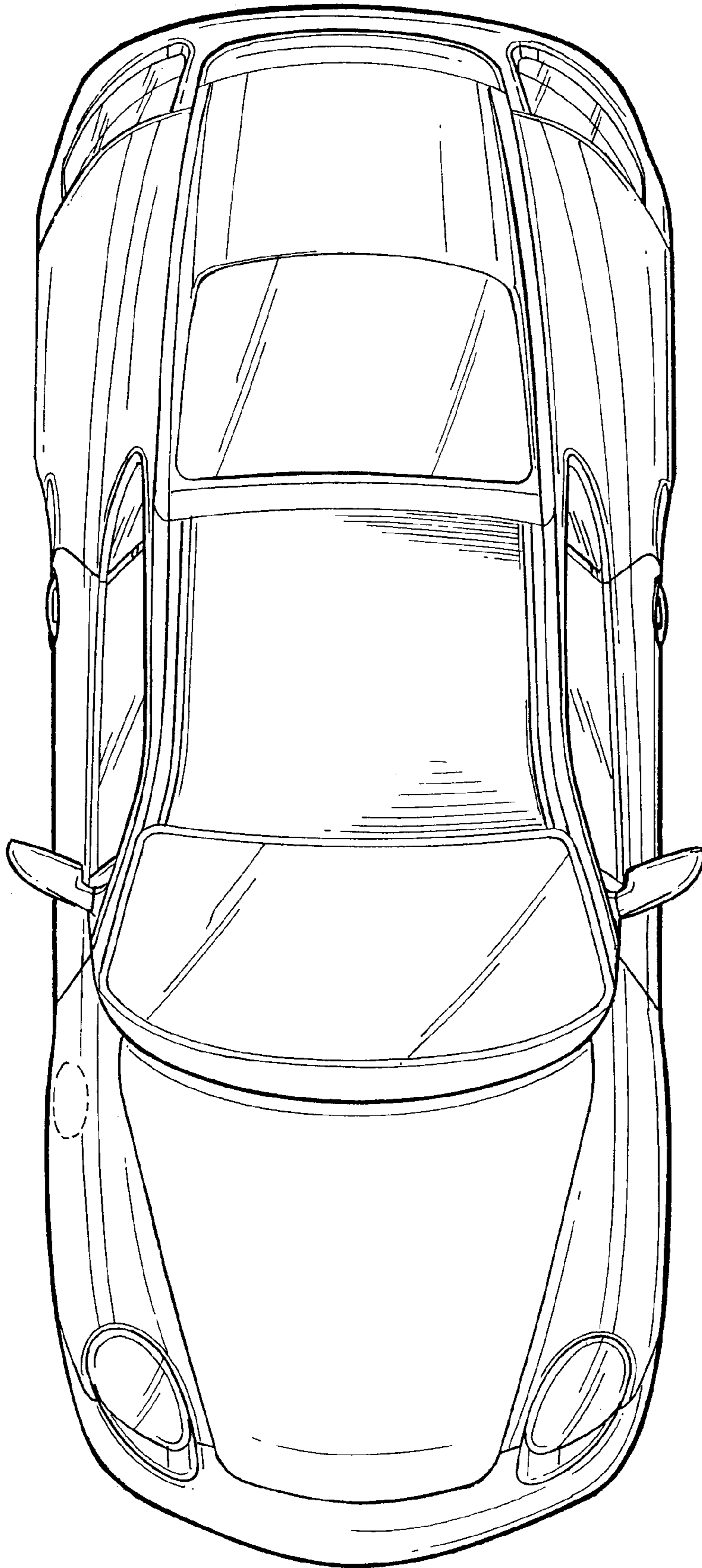


FIG. 7

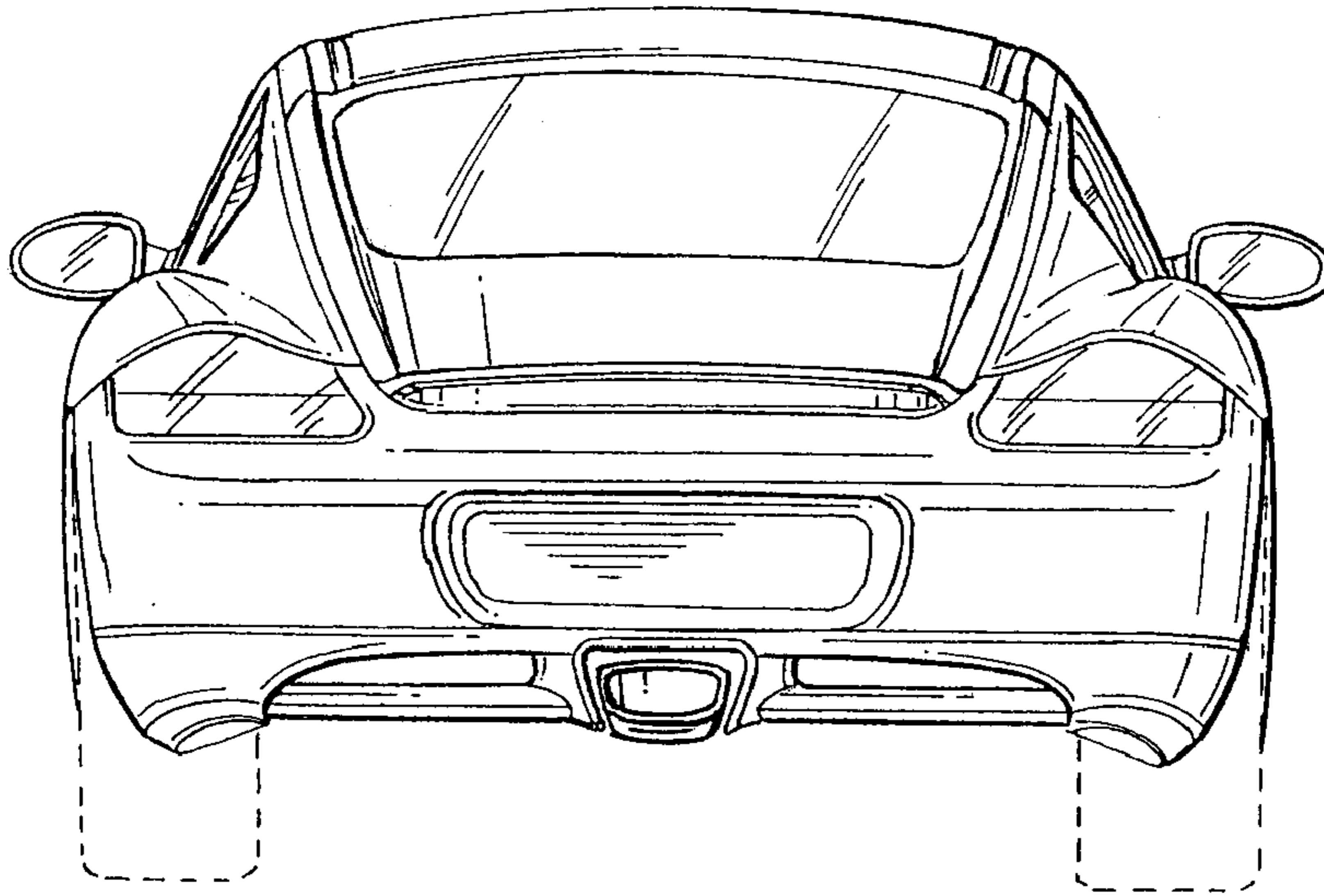


FIG. 8

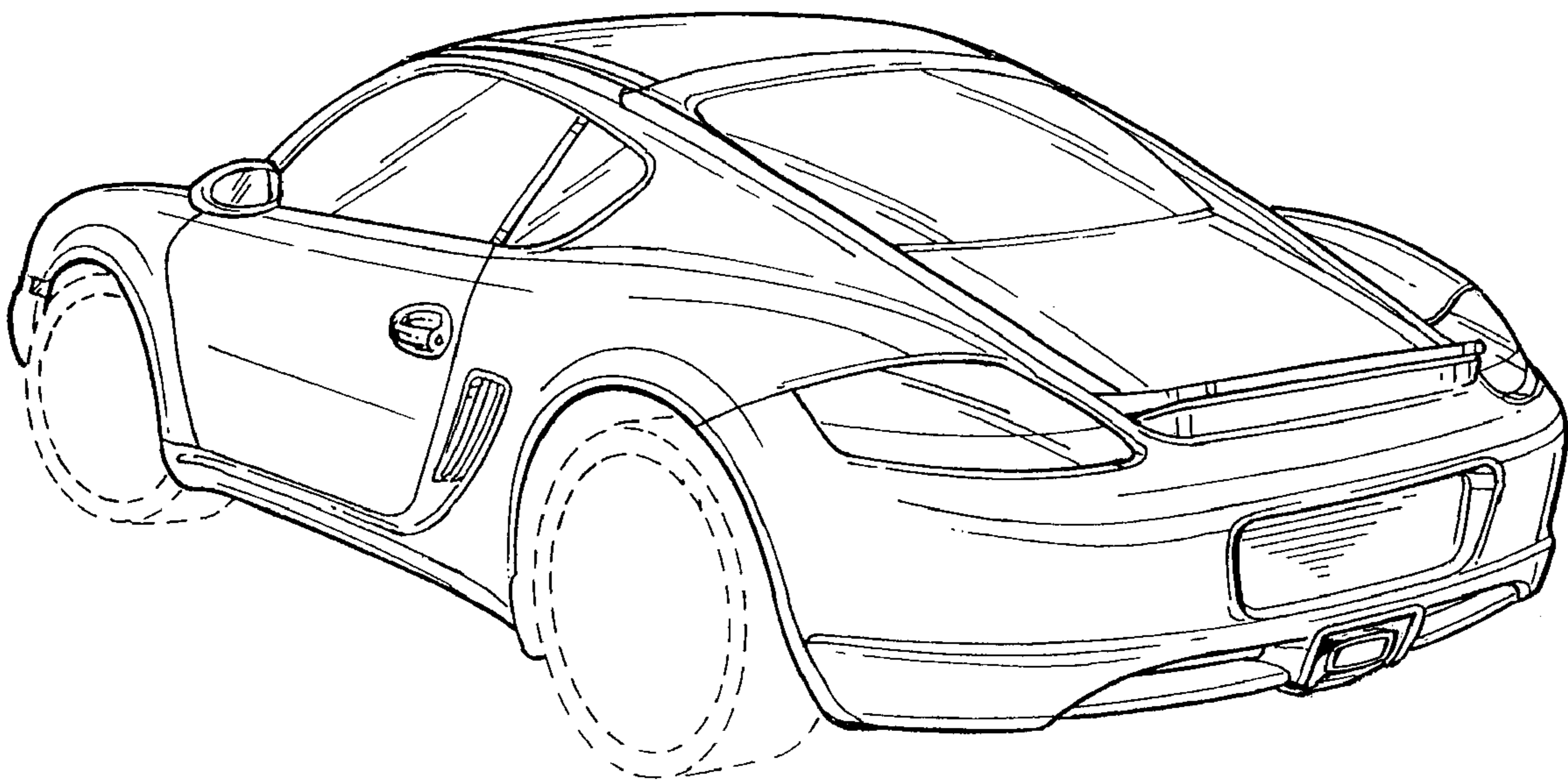


FIG. 9