

US00D526598S

(12) **United States Design Patent**
Singer et al.

(10) **Patent No.:** **US D526,598 S**

(45) **Date of Patent:** **** Aug. 15, 2006**

(54) **SURFACE CONFIGURATION OF A
VEHICLE, TOY, AND/OR OTHER REPLICAS**

(75) Inventors: **Norbert Singer**, Vaihingen (DE);
Oliver Stoffels, Gerlingen (DE);
Dieter-Georg Steinhauser, Remshalden
(DE)

(73) Assignee: **Dr. Ing. h.c.F. Porsche**
Aktiengesellschaft, Stuttgart (DE)

(**) Term: **14 Years**

(21) Appl. No.: **29/237,852**

(22) Filed: **Sep. 8, 2005**

(30) **Foreign Application Priority Data**

Mar. 9, 2005 (DE) 4 05 01 347

(51) **LOC (8) Cl.** **12-08**

(52) **U.S. Cl.** **D12/88**

(58) **Field of Classification Search** D12/86-88,
D12/92; D21/424, 433, 548-550; 296/185
See application file for complete search history.

(56) **References Cited**

U.S. PATENT DOCUMENTS

D260,913 S * 9/1981 Chapman D21/550
D268,940 S * 5/1983 Head D12/88
D275,940 S * 10/1984 Ogilvie D21/550
D365,782 S * 1/1996 Reynard et al. D12/88

D438,144 S * 2/2001 Hettler D12/88
D465,814 S * 11/2002 Koveleski D21/433
D471,489 S * 3/2003 Greenfield D12/88
D506,415 S * 6/2005 Byrne D12/88

* cited by examiner

Primary Examiner—Melody N. Brown

(74) *Attorney, Agent, or Firm*—Crowell & Moring LLP

(57) **CLAIM**

The ornamental design for a surface configuration of a vehicle, toy, and/or other replicas, as shown and described.

DESCRIPTION

FIG. 1 is a left, front perspective view of a surface configuration of a vehicle, toy, and/or other replicas according to our novel design, the right, front perspective view of the side portion being mirror symmetrical;

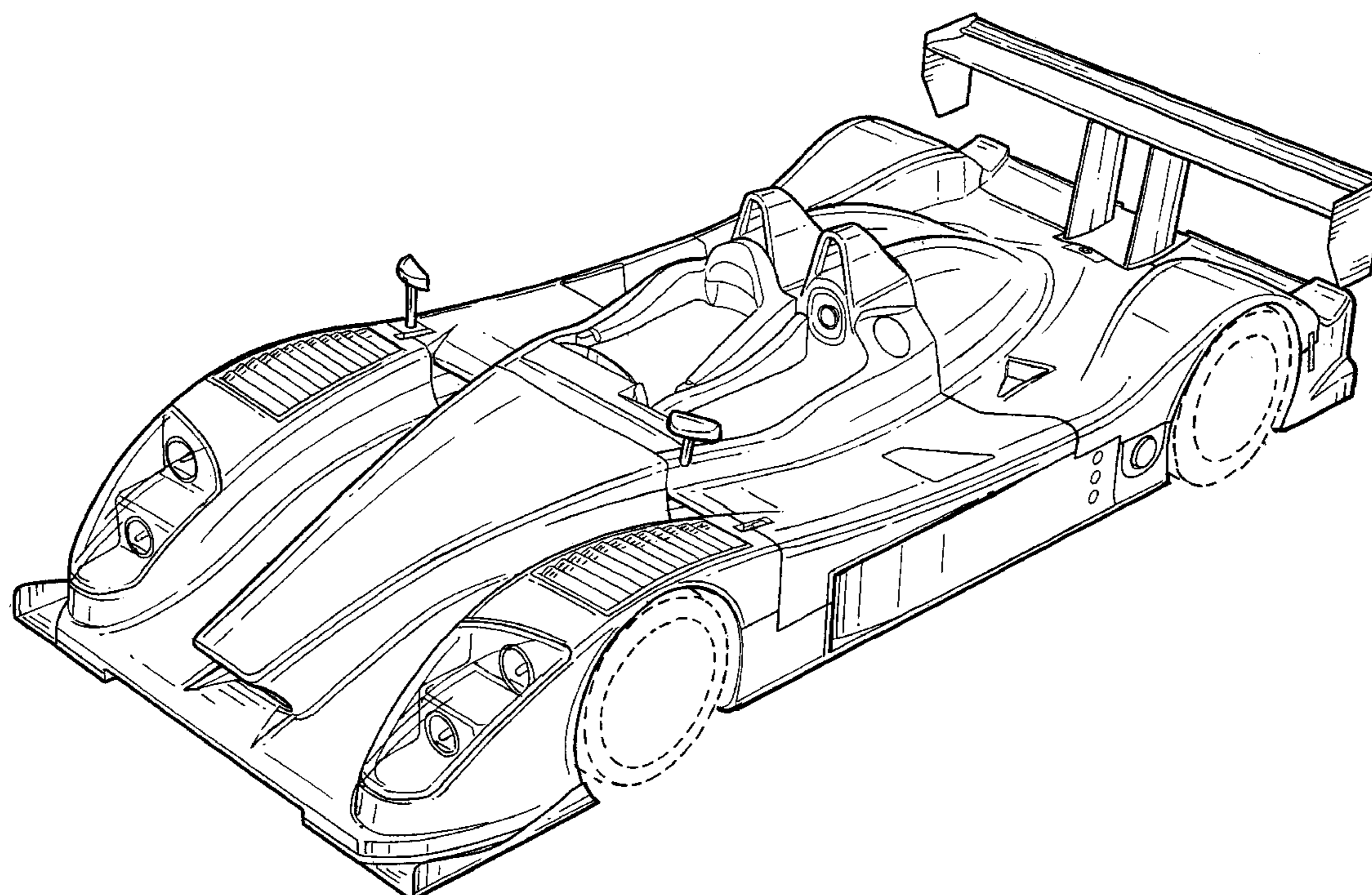
FIG. 2 is a left side view of the surface configuration of a vehicle, toy, and/or other replicas according to our novel design, the right side view of the side portion being mirror symmetrical;

FIG. 3 is a front view of the surface configuration of a vehicle, toy, and/or other replicas according to our novel design; and,

FIG. 4 is a rear view of the surface configuration of a vehicle, toy, and/or other replicas according to our novel design.

The broken lines are for illustrative purposes only and form no part of the claimed design.

1 Claim, 3 Drawing Sheets



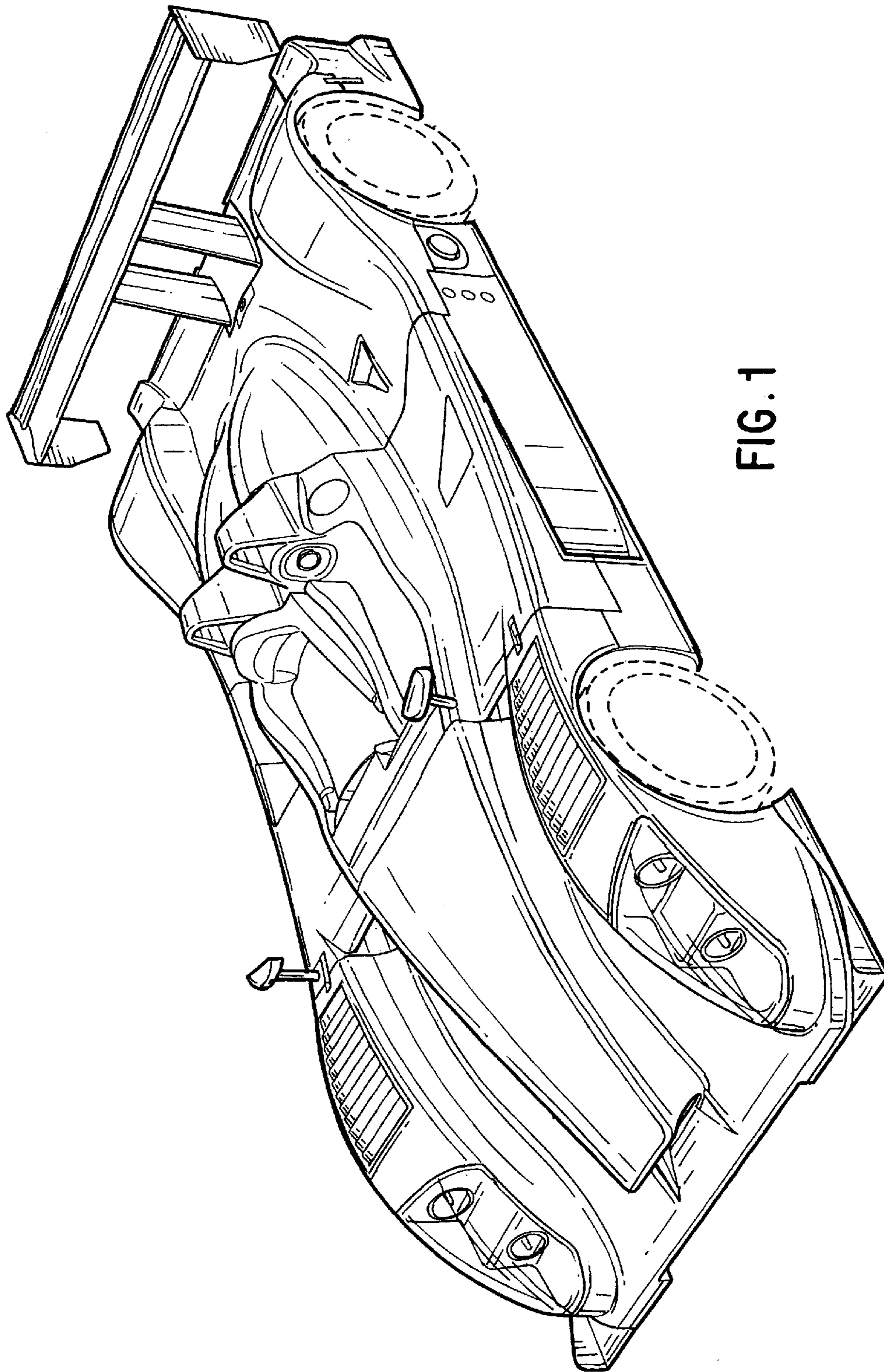


FIG. 1

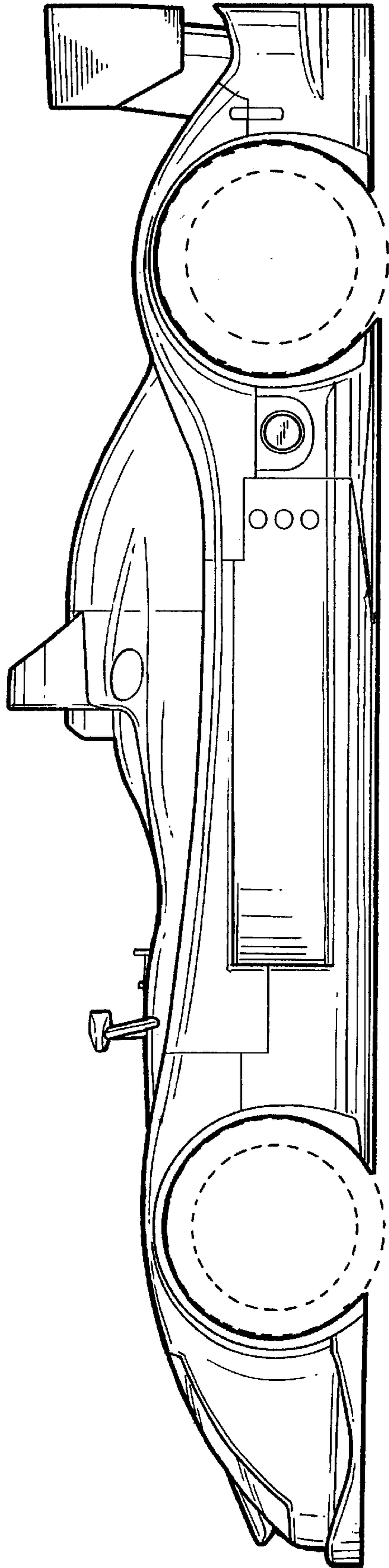


FIG. 2

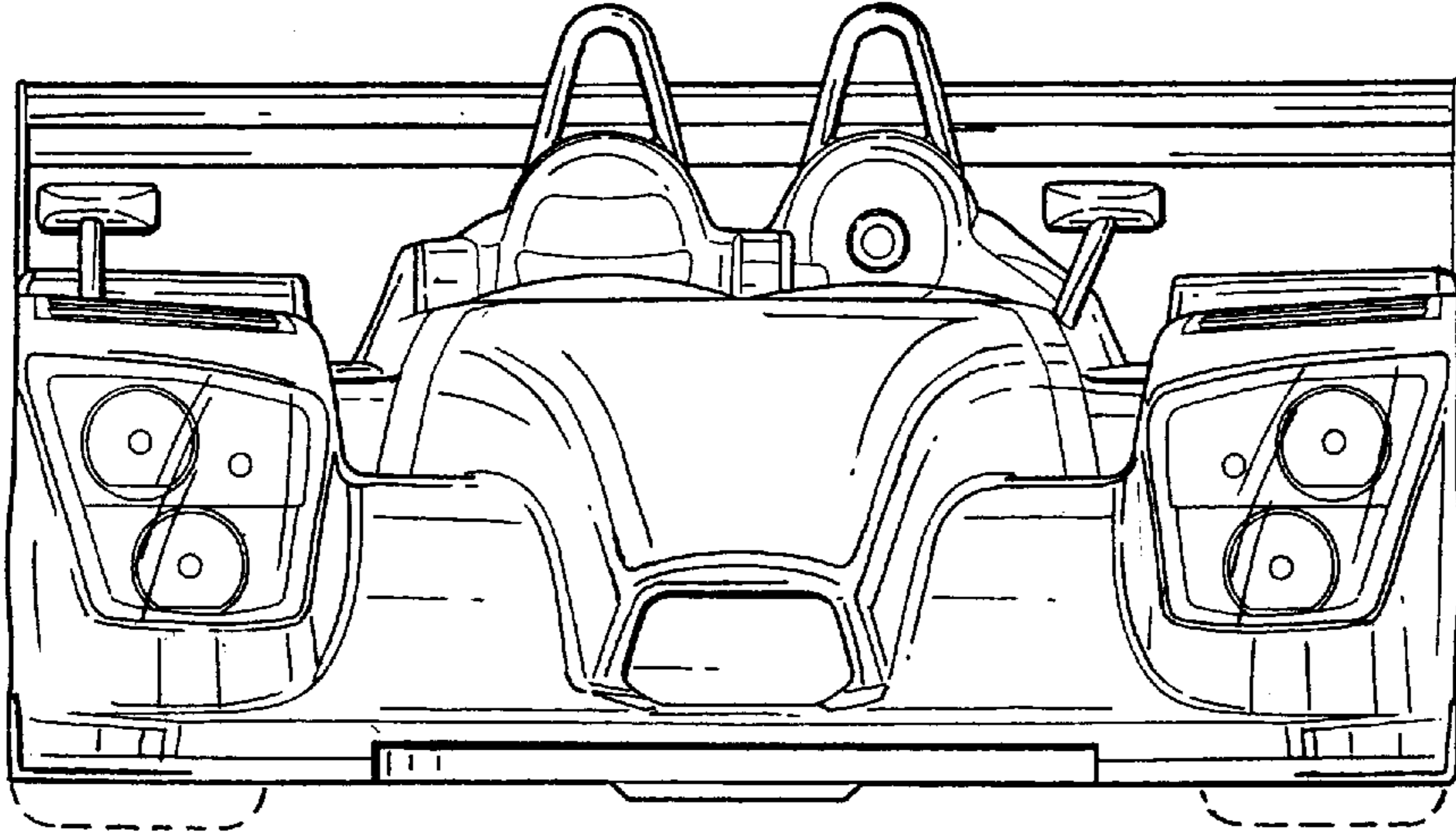


FIG. 3

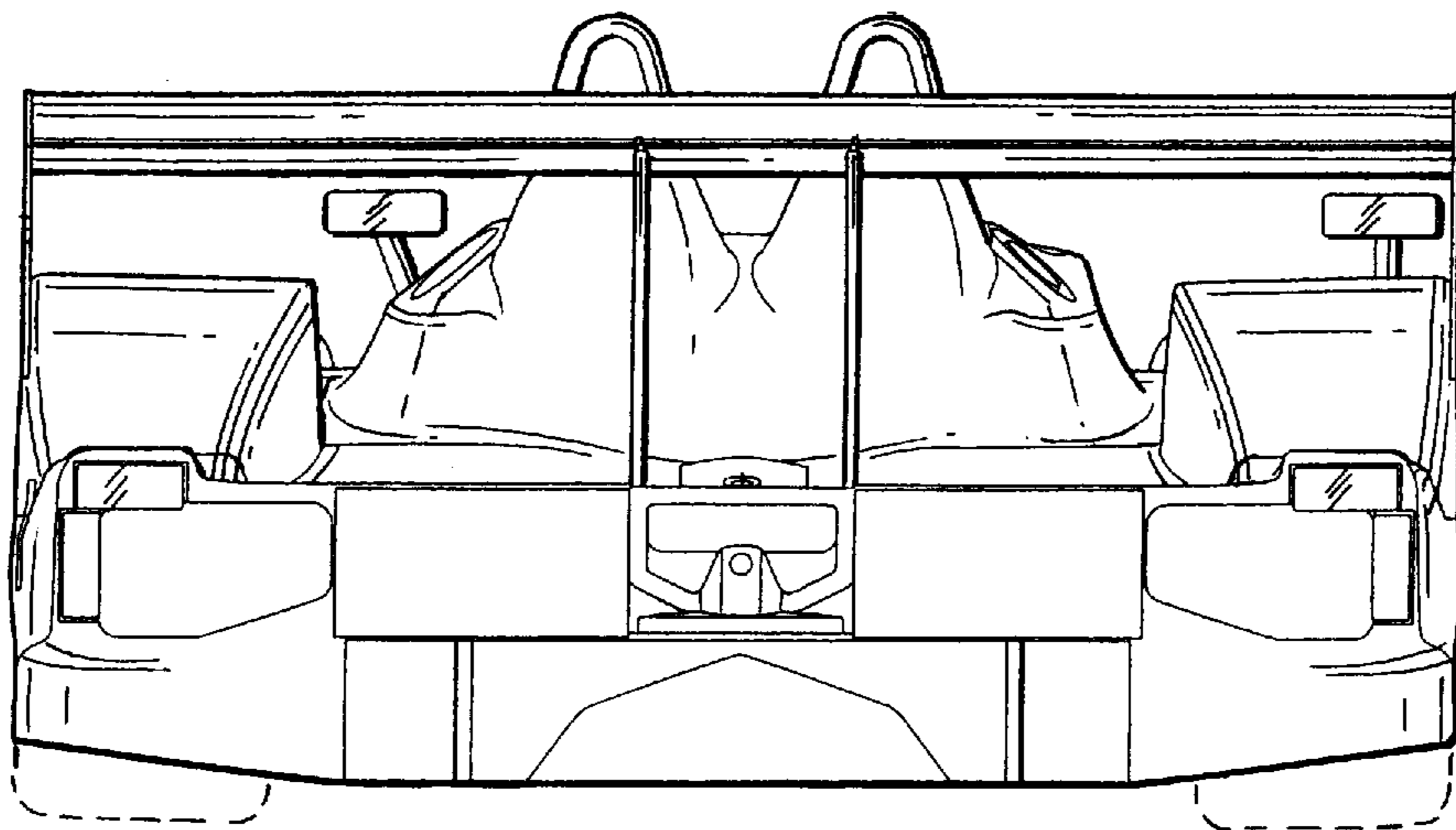


FIG. 4