



US00D526591S

(12) **United States Design Patent**
Jerovsek

(10) **Patent No.:** **US D526,591 S**

(45) **Date of Patent:** **** Aug. 15, 2006**

(54) **APPLIANCE GAUGE FACE**

(75) Inventor: **David Alan Jerovsek**, Grand Haven,
MI (US)

(73) Assignee: **Robertshaw Controls Company**,
Richmond, VA (US)

(**) Term: **14 Years**

(21) Appl. No.: **29/217,955**

(22) Filed: **Nov. 23, 2004**

(51) **LOC (8) Cl.** **10-07**

(52) **U.S. Cl.** **D10/126**

(58) **Field of Classification Search** 368/223,
368/228-232, 239-242, 276-278, 280-286,
368/294, 295, 316, 10, 21, 37, 28-30, 63,
368/72, 73, 80, 110, 113, 82-84; 374/317,
374/141, 151, 155, 163, 206, 208; 219/398;
236/15 A; 337/311, 323; D10/50, 57, 60,
D10/102, 103, 123, 125, 126, 1-29, 30-39,
D10/122-132; 73/431, 499, 866.3

See application file for complete search history.

(56) **References Cited**

U.S. PATENT DOCUMENTS

D297,621 S * 9/1988 Teves D10/4

D308,343 S * 6/1990 Aloise et al. D10/57
D381,919 S * 8/1997 Stecher D10/24
D407,325 S * 3/1999 Waring D10/21
D513,196 S * 12/2005 Lazaretnik D10/39

* cited by examiner

Primary Examiner—Antoine D. Davis

Assistant Examiner—Patricia Palasik

(74) *Attorney, Agent, or Firm*—Reinhart Boerner Van
Deuren

(57) **CLAIM**

The ornamental design for an appliance gauge face, as
shown and described.

DESCRIPTION

FIG. 1 is a front elevational view of an appliance gauge face
according to the design of the present invention.

The broken line showing is for illustrative purposes only and
forms no part of the claim design.

1 Claim, 1 Drawing Sheet

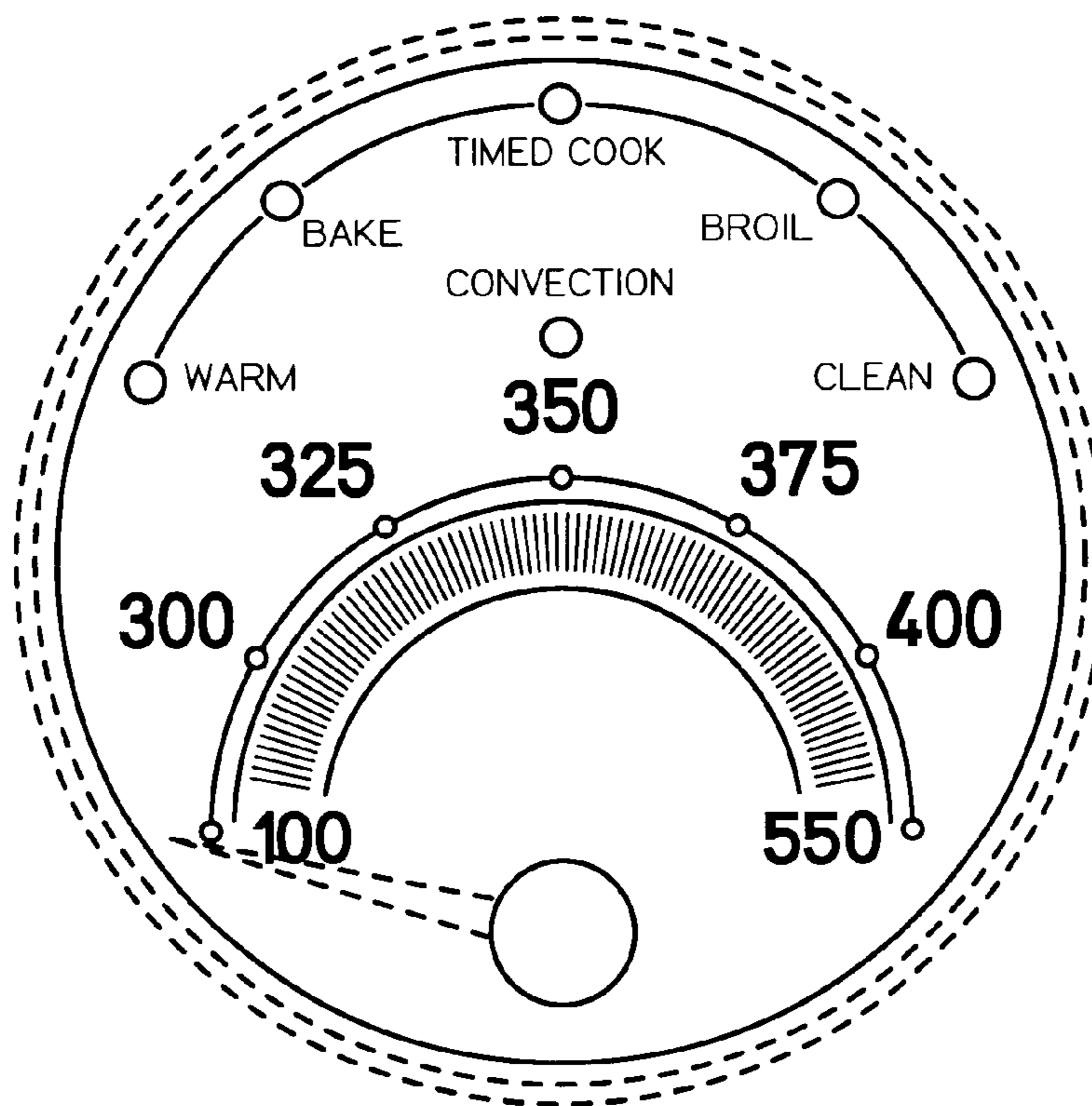


FIG. 1

