



US00D526590S

(12) **United States Design Patent**  
**So**

(10) **Patent No.:** **US D526,590 S**

(45) **Date of Patent:** **\*\* Aug. 15, 2006**

(54) **RECEIVER FOR ELECTRONIC FENCE SYSTEM**

(76) Inventor: **Ho Yun So**, 8-1006 Kwangjang Apt.,  
28 Youido-Dong, Yongdungpo-gu, Seoul  
150-762 (KR)

(\*\*) Term: **14 Years**

(21) Appl. No.: **29/199,222**

(22) Filed: **Feb. 10, 2004**

(51) **LOC (8) Cl.** ..... **10-05**

(52) **U.S. Cl.** ..... **D10/104**

(58) **Field of Classification Search** ..... D10/104,  
D10/121; D13/101, 110, 111, 112, 125, 164,  
D13/184, 199; 119/714, 719, 720, 857, 859;  
340/384.1, 384.6, 384.7, 561  
See application file for complete search history.

(56) **References Cited**

**U.S. PATENT DOCUMENTS**

5,207,178 A	*	5/1993	McDade et al.	119/859
D366,457 S	*	1/1996	Pilcher	D13/162
D376,553 S	*	12/1996	Heun	D10/104
D380,692 S	*	7/1997	Heun	D10/104
D410,206 S	*	5/1999	Slater	D10/104
6,003,474 A		12/1999	Slater et al.	119/859
6,019,066 A	*	2/2000	Taylor	119/720

6,073,589 A	*	6/2000	Curen et al.	119/720
D439,708 S	*	3/2001	Jenkins	D30/152
D469,029 S		1/2003	So	D10/104
D473,481 S		4/2003	So	D10/104
D478,830 S		8/2003	So	D10/104
2003/0115740 A1		6/2003	Brune et al.	29/592.1

\* cited by examiner

*Primary Examiner*—Stella Reid

*Assistant Examiner*—Derrick Holland

(74) *Attorney, Agent, or Firm*—Sheridan Ross P.C.

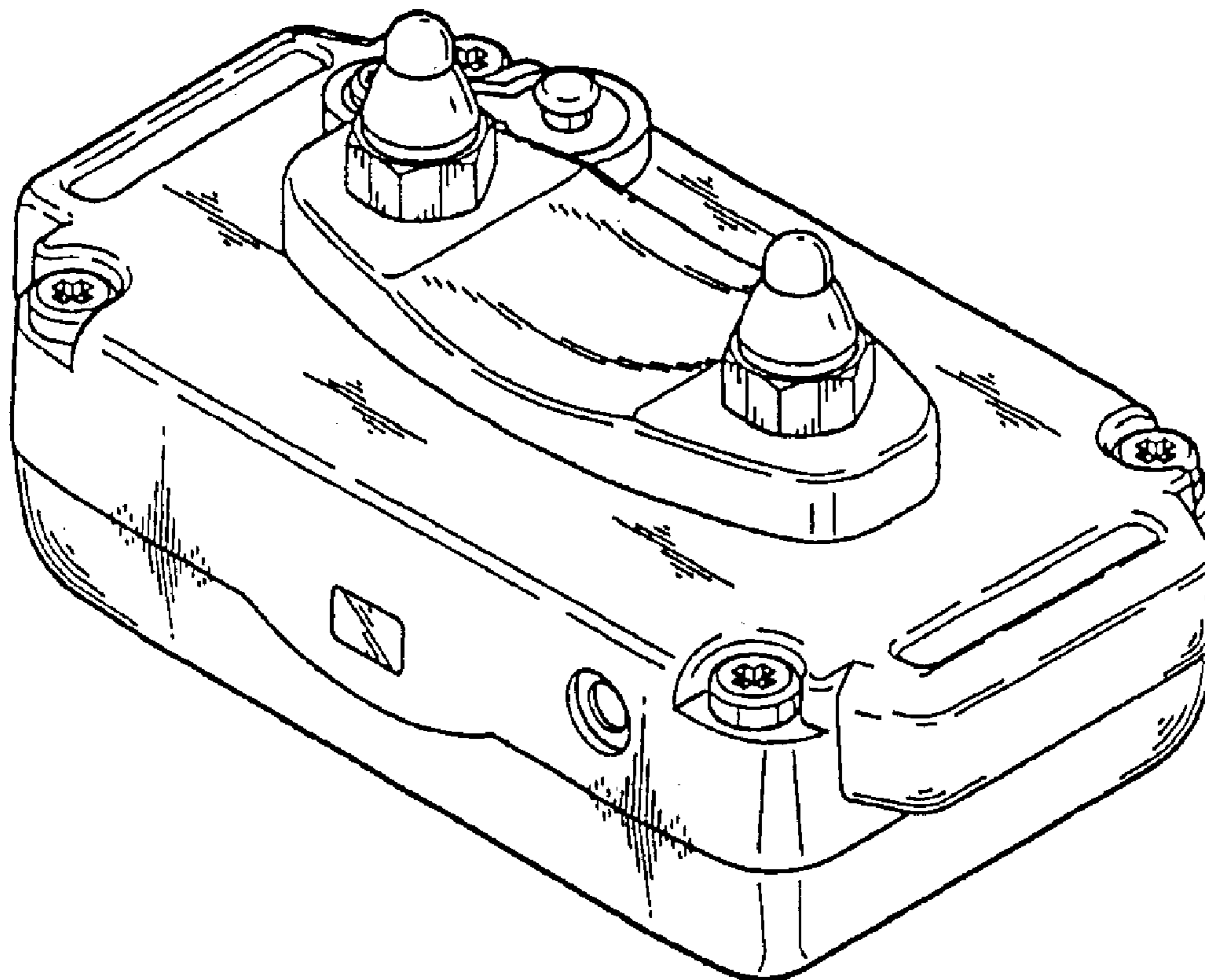
(57) **CLAIM**

The ornamental design for a receiver for electronic fence system, as shown and described.

**DESCRIPTION**

FIG. 1 is a perspective view of a receiver for electronic fence system showing our new design;  
FIG. 2 is a front elevational view thereof;  
FIG. 3 is a rear elevational view thereof;  
FIG. 4 is a left side elevational view thereof;  
FIG. 5 is a right side elevational view thereof;  
FIG. 6 is a top plan view thereof;  
FIG. 7 is a bottom plan view thereof; and,  
FIG. 8 is a front perspective view of the receiver for electronic fence system of FIG. 1 shown with environment, the broken lines forming no part of the claimed design.

**1 Claim, 5 Drawing Sheets**



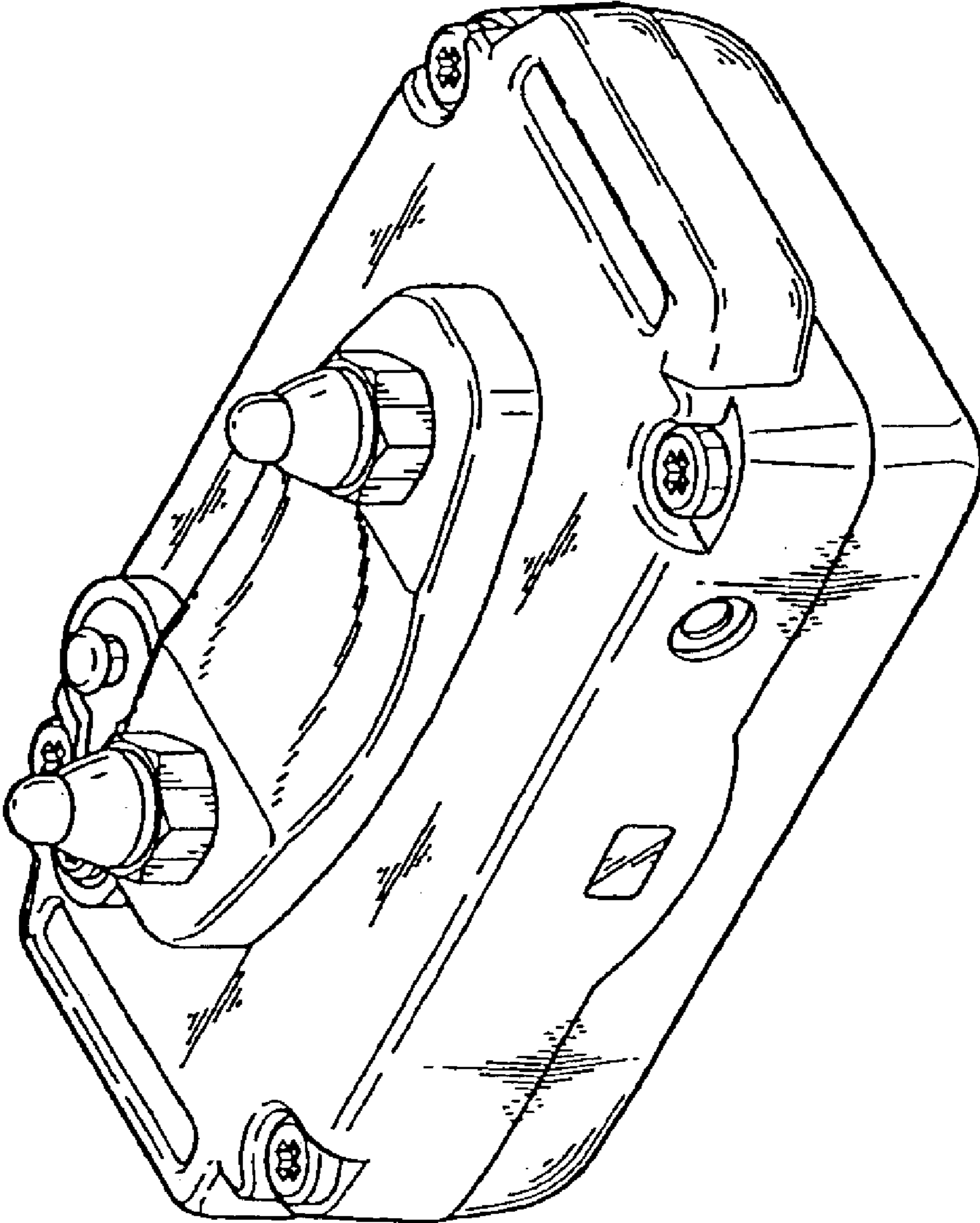
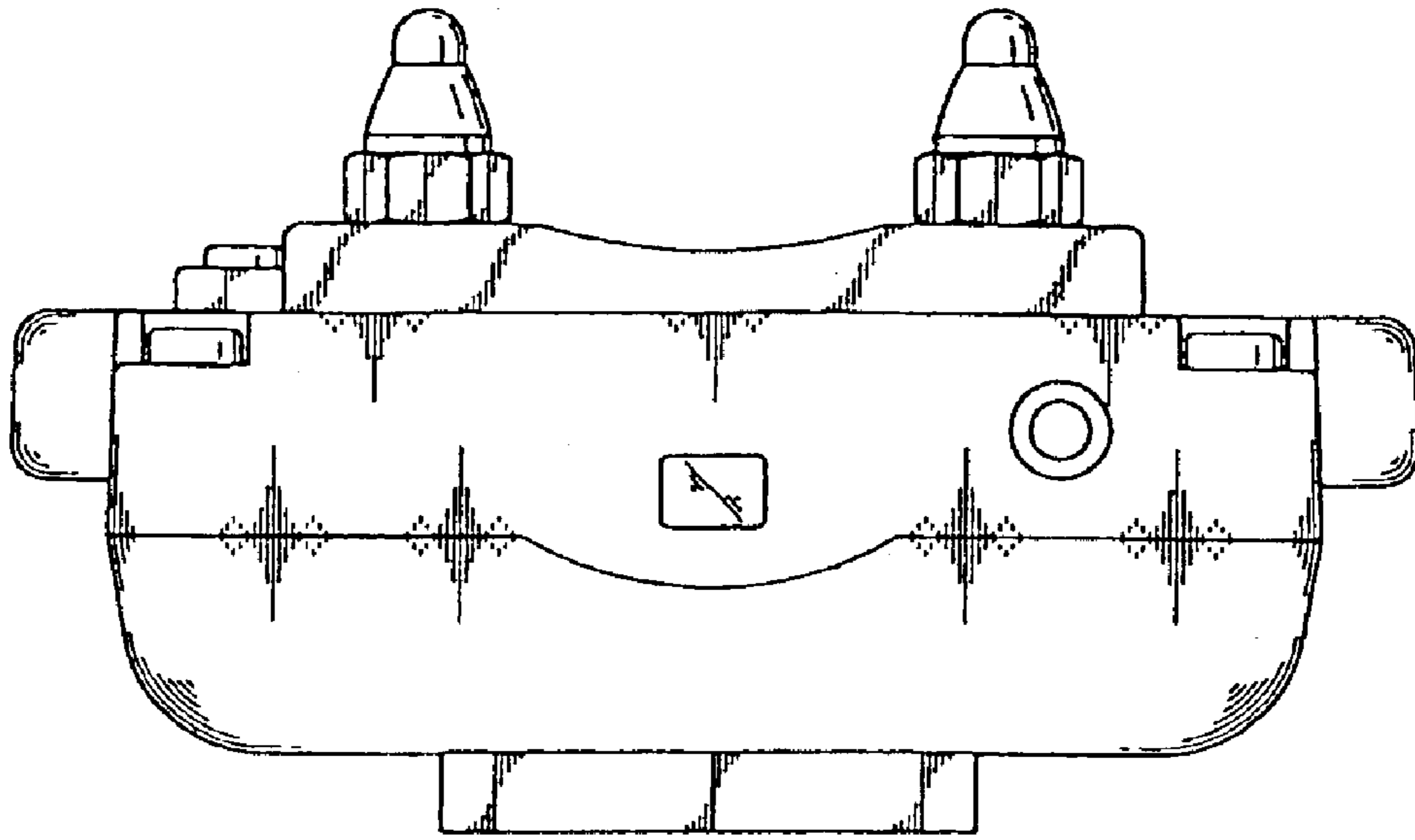
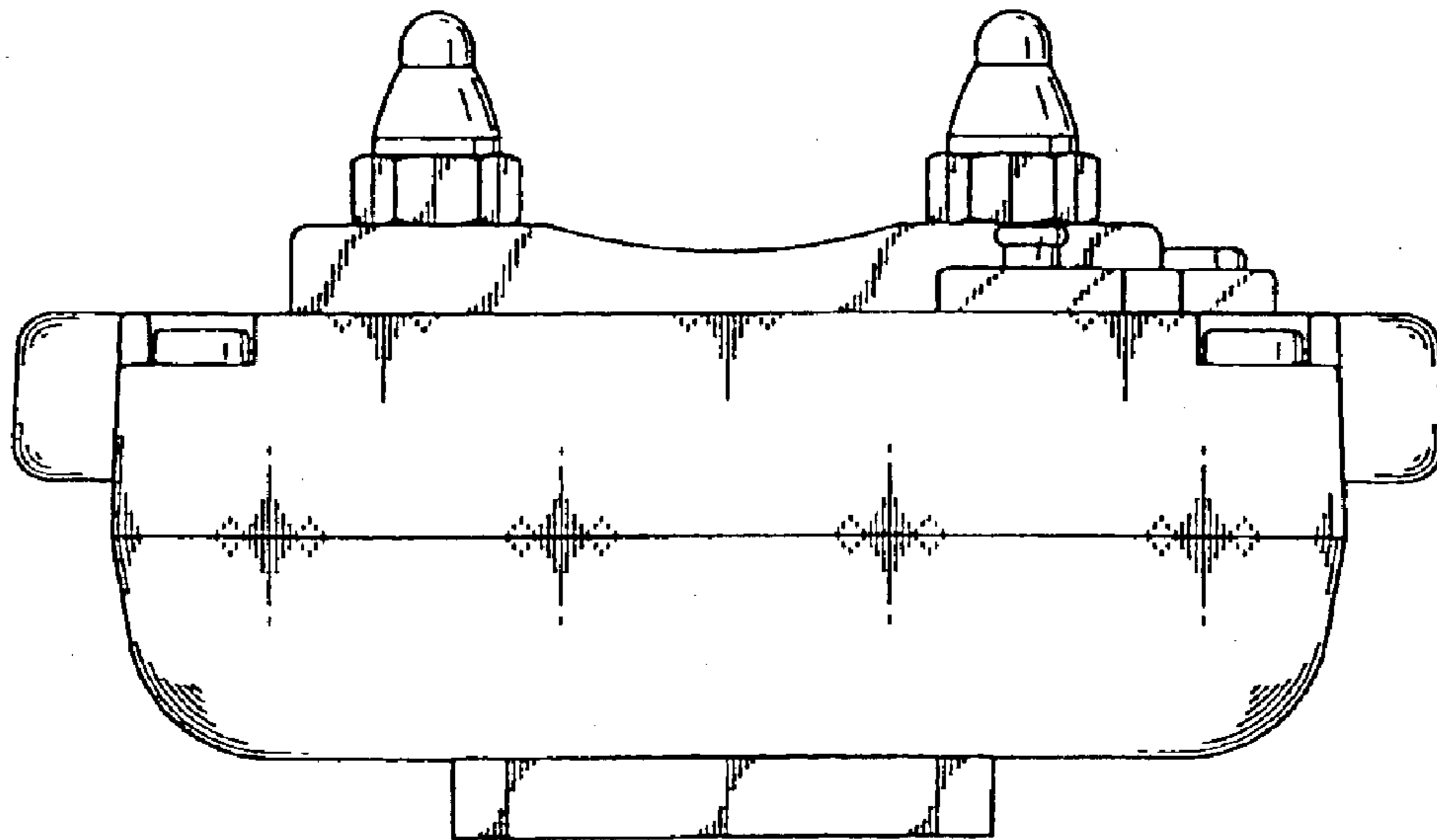


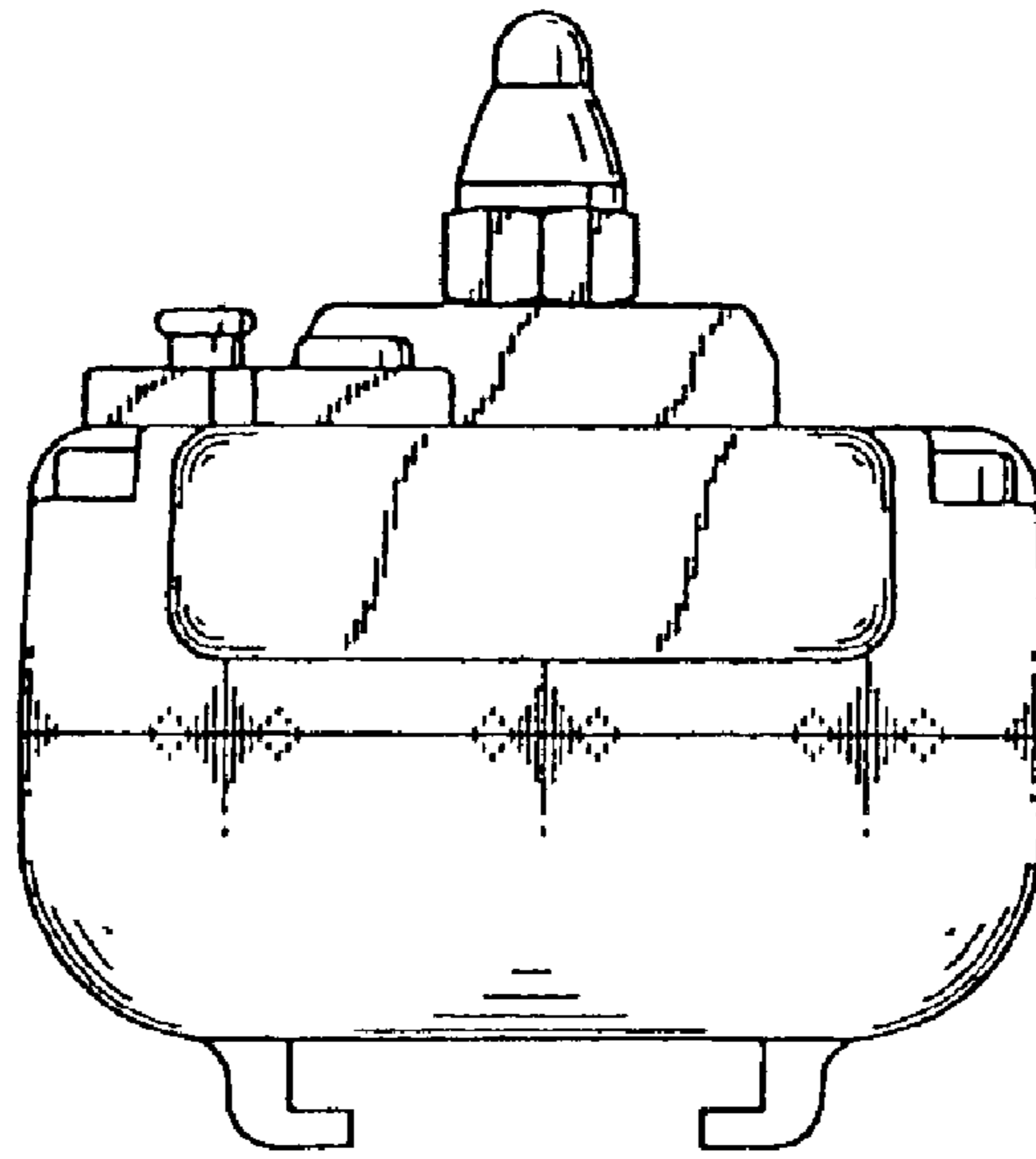
Fig. 1



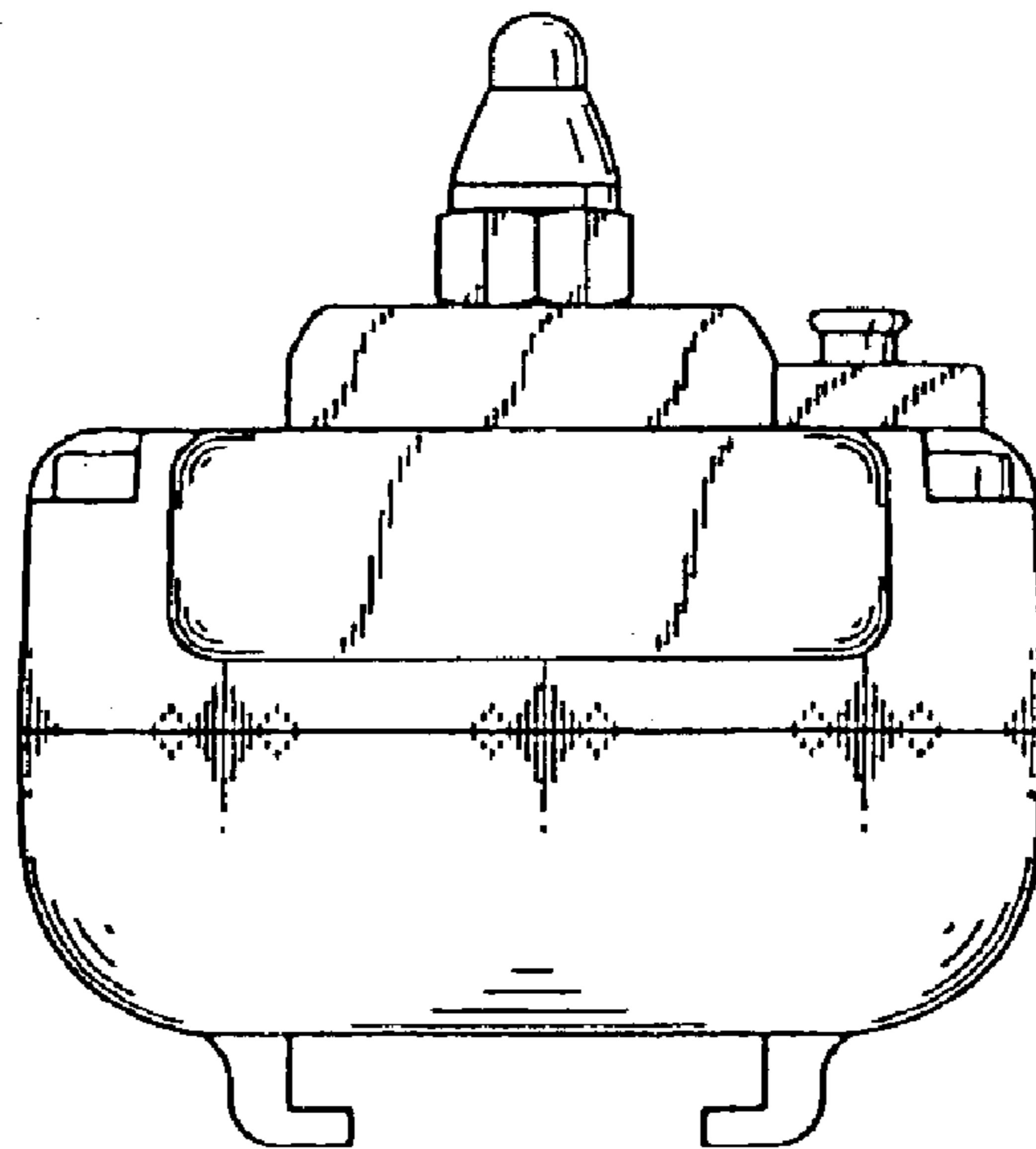
*Fig. 2*



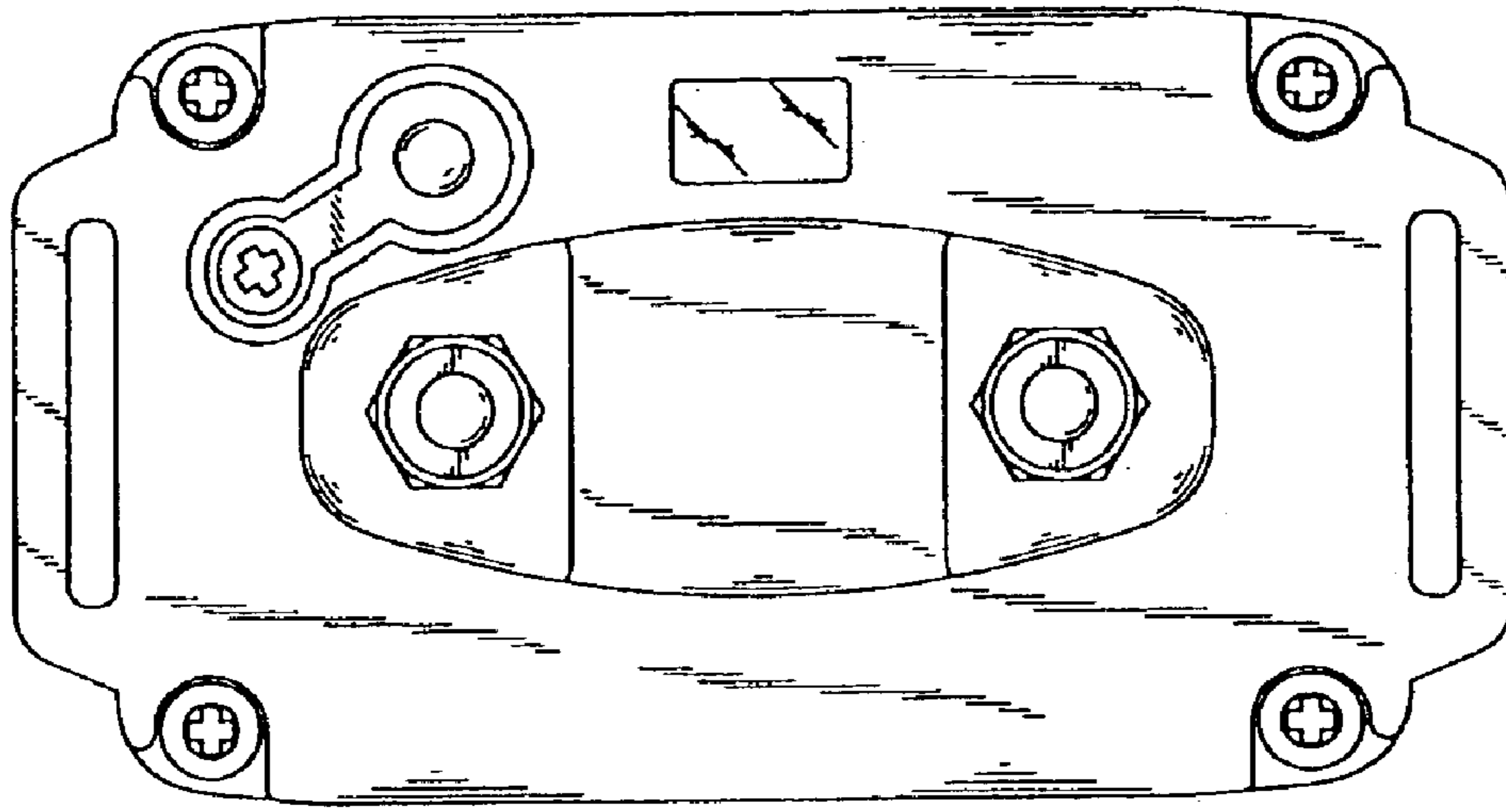
*Fig. 3*



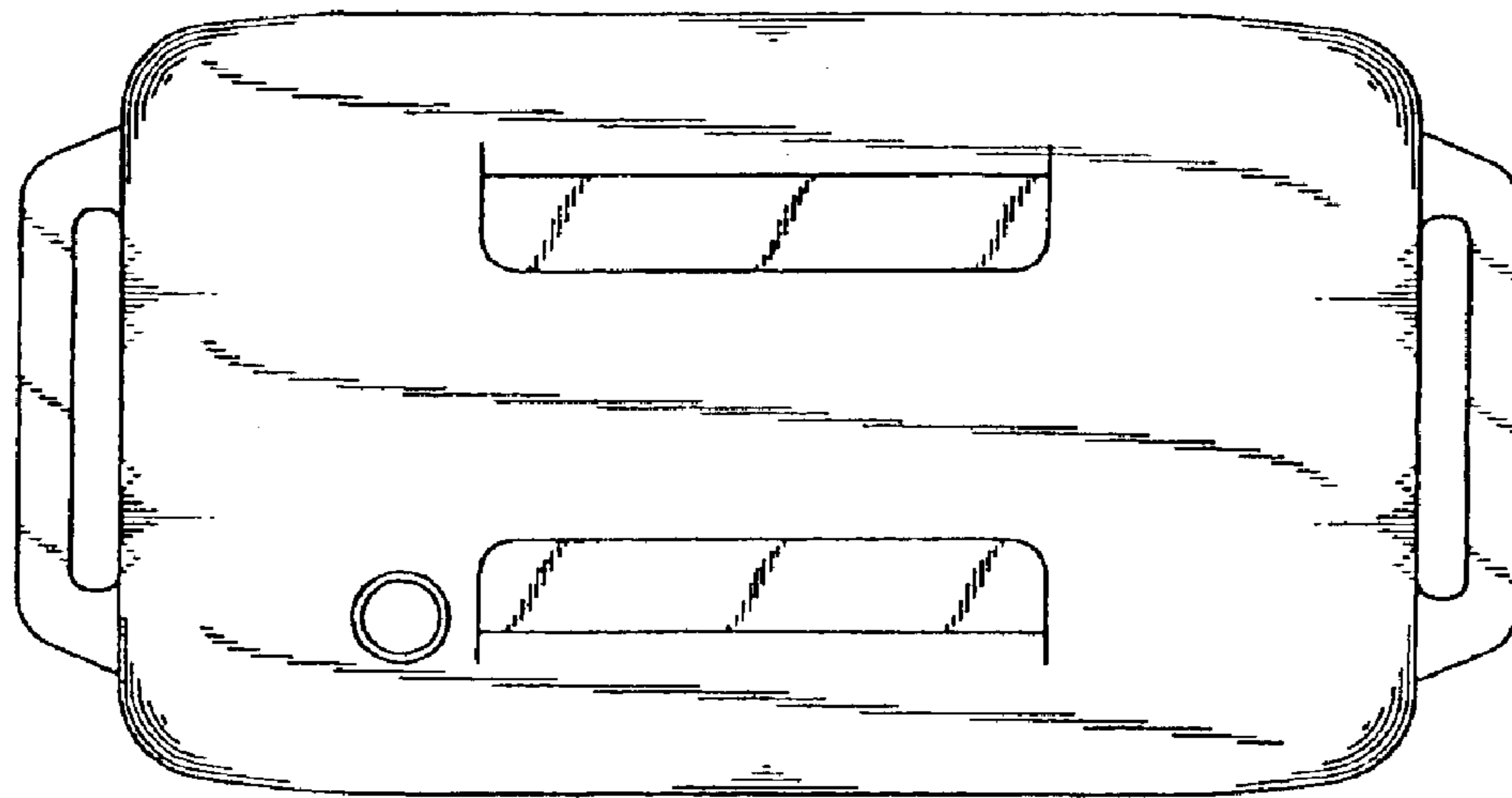
*Fig. 4*



*Fig. 5*



*Fig. 6*



*Fig. 7*

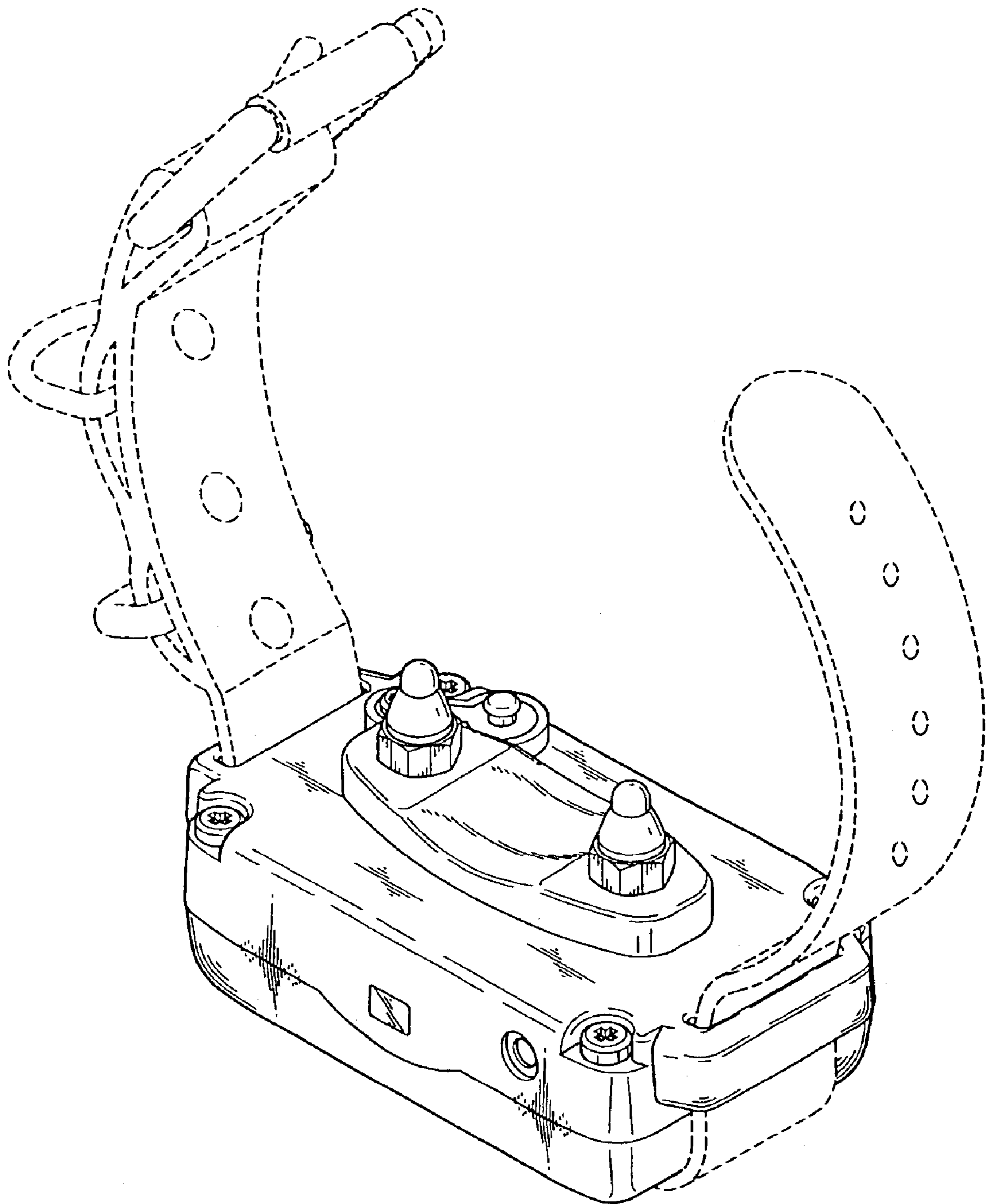


Fig. 8