



US00D526588S

(12) **United States Design Patent**
Johansson et al.

(10) **Patent No.:** **US D526,588 S**

(45) **Date of Patent:** **** Aug. 15, 2006**

(54) **SURVEYING DEVICE**

D427,087 S * 6/2000 Kaneko et al. D10/66
D447,066 S * 8/2001 Takayama et al. D10/66
D450,254 S * 11/2001 Ishii D10/66

(75) Inventors: **Jens Johansson**, Stockholm (SE);
Fredrik Magnusson, Stockholm (SE);
Oscar Karlsson, Stockholm (SE)

* cited by examiner

(73) Assignee: **Trimble AB**, Danderyd (SE)

Primary Examiner—Antoine D. Davis
(74) *Attorney, Agent, or Firm*—Young & Thompson

(**) Term: **14 Years**

(57) **CLAIM**

(21) Appl. No.: **29/224,954**

The ornamental design for a surveying device, as shown and described.

(22) Filed: **Mar. 10, 2005**

DESCRIPTION

(30) **Foreign Application Priority Data**

Sep. 10, 2004 (EM) 000225529

FIG. 1 is a front view of a surveying device according to our new design;

(51) **LOC (8) Cl.** **10-04**

FIG. 2 is a left side perspective view thereof;

(52) **U.S. Cl.** **D10/66**

FIG. 3 is a right side perspective view thereof;

(58) **Field of Classification Search** D10/66;
356/138–155, 290–299

FIG. 4 is a rear view thereof; and,

See application file for complete search history.

FIG. 5 is a top plan view thereof.

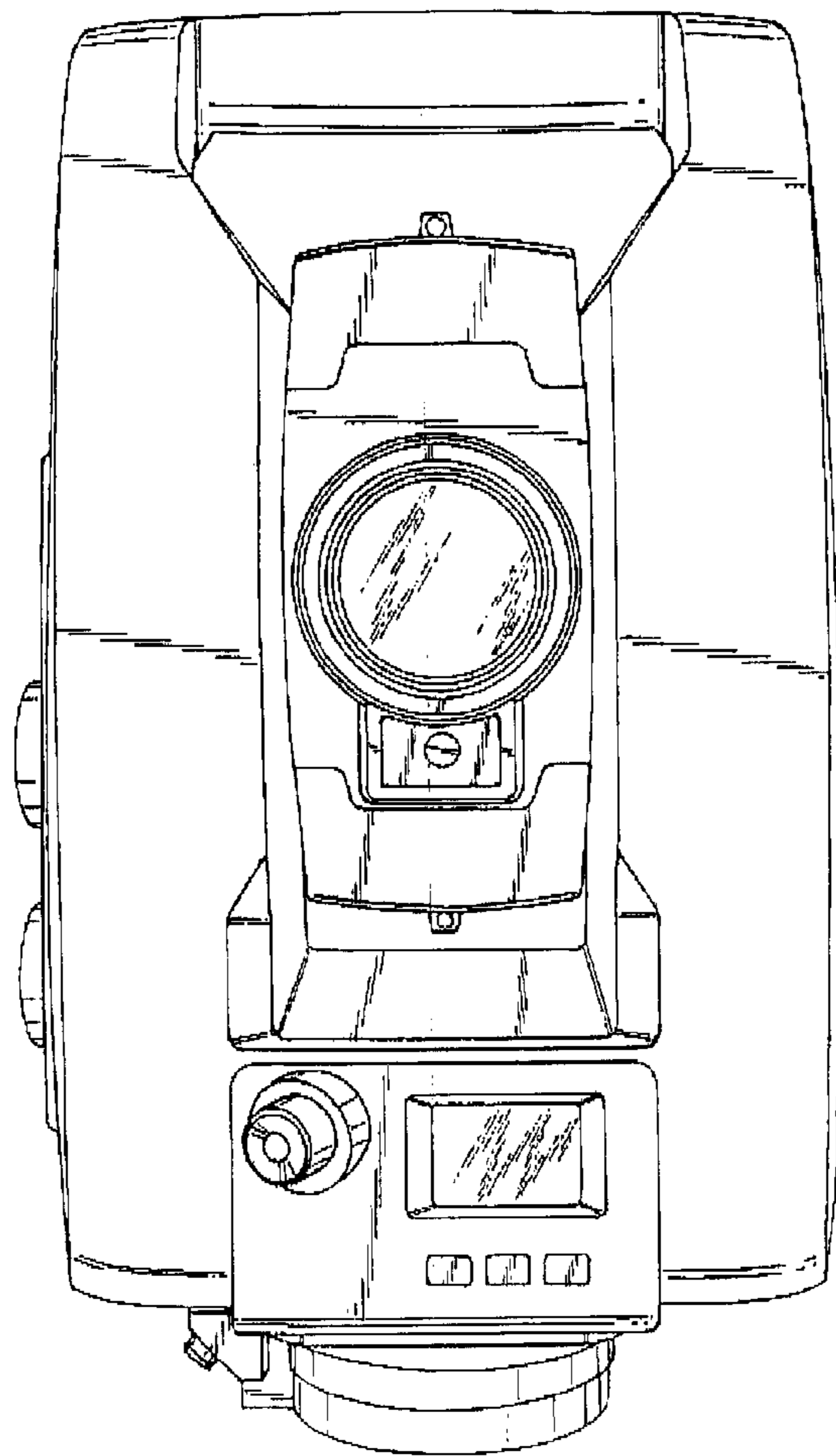
No bottom view is included since this part of the surveying device is not visible during normal use; no claim is directed thereto.

(56) **References Cited**

U.S. PATENT DOCUMENTS

D409,507 S * 5/1999 Ishii D10/66

1 Claim, 5 Drawing Sheets



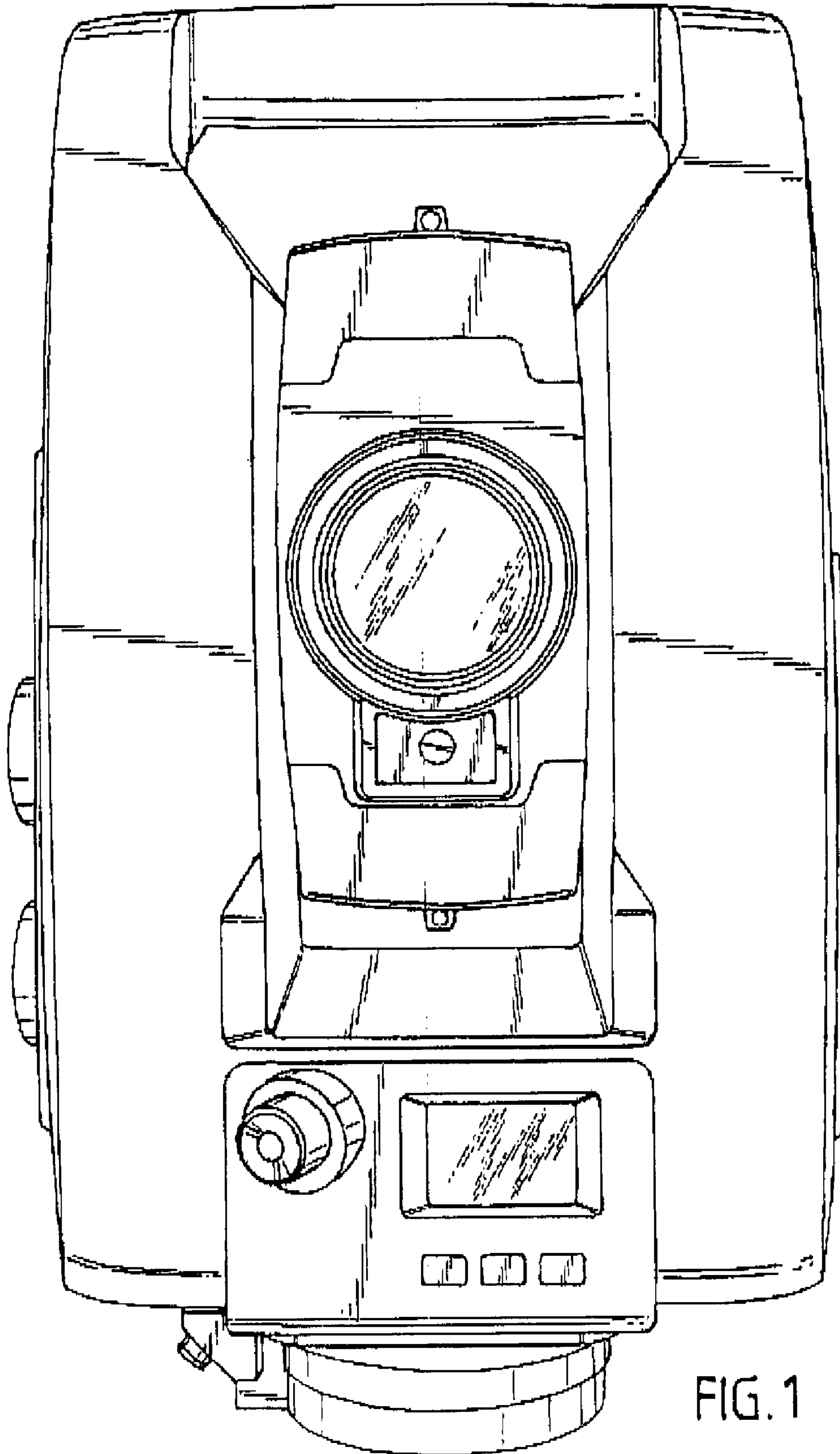


FIG. 1

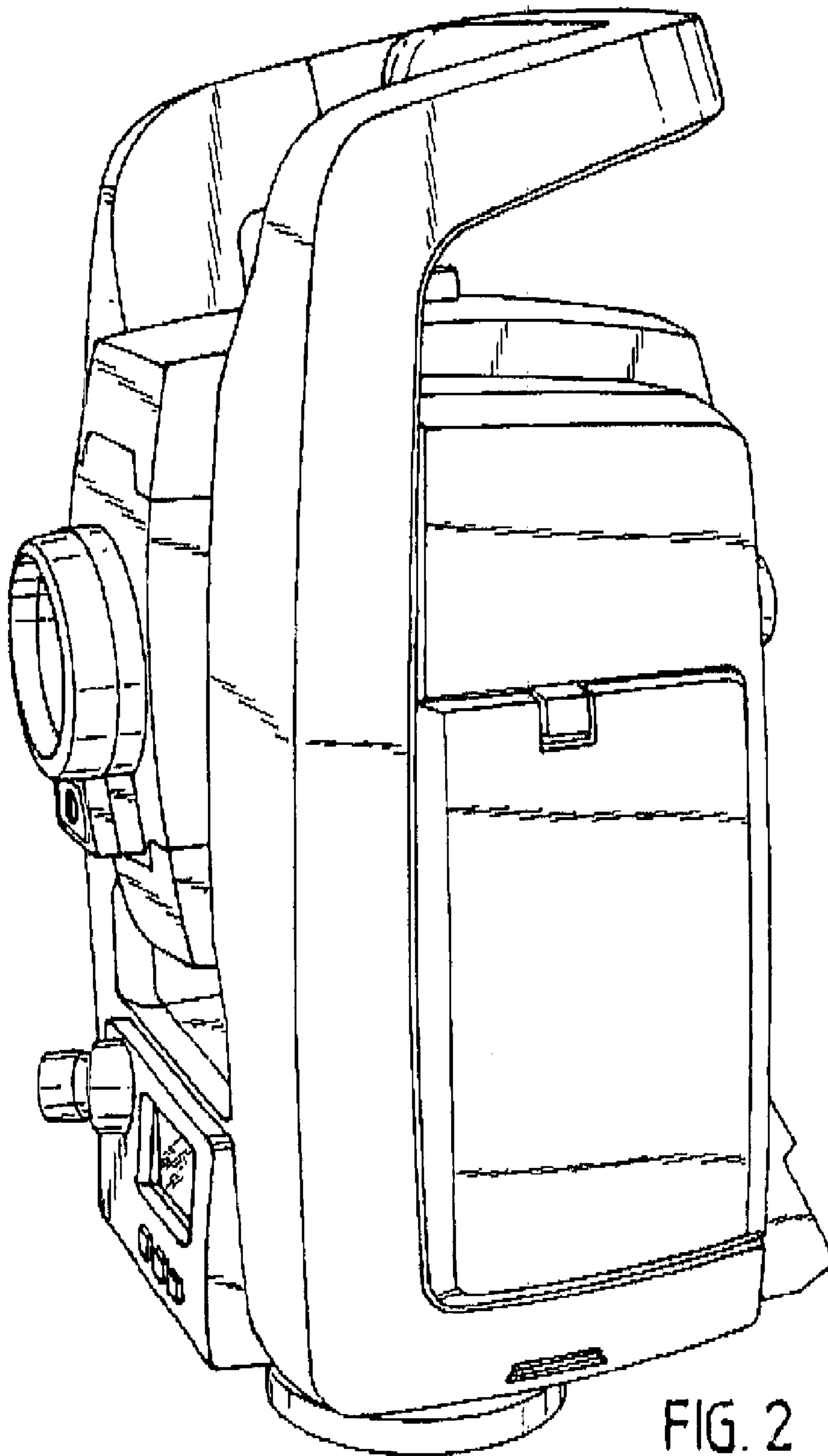
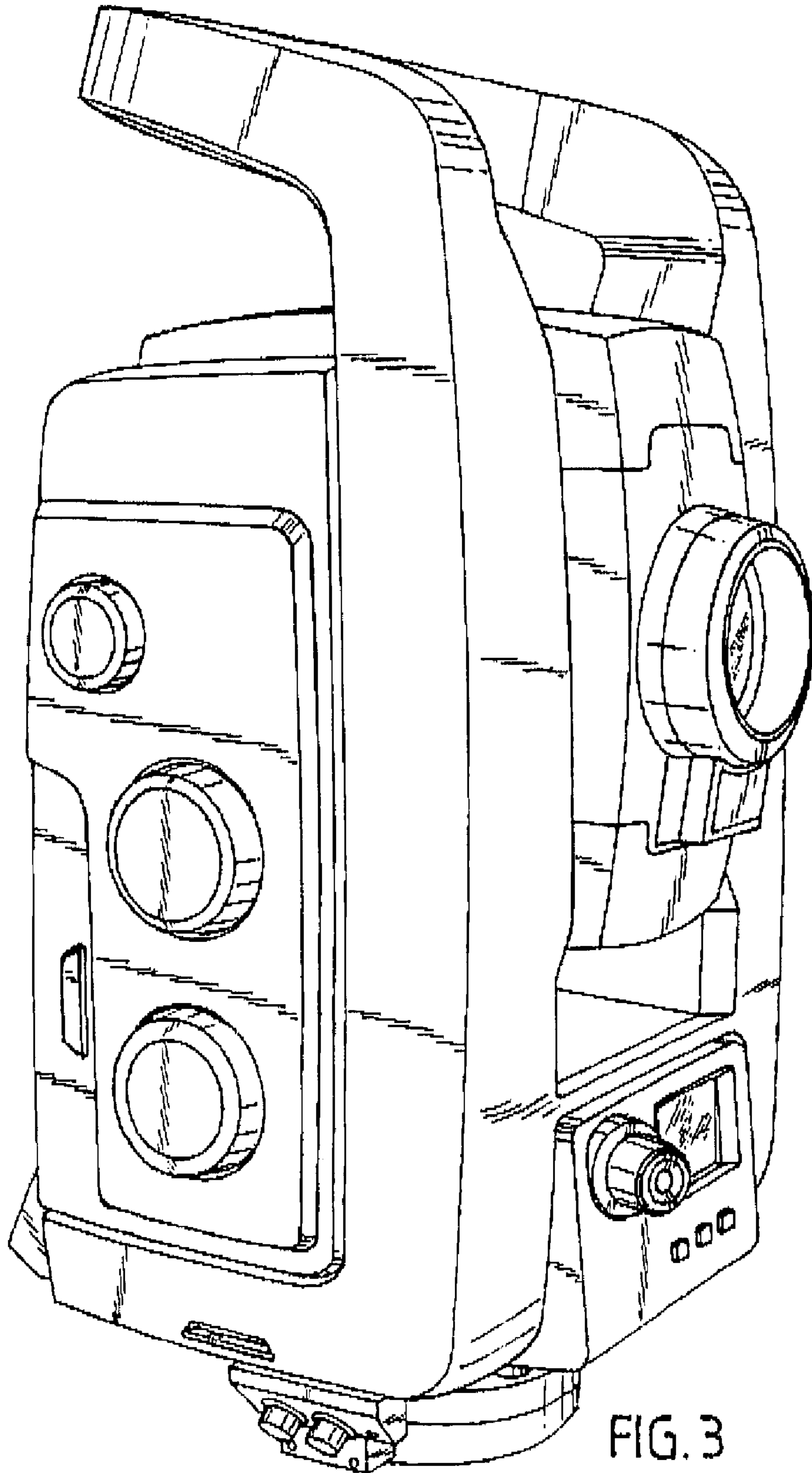


FIG. 2



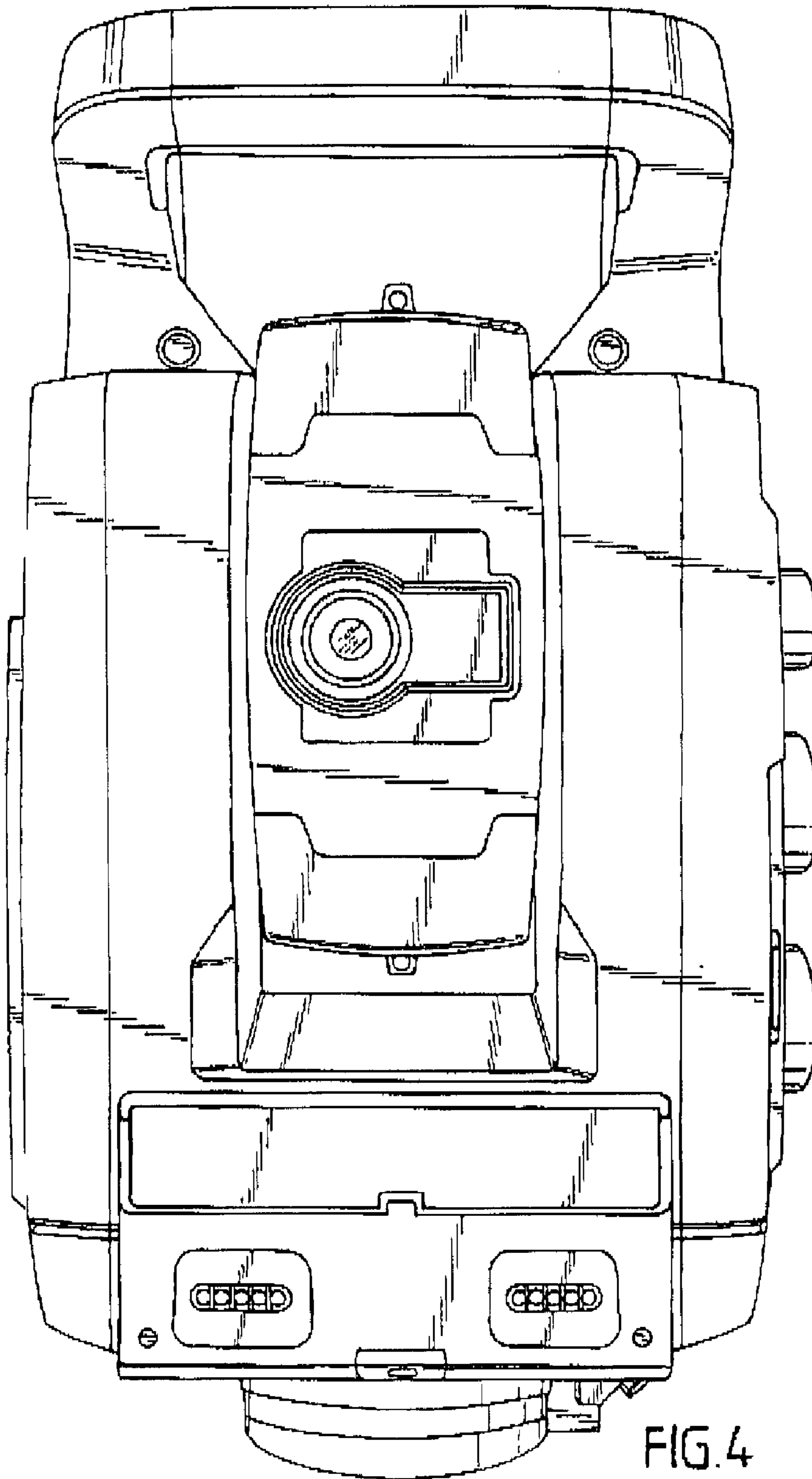


FIG. 4

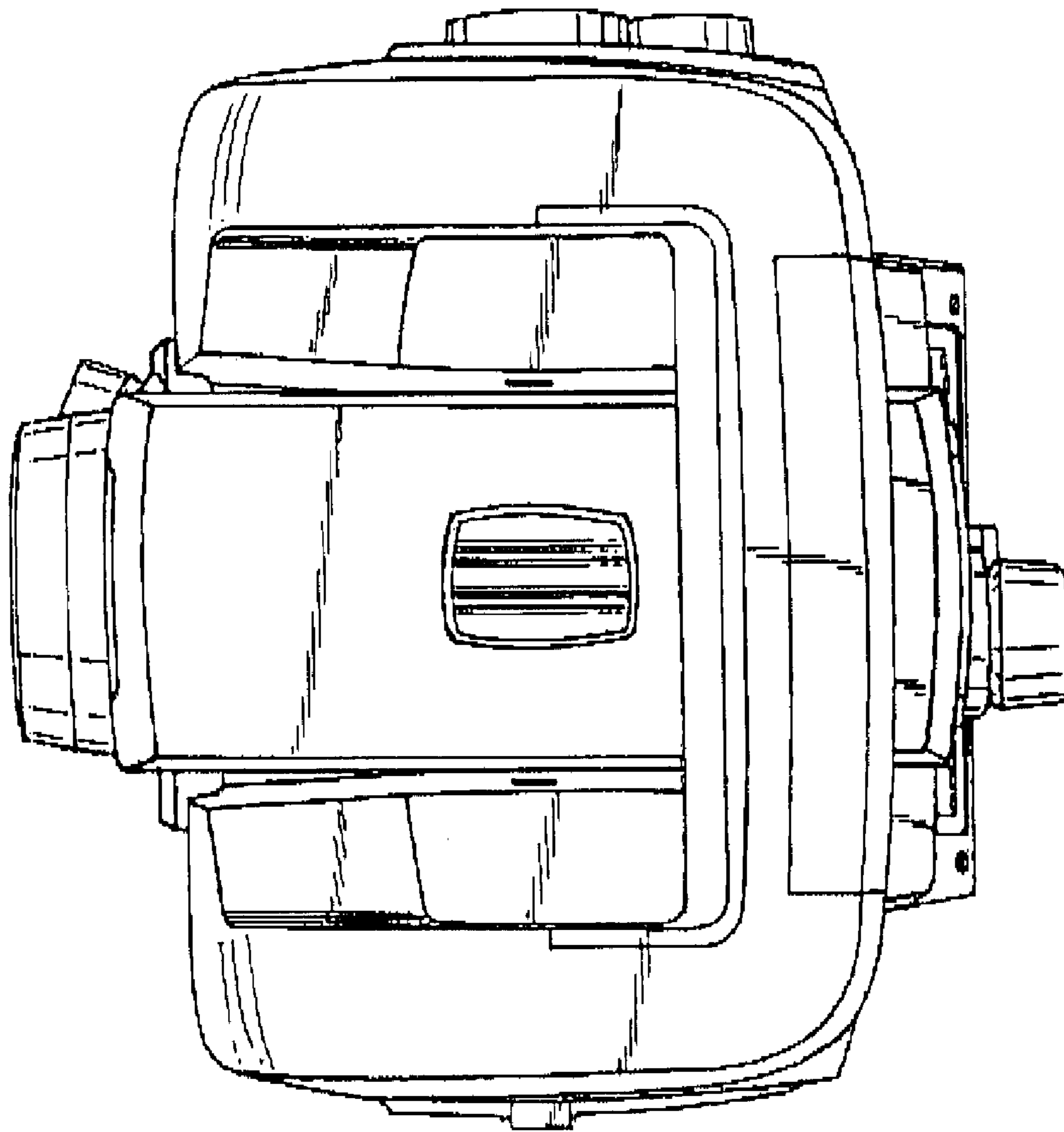


FIG. 5