

US00D526587S

(12) **United States Design Patent**
Lopano

(10) **Patent No.:** **US D526,587 S**

(45) **Date of Patent:** **** Aug. 15, 2006**

(54) **LASER LEVEL**

(75) Inventor: **Daniel N. Lopano**, Towson, MD (US)

(73) Assignee: **Black & Decker Inc.**, Newark, DE (US)

(**) Term: **14 Years**

(21) Appl. No.: **29/221,315**

(22) Filed: **Jan. 13, 2005**

Related U.S. Application Data

(63) Continuation-in-part of application No. 29/213,371, filed on Sep. 16, 2004, now Pat. No. Des. 509,453, which is a continuation of application No. 29/201,635, filed on Mar. 18, 2004, now Pat. No. Des. 498,687.

(51) **LOC (8) Cl.** **10-04**

(52) **U.S. Cl.** **D10/66**

(58) **Field of Classification Search** D10/69;
33/291, 365, 366.11-366.27, 367-391; 356/247,
356/249; 362/259; 372/109

See application file for complete search history.

(56) **References Cited**

U.S. PATENT DOCUMENTS

5,907,907 A * 6/1999 Ohtomo et al. 33/291
5,946,087 A * 8/1999 Kasori et al. 356/249

5,967,645 A * 10/1999 Anderson 362/259
D418,432 S * 1/2000 Krantz D10/69
6,128,326 A * 10/2000 Kousek et al. 372/109
6,184,979 B1 * 2/2001 Hirano et al. 356/247
6,332,694 B1 * 12/2001 Chih-Hsiung 362/259
D461,135 S * 8/2002 Watson et al. D10/69
D464,578 S * 10/2002 Zurwelle D10/69

* cited by examiner

Primary Examiner—Antoine D. Davis

(74) *Attorney, Agent, or Firm*—Joseph F. Key; Adan Ayala

(57) **CLAIM**

The ornamental design for a laser level, as shown and described.

DESCRIPTION

FIG. 1 is a perspective view of an embodiment of a laser level according to the invention.

FIG. 2 is a front elevational view of the embodiment.

FIG. 3 is a rear elevational view of the embodiment.

FIG. 4 is a left elevational view of the embodiment.

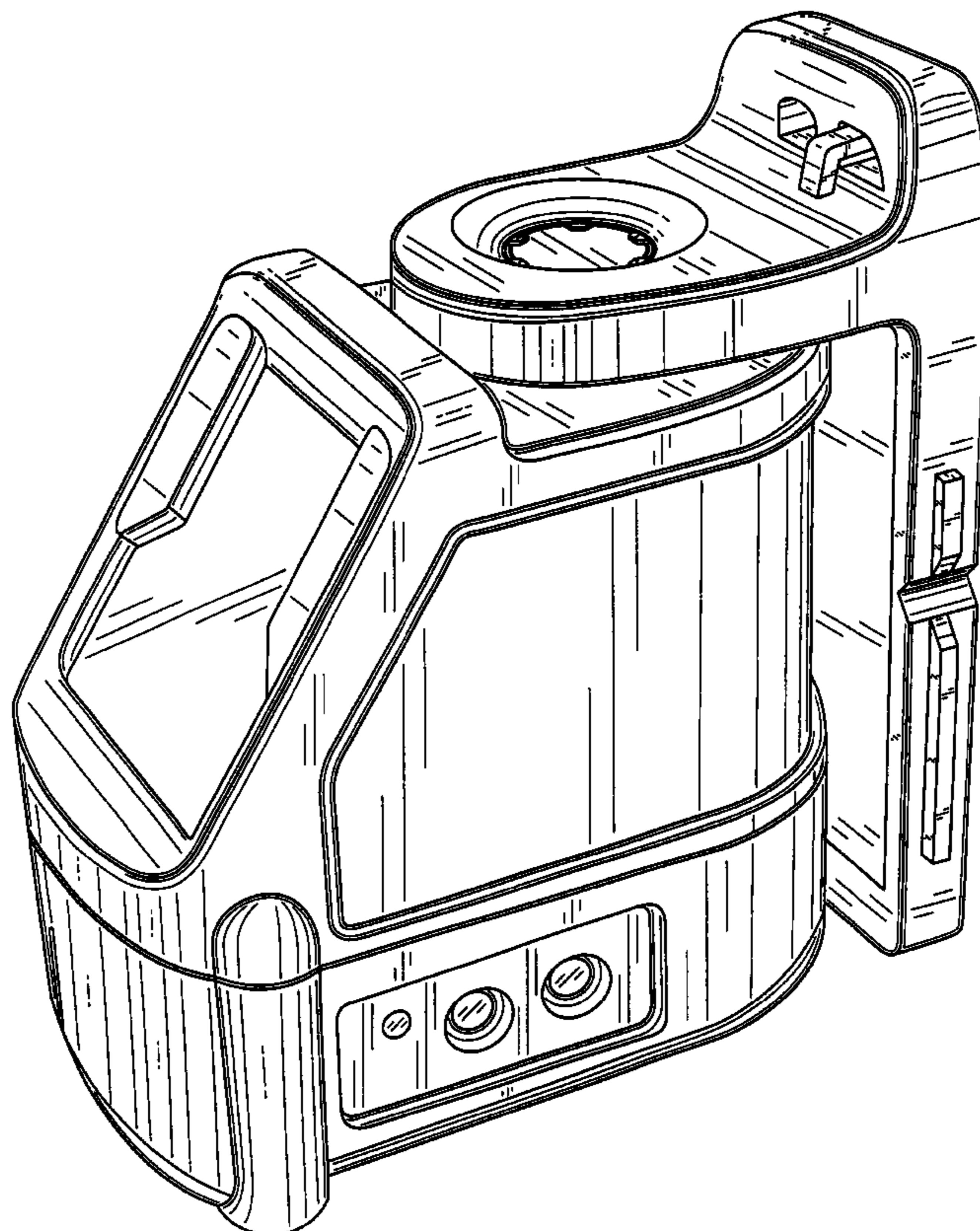
FIG. 5 is a right elevational view of the embodiment.

FIG. 6 is a top plan view of the embodiment; and,

FIG. 7 is a bottom plan view of the embodiment.

In the above drawings, any wording or numerals shown therein does not form a part of the invention.

1 Claim, 7 Drawing Sheets



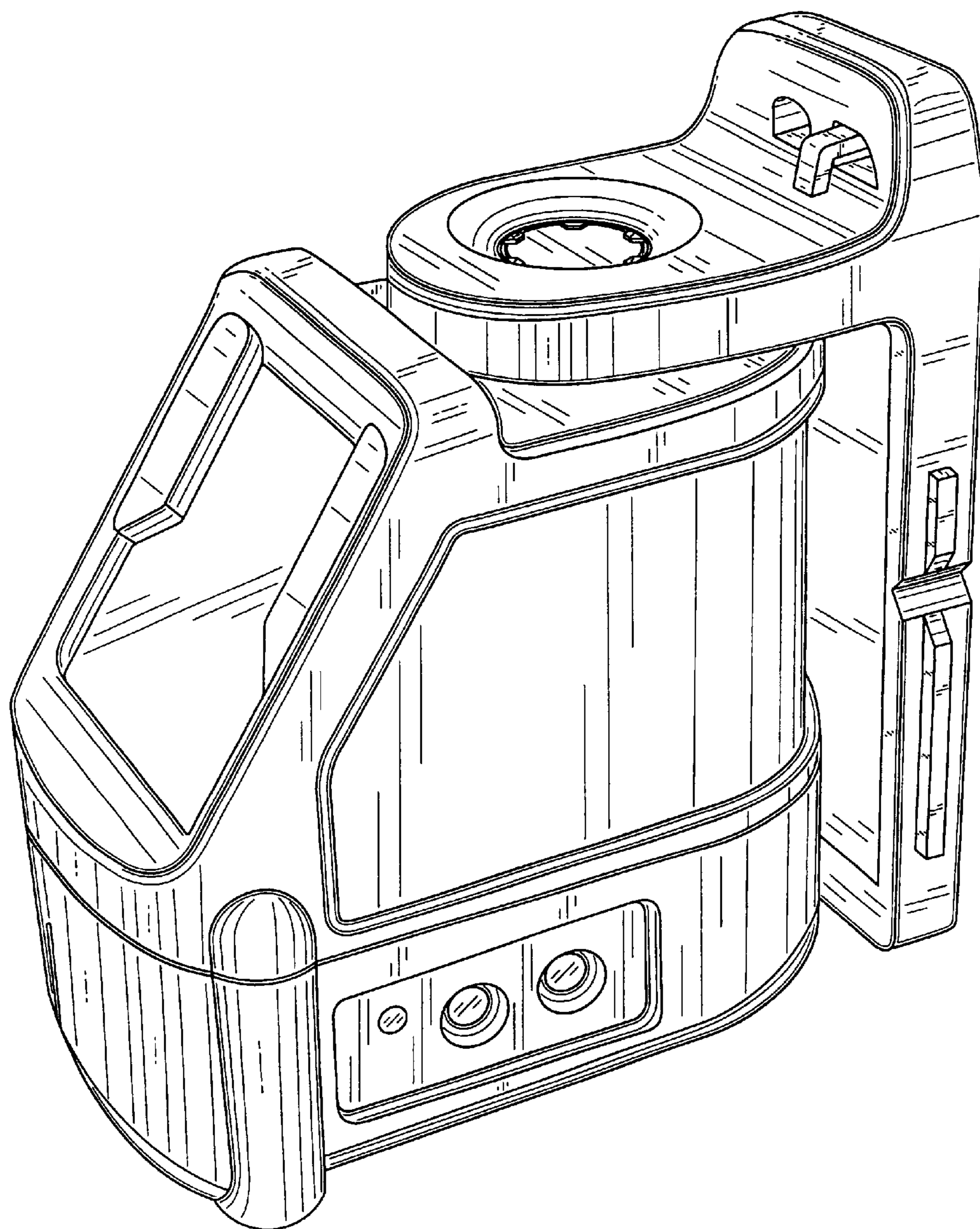


FIG. 1

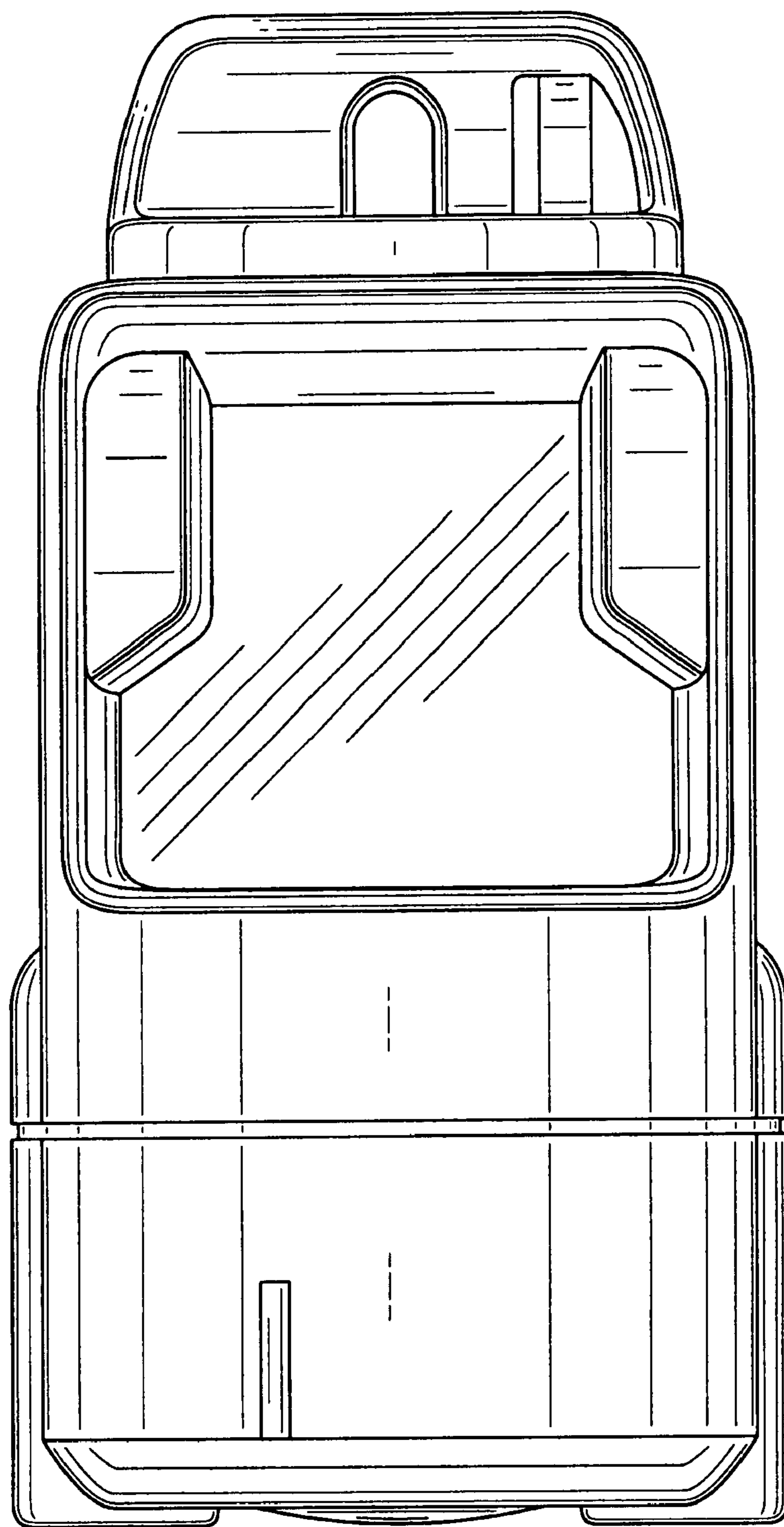


FIG. 2

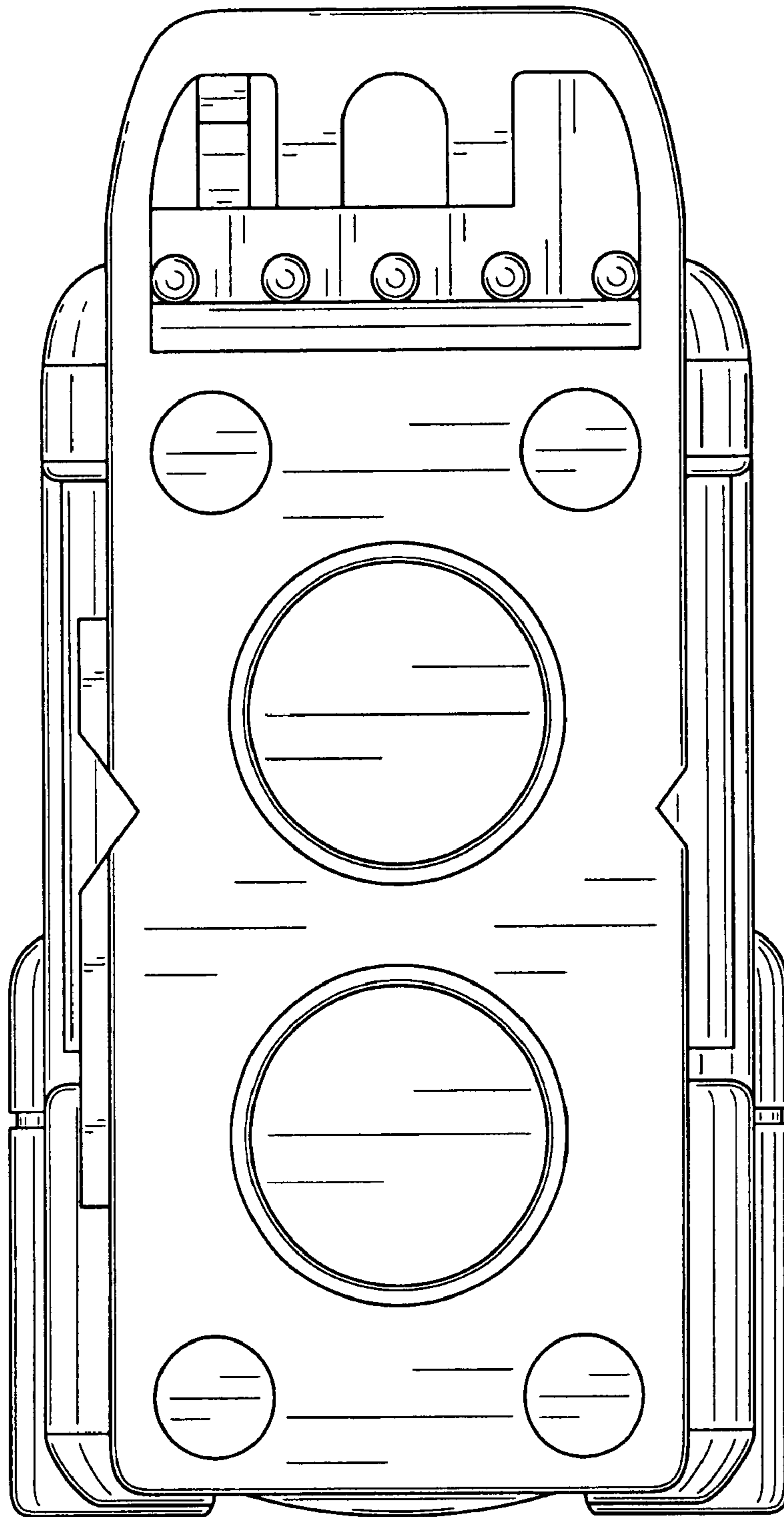


FIG. 3

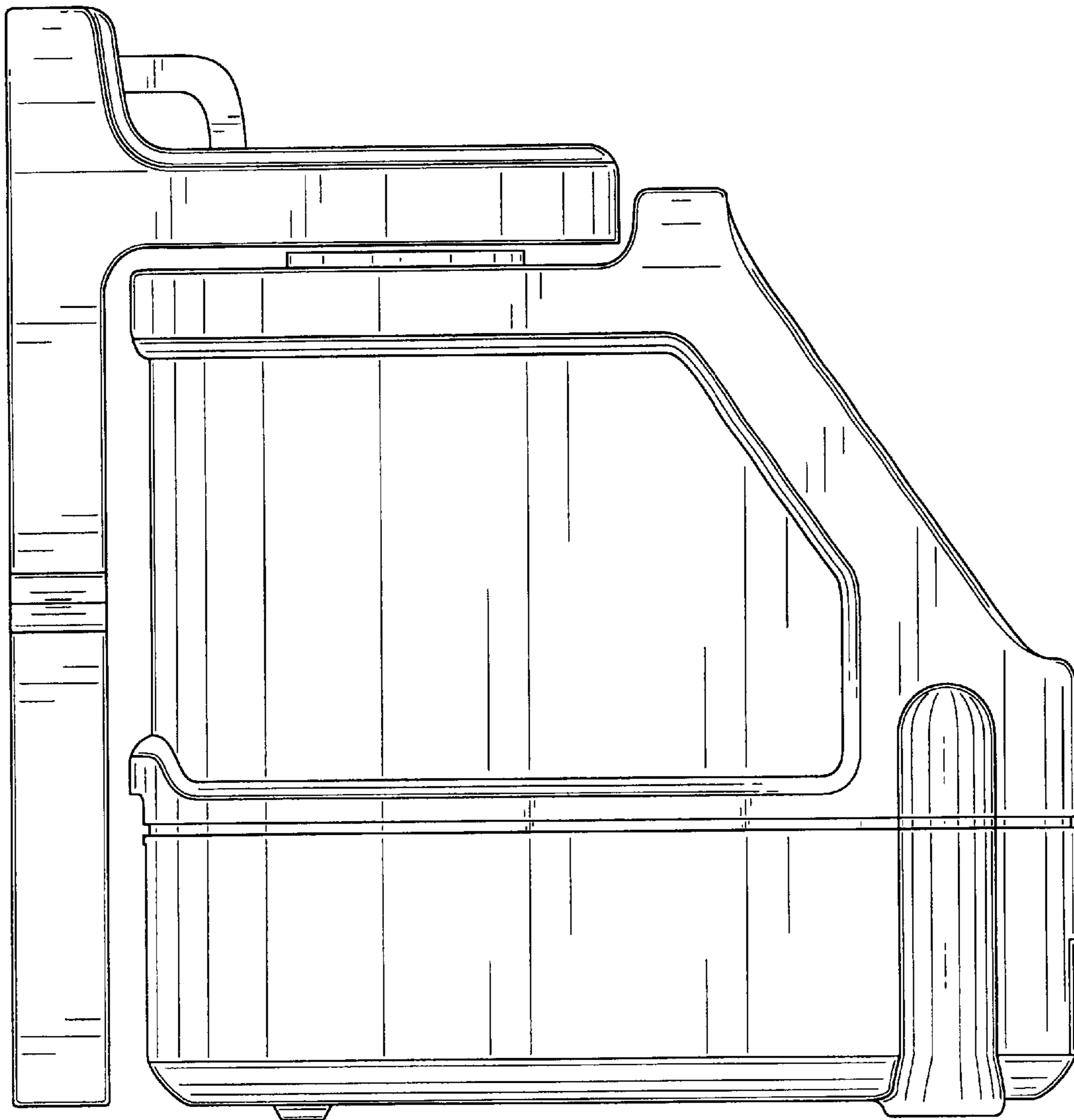


FIG. 4

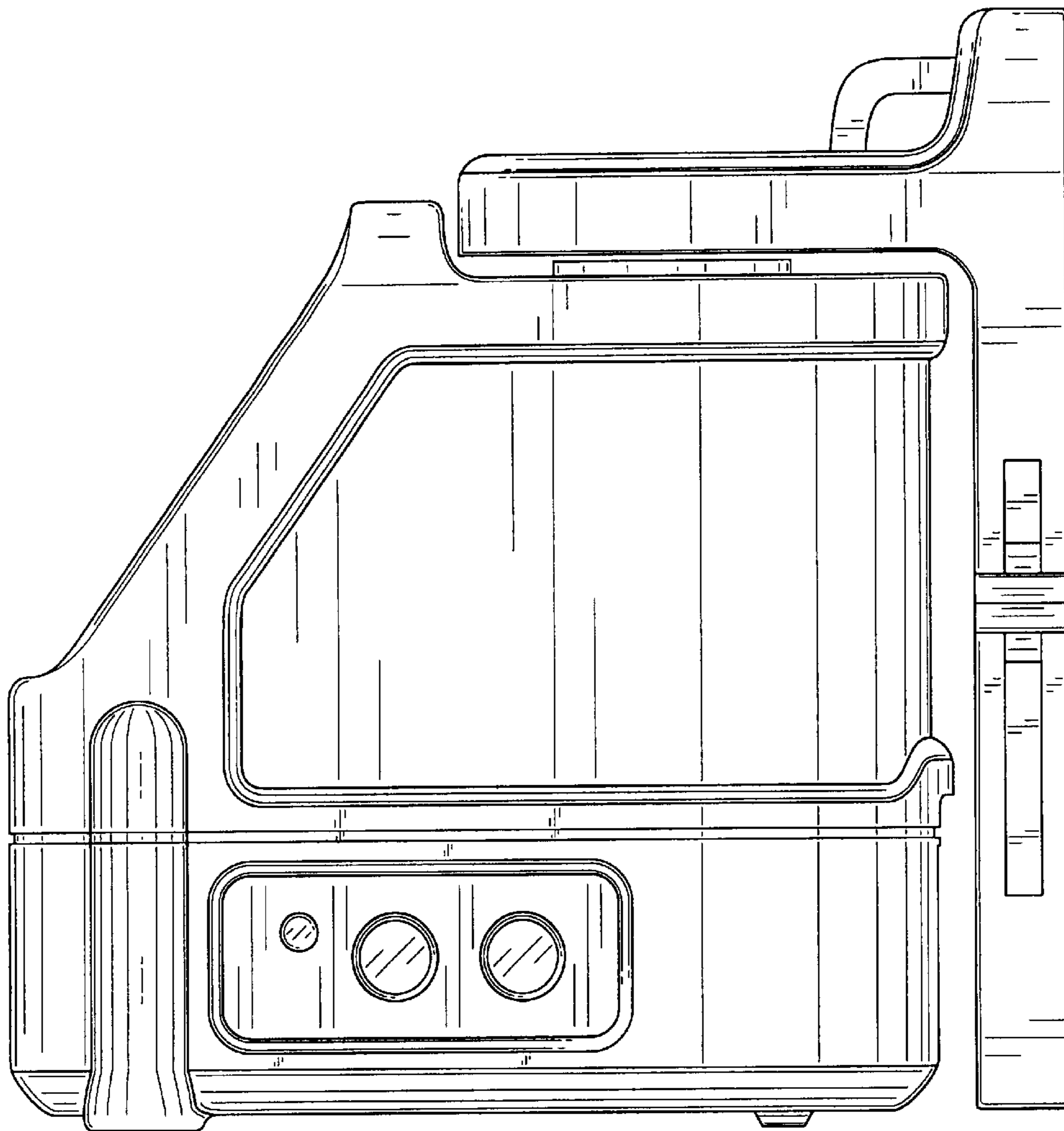


FIG. 5

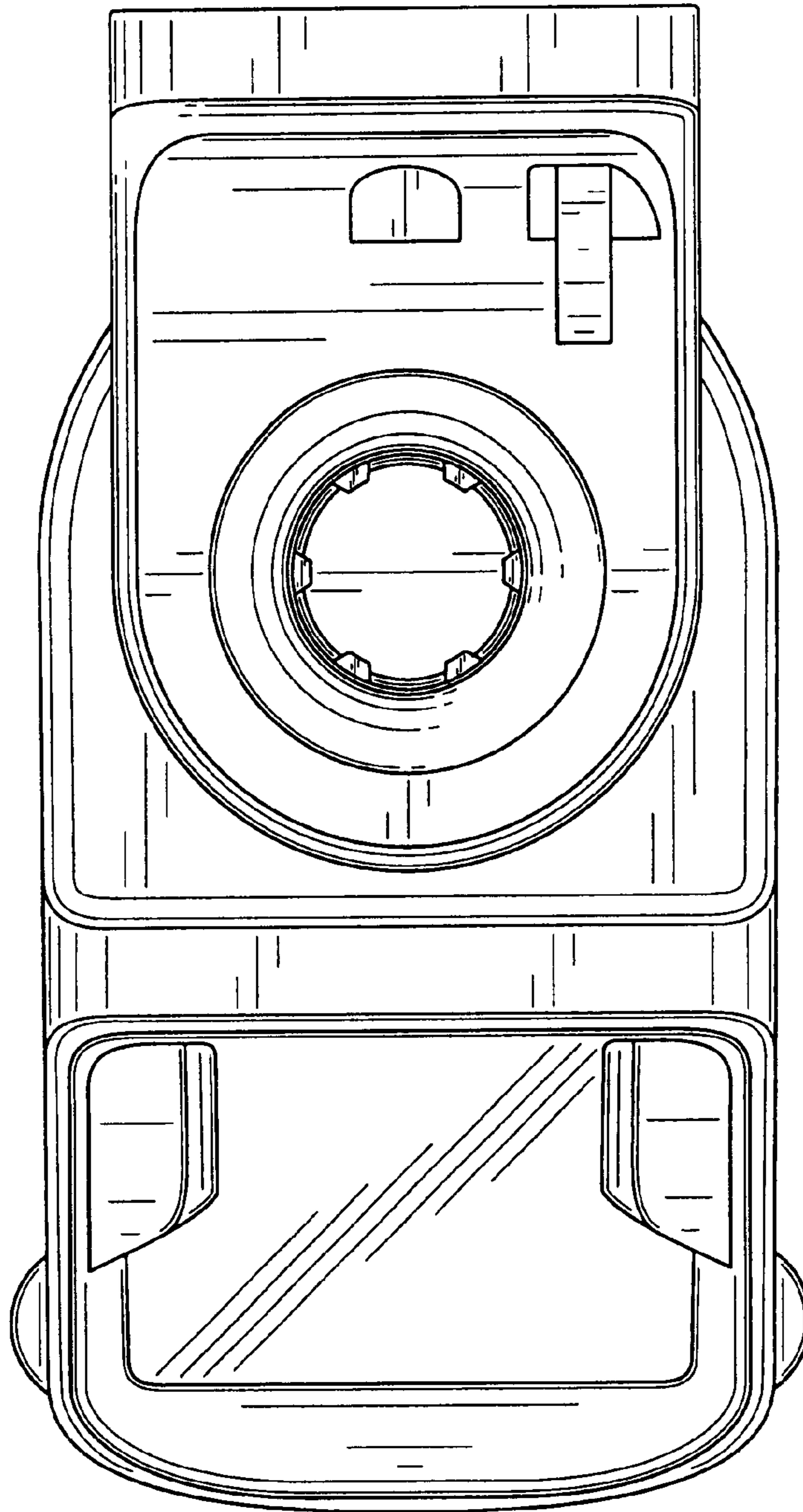


FIG. 6

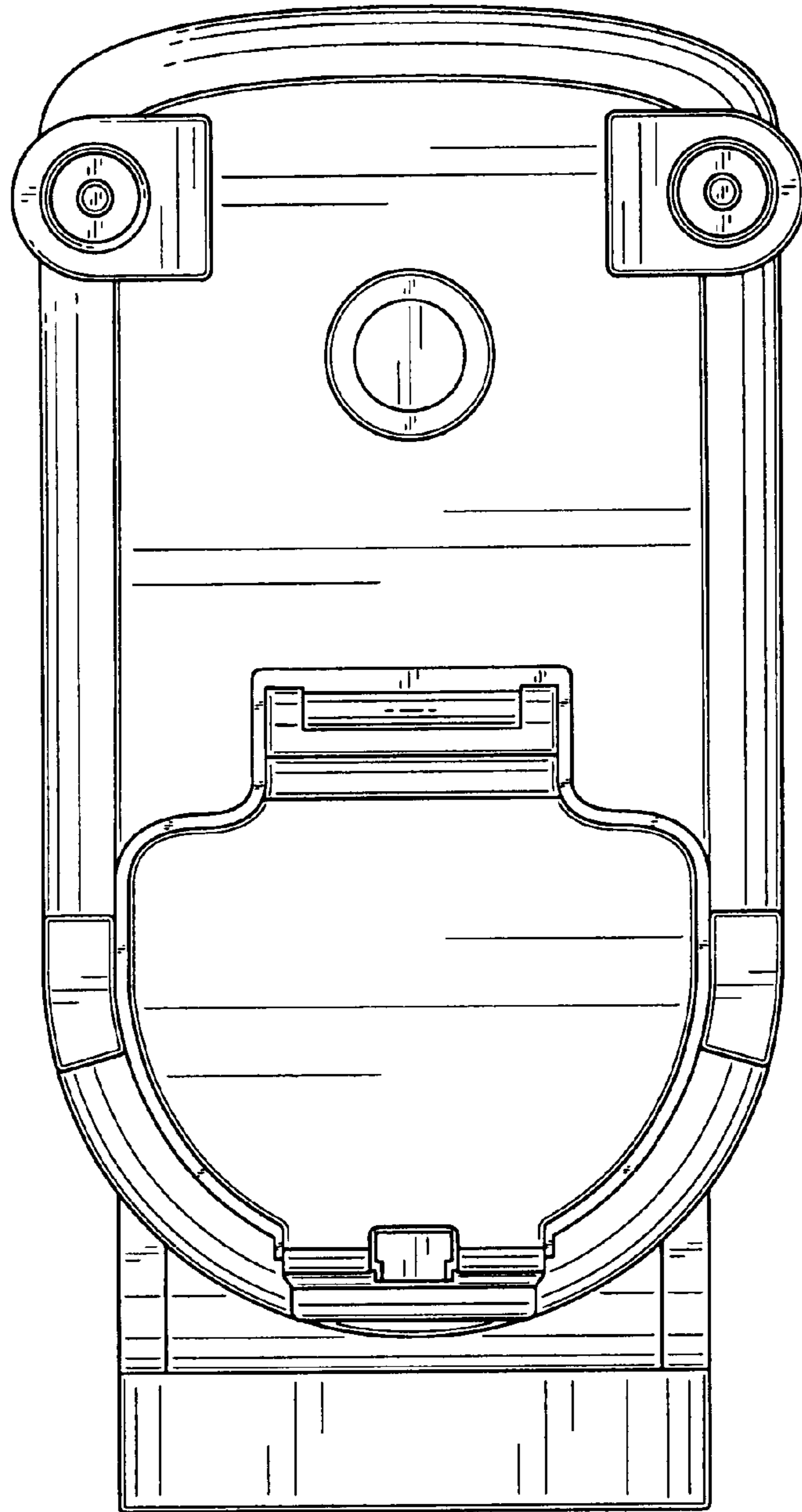


FIG. 7