



US00D526583S

(12) **United States Design Patent**
Wakamatsu et al.

(10) **Patent No.:** **US D526,583 S**

(45) **Date of Patent:** **** Aug. 15, 2006**

(54) **CRYSTAL RESONATOR FOR A BIO-SENSOR**

(75) Inventors: **Shunichi Wakamatsu**, Hokkaido (JP);
Mitsuaki Koyama, Saitama (JP);
Kietsu Saito, Saitama (JP)

(73) Assignee: **Nihon Dempa Kogyo Co., Ltd.**, Tokyo (JP)

(**) **Term:** **14 Years**

(21) **Appl. No.:** **29/230,487**

(22) **Filed:** **May 23, 2005**

(30) **Foreign Application Priority Data**

Nov. 24, 2004 (JP) 2004-035784

(51) **LOC (8) Cl.** **10-04**

(52) **U.S. Cl.** **D10/46**

(58) **Field of Classification Search** D10/46;
73/24.06, 580, 778; 310/8.2, 8.9, 320, 344,
310/353, 361, 370; 324/715-719; 333/72
See application file for complete search history.

(56) **References Cited**

U.S. PATENT DOCUMENTS

3,872,411 A * 3/1975 Watanabe et al. 310/312
3,931,388 A * 1/1976 Hafner et al. 310/344
4,124,809 A * 11/1978 Engdahl et al. 310/361

5,436,523 A * 7/1995 Staudte 310/348
6,295,861 B1 * 10/2001 Tom et al. 73/24.06
6,525,549 B1 * 2/2003 Poellmann 324/717
6,798,222 B1 * 9/2004 Tanaka et al. 324/715
6,987,347 B1 * 1/2006 Yoshio et al. 310/320

* cited by examiner

Primary Examiner—Antoine D. Davis

(74) *Attorney, Agent, or Firm*—Scott D. Wofsy; Edwards Angell Palmer & Dodge LLP

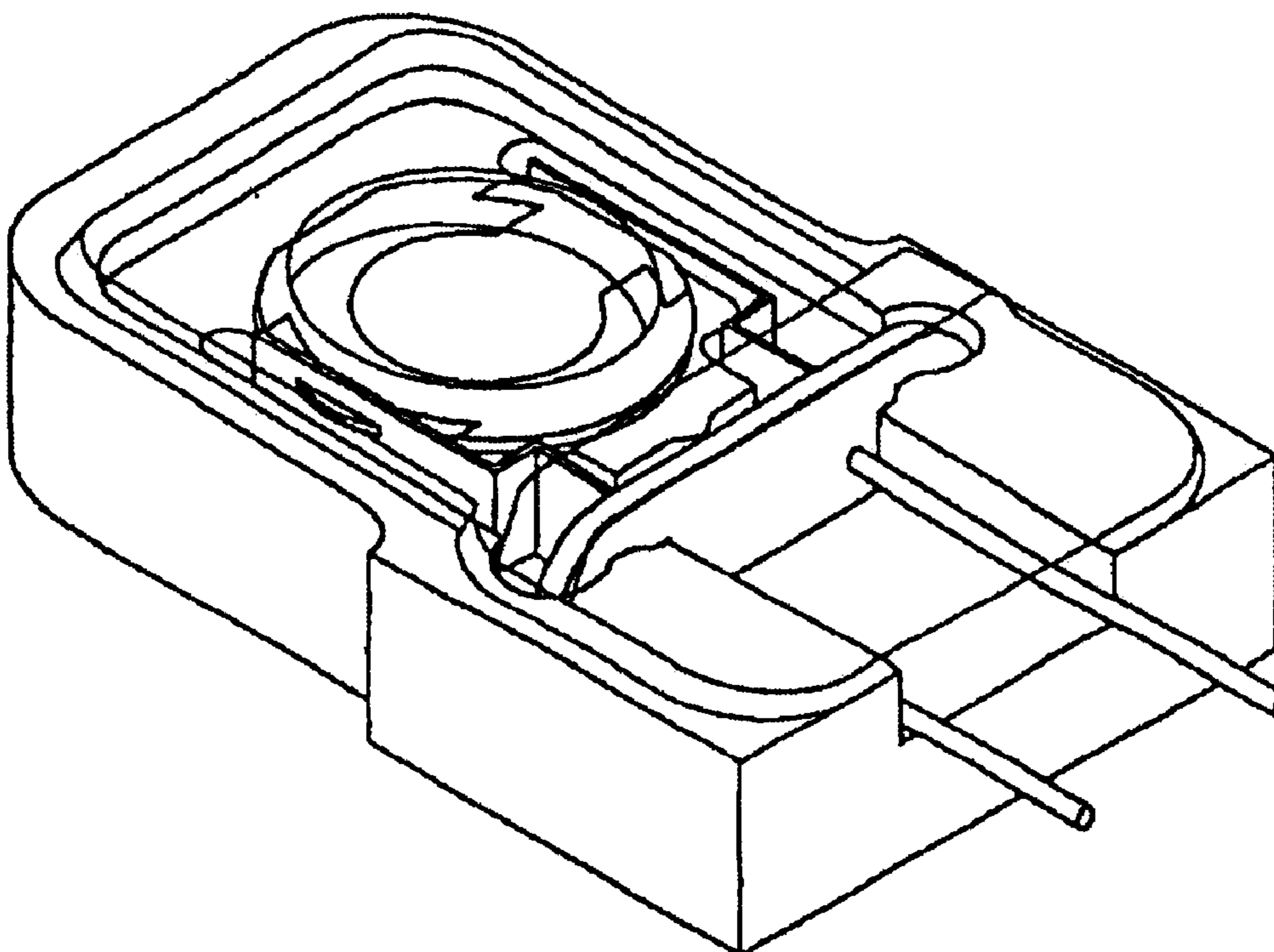
(57) **CLAIM**

The ornamental design for a crystal resonator for a bio-sensor, as shown and described.

DESCRIPTION

FIG. 1 is a perspective view of a crystal resonator for a bio-sensor showing a new design;
FIG. 2 is a top plan view thereof;
FIG. 3 is a bottom plan view thereof;
FIG. 4 is a right side elevational view thereof;
FIG. 5 is a cross-sectional view taken along line 5—5 of FIG. 2.
FIG. 6 is a front elevational view thereof;
FIG. 7 is a rear elevational view thereof; and,
FIG. 8 is a cross-sectional view taken along line 8—8 of FIG. 2.

1 Claim, 3 Drawing Sheets



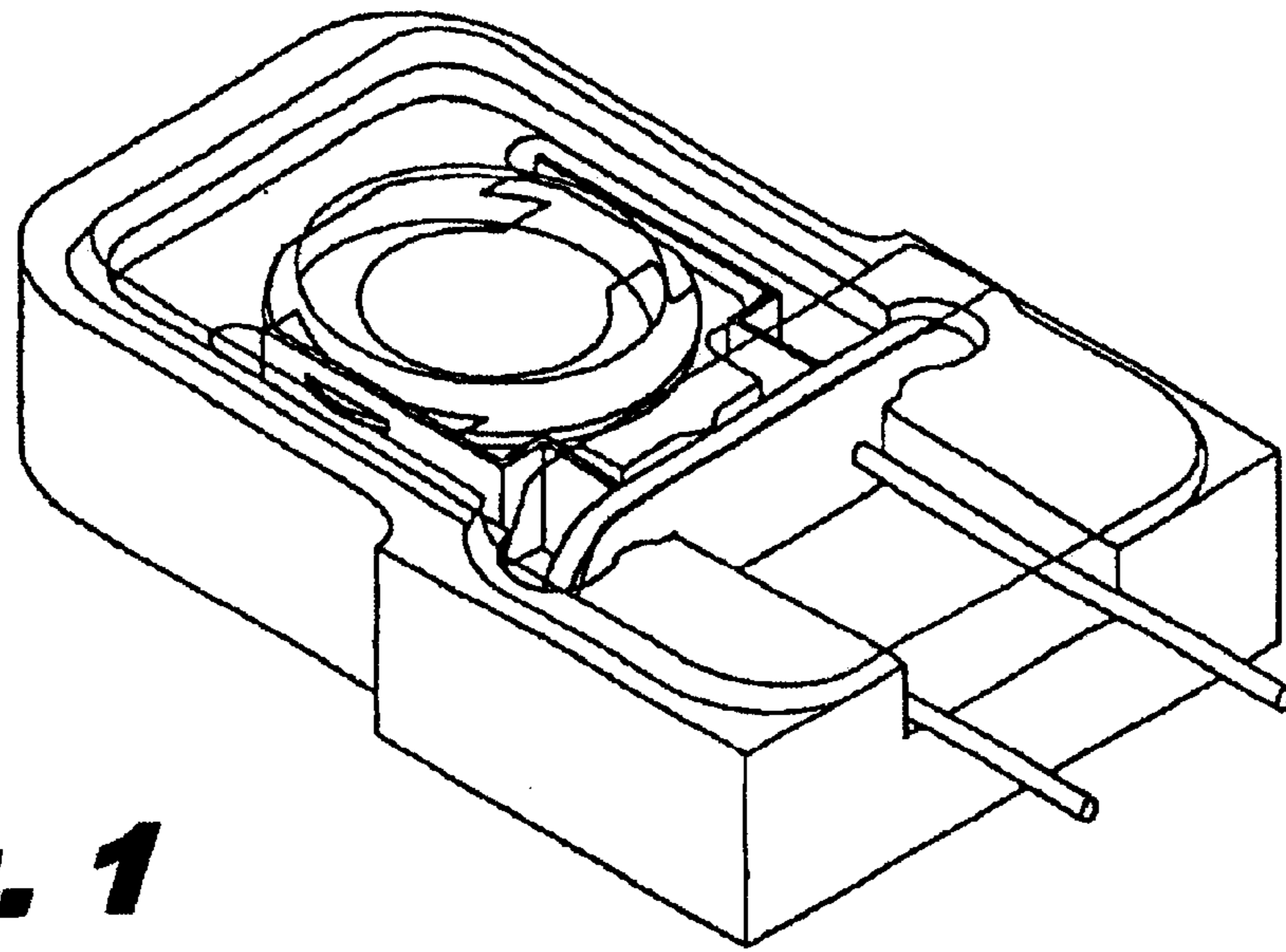


Fig. 1

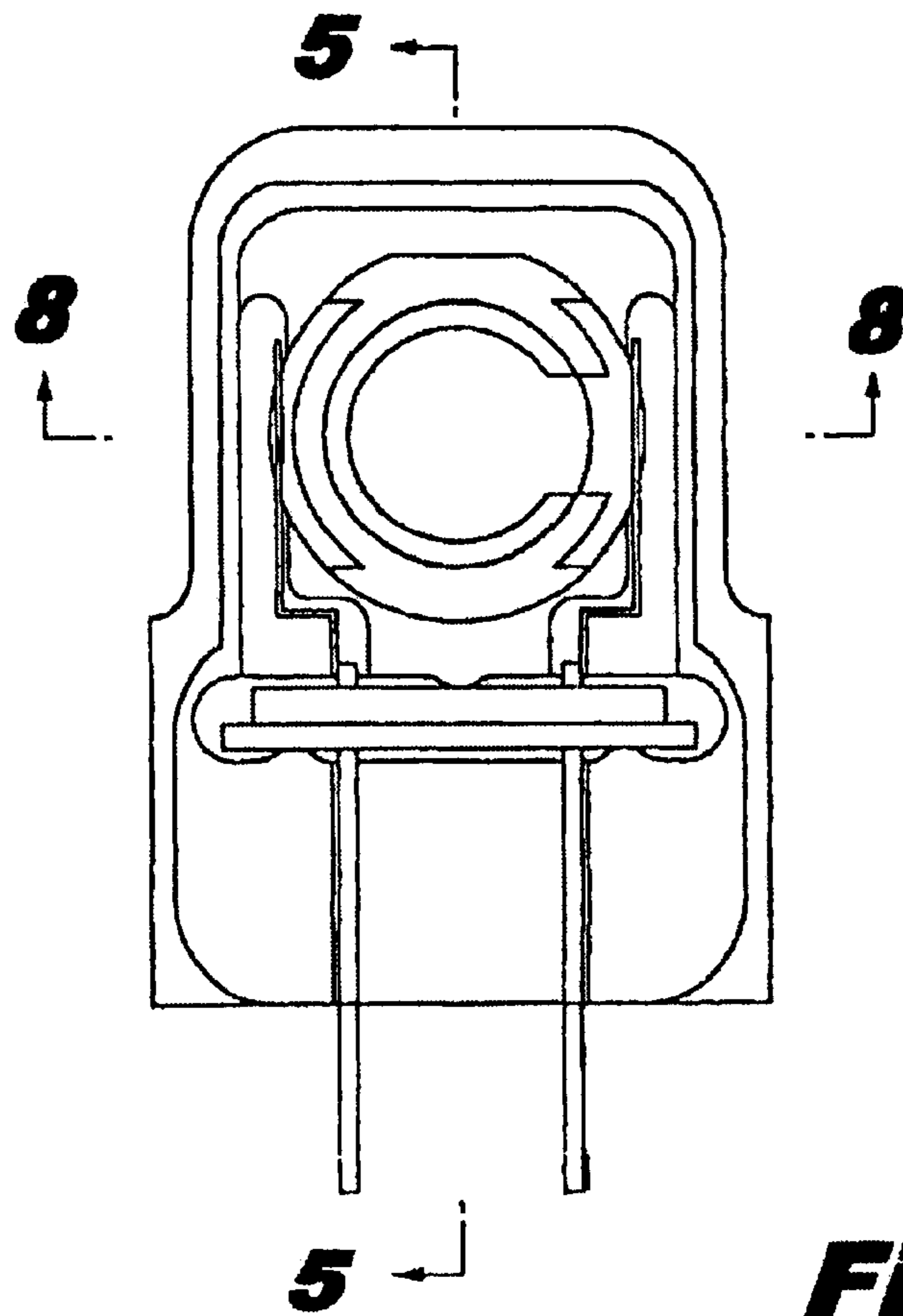


Fig. 2

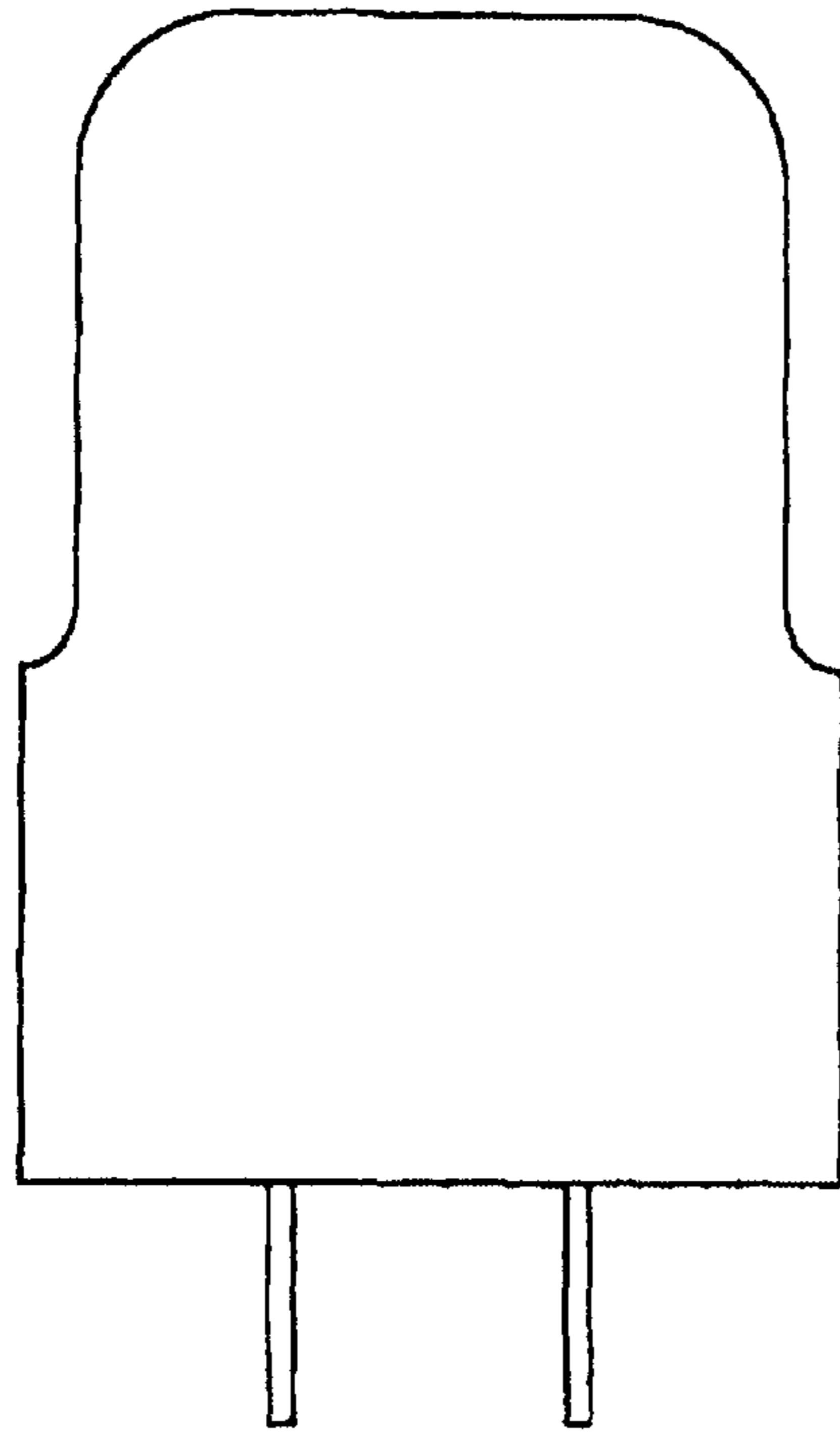


Fig. 3

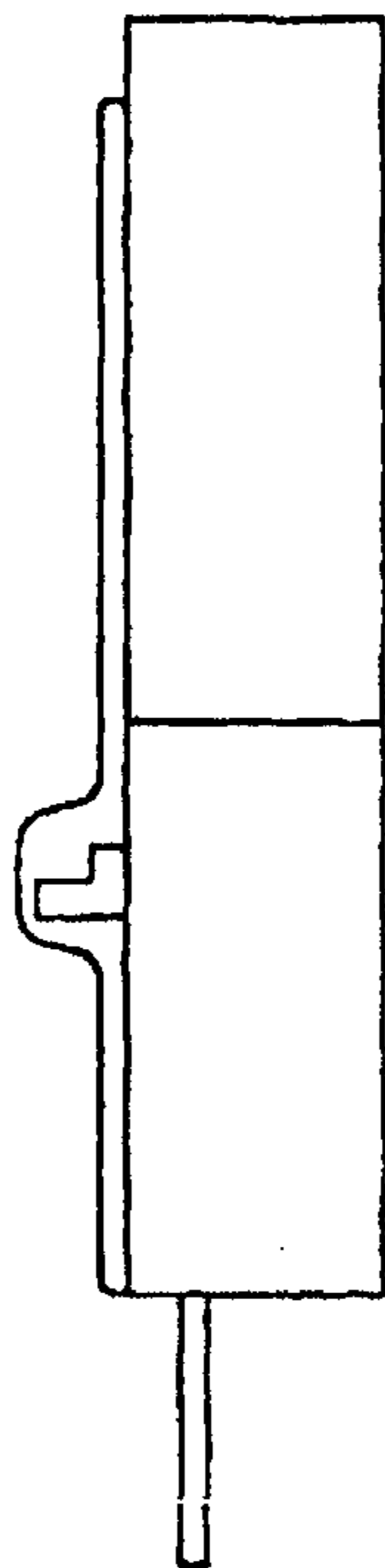


Fig. 4

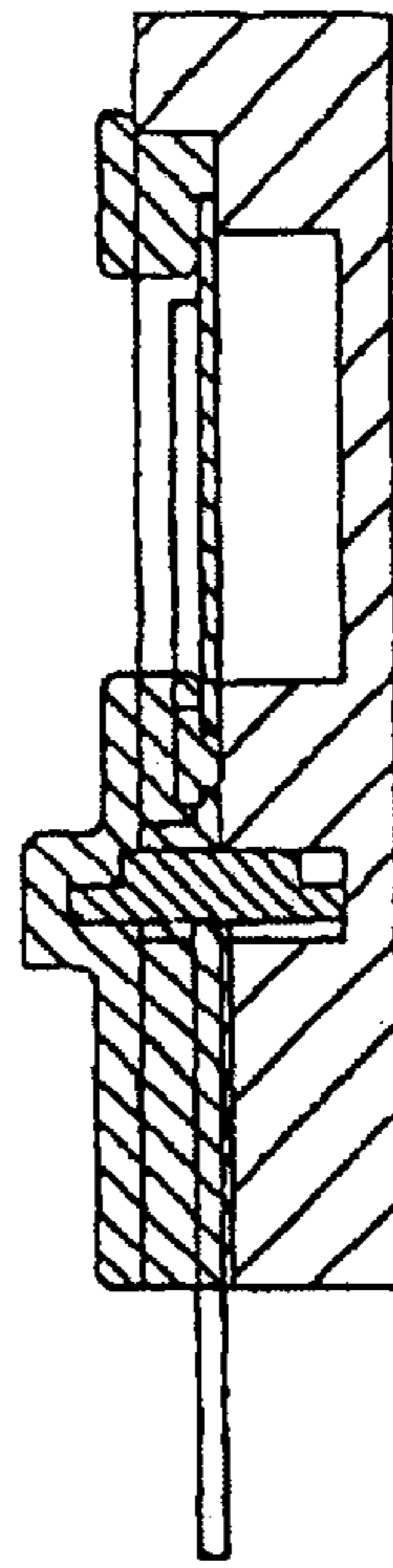


Fig. 5

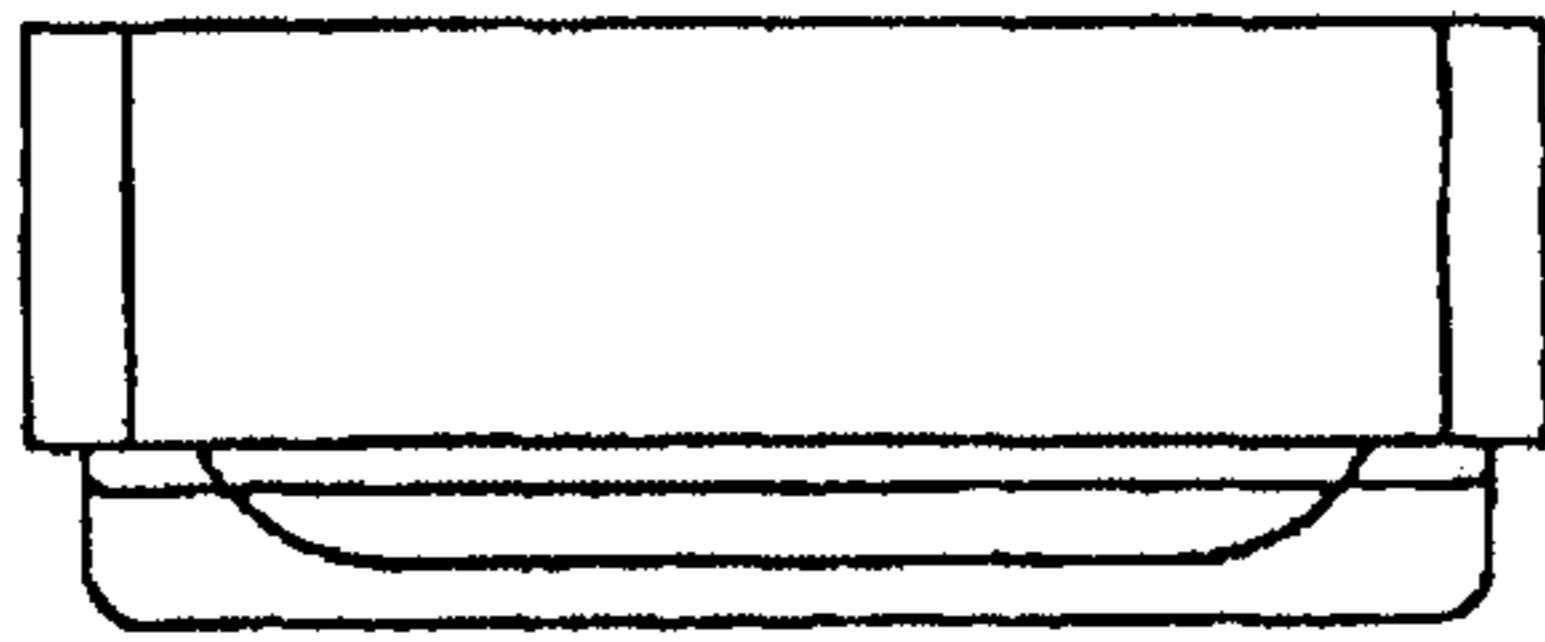


Fig. 6

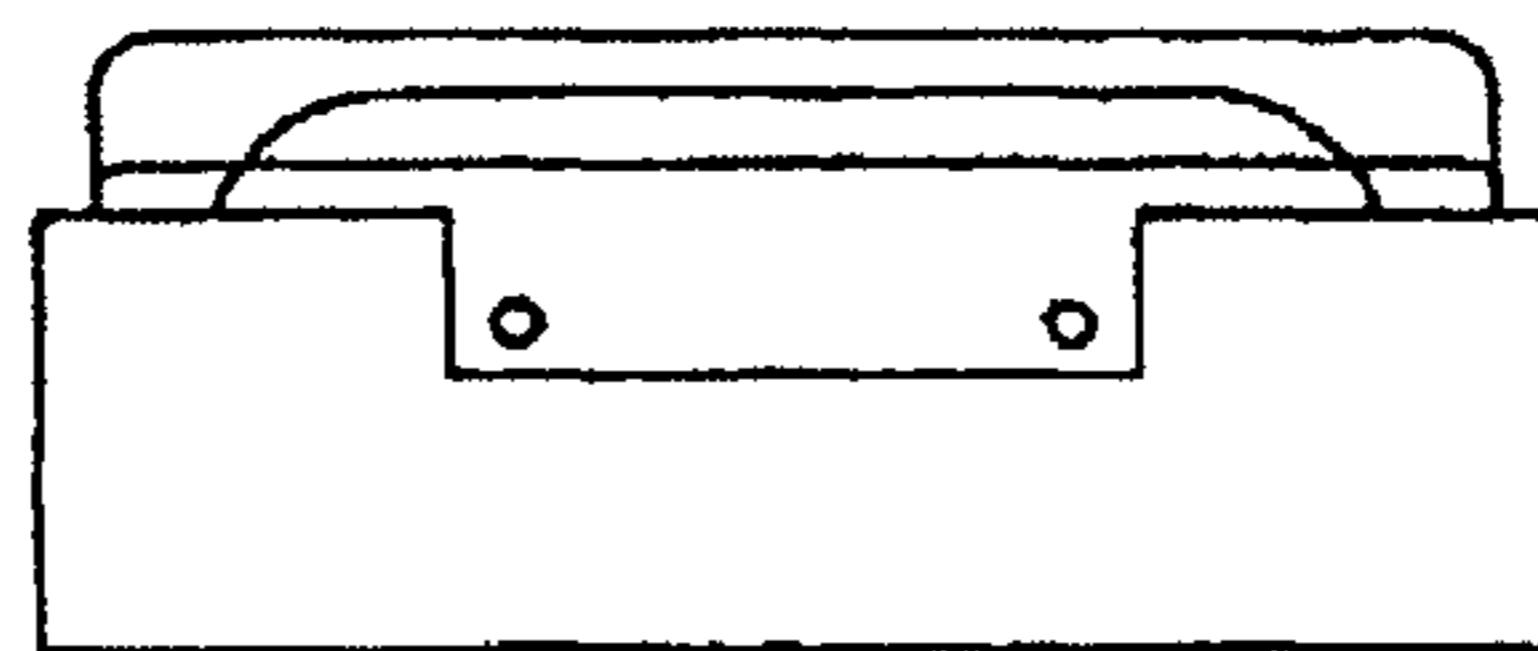


Fig. 7

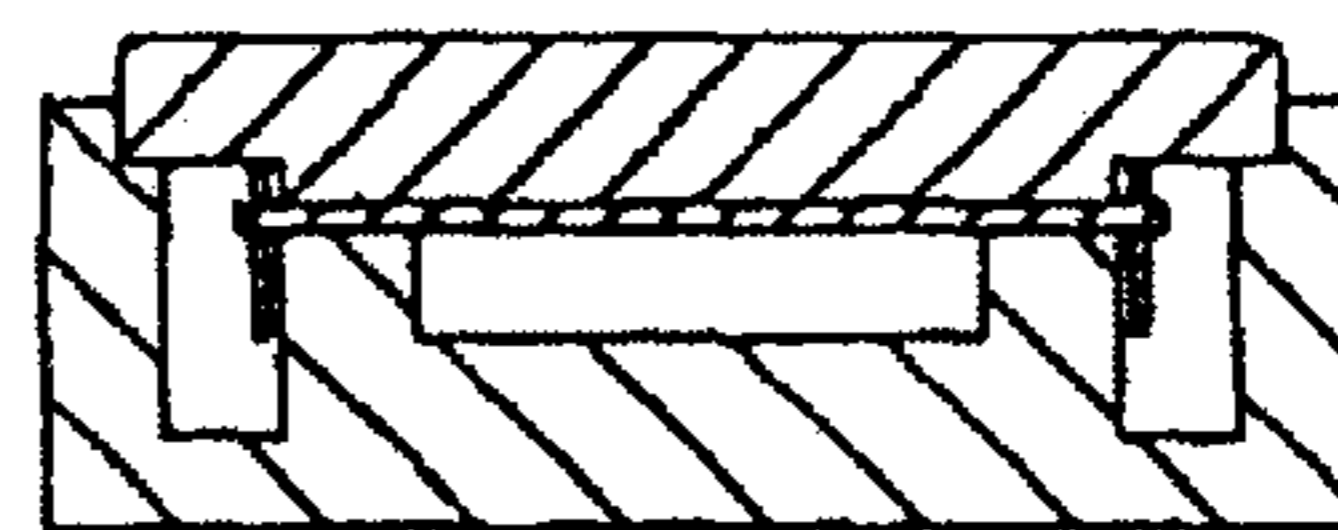


Fig. 8