



US00D526582S

(12) **United States Design Patent**
Stekelenburg

(10) **Patent No.:** **US D526,582 S**

(45) **Date of Patent:** **** Aug. 15, 2006**

(54) **OUTDOOR TIMER CORD**

(76) Inventor: **Albert Stekelenburg**, 9th Fl., 102
Kuang-Fu S. Rd., Taipei (TW)

(**) Term: **14 Years**

(21) Appl. No.: **29/220,327**

(22) Filed: **Dec. 30, 2004**

(51) **LOC (8) Cl.** **10-03**

(52) **U.S. Cl.** **D10/40**

(58) **Field of Classification Search** D10/40;
D13/137.1-137.4, 138.1-138.2, 139.1, 139.4;
307/141, 141.4; 368/10, 316-7, 107-121,
368/276-8, 285; 200/38 R, 38 D, 38 DA,
200/38 F; 439/650-653

See application file for complete search history.

D478,015 S * 8/2003 Stekelenburg D10/40
D479,473 S * 9/2003 Stekelenburg D10/40
6,923,684 B1 * 8/2005 Strayer 439/652
D514,518 S * 2/2006 Strayer D13/139.4

OTHER PUBLICATIONS

Camping World, Summer, 2002, item #21040, plug-in outdoor timer. Retrieved from the internet Feb. 17, 2006 using Google Advanced catalog search, URL:<:www.campingworld.com>.*

* cited by examiner

Primary Examiner—Lucy Lieberman
(74) *Attorney, Agent, or Firm*—Troxell Law Office, PLLC

(57) **CLAIM**

The ornamental design for an outdoor timer cord, as shown and described.

(56) **References Cited**

U.S. PATENT DOCUMENTS

D41,218 S * 3/1911 Wade et al. D13/133
D325,723 S * 4/1992 Gary et al. D13/139.4
D363,058 S * 10/1995 Humphreys D13/137.3
D399,826 S * 10/1998 Byrne D13/146
D409,980 S * 5/1999 Byrne D13/137.1
D435,514 S * 12/2000 Stekelenburg D13/137.3
D435,516 S * 12/2000 Stekelenburg D13/139.8
D440,942 S * 4/2001 Ewing et al. D13/139.1
D453,691 S * 2/2002 Stekelenburg D10/40

DESCRIPTION

FIG. 1 is a top view of an outdoor timer cord showing of my new design;

FIG. 2 is a front view thereof;

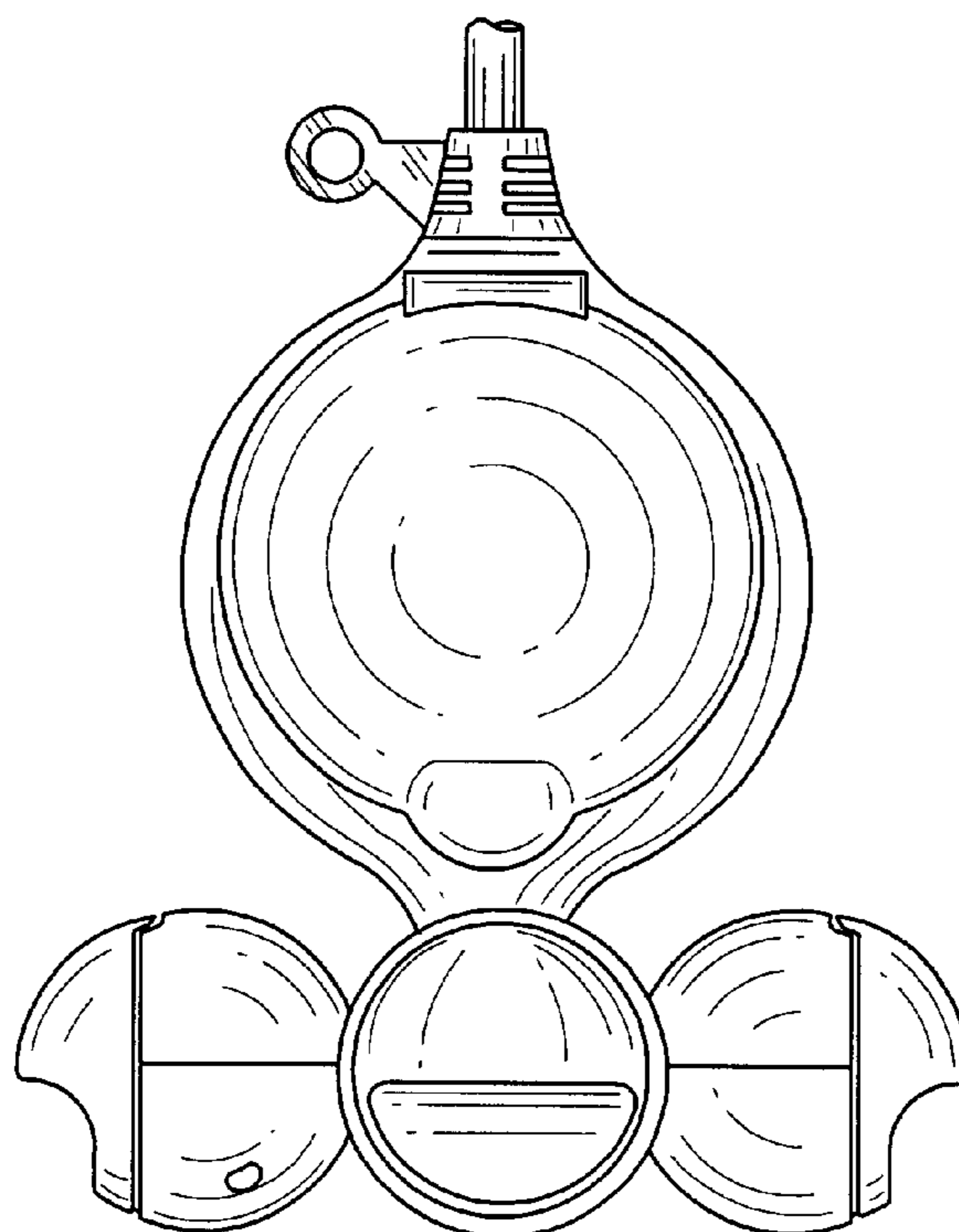
FIG. 3 is a rear view thereof;

FIG. 4 is a right side elevational view thereof;

FIG. 5 is a left side elevational view thereof; and,

FIG. 6 is a bottom view thereof.

1 Claim, 2 Drawing Sheets



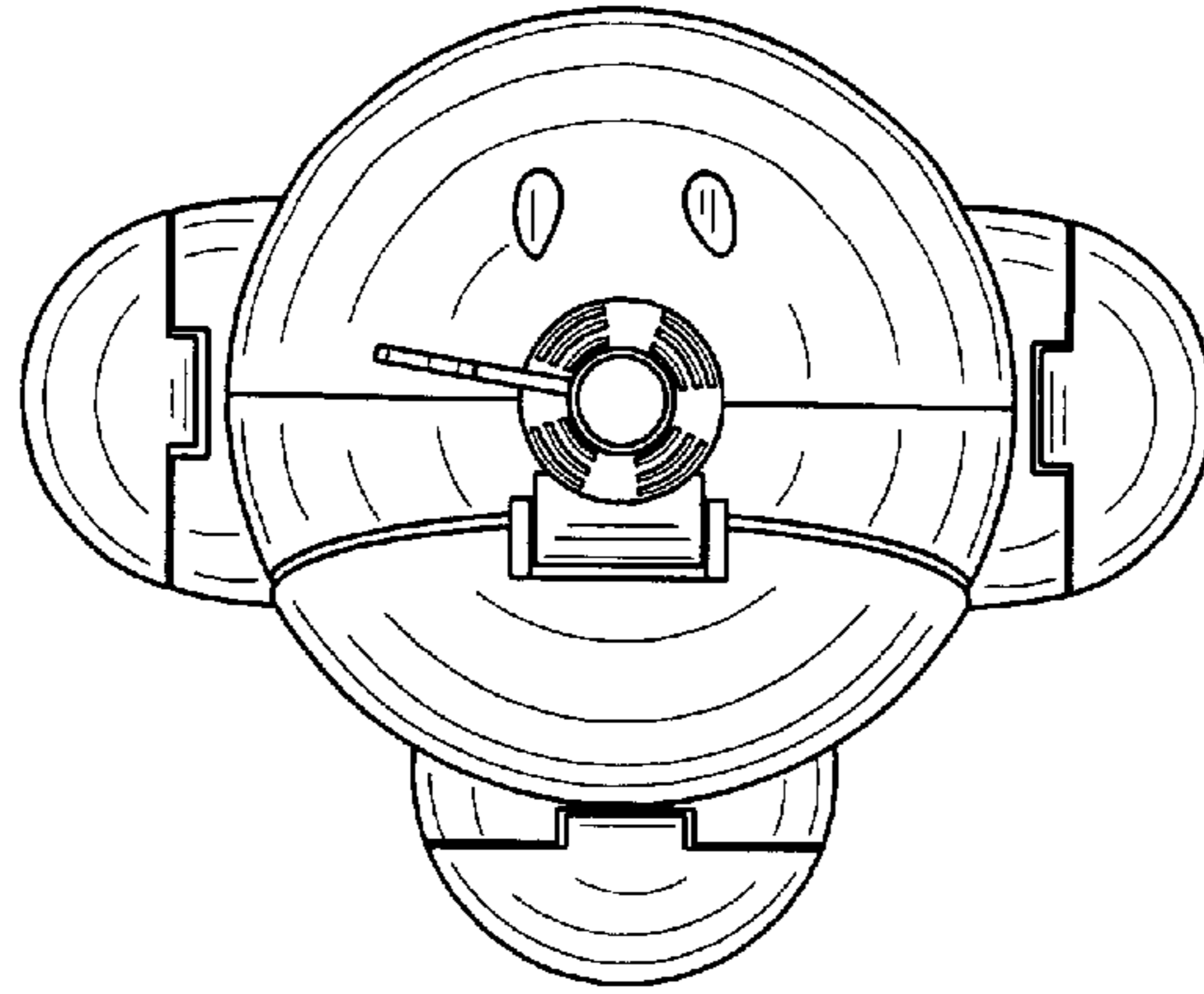


FIG. 1

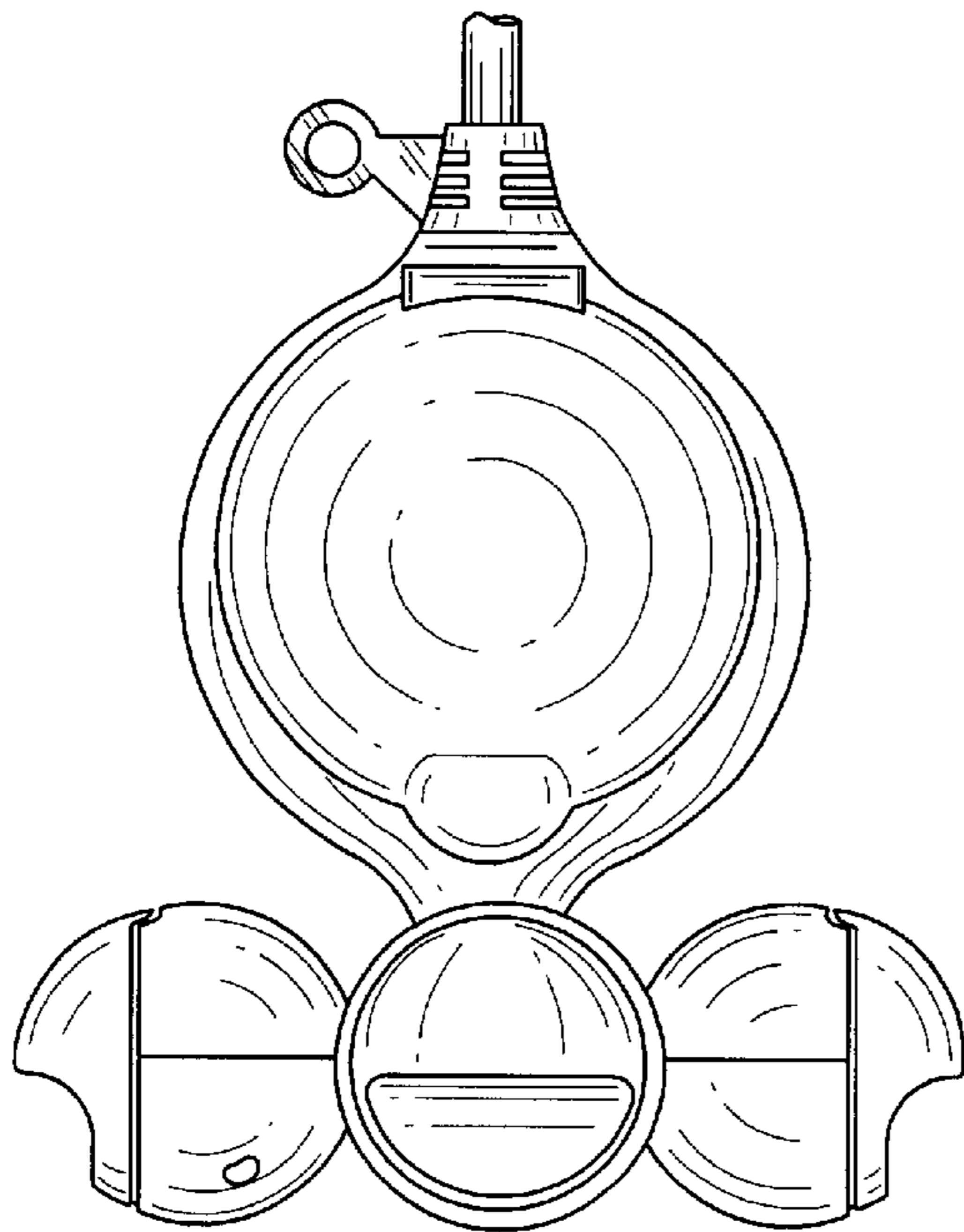


FIG. 2

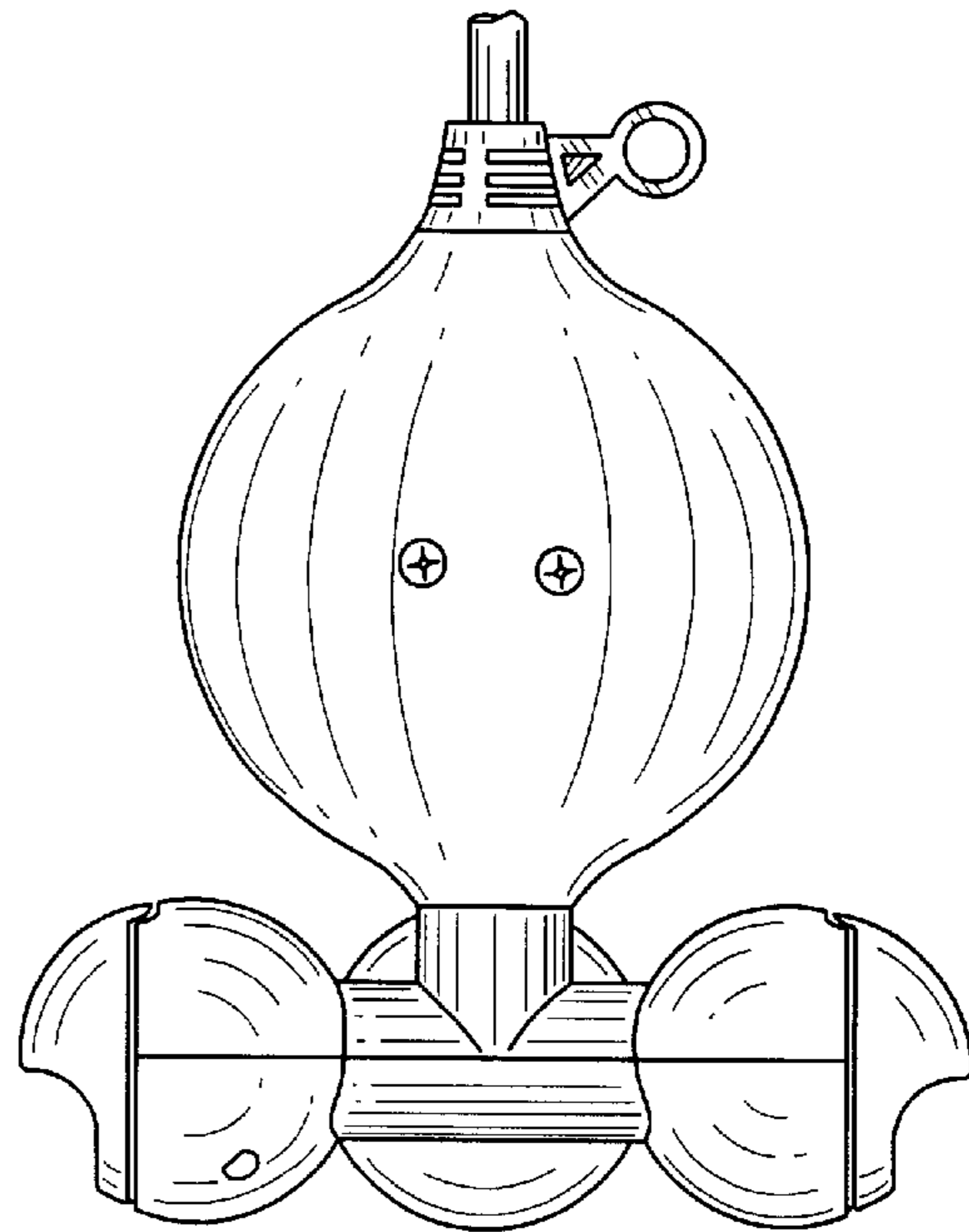


FIG. 3

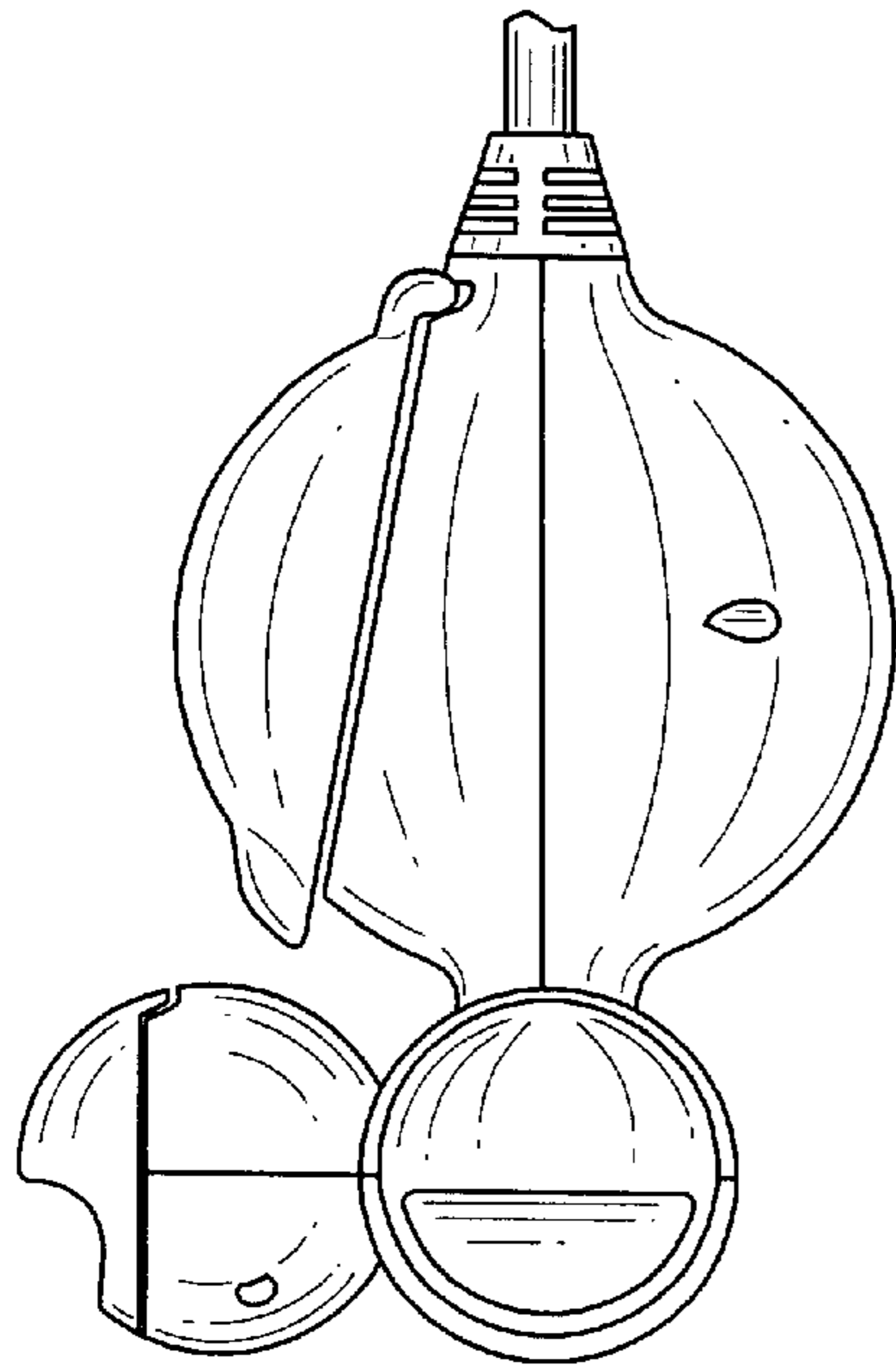


FIG. 4

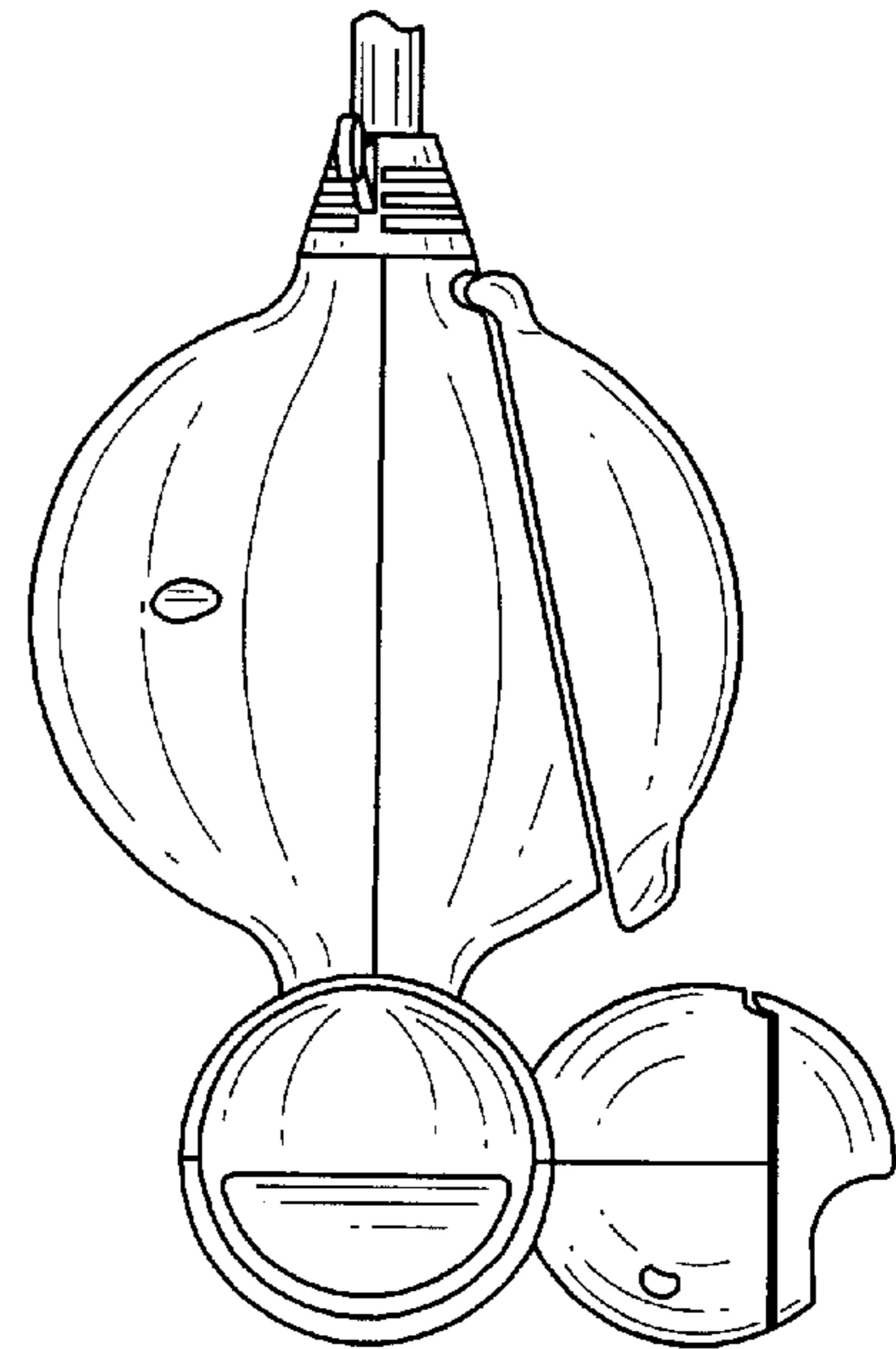


FIG. 5

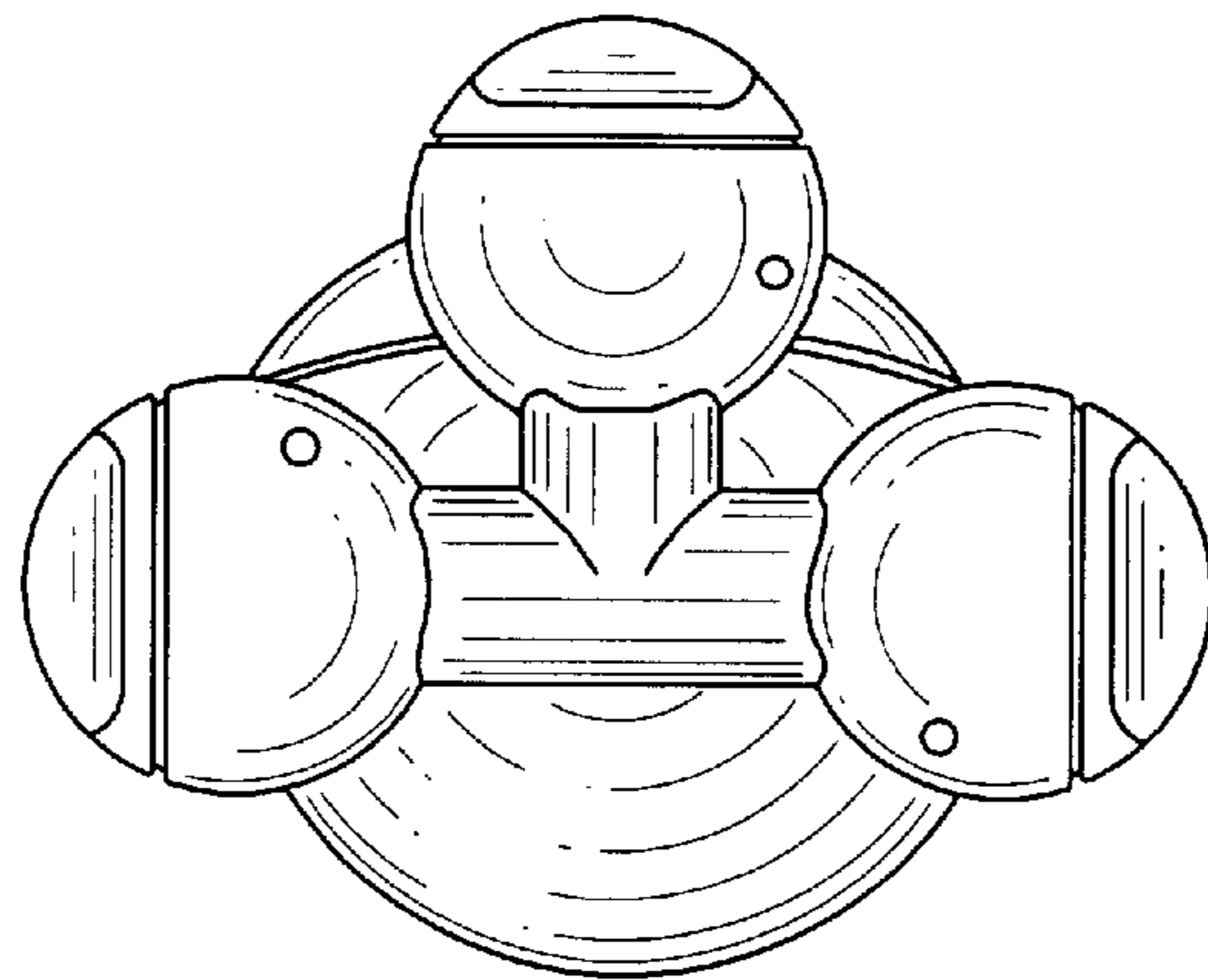


FIG. 6