

US00D526577S

(12) **United States Design Patent**
Moriai et al.

(10) **Patent No.:** **US D526,577 S**

(45) **Date of Patent:** **** Aug. 15, 2006**

(54) **WATCH CASE**
(75) Inventors: **Ryusuke Moriai**, Oume (JP); **Kotaro Nakazato**, Fujimi (JP)
(73) Assignee: **Casio Keisanki Kabushiki Kaisha**, Tokyo (JP)
(**) Term: **14 Years**

D427,917 S * 7/2000 Hanagata D10/30
D442,500 S * 5/2001 Moriai D10/30
D456,276 S * 4/2002 Shiraiishi D10/30
D489,999 S * 5/2004 Yamamoto D10/30
D496,289 S * 9/2004 Kojima et al. D10/30
D504,828 S * 5/2005 Moriai D10/30
D504,829 S * 5/2005 Moriai D10/30
D509,216 S * 9/2005 Yamamoto et al. D14/344

* cited by examiner

(21) Appl. No.: **29/224,140**
(22) Filed: **Feb. 25, 2005**

Primary Examiner—Lucy Lieberman
(74) *Attorney, Agent, or Firm*—Frishauf Holtz Goodman & Chick, P.C.

(51) **LOC (8) Cl.** **10-02**
(52) **U.S. Cl.** **D10/38**
(58) **Field of Classification Search** D10/30-39,
D10/122-132; 368/276, 281, 282, 285, 294,
368/295, 316, 317, 21-27, 28-30, 82-84,
368/226, 228, 232, 250, 239-242, 10, 223
See application file for complete search history.

(57) **CLAIM**

The ornamental design for a watch case, as shown.

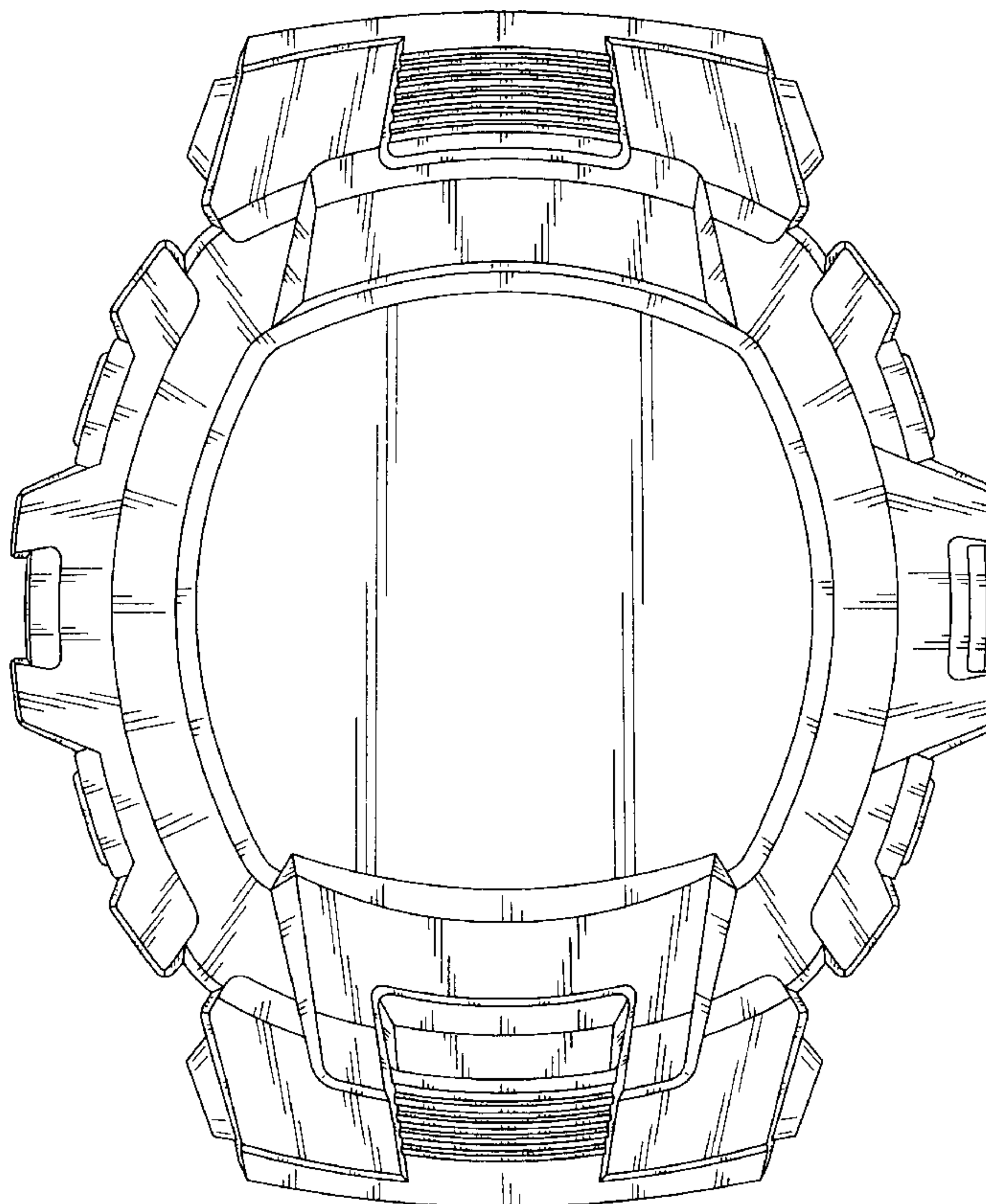
DESCRIPTION

FIG. 1 is a reduced scale front, right side, bottom perspective view of a watch case showing our new design;
FIG. 2 is a front elevational view thereof;
FIG. 3 is a rear elevational view thereof;
FIG. 4 is a left side view thereof;
FIG. 5 is a right side view thereof;
FIG. 6 is a top plan view thereof; and,
FIG. 7 is a bottom plan view thereof.

(56) **References Cited**
U.S. PATENT DOCUMENTS

D378,198 S * 2/1997 Tomita et al. D10/38
D401,160 S * 11/1998 Akagi D10/30
D418,430 S * 1/2000 Moriai D10/30
D426,778 S * 6/2000 Kojima D10/30
D426,780 S * 6/2000 Goto et al. D10/30

1 Claim, 6 Drawing Sheets



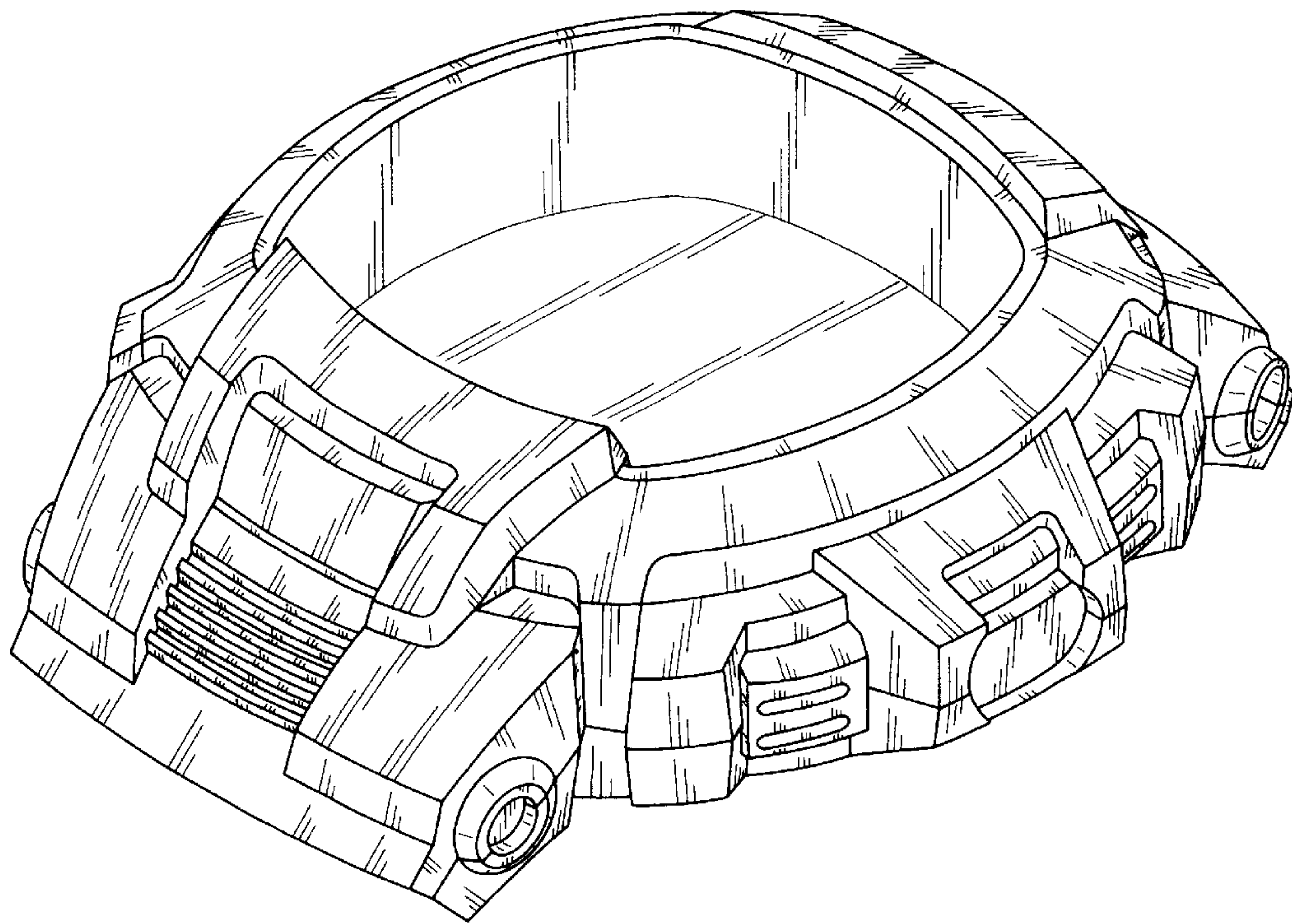


FIG. 1

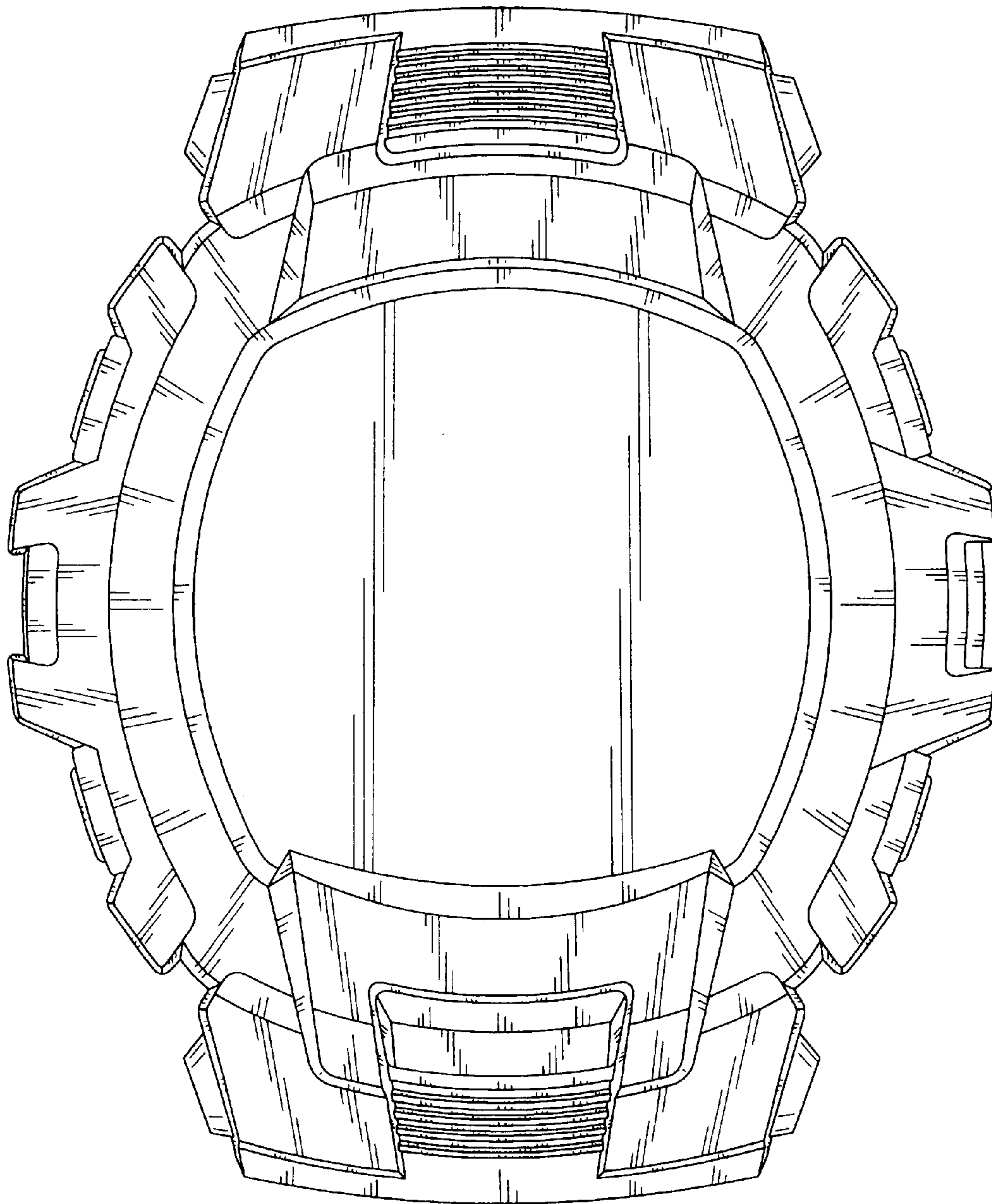


FIG. 2

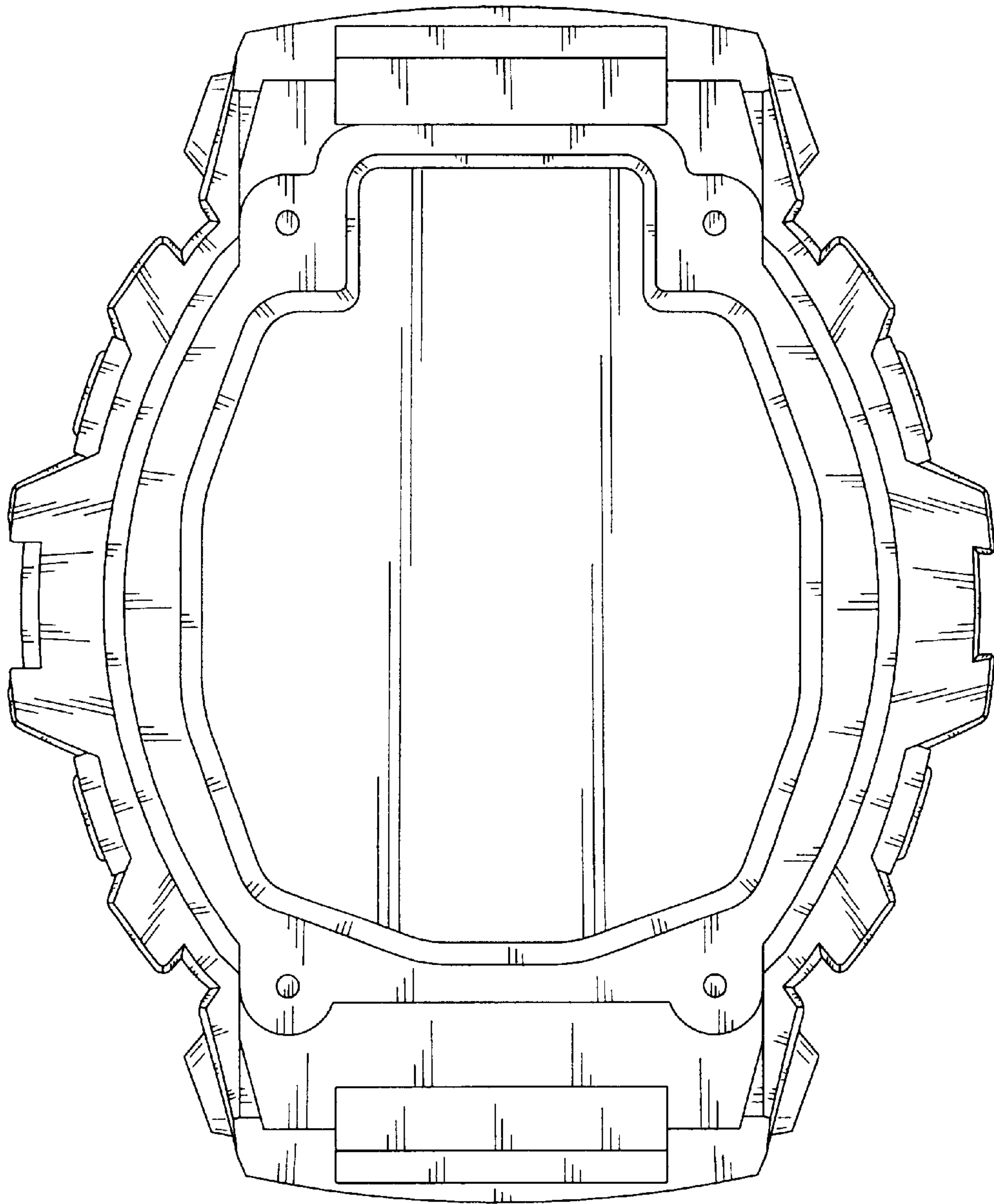


FIG. 3

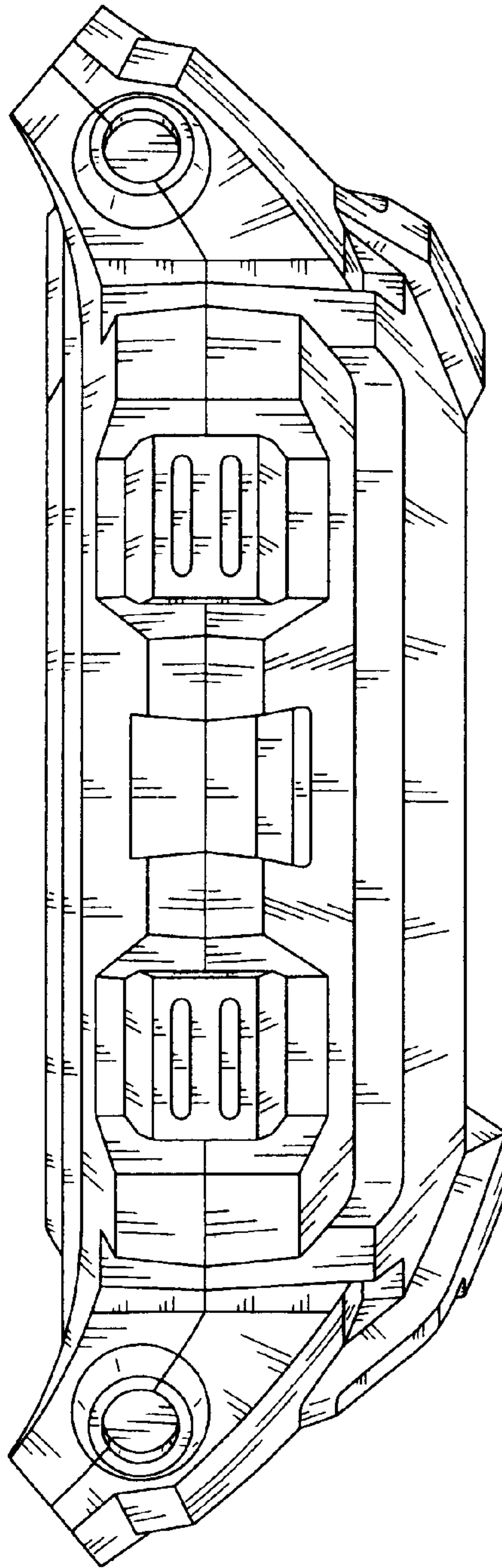


FIG. 4

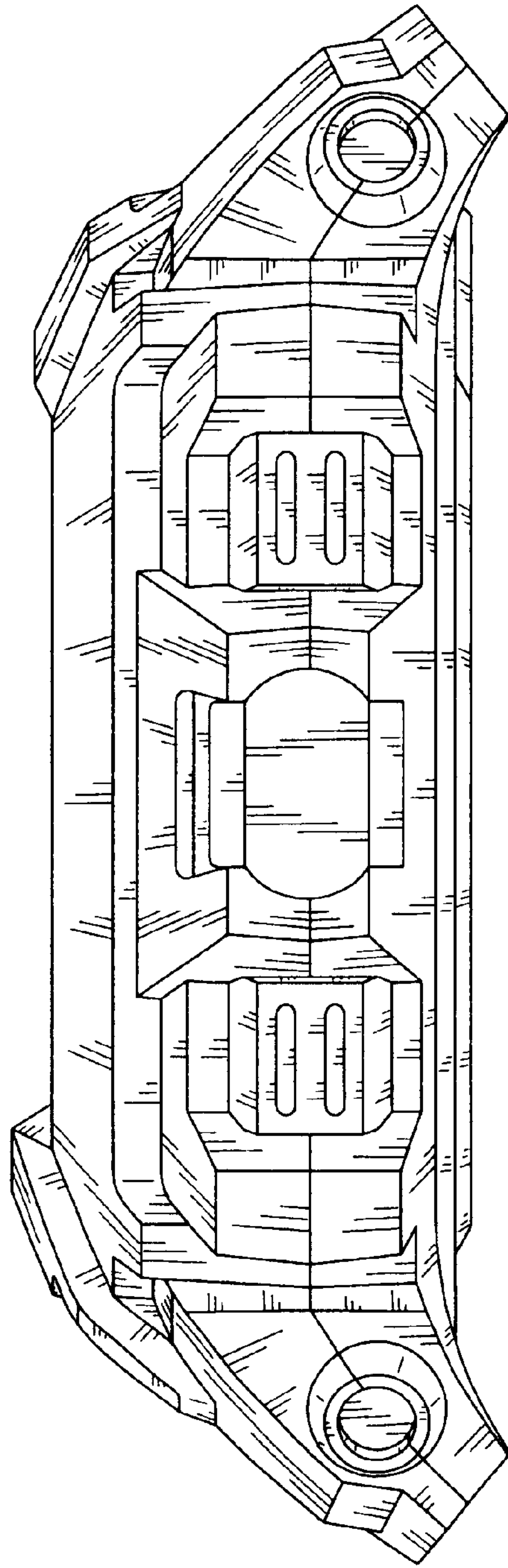


FIG. 5

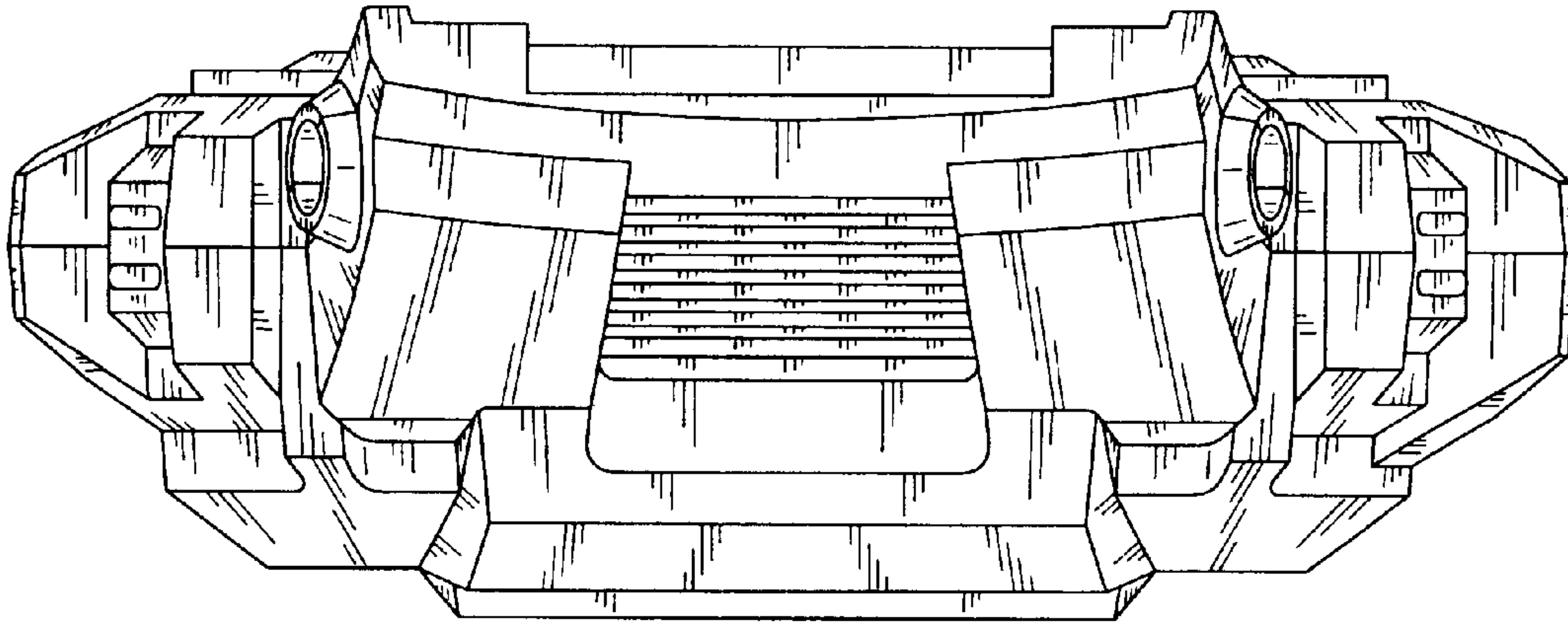


FIG. 6

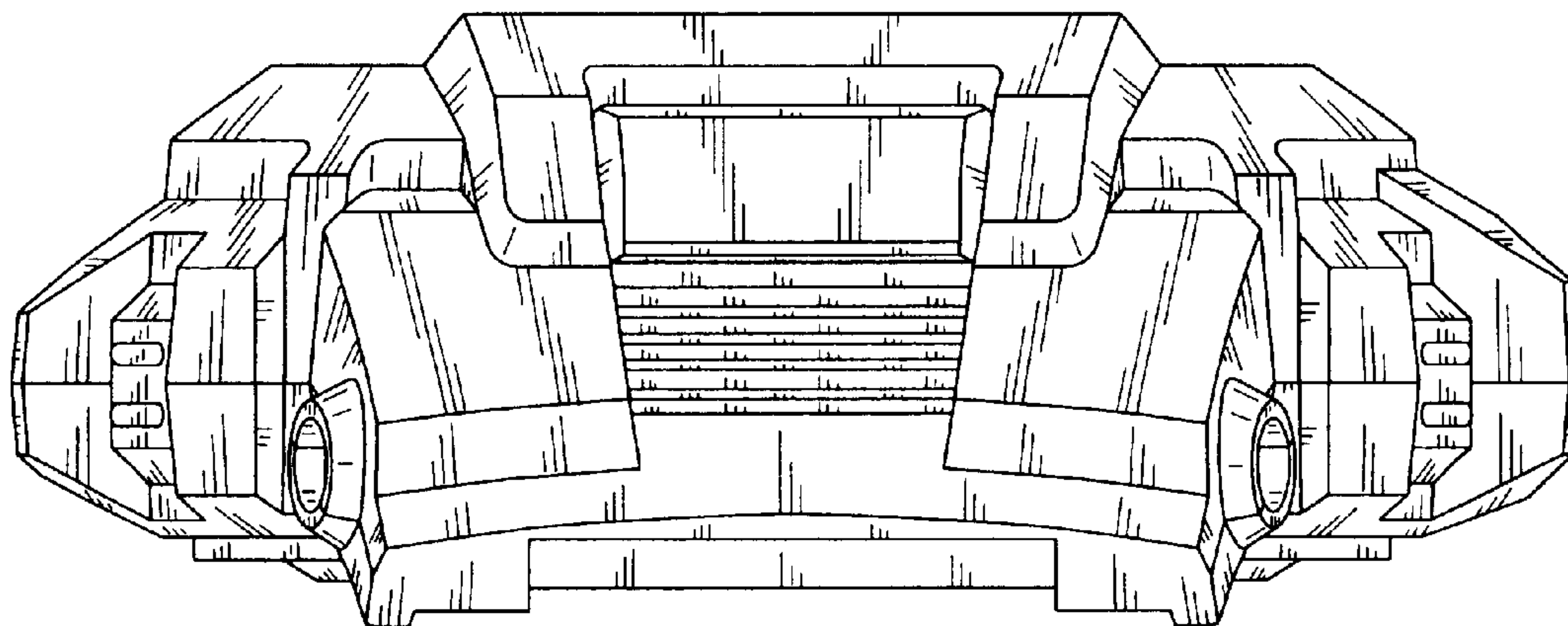


FIG. 7