



US00D526575S

(12) **United States Design Patent**  
**Shiraishi et al.**

(10) **Patent No.:** **US D526,575 S**

(45) **Date of Patent:** **\*\* Aug. 15, 2006**

(54) **WATCH CASE**

(75) Inventors: **Shunya Shiraishi**, Tachikawa (JP);  
**Ryusuke Moriai**, Oume (JP)

(73) Assignee: **Casio Keisanki Kabushiki Kaisha**,  
Tokyo (JP)

(\*\*) Term: **14 Years**

(21) Appl. No.: **29/224,138**

(22) Filed: **Feb. 25, 2005**

(51) **LOC (8) Cl.** ..... **10-02**

(52) **U.S. Cl.** ..... **D10/38**

(58) **Field of Classification Search** ..... D10/30-39,  
D10/122-132; 368/276, 281, 282, 285, 294,  
368/295, 316, 317, 21-27, 28-30, 82-84,  
368/226, 228, 232, 250, 239-242, 10, 223  
See application file for complete search history.

(56) **References Cited**

**U.S. PATENT DOCUMENTS**

D371,307 S	*	7/1996	Tomita et al.	.....	D10/38
D378,198 S	*	2/1997	Tomita et al.	.....	D10/38
D394,393 S	*	5/1998	Kojima	.....	D10/30
D394,397 S	*	5/1998	Goto	.....	D10/30
D418,429 S	*	1/2000	Goto	.....	D10/30

D426,780 S	*	6/2000	Goto et al.	.....	D10/30
D429,467 S	*	8/2000	Kojima	.....	D10/30
D441,302 S	*	5/2001	Tomimatsu	.....	D10/30
D451,823 S	*	12/2001	Moriai	.....	D10/30
D479,691 S	*	9/2003	Goto	.....	D10/30
D489,999 S	*	5/2004	Yamamoto	.....	D10/30
D504,829 S	*	5/2005	Moriai	.....	D10/30
D509,216 S	*	9/2005	Yamamoto et al.	.....	D14/344

\* cited by examiner

*Primary Examiner*—Lucy Lieberman

(74) *Attorney, Agent, or Firm*—Frishauf Holtz Goodman &  
Chick P.C.

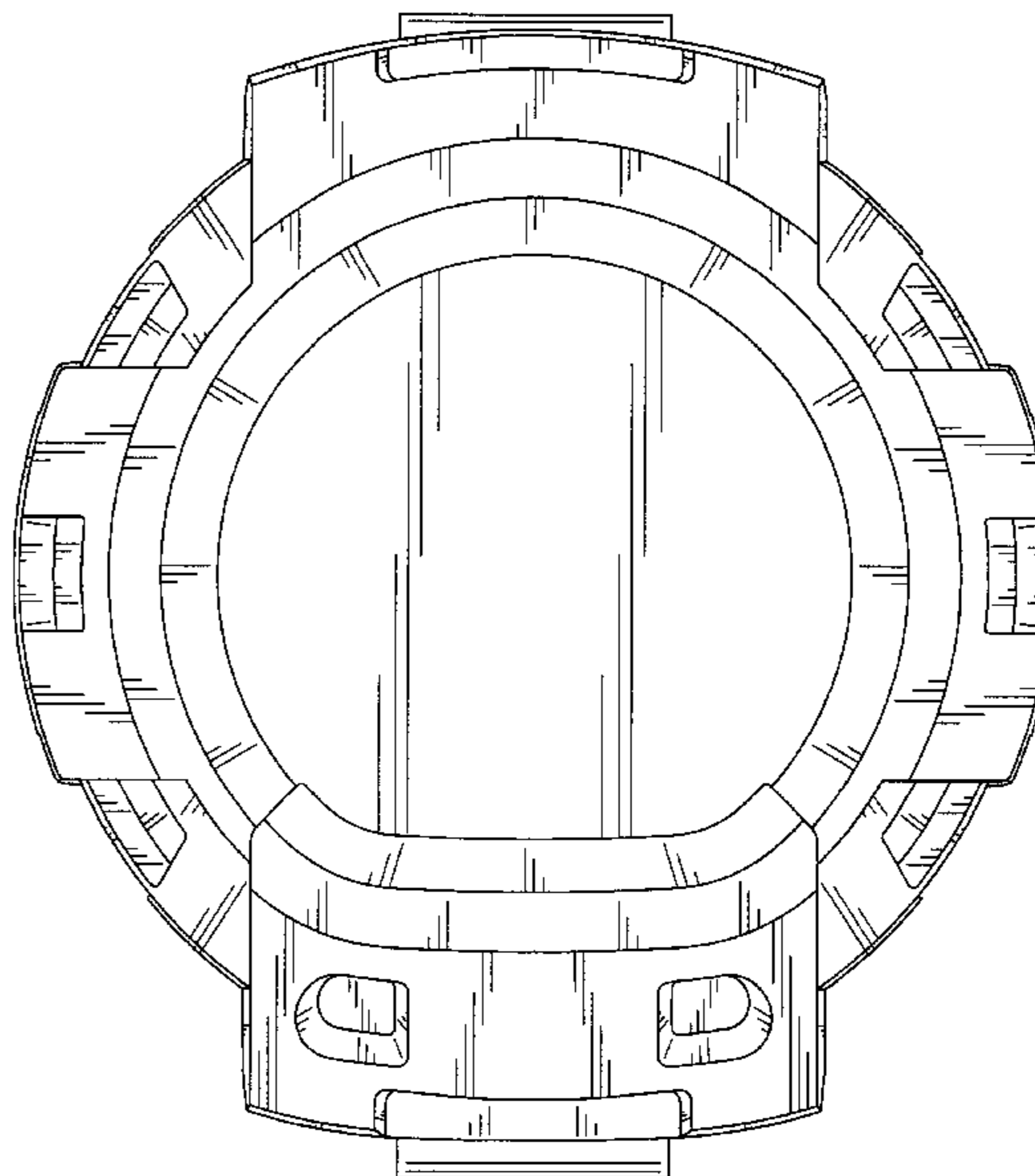
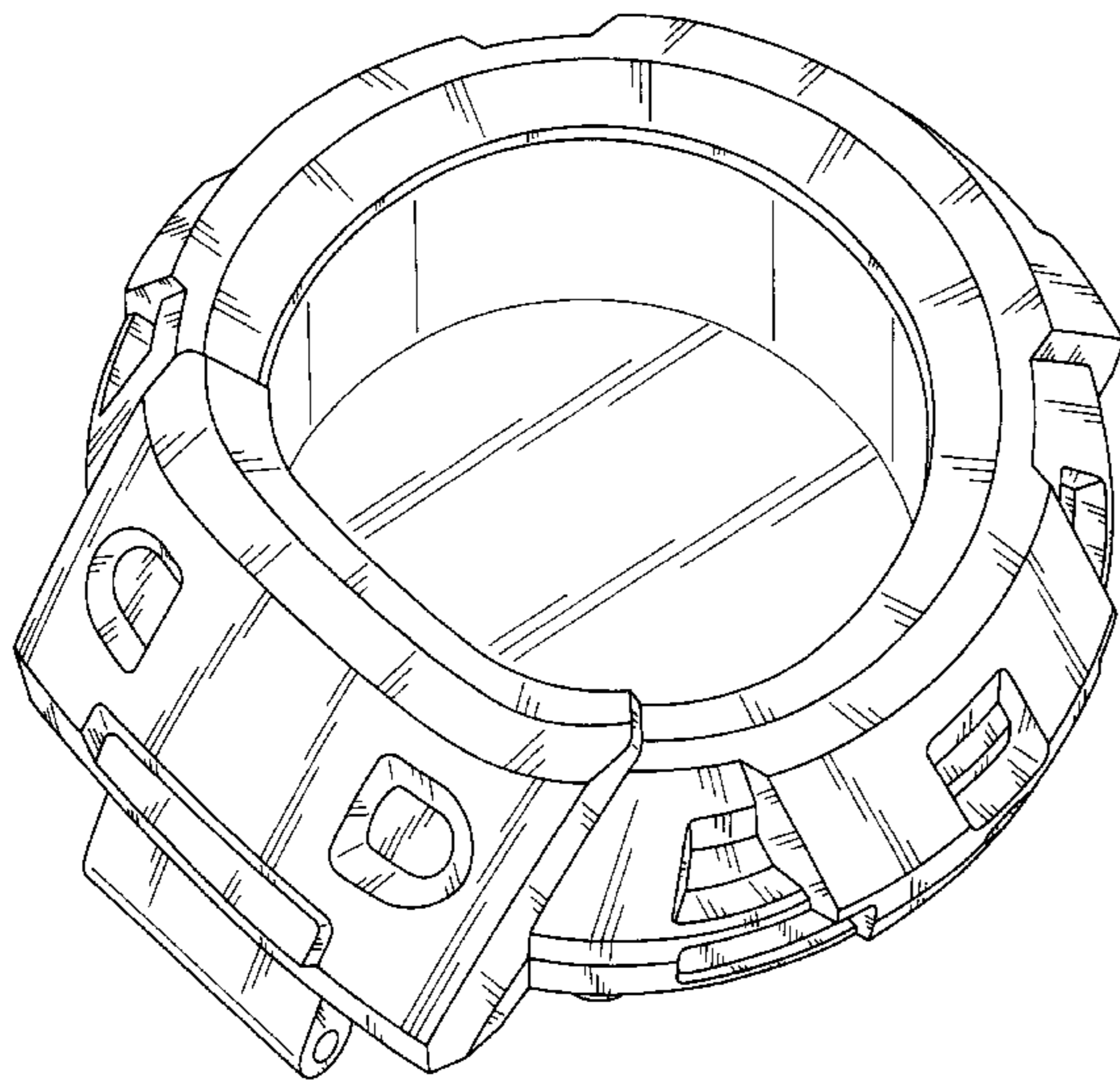
(57) **CLAIM**

The ornamental design for a watch case, as shown.

**DESCRIPTION**

FIG. 1 is a reduced scale front, right side, bottom perspective view of a watch case showing our new design;  
FIG. 2 is a front elevational view thereof;  
FIG. 3 is a rear elevational view thereof;  
FIG. 4 is a left side view thereof;  
FIG. 5 is a right side view thereof;  
FIG. 6 is a top plan view thereof; and,  
FIG. 7 is a bottom plan view thereof.

**1 Claim, 6 Drawing Sheets**



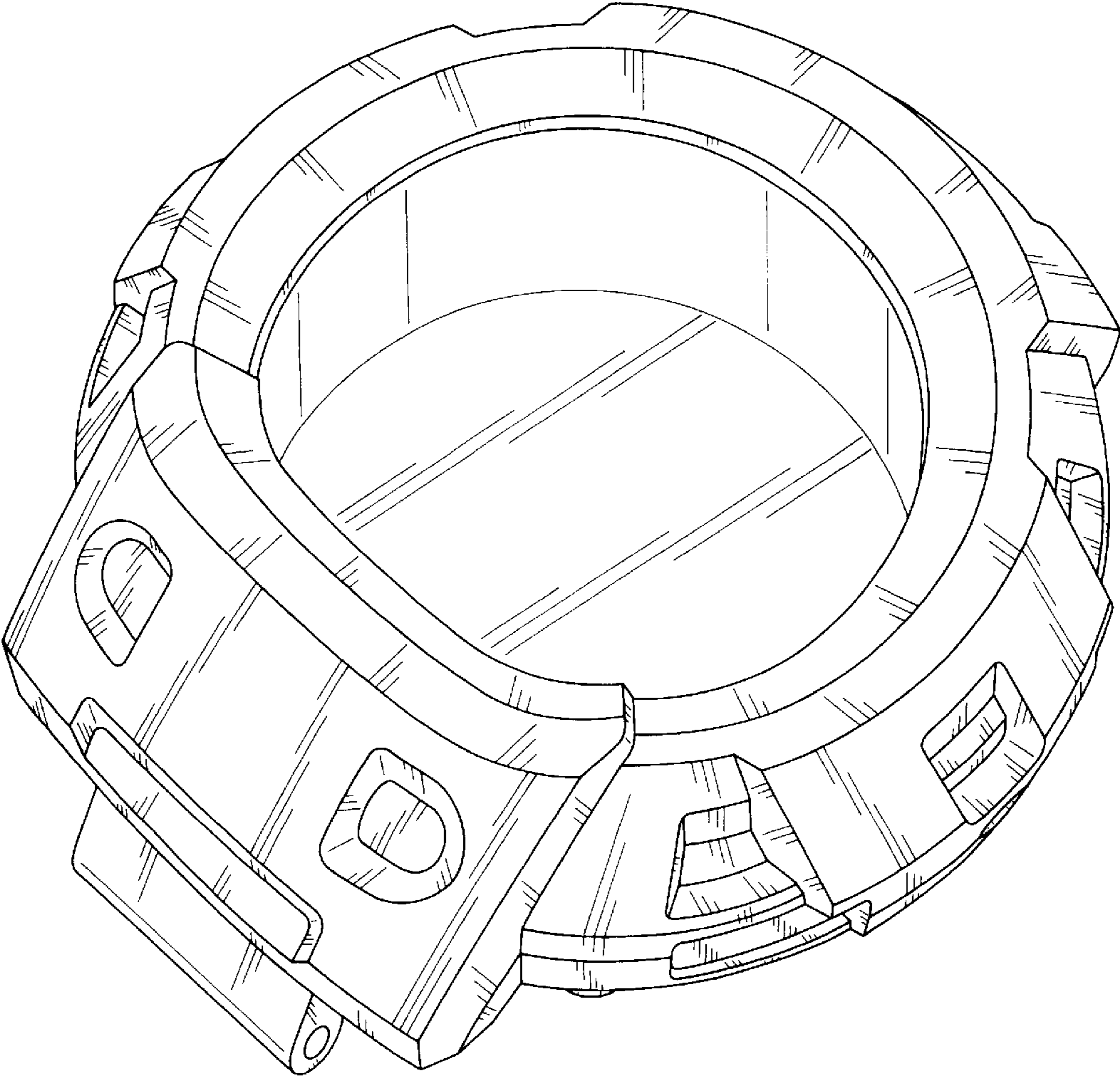


FIG. 1

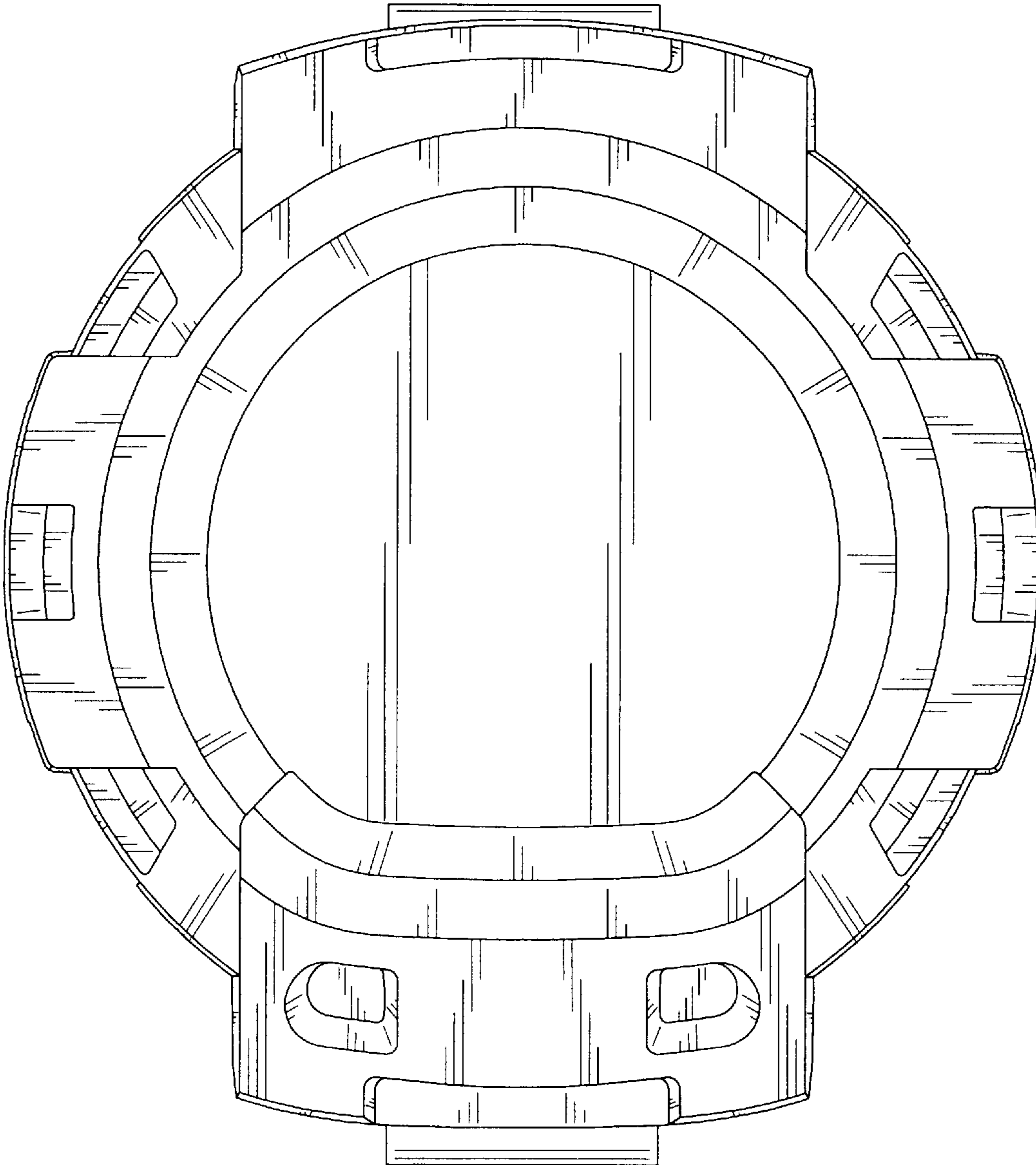


FIG. 2

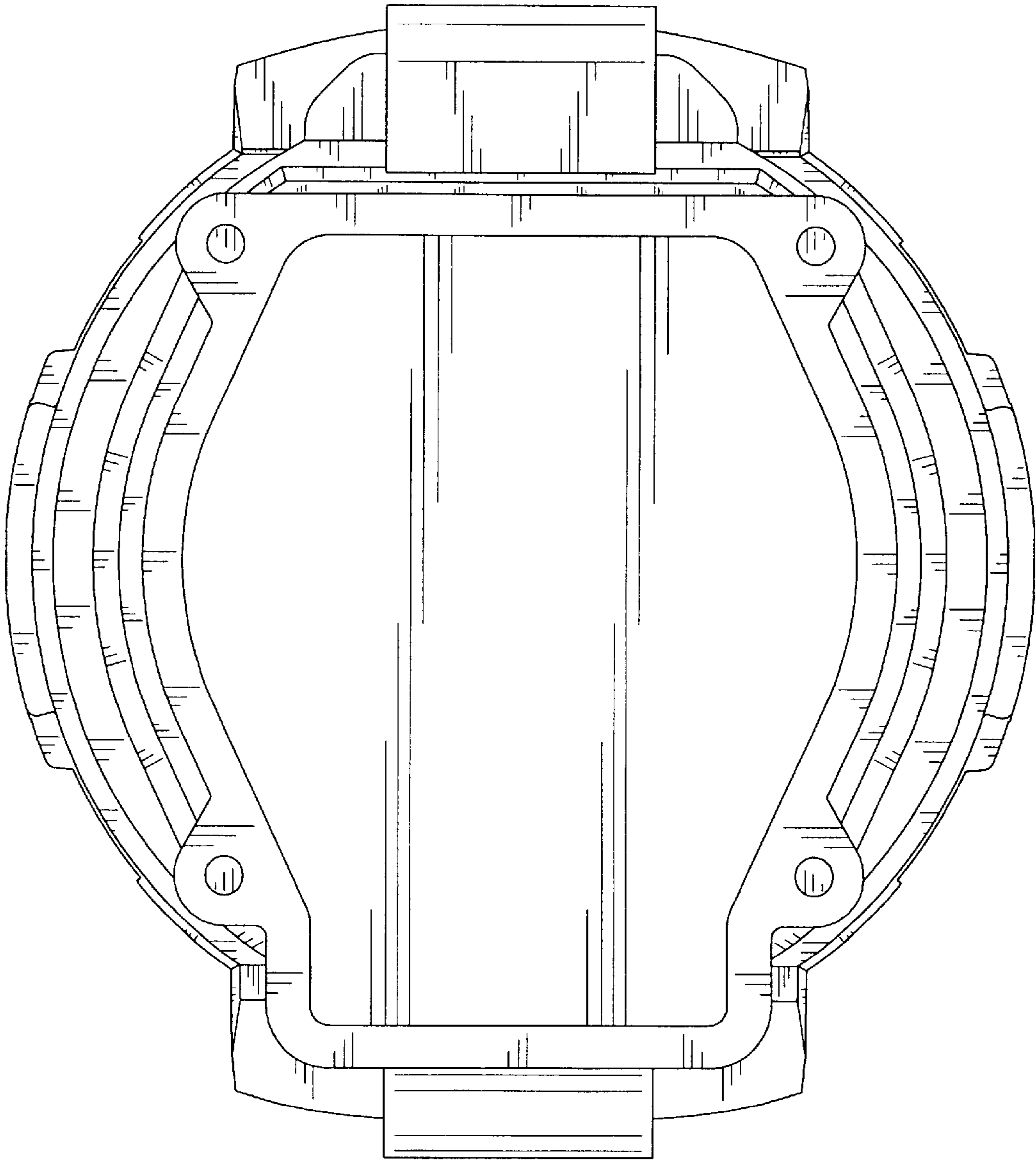


FIG. 3

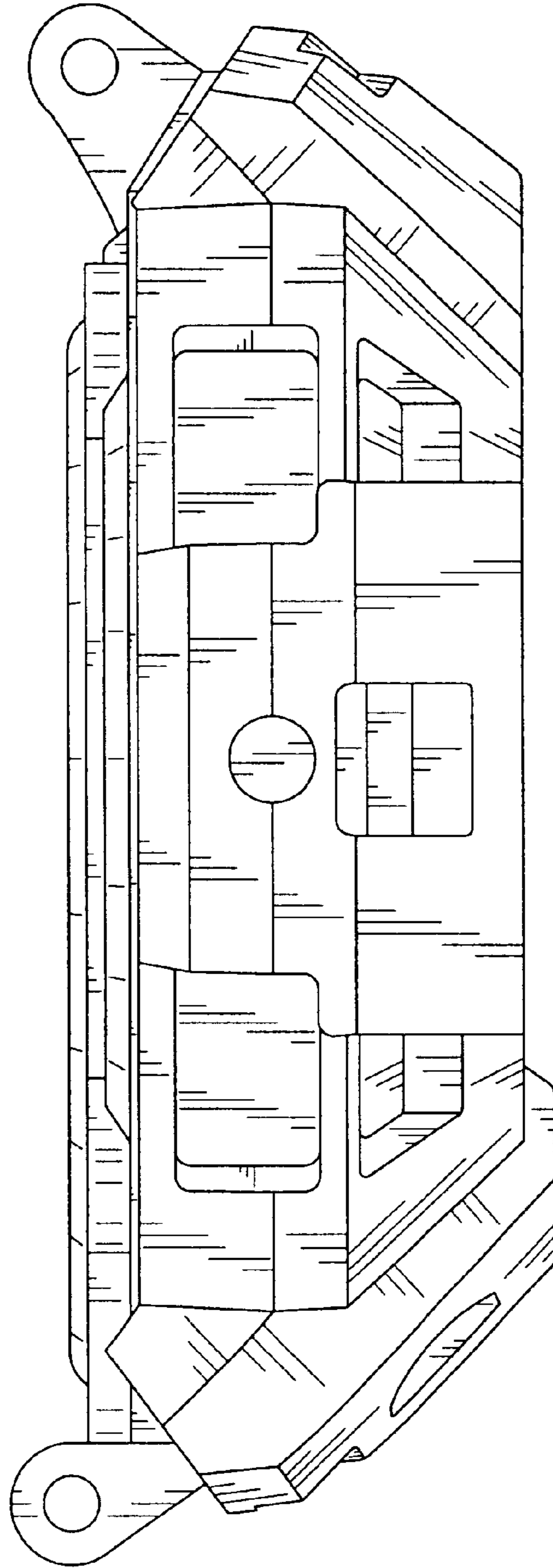


FIG. 4

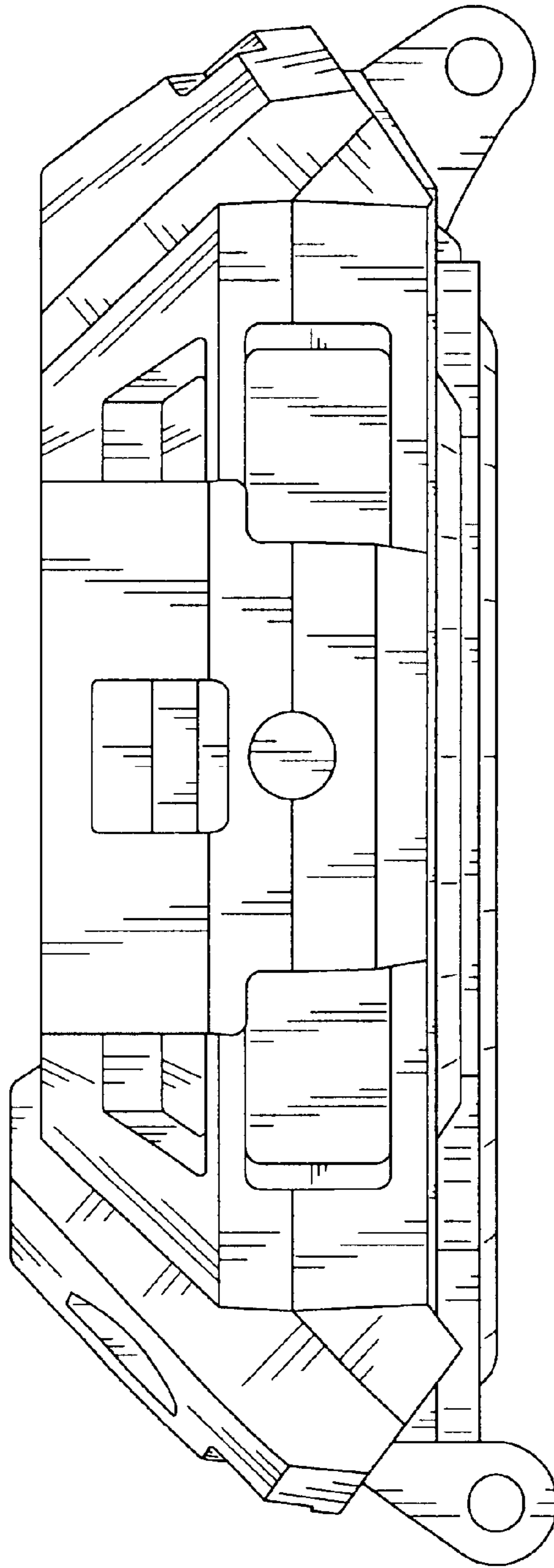


FIG. 5

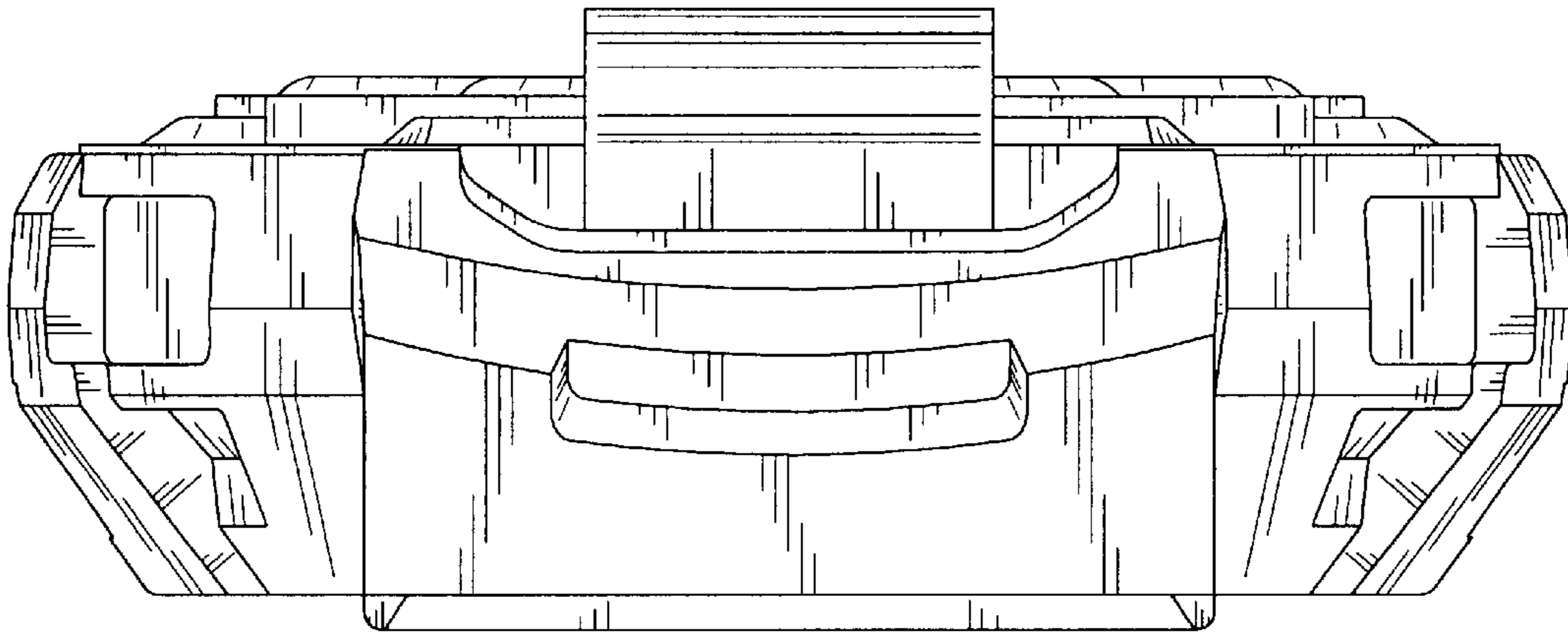


FIG. 6

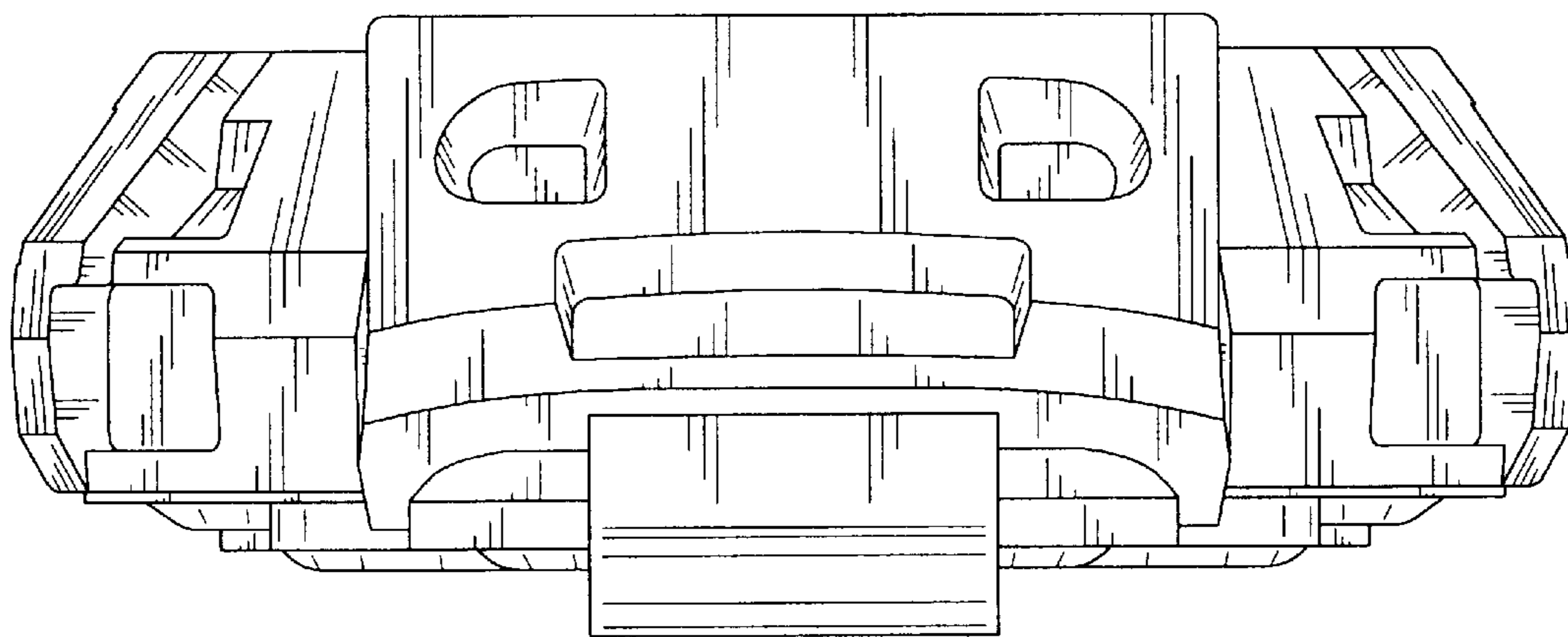


FIG. 7