



US00D526563S

(12) **United States Design Patent** (10) **Patent No.:** **US D526,563 S**  
**Halfacre et al.** (45) **Date of Patent:** **\*\* Aug. 15, 2006**

- (54) **VALVE**  
(75) Inventors: **J. Wayne Halfacre**, New Fairfield, CT (US); **John S. Gruver**, New Canaan, CT (US); **Christian Randhahn**, Bethel, CT (US); **Charles A. Curtiss**, Norwalk, CT (US); **Stuart Leslie**, Larchmont, NY (US); **Christopher J. Matice**, Bellbrook, OH (US); **Stephen P. DeHoff**, Cincinnati, OH (US)  
(73) Assignee: **Nestle Waters North America, Inc.**, Greenwich, CT (US)  
(\*\*) Term: **14 Years**  
(21) Appl. No.: **29/192,434**  
(22) Filed: **Oct. 24, 2003**  
(51) **LOC (8) Cl.** ..... **09-07**  
(52) **U.S. Cl.** ..... **D9/447; D7/398**  
(58) **Field of Classification Search** ..... D9/450, D9/449, 447, 440, 439, 435, 434, 443; D7/398, D7/397, 387, 320, 314, 313, 300; D23/233, D23/226, 213; 222/636, 631, 587, 546, 544, 222/529, 189.06, 455; 220/709, 705, 388; D11/221  
See application file for complete search history.

- (56) **References Cited**  
**U.S. PATENT DOCUMENTS**  
D146,795 S \* 5/1947 Hood ..... D9/450  
D200,230 S \* 2/1965 Seltsam ..... D7/398  
3,195,789 A \* 7/1965 Hoffman ..... 222/455  
3,355,068 A \* 11/1967 Harland et al. .... D7/398  
D285,538 S \* 9/1986 Trumstedt ..... D9/447  
D404,305 S \* 1/1999 De Baschmakoff ..... D9/449  
D429,153 S \* 8/2000 Gabriel et al. .... D9/447  
D440,631 S \* 4/2001 Shipway ..... D23/233

**OTHER PUBLICATIONS**  
DS Smith (UK) Limited, World Wide Dispensers Brochure, 2001, available at <[http://www.dssmith-plastics.com/downloads/English\\_WD.pdf](http://www.dssmith-plastics.com/downloads/English_WD.pdf)> (last visited Oct. 23, 2003).  
DS Smith (UK) Limited, World Wide Dispensers Press Taps Drawings, accessed at <<http://www.wwdusa.com/7-pd.html>> (as viewed on Sep. 9, 2002), currently available at <<http://www.wwdusa.com/drawpress.htm>> (last visited Oct. 23, 2003).

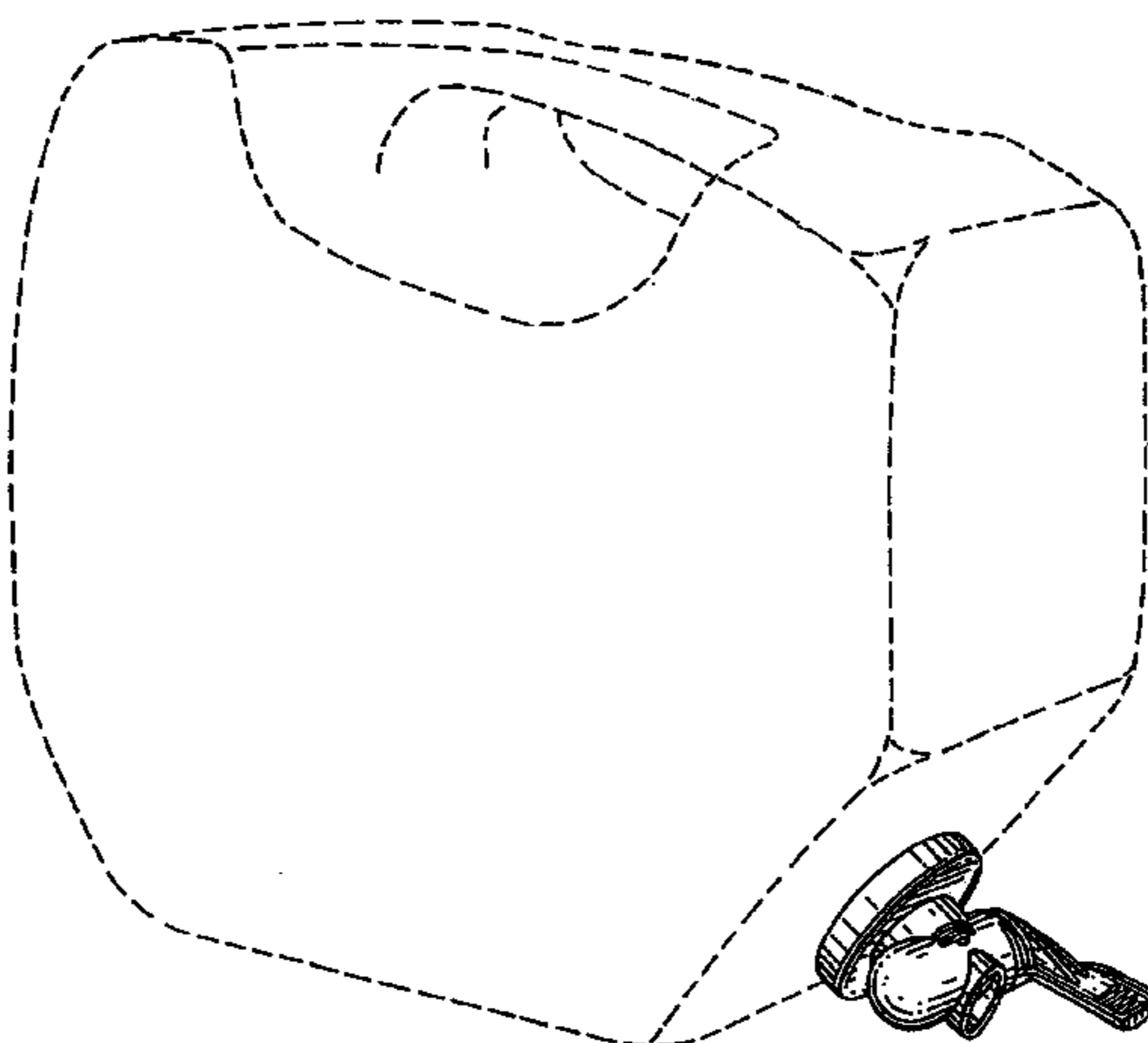
DS Smith (UK) Limited, World Wide Dispensers Press Taps Product Description, accessed at <<http://www.wwdusa.com/7-press.html>> (as viewed on Sep. 9, 2002), currently available at <<http://www.wwdusa.com/tappress.htm>> (last visited Oct. 23, 2003).

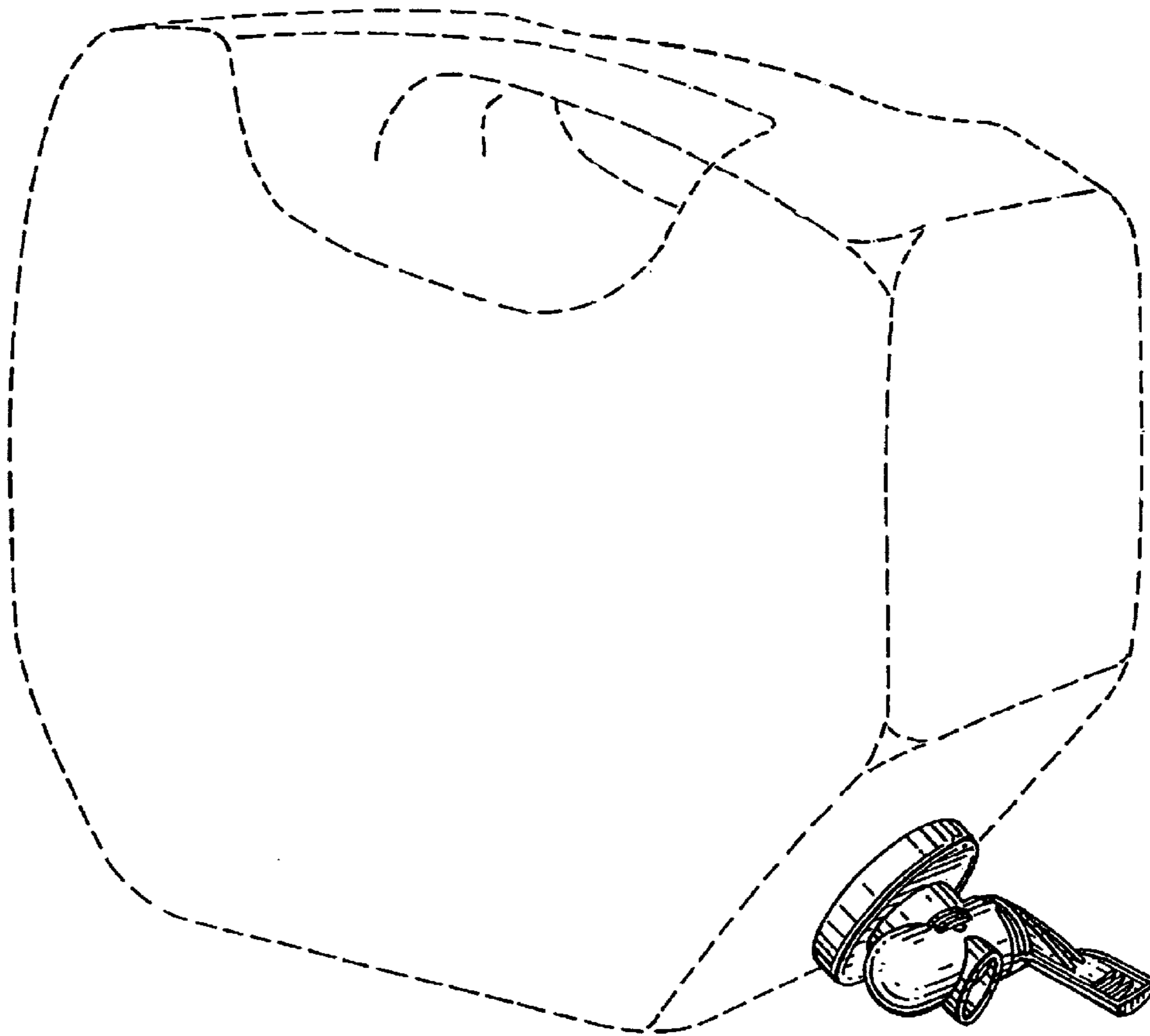
\* cited by examiner  
*Primary Examiner*—Robert M. Spear  
*Assistant Examiner*—Susan Bennett Hattan  
(74) *Attorney, Agent, or Firm*—Fish & Neave IP Group Ropes & Gray LLP; Jeffrey C. Aldridge

(57) **CLAIM**  
The ornamental design for a valve, as shown and described.

**DESCRIPTION**  
FIG. 1 is a top, front, left perspective view of a valve showing our new design in a first position;  
FIG. 2 is a top plan view thereof in the first position;  
FIG. 3 is a front elevational view thereof in the first position;  
FIG. 4 is a right side elevational view thereof in the first position;  
FIG. 5 is a left side elevational view thereof in the first position;  
FIG. 6 is a rear elevational view thereof in the first position;  
FIG. 7 is a bottom view thereof in the first position;  
FIG. 8 is a top, front, left perspective view thereof in a second position;  
FIG. 9 is a top plan view thereof in the second position;  
FIG. 10 is a front elevational view thereof in the second position;  
FIG. 11 is a right side elevational view thereof in the second position;  
FIG. 12 is a left side elevational view thereof in the second position;  
FIG. 13 is a rear elevational view thereof in the second position; and,  
FIG. 14 is a bottom view thereof in the second position.  
The broken lines in the drawings are for illustrative purposes only and form no part of the claimed design.

**1 Claim, 6 Drawing Sheets**





*FIG. 1*

FIG. 2

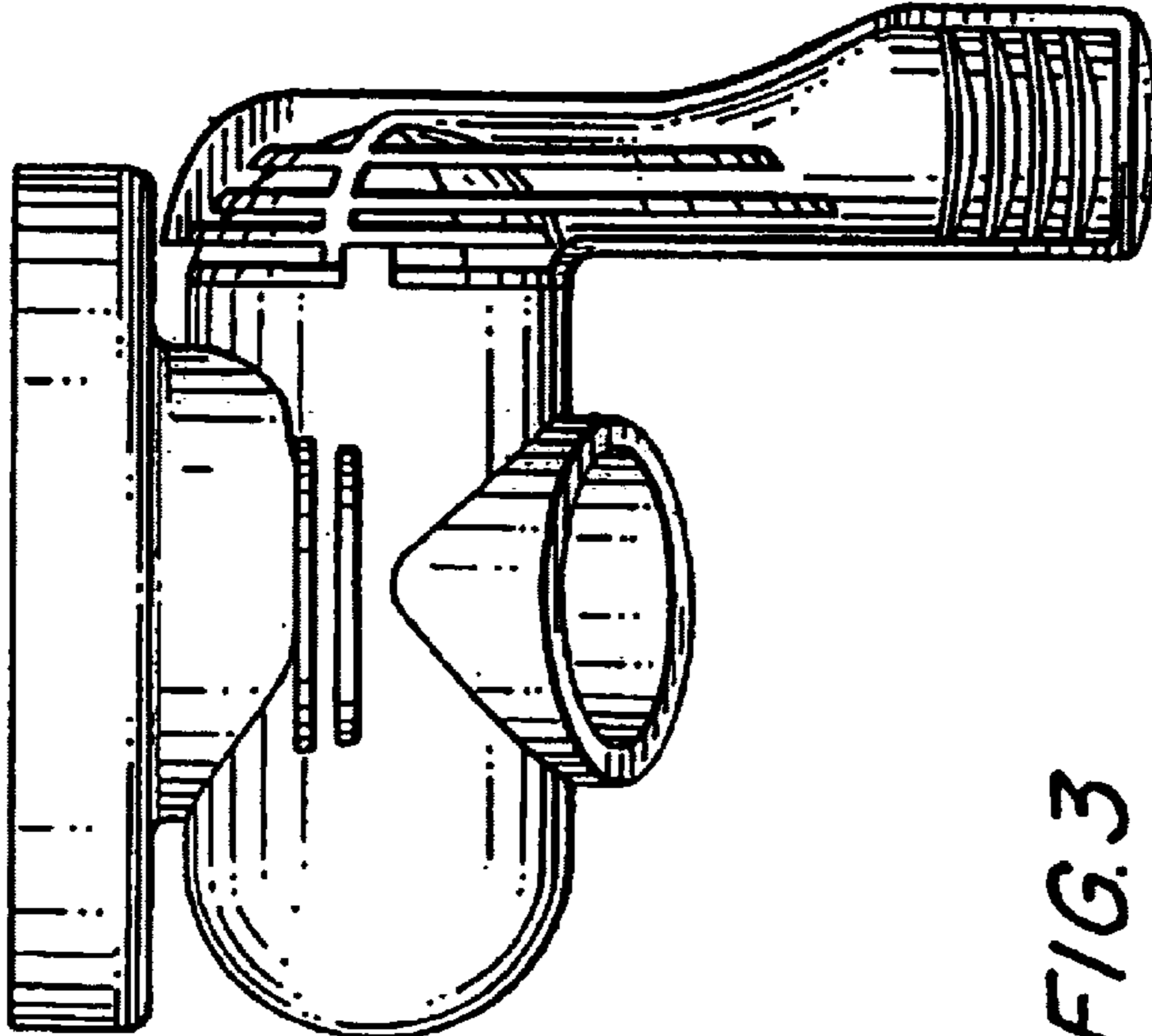


FIG. 4

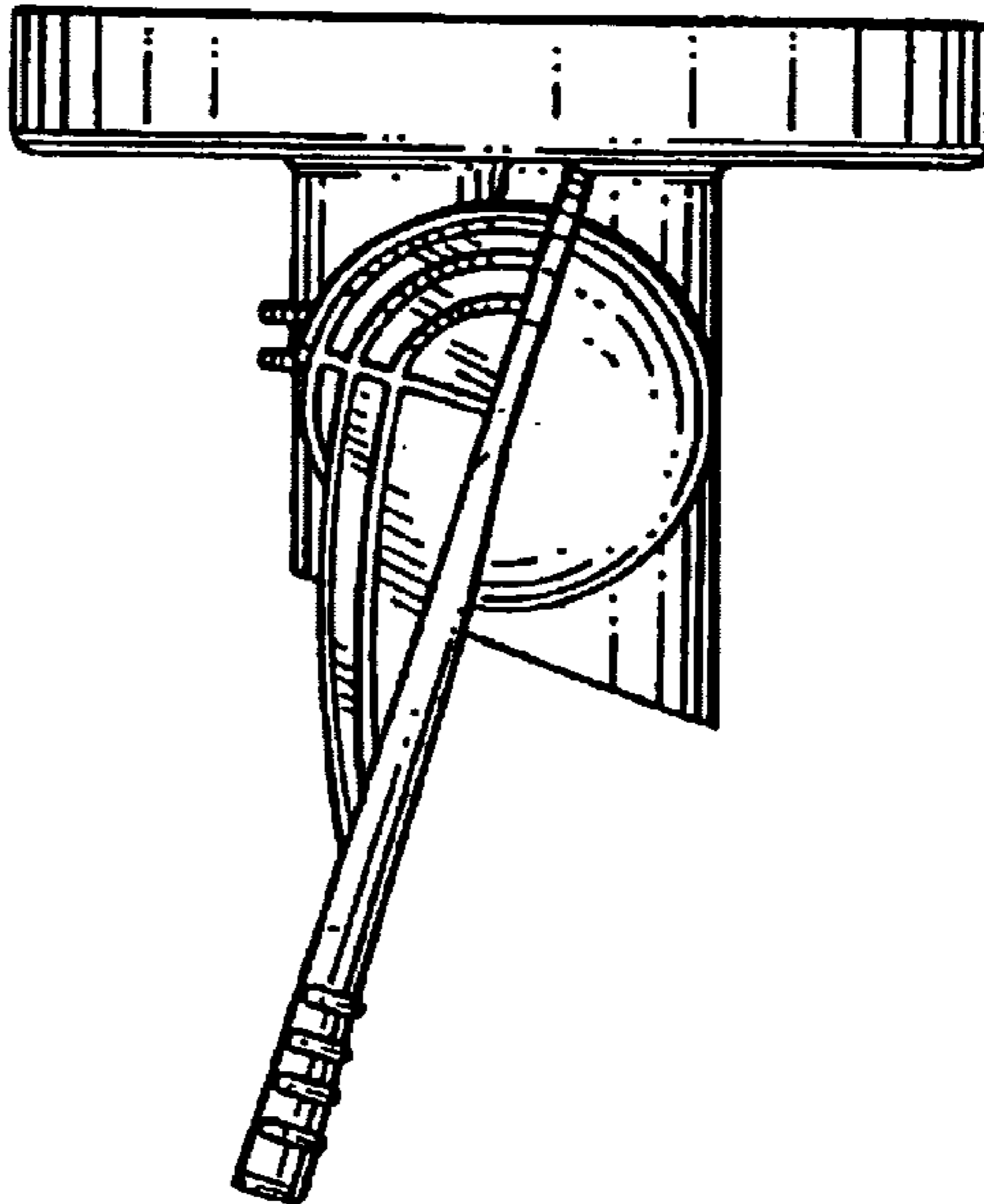
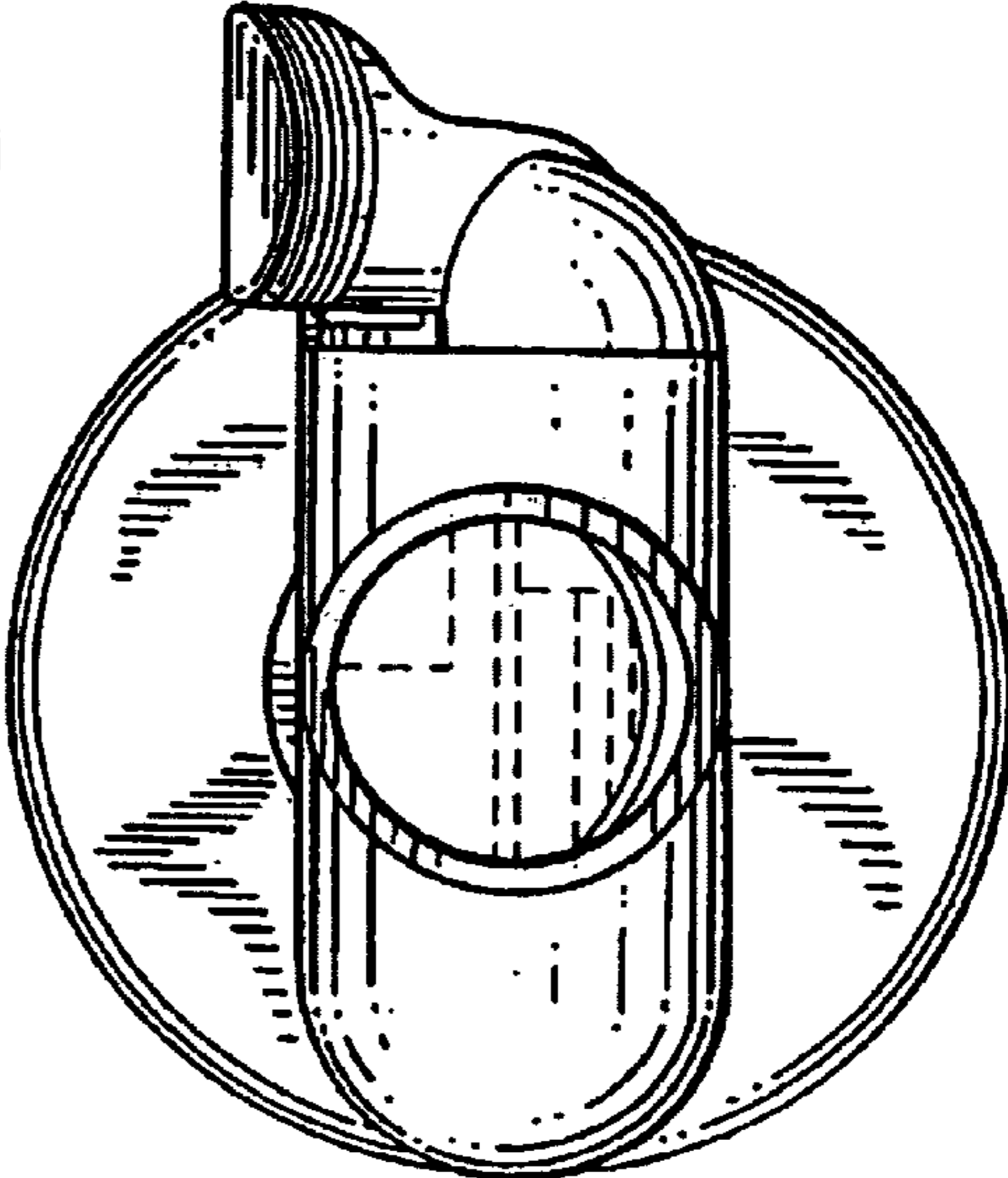
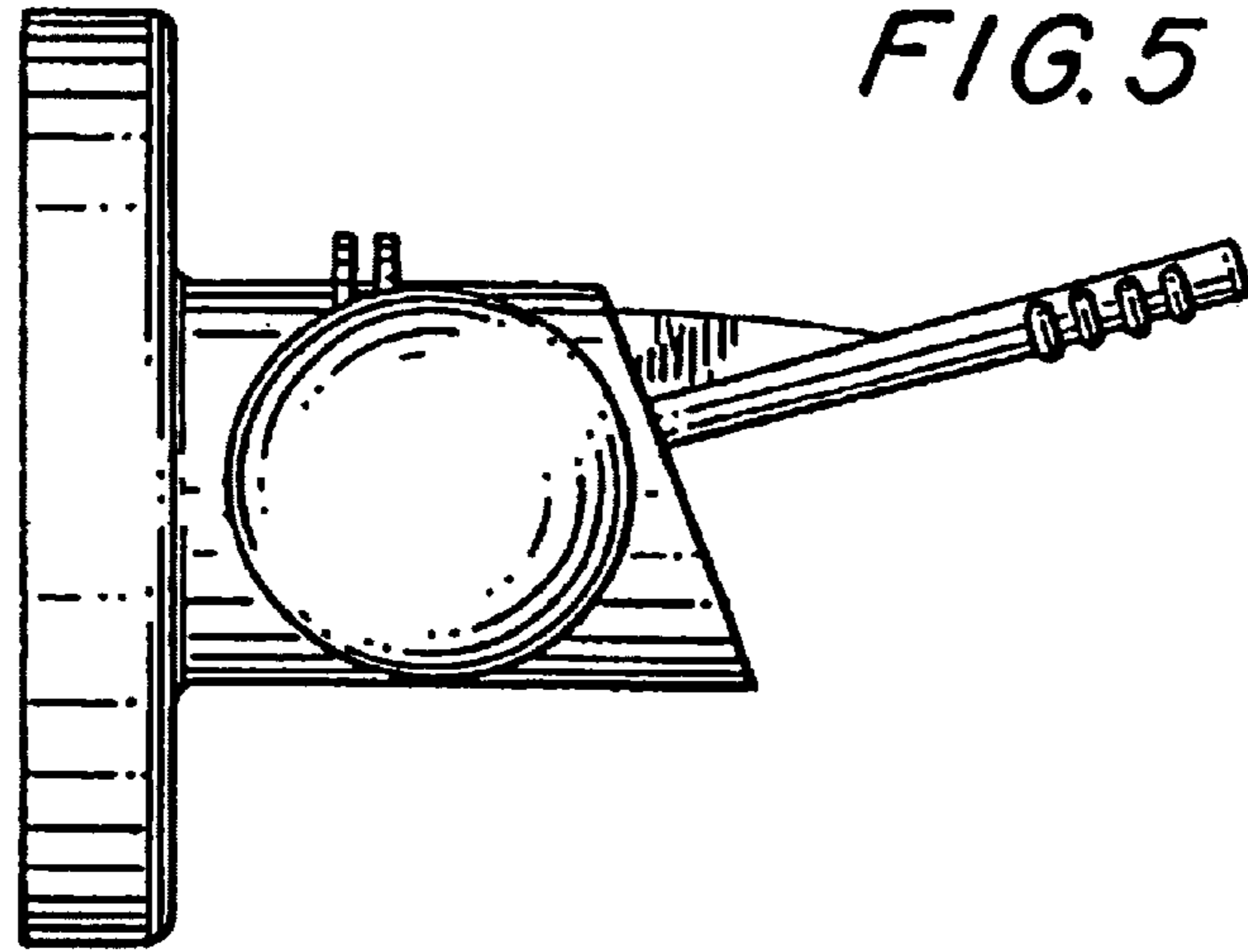
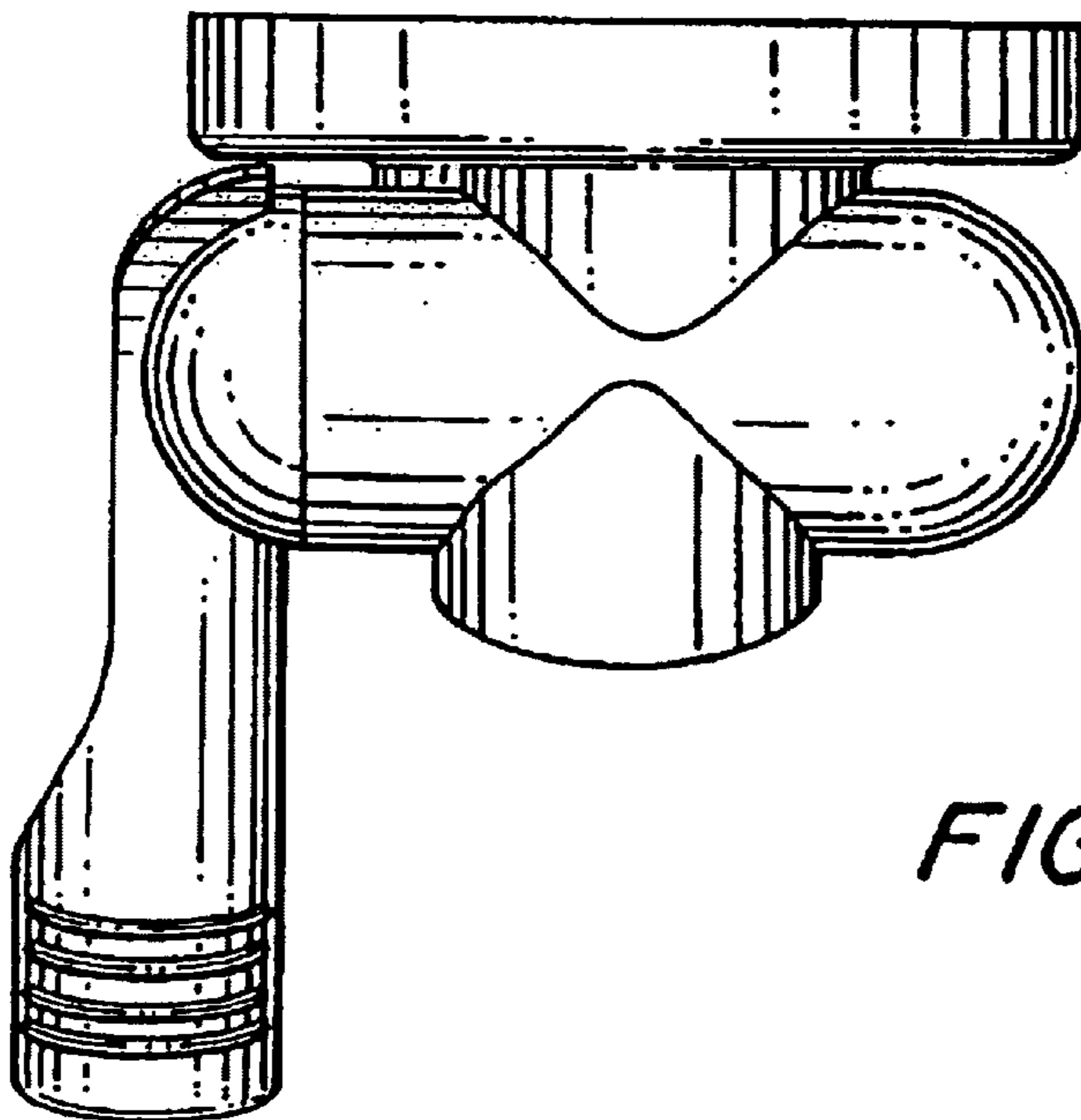
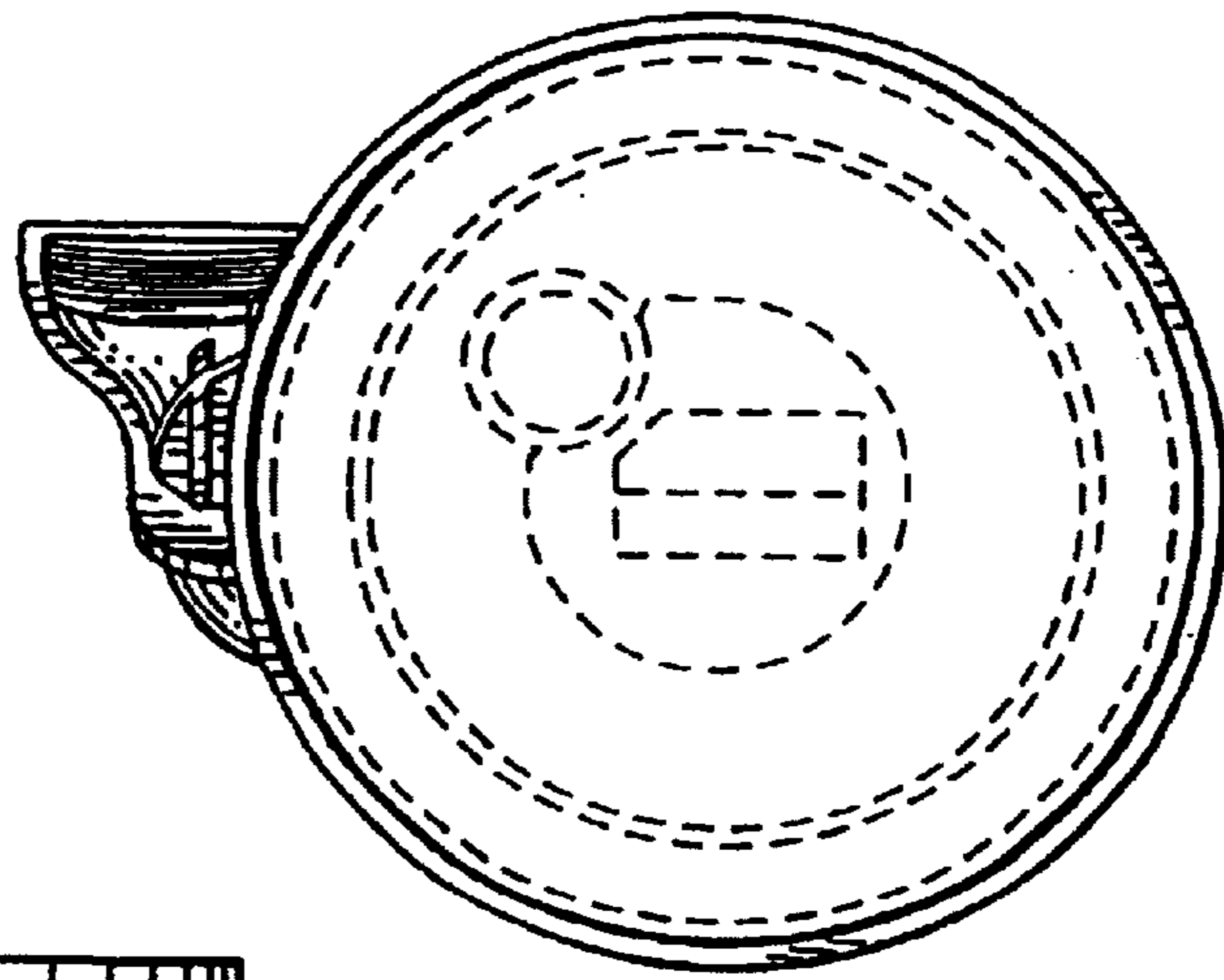


FIG. 3





*FIG. 6*



*FIG. 7*

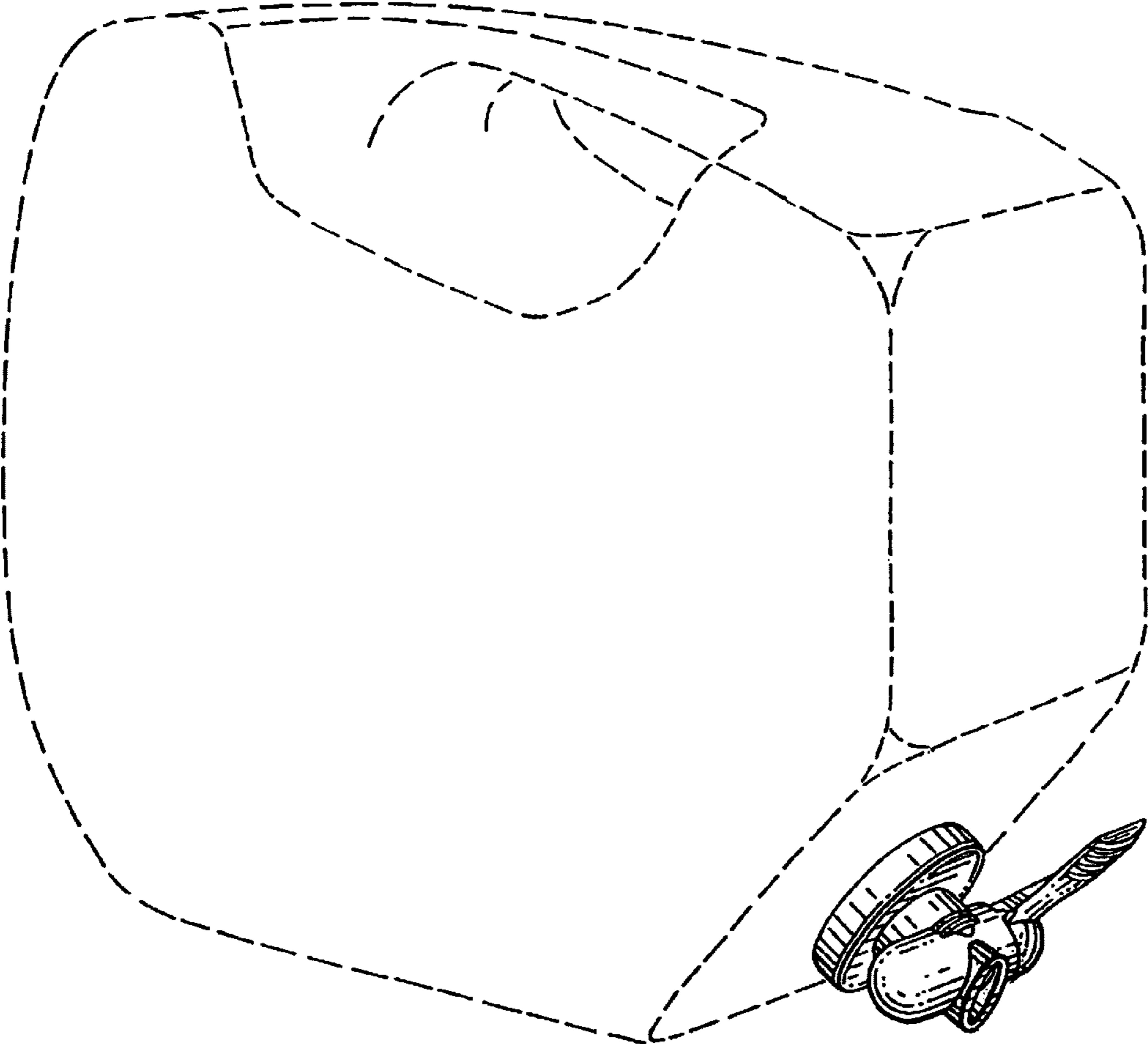


FIG. 8

