



US00D526560S

(12) **United States Design Patent**
Poitrey

(10) **Patent No.:** **US D526,560 S**

(45) **Date of Patent:** **** Aug. 15, 2006**

(54) **ALLIGATOR CLIP**

(75) Inventor: **Jean-Pierre Poitrey**, La Loye (FR)

(73) Assignee: **Electro PJP (Societe par Actions Simplifree)**, Dole (FR)

(**) Term: **14 Years**

(21) Appl. No.: **29/236,739**

(22) Filed: **Aug. 20, 2005**

(30) **Foreign Application Priority Data**

Feb. 28, 2005 (FR) 05 1202

(51) **LOC (8) Cl.** **08-08**

(52) **U.S. Cl.** **D8/395**

(58) **Field of Classification Search** D8/356,
D8/371, 394-396, 499, 53, 100, 365; D12/51;
D19/65, 90; D28/39, 40, 42; 24/546, 563,
24/327, 334, DIG. 8, DIG. 9, DIG. 13, DIG. 28;
248/74.2, 300, 301, 316.7, 229.26

See application file for complete search history.

(56) **References Cited**

U.S. PATENT DOCUMENTS

1,324,730 A * 12/1919 Cohen et al. 2/65

D142,161 S * 8/1945 Braund D21/592

D214,527 S * 6/1969 Mazelka D8/395

D224,902 S * 10/1972 Rickard D8/71

4,020,530 A * 5/1977 Sartore 24/511

D328,242 S * 7/1992 Chan D8/388

D357,550 S * 4/1995 Smith D28/42

D408,097 S * 4/1999 Heydt D27/183

* cited by examiner

Primary Examiner—Louis S. Zarfes

Assistant Examiner—John Windmuller

(74) *Attorney, Agent, or Firm*—Egbert Law Offices

(57) **CLAIM**

I claim the ornamental design for an alligator clip, as shown and described.

DESCRIPTION

FIG. 1 is a top perspective view of an alligator clip showing my new design;

FIG. 2 is a left side elevational view thereof;

FIG. 3 is a right side elevational view thereof;

FIG. 4 is a rear elevational view thereof;

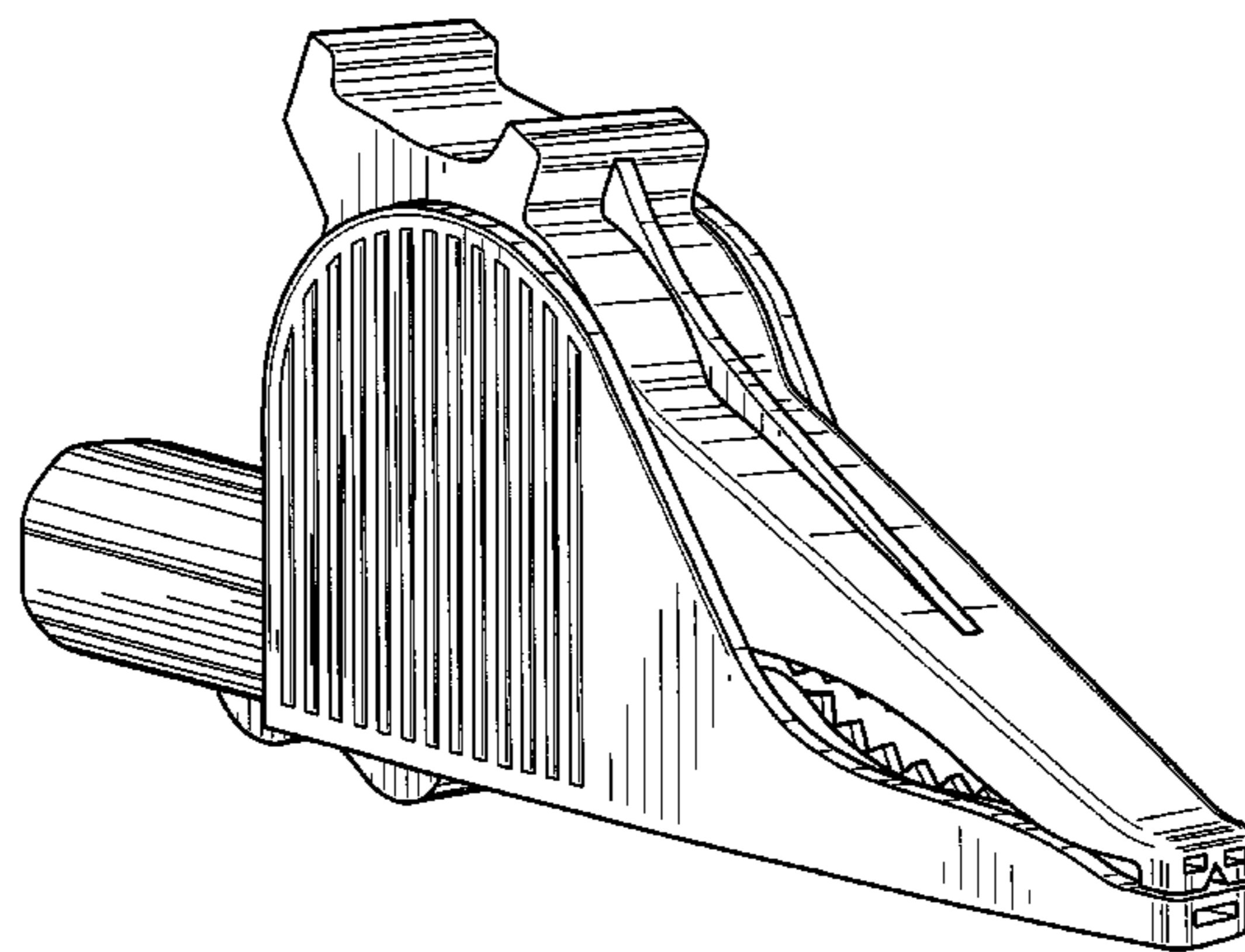
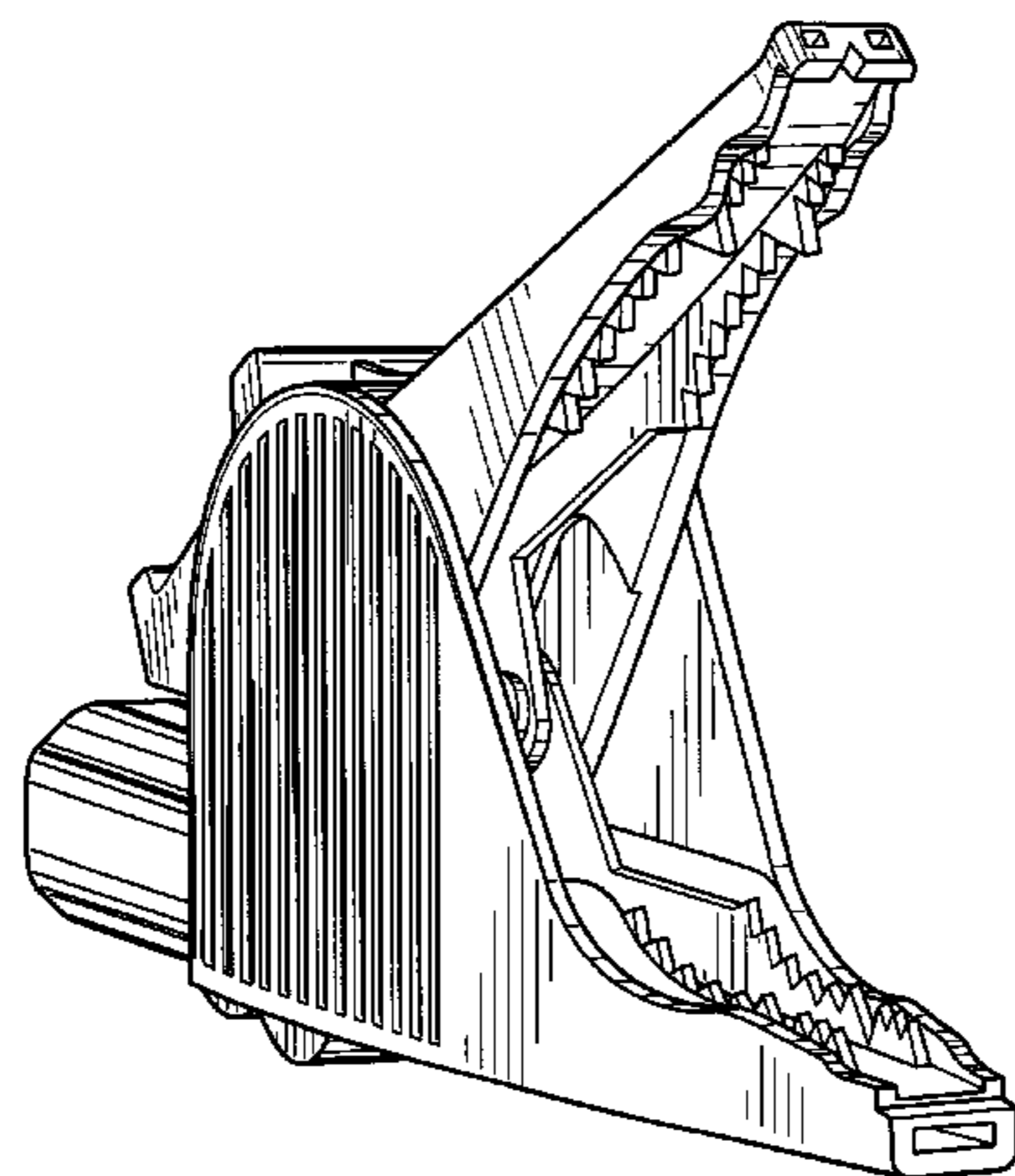
FIG. 5 is a front elevational view thereof;

FIG. 6 is a top plan view thereof;

FIG. 7 is a bottom plan view thereof; and,

FIG. 8 is a top perspective view thereof in a closed position.

1 Claim, 4 Drawing Sheets



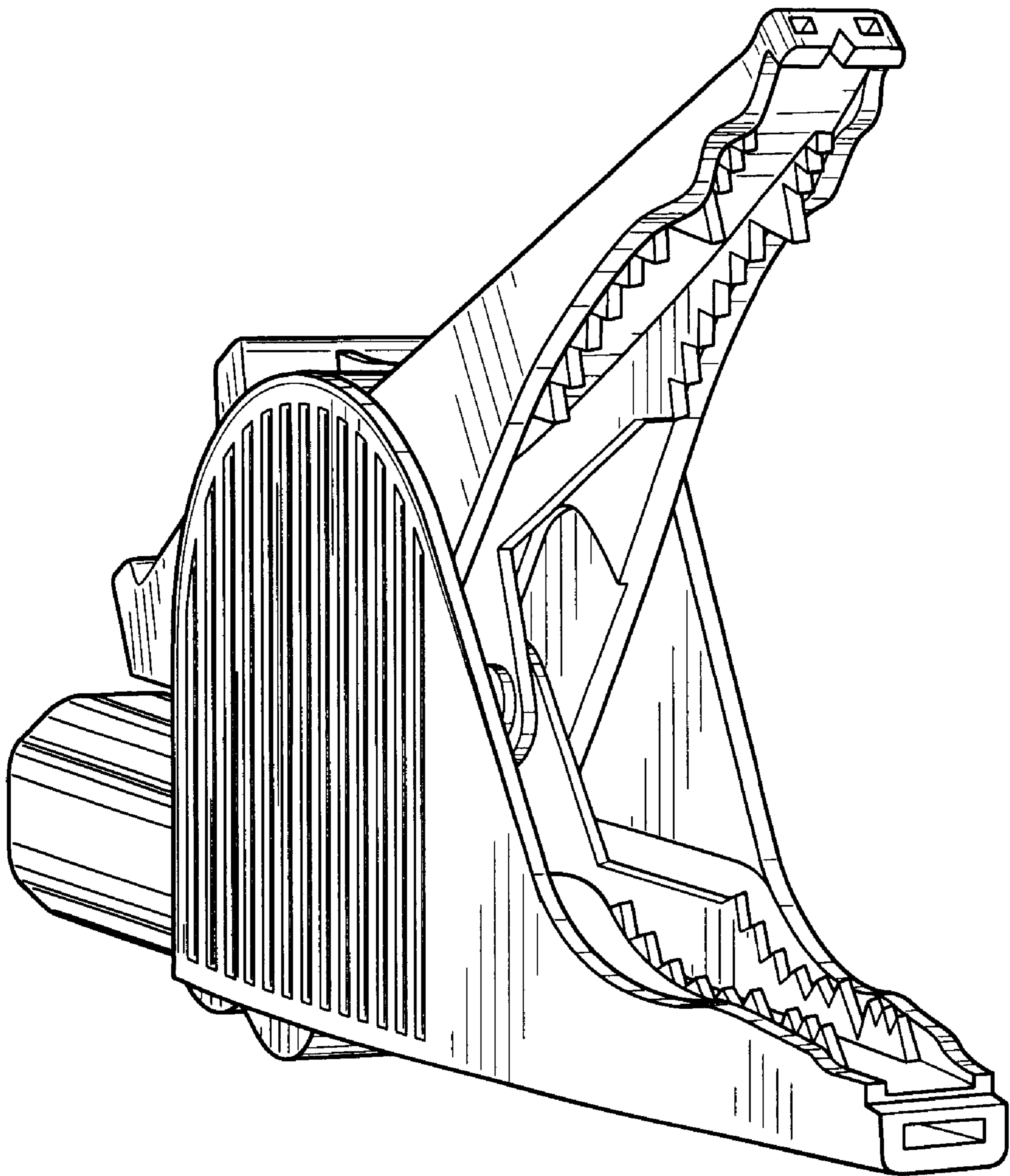


FIG. 1

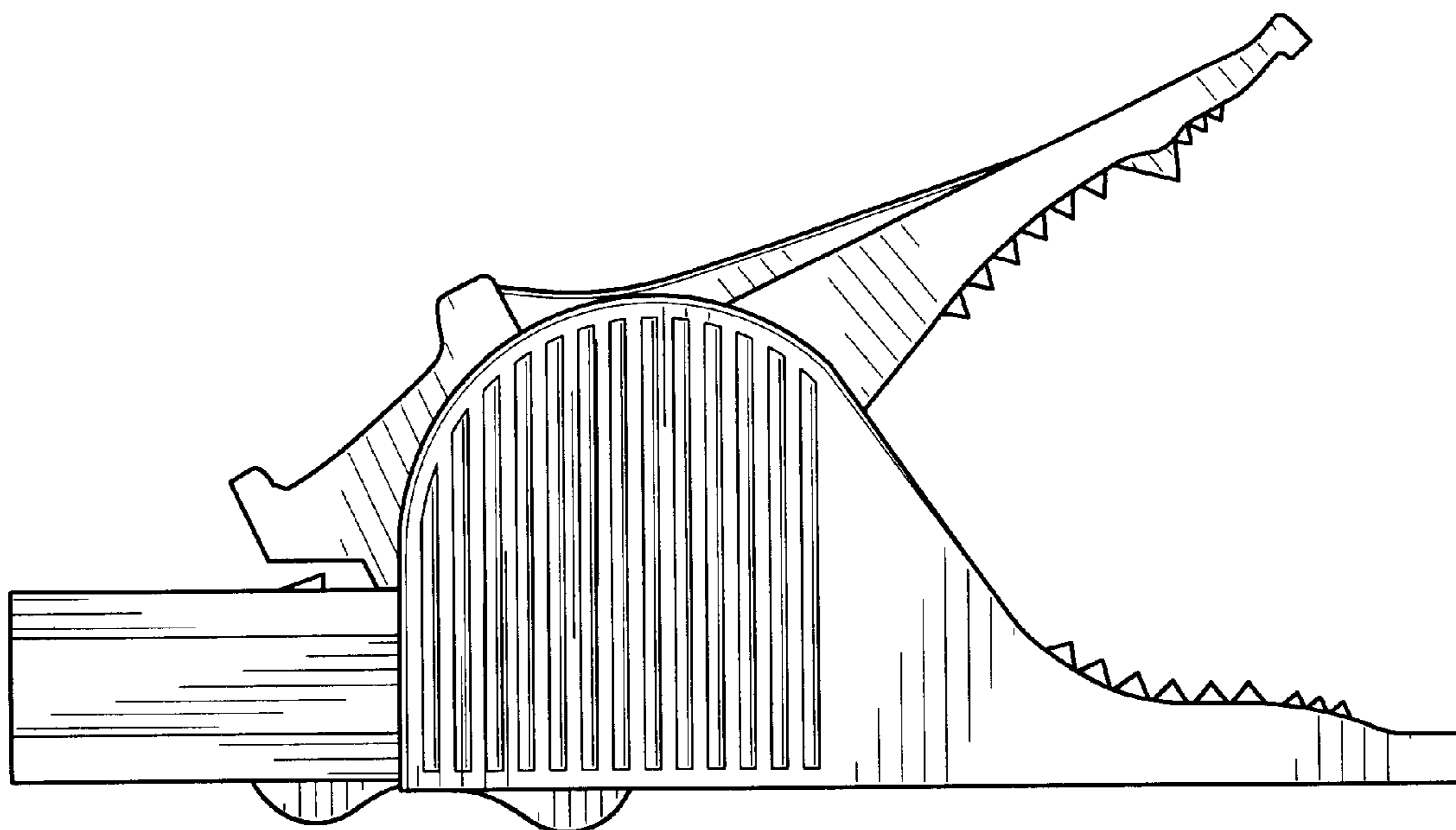


FIG. 2

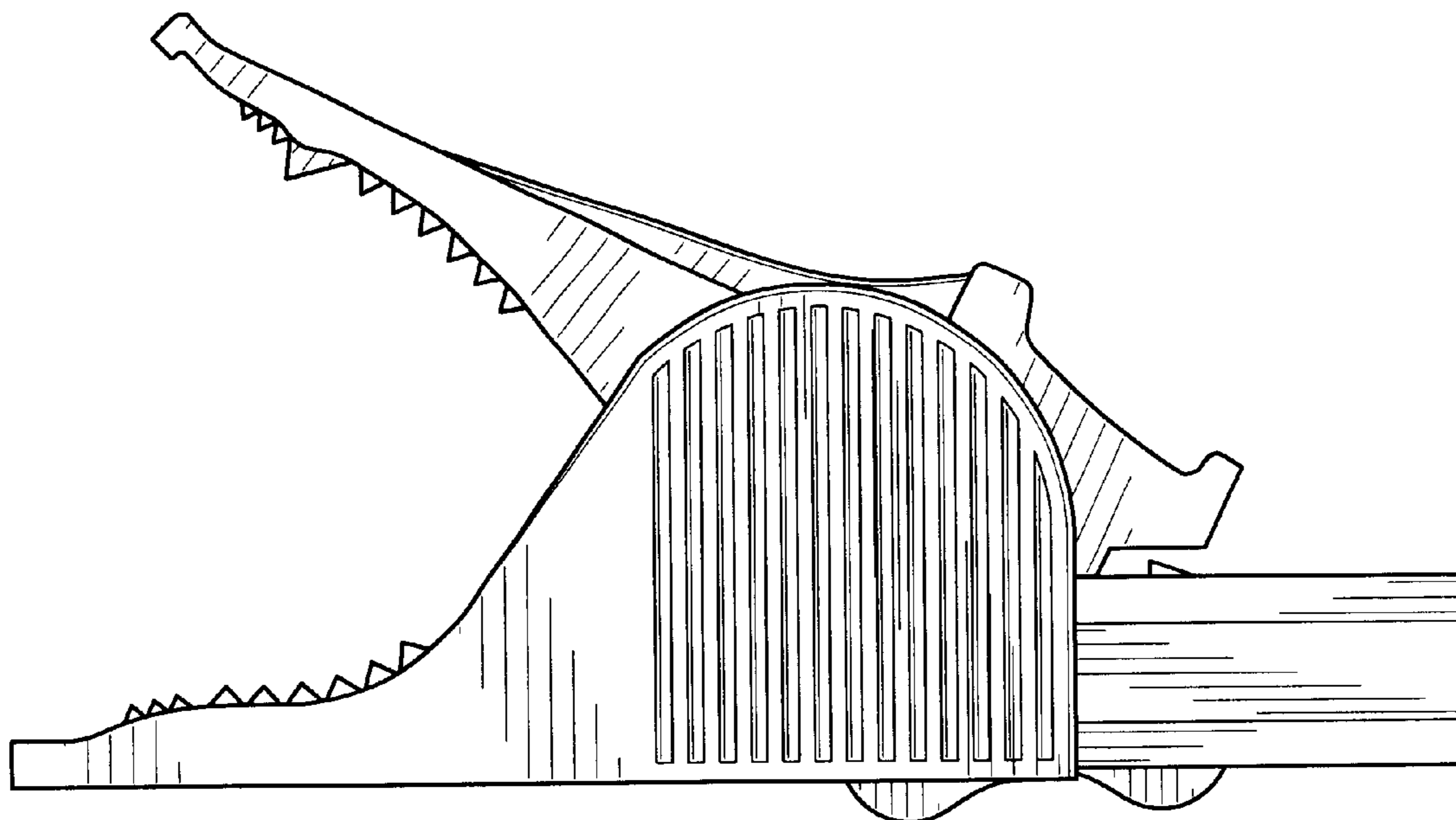


FIG. 3

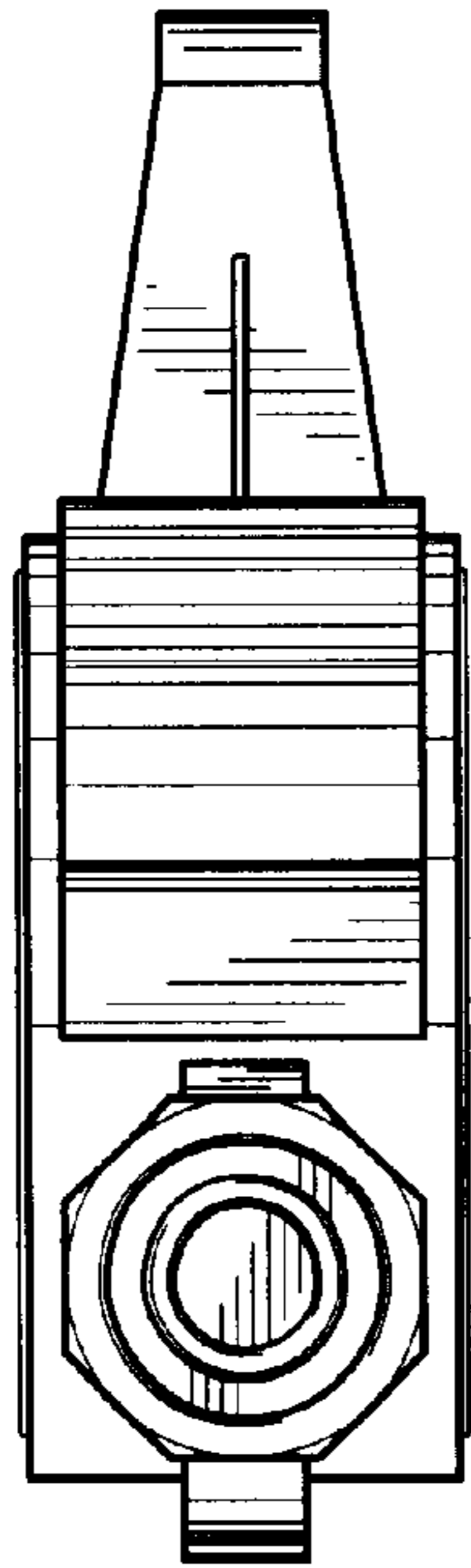


FIG. 4

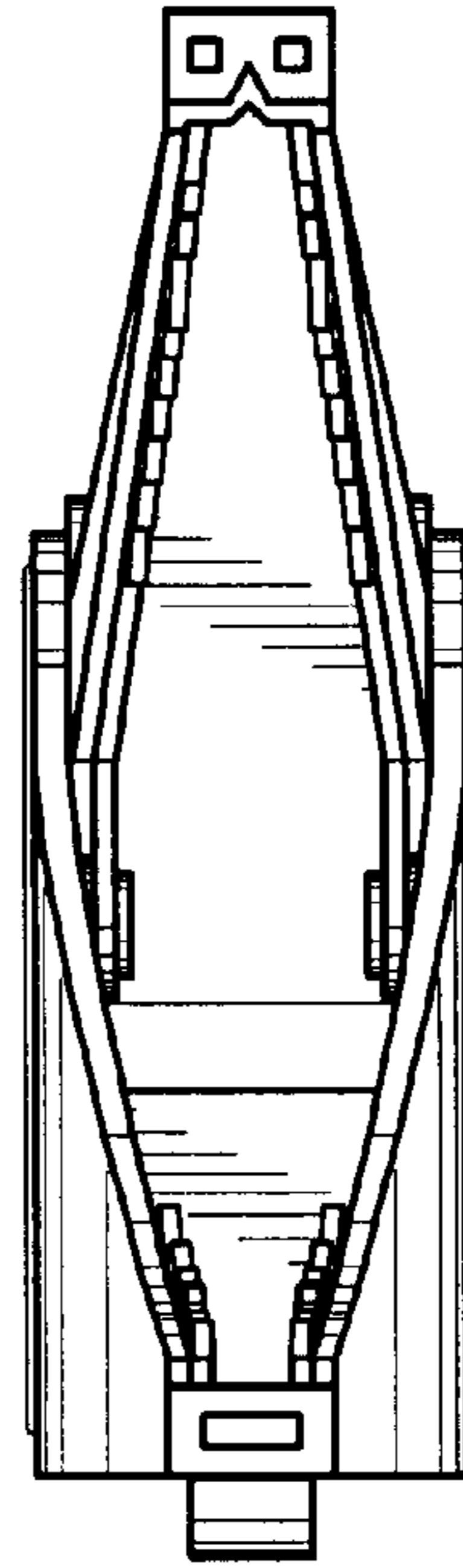


FIG. 5

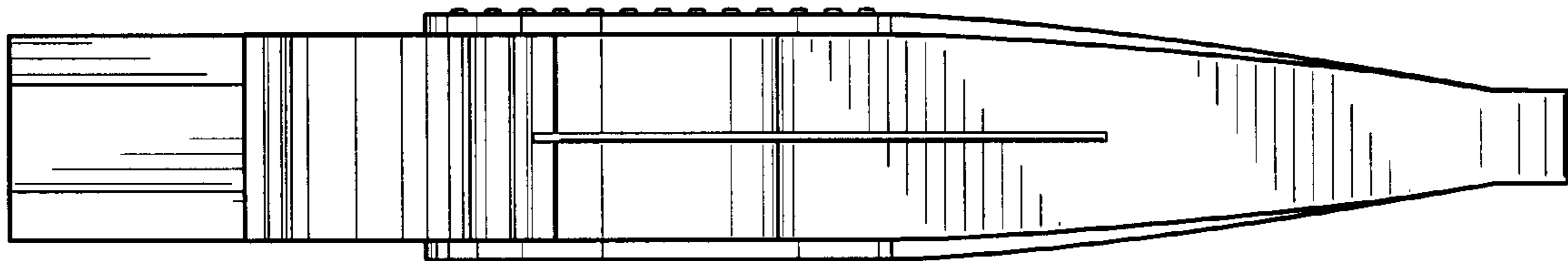


FIG. 6

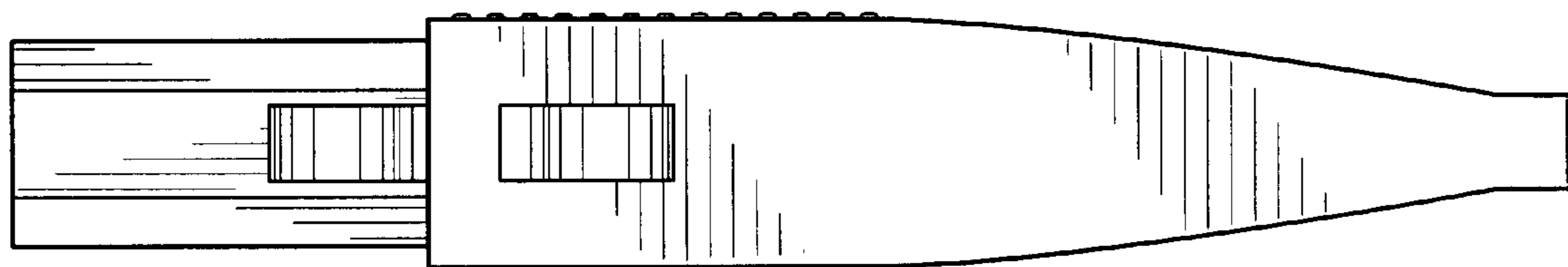


FIG. 7

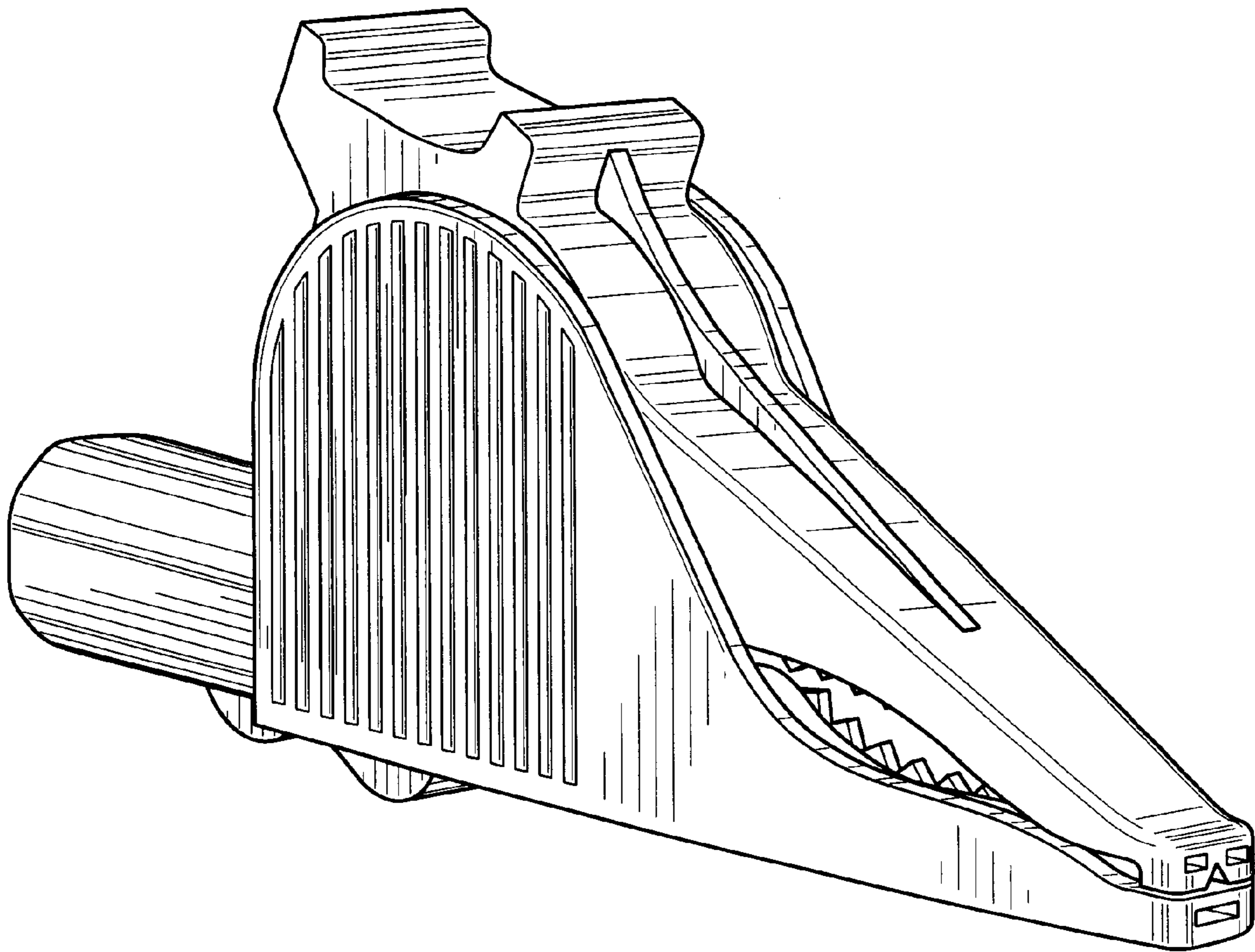


FIG. 8