



US00D526558S

(12) **United States Design Patent**
Banta

(10) **Patent No.:** **US D526,558 S**

(45) **Date of Patent:** **** Aug. 15, 2006**

(54) **CONNECTOR BRACKET**

(76) **Inventor:** **Bradford C. Banta**, 655 S. Raymond Ave., Pasadena, CA (US) 91105

(**) **Term:** **14 Years**

(21) **Appl. No.:** **29/197,952**

(22) **Filed:** **Jan. 21, 2004**

(51) **LOC (8) Cl.** **08-05**

(52) **U.S. Cl.** **D8/354**

(58) **Field of Classification Search** D8/354,
D8/349, 363, 19, 377, 376; D21/804; 248/300,
248/205.5, 200, 262, 260, 309.1, 251; 211/175,
211/65, 66, 69, 60.1, 59.1

See application file for complete search history.

(56) **References Cited**

U.S. PATENT DOCUMENTS

D358,795 S	*	5/1995	Viola	D8/354
D387,970 S	*	12/1997	Enslin	D8/349
D398,219 S	*	9/1998	Campman	D8/363
D408,722 S	*	4/1999	Sartini	D8/363

D467,792 S	*	12/2002	Zadak et al.	D8/354
D468,999 S	*	1/2003	Zadak	D8/354
D486,707 S	*	2/2004	Altman	D8/19
D492,187 S	*	6/2004	Mottini	D8/354
D492,189 S	*	6/2004	Weremchuk et al.	D8/354
D500,545 S	*	1/2005	Griffiths	D21/804

* cited by examiner

Primary Examiner—Holly H. Baynham

(74) *Attorney, Agent, or Firm*—James E. Brunton, Esq.

(57) **CLAIM**

The ornamental design for a “connector bracket,” as shown.

DESCRIPTION

FIG. 1 is a perspective view of a connector bracket showing my new design;

FIG. 2 is a front view thereof;

FIG. 3 is a rear view thereof;

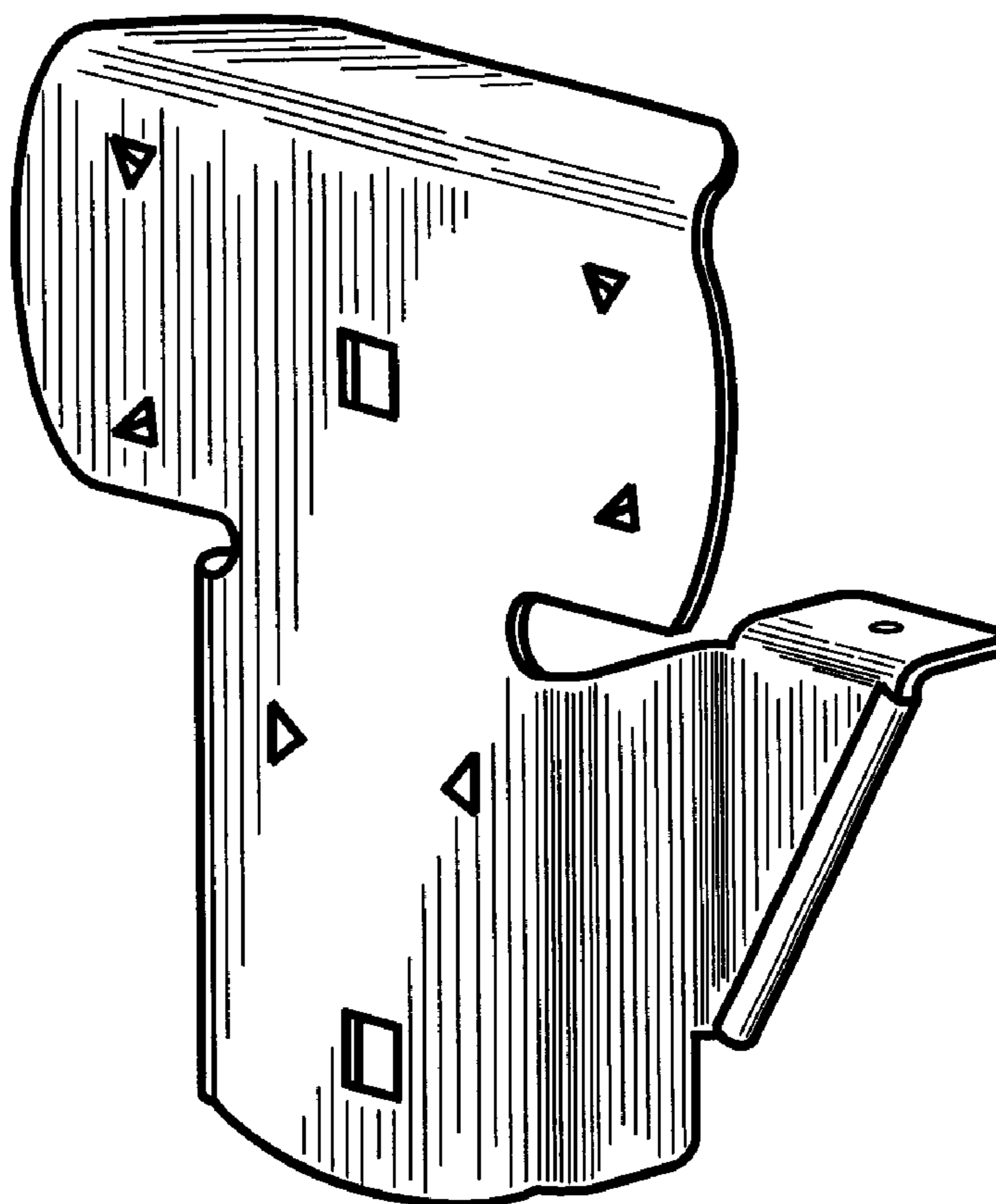
FIG. 4 is a right side view thereof;

FIG. 5 is a left side view thereof;

FIG. 6 is a top plan view thereof; and,

FIG. 7 is a bottom plan view thereof.

1 Claim, 3 Drawing Sheets



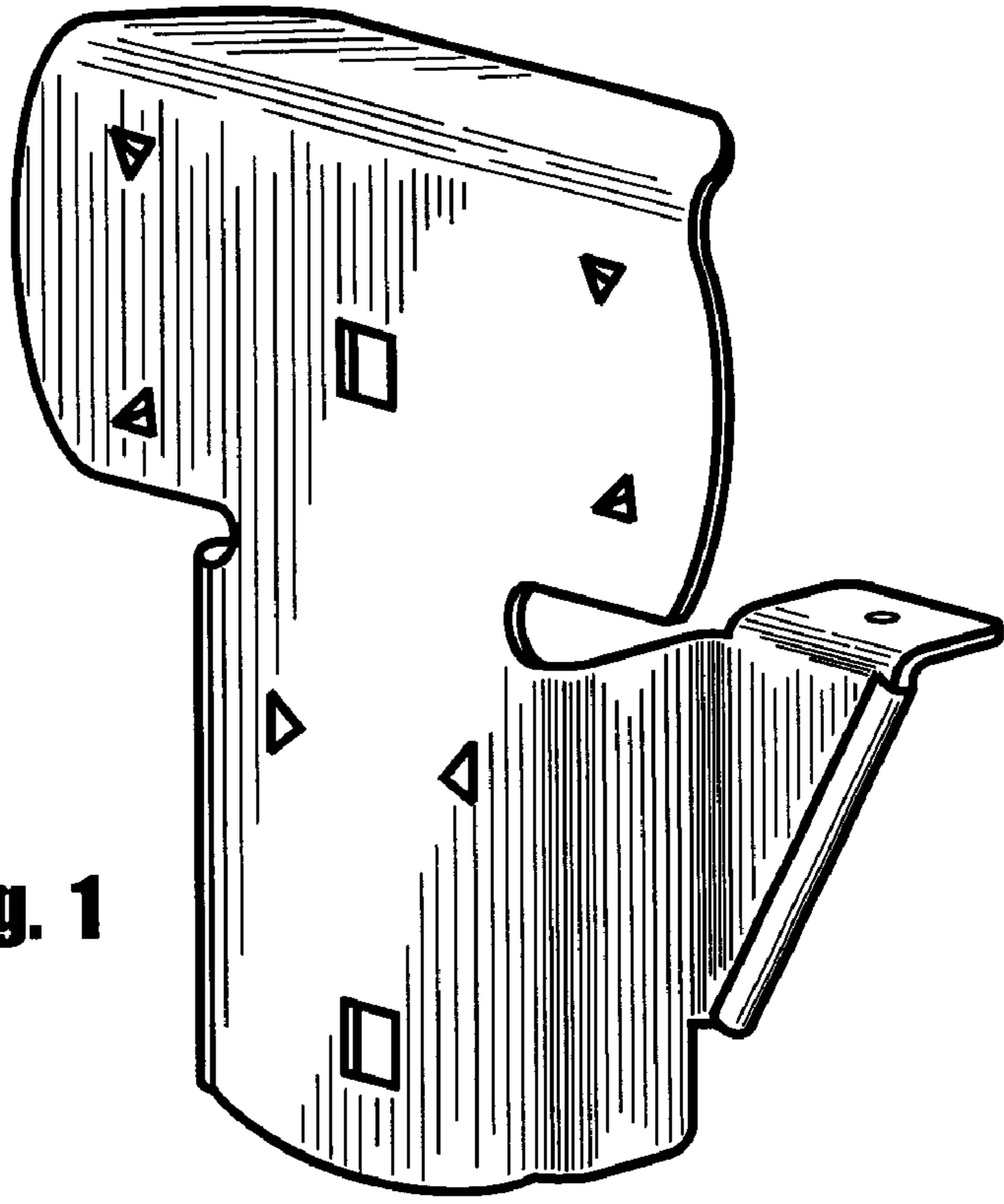


Fig. 1

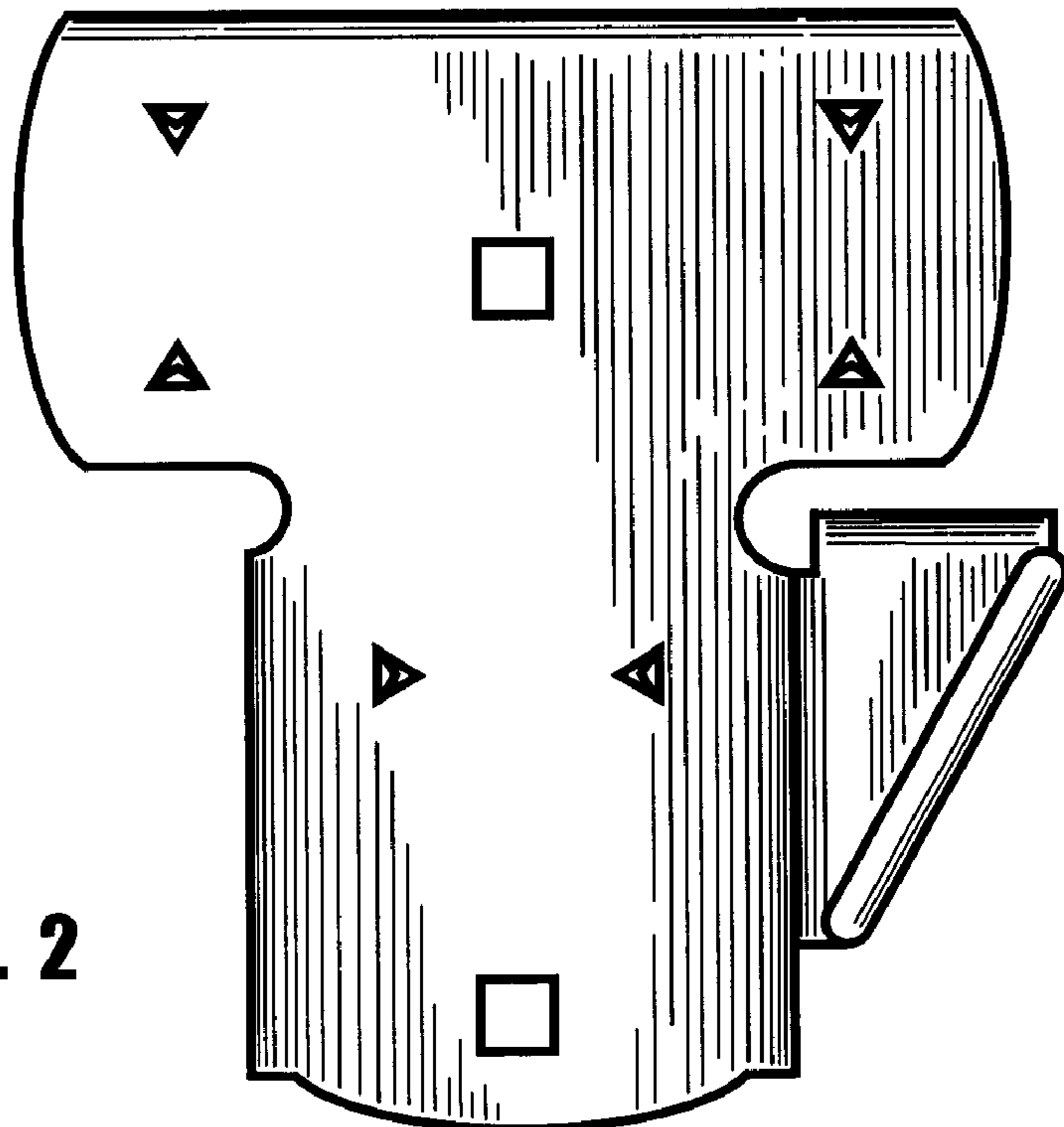


Fig. 2

Fig. 4

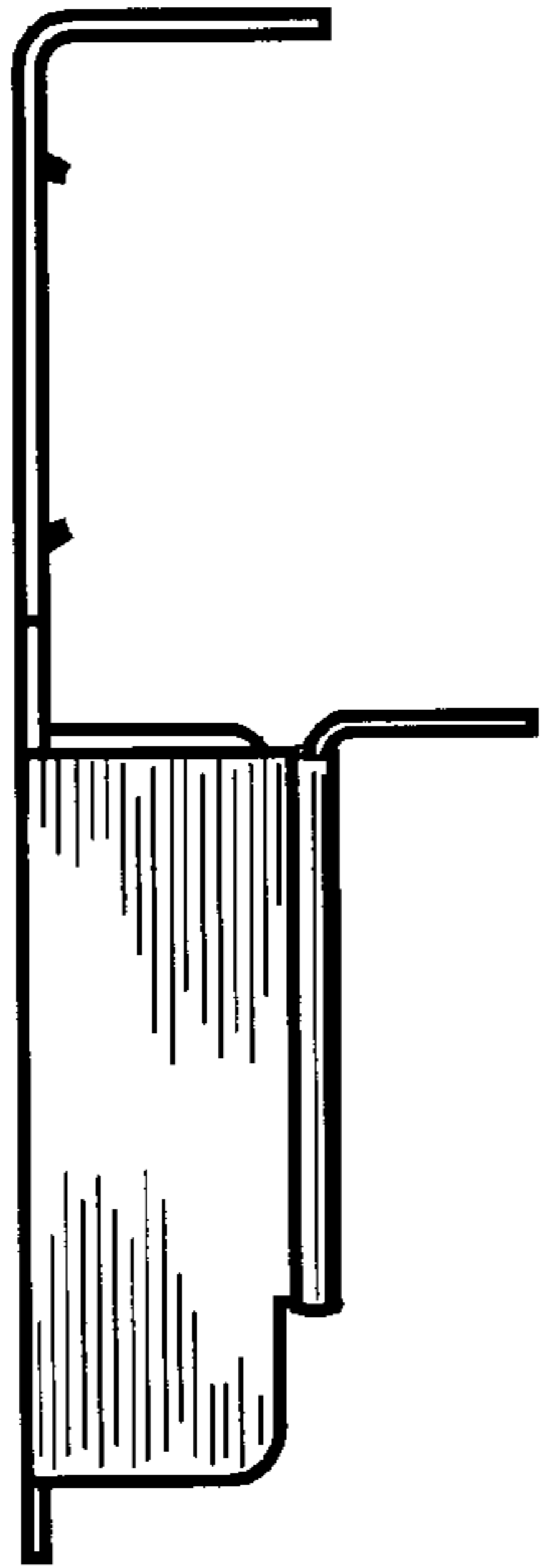


Fig. 5

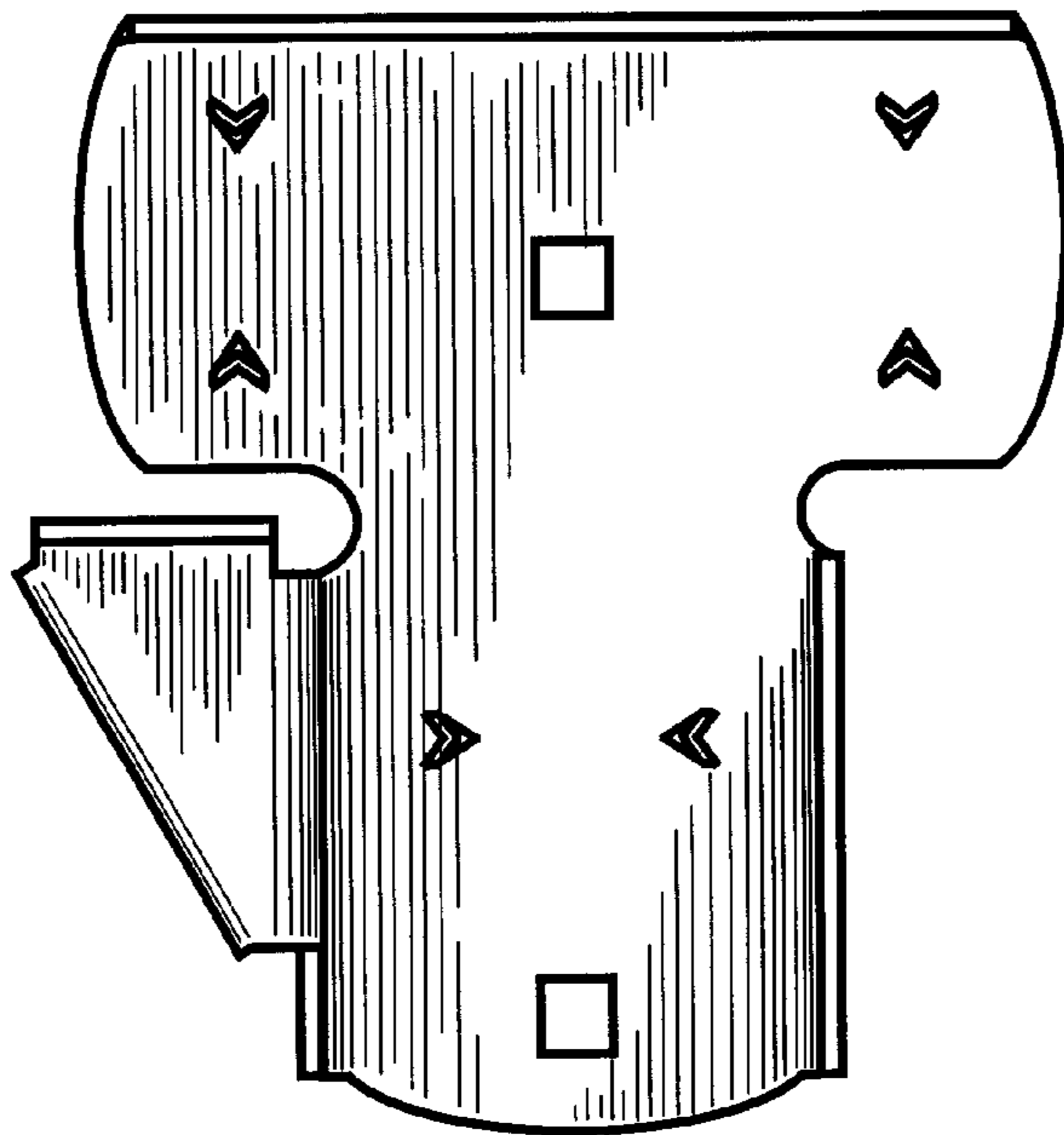
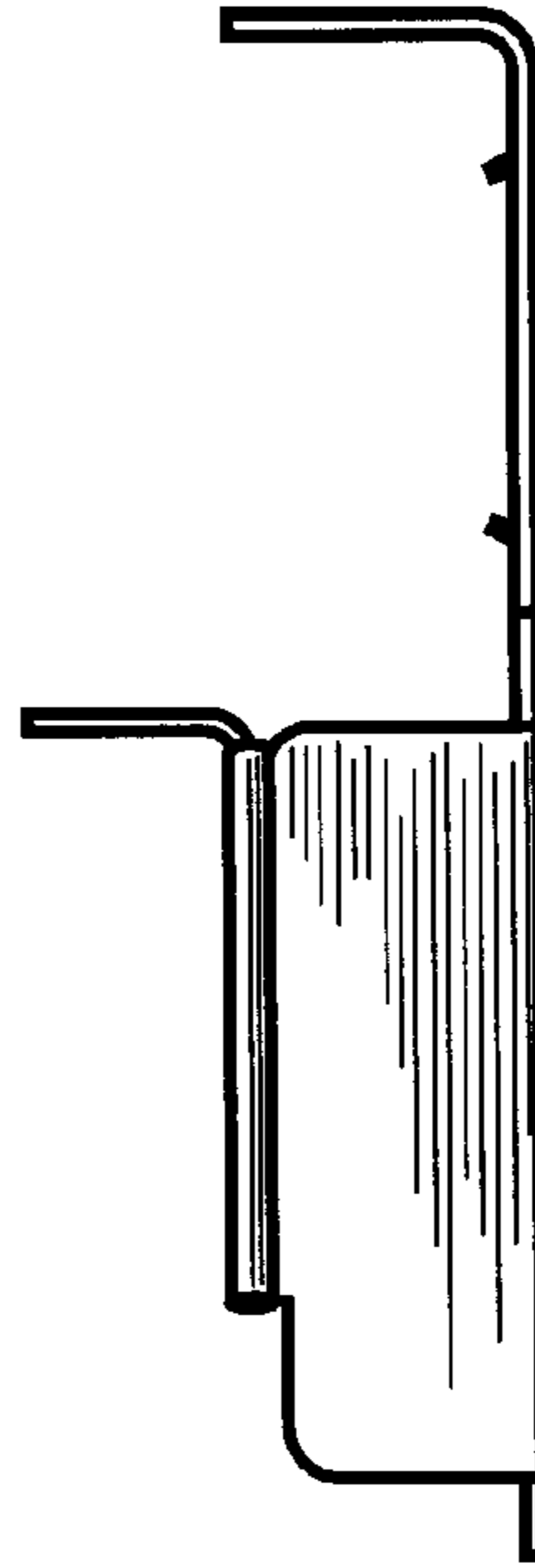


Fig. 3

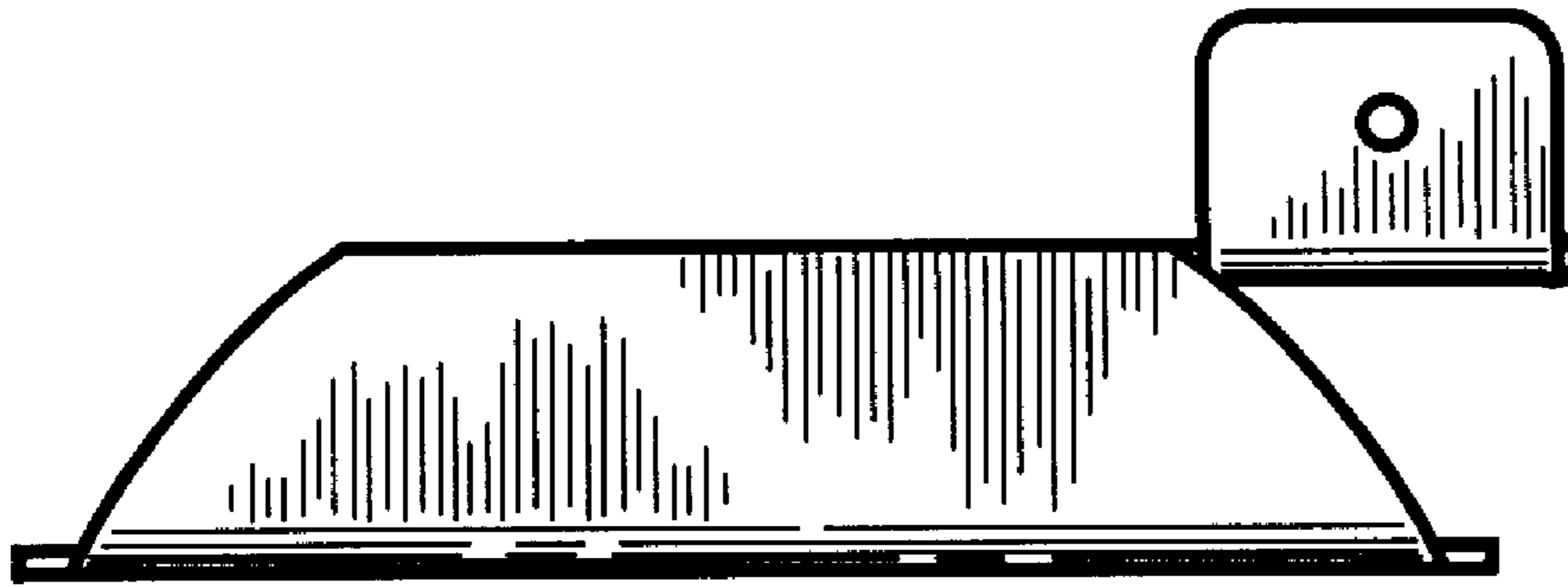


Fig. 6



Fig. 7