



US00D526557S

(12) **United States Design Patent**
Falconer et al.

(10) **Patent No.:** **US D526,557 S**

(45) **Date of Patent:** **** Aug. 15, 2006**

(54) **TRAILER DOOR LOCK COVER**

(75) Inventors: **Robert P. Falconer**, Fort Worth, TX
(US); **Jewel B. Smith**, Fort Worth, TX
(US)

(73) Assignee: **Blaylock Industries, Inc.**, Fort Worth,
TX (US)

(**) Term: **14 Years**

(21) Appl. No.: **29/230,383**

(22) Filed: **May 20, 2005**

(51) **LOC (8) Cl.** **08-07**

(52) **U.S. Cl.** **D8/346**

(58) **Field of Classification Search** D8/330,
D8/331, 343, 346, 334; 70/14, 20, 51, 54,
70/55, DIG. 56, 57.1

See application file for complete search history.

(56) **References Cited**

U.S. PATENT DOCUMENTS

4,905,486	A	*	3/1990	Appelbaum	70/54
D325,374	S	*	4/1992	Ashby	D13/154
D338,392	S	*	8/1993	McKernan	D8/343
5,263,344	A	*	11/1993	Madison	70/14
D349,034	S	*	7/1994	Webster	D8/333
5,555,752	A	*	9/1996	Fitzpatrick	70/159

D390,444	S	*	2/1998	Wintrone	D8/337
D436,016	S	*	1/2001	Gould	D8/346
6,439,008	B1	*	8/2002	Keil	70/56
6,578,393	B1	*	6/2003	Yarborough	70/56

* cited by examiner

Primary Examiner—Prabhakar Deshmukh

(74) *Attorney, Agent, or Firm*—Bracewell & Giuliani LLP

(57) **CLAIM**

The ornamental design for a trailer door lock cover, as shown and described.

DESCRIPTION

FIG. 1 is a perspective view of a trailer door lock cover embodying our new design.

FIG. 2 is a top plan view thereof.

FIG. 3 is a side view thereof, as seen from the leftside of FIG. 1.

FIG. 4 is a bottom view thereof.

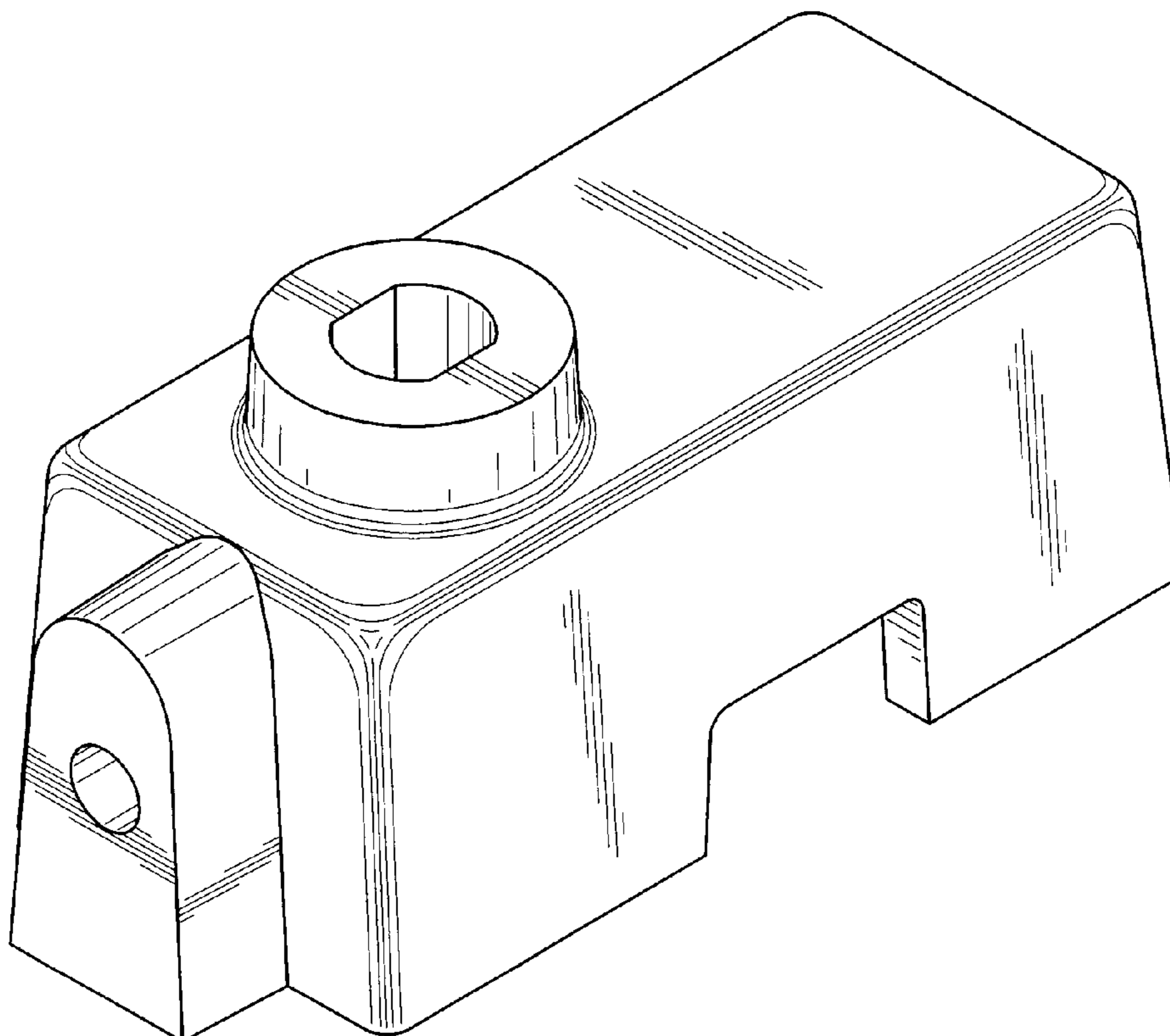
FIG. 5 is a side view as seen from the right side thereof, as seen from the right side of FIG. 1.

FIG. 6 is an end view thereof.

FIG. 7 is an end view thereof from the end opposite that shown in FIG. 6; and,

FIG. 8 is a perspective view of the bottom thereof, with portions broken away to illustrate the interior.

1 Claim, 4 Drawing Sheets



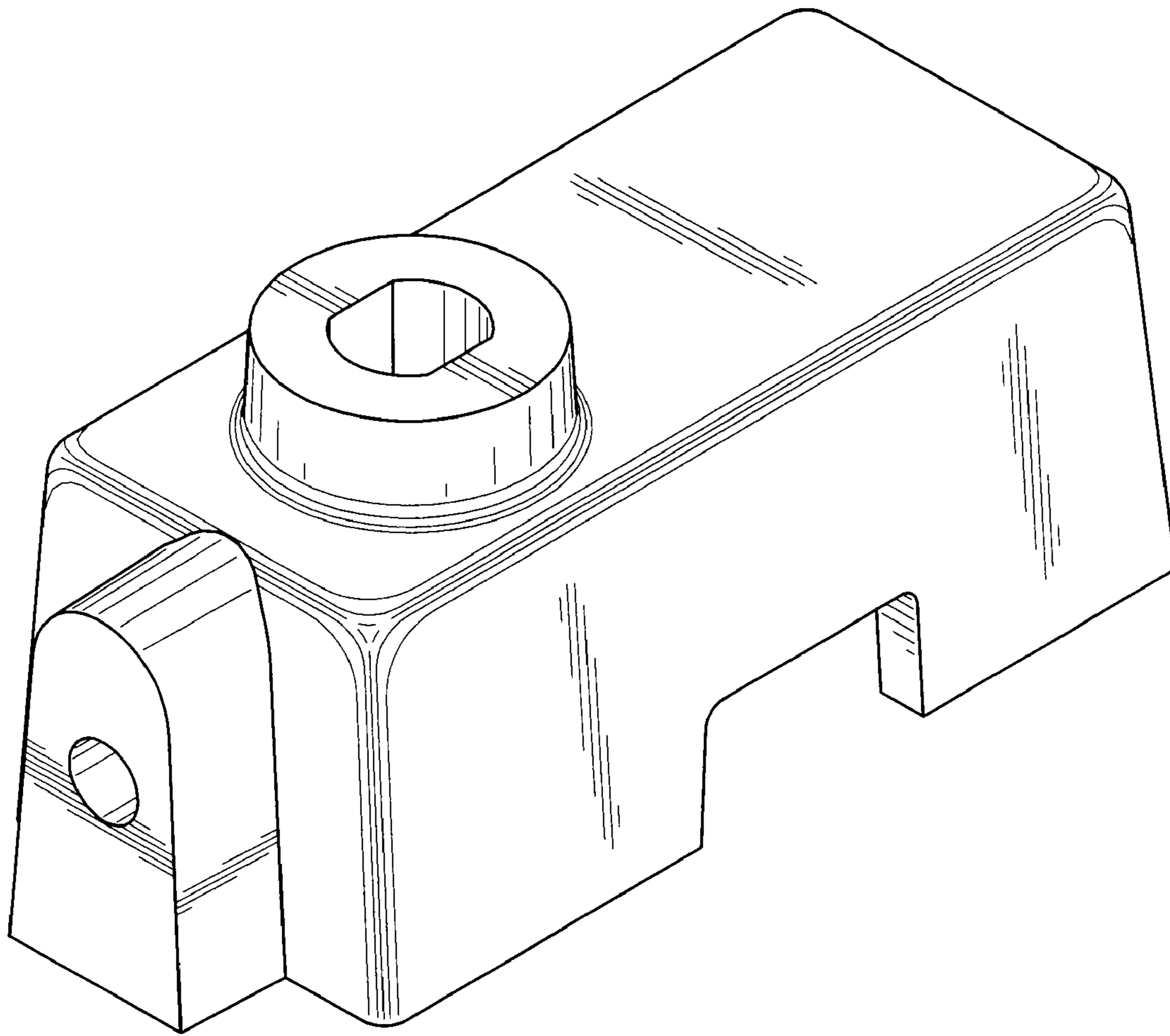


Fig. 1

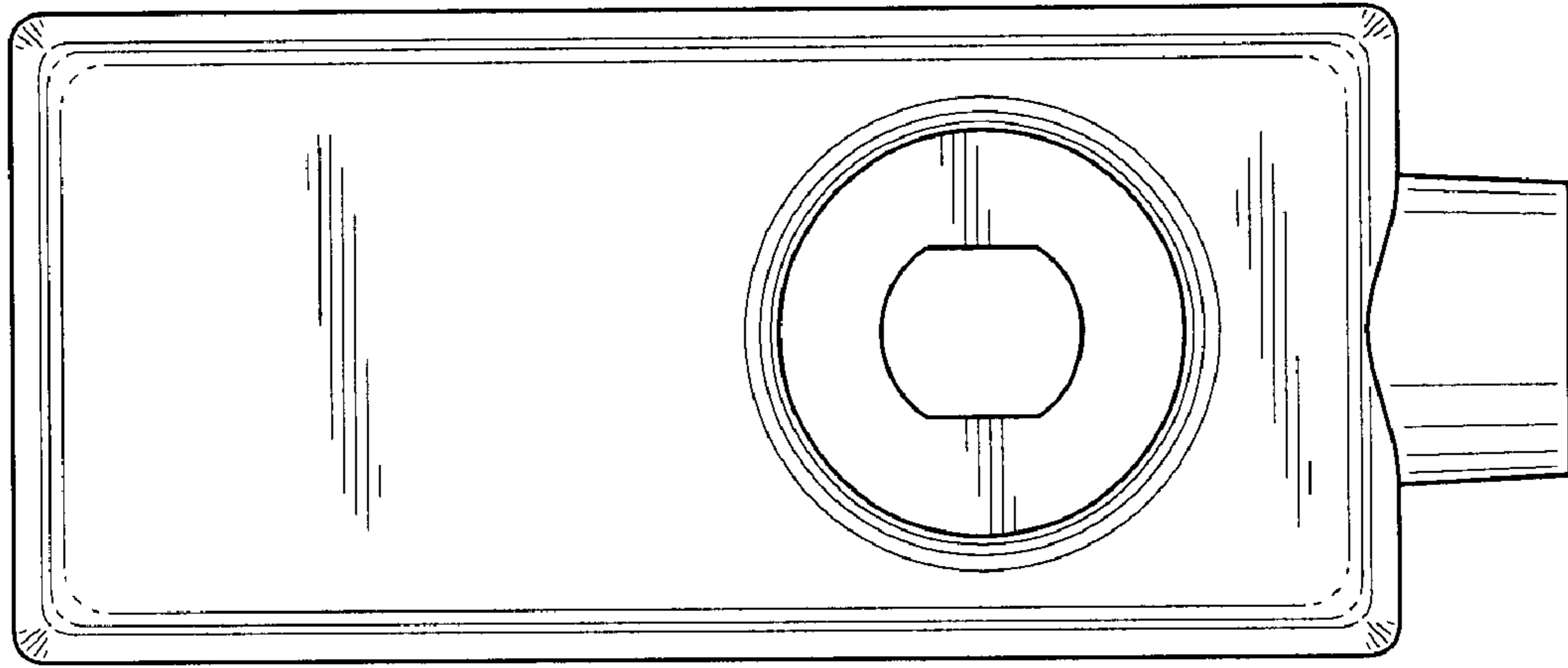


Fig. 2

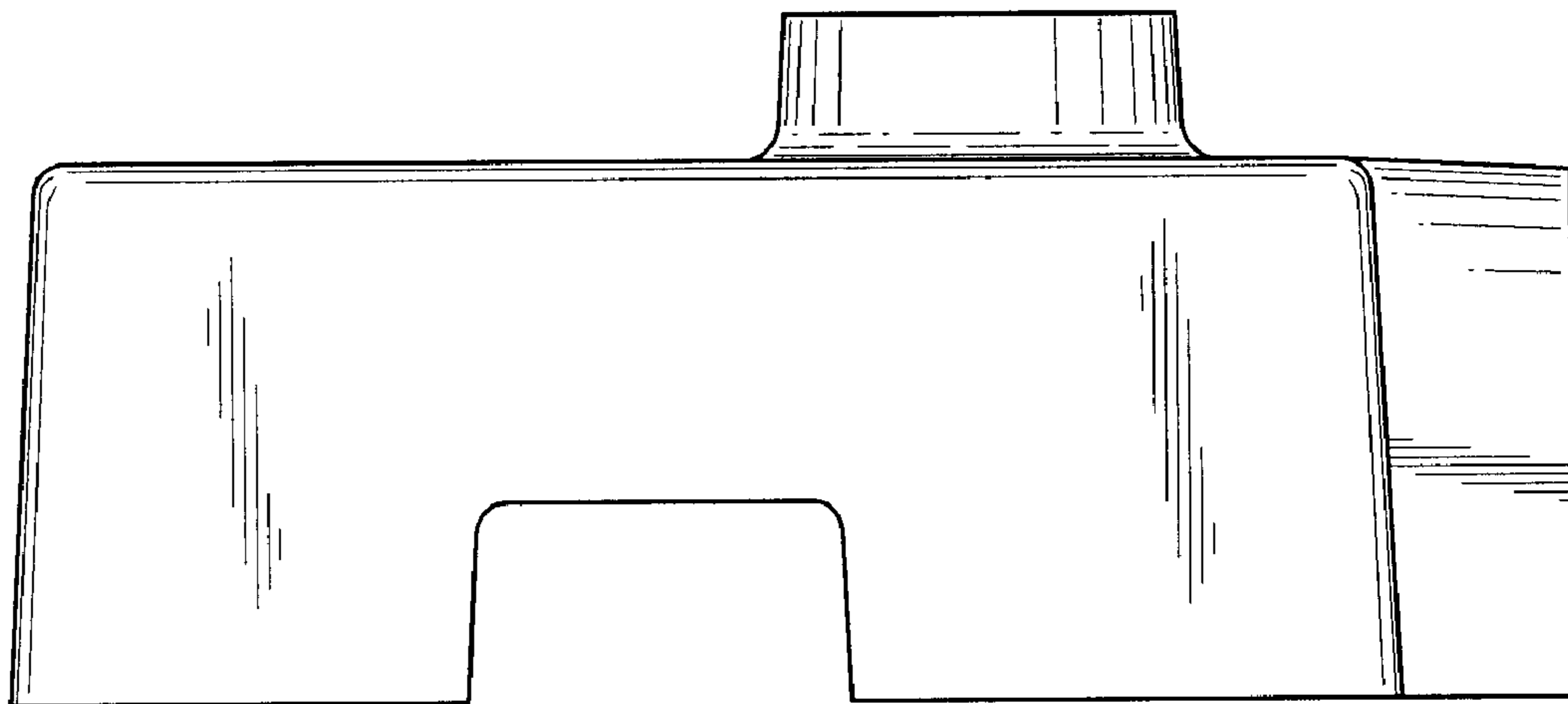


Fig. 3

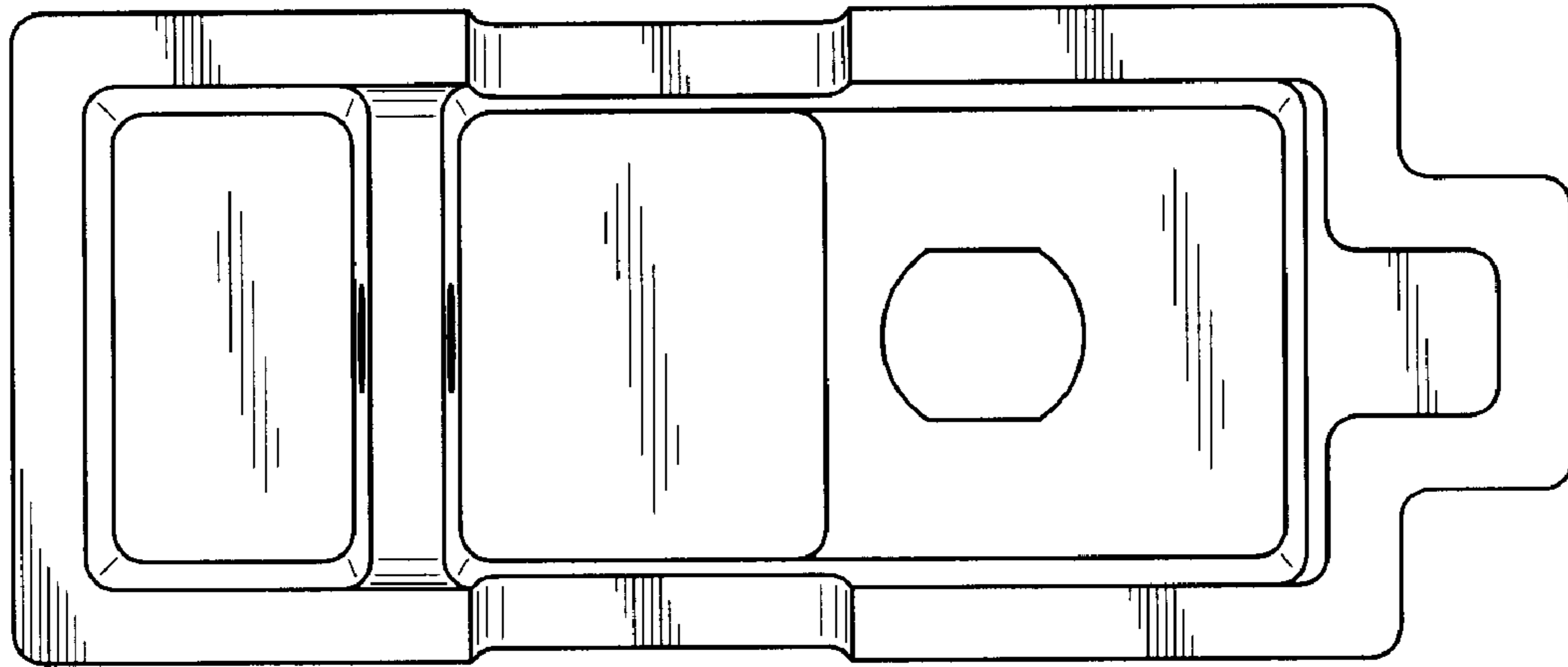


Fig. 4

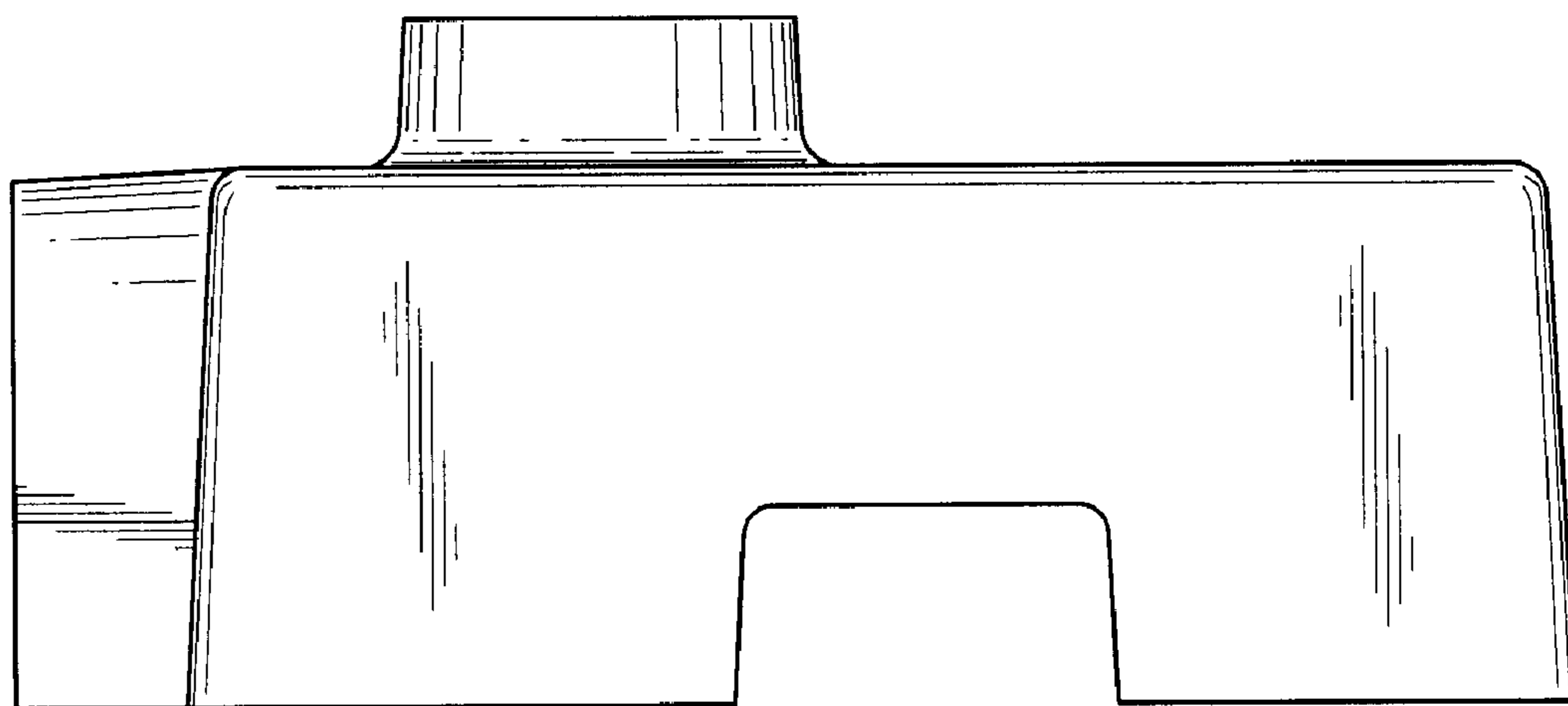


Fig. 5

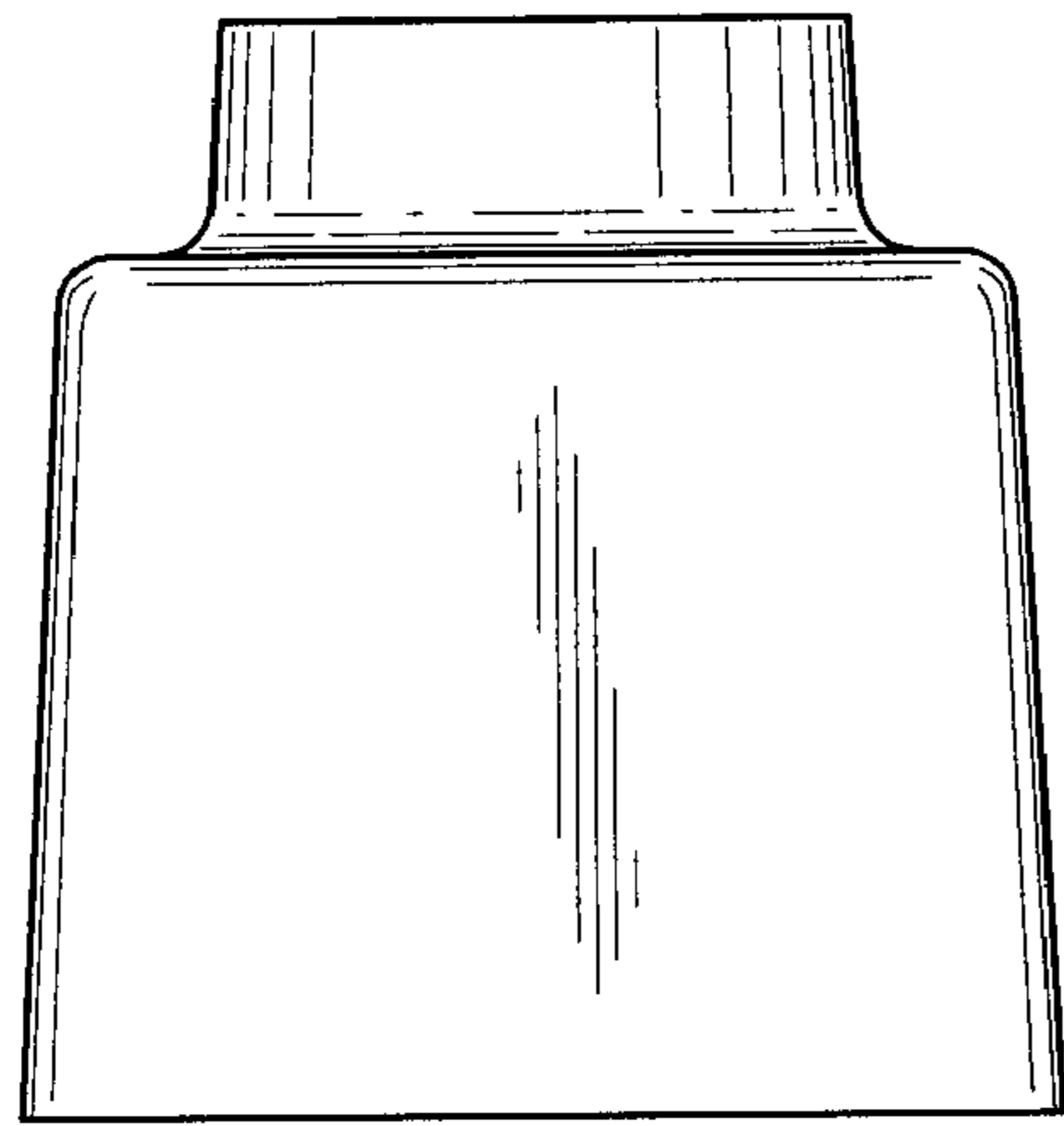


Fig. 6

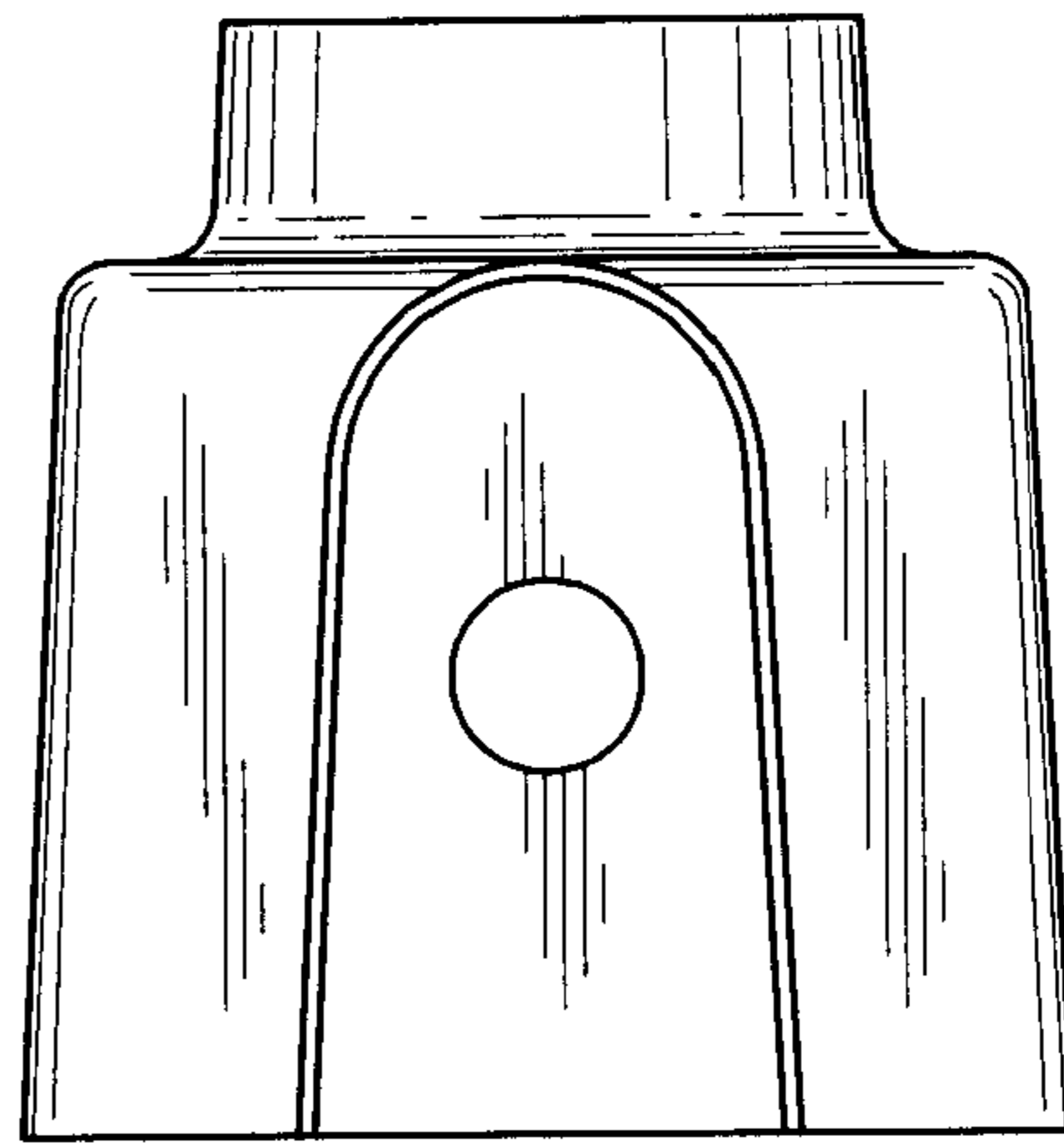


Fig. 7

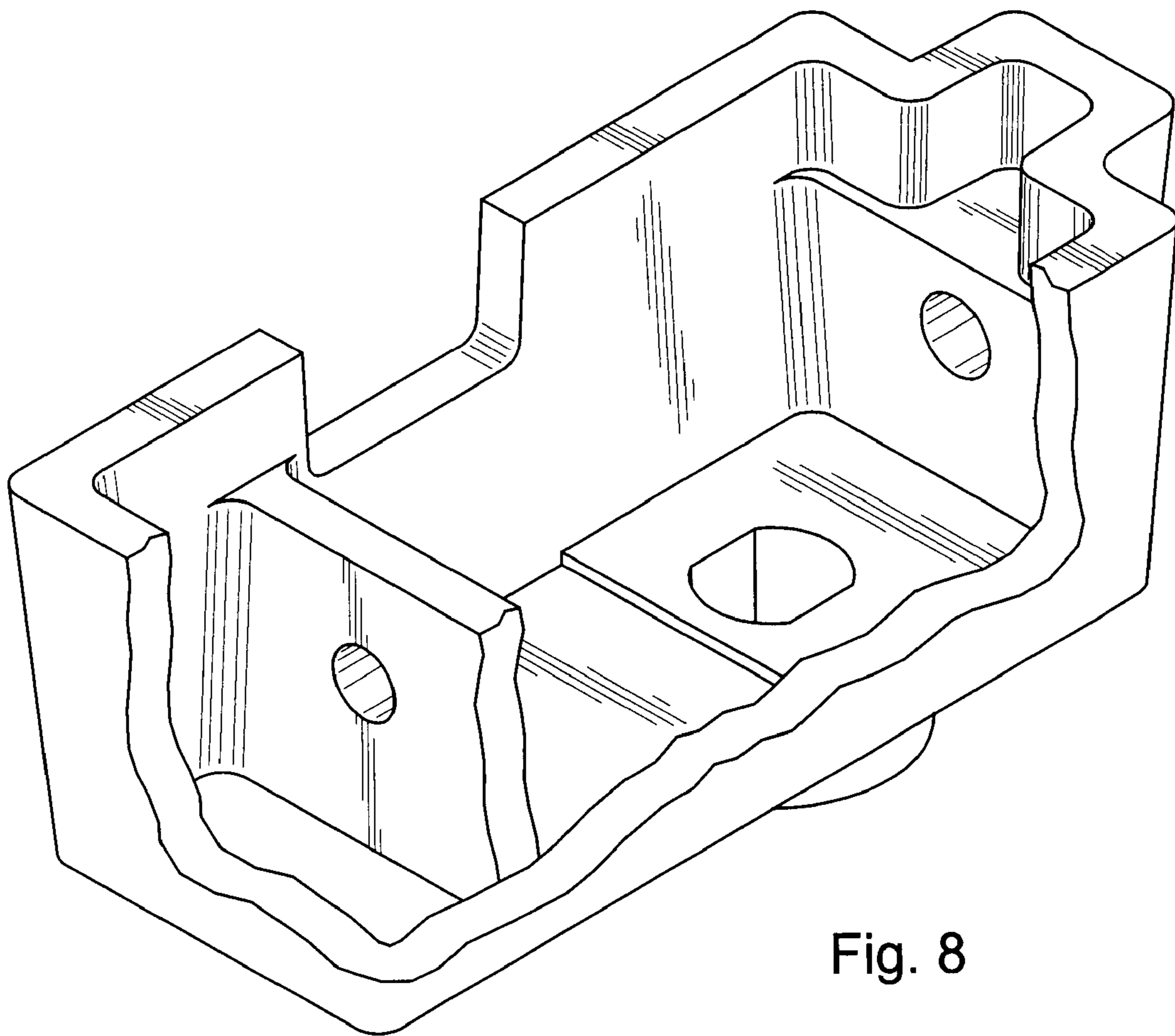


Fig. 8