



US00D526556S

(12) **United States Design Patent**
Metivier et al.

(10) **Patent No.:** **US D526,556 S**

(45) **Date of Patent:** **** Aug. 15, 2006**

(54) **HANDLE**

(75) Inventors: **Pascal Georges Metivier**, Atlanta, GA (US); **Arnon Alexander**, Marietta, GA (US); **Jonathan P. Payne**, Lawrenceville, GA (US); **John D. Coleman**, Philadelphia, PA (US); **Peter D. Byar**, Willingboro, NJ (US)

(73) Assignee: **Onity, Inc.**, Norcross, GA (US)

(**) Term: **14 Years**

(21) Appl. No.: **29/217,081**

(22) Filed: **Nov. 12, 2004**

Related U.S. Application Data

(62) Division of application No. 29/168,715, filed on Oct. 8, 2002, now Pat. No. Des. 512,297.

(51) **LOC (8) Cl.** **08-06**

(52) **U.S. Cl.** **D8/308**

(58) **Field of Classification Search** D8/300-302, D8/307, 308, 310, 330, DIG. 10, 350, 352; 292/336.3; 74/519, 523; 16/412
See application file for complete search history.

(56) **References Cited**

U.S. PATENT DOCUMENTS

D85,770 S * 12/1931 Ruppel D8/308

D85,844 S * 12/1931 Schnell D8/308
D197,400 S * 1/1964 Patriquin D8/302
D197,401 S * 1/1964 Maffei D8/308
D197,553 S * 2/1964 Maffei D8/308
D269,942 S * 8/1983 Coppola D8/308
D314,129 S * 1/1991 Zanini D8/301
D329,009 S * 9/1992 Marques D8/308
D431,173 S * 9/2000 Durbin D8/308

* cited by examiner

Primary Examiner—Paula A. Greene

(74) *Attorney, Agent, or Firm*—Akin Gump Strauss Hauer & Feld, LLP

(57) **CLAIM**

The ornamental design for a handle, as shown and described.

DESCRIPTION

FIG. 1 is a front perspective view of the handle in accordance with our new design;

FIG. 2 is a front elevational view thereof;

FIG. 3 is a rear elevational view thereof;

FIG. 4 is a right side elevational view thereof;

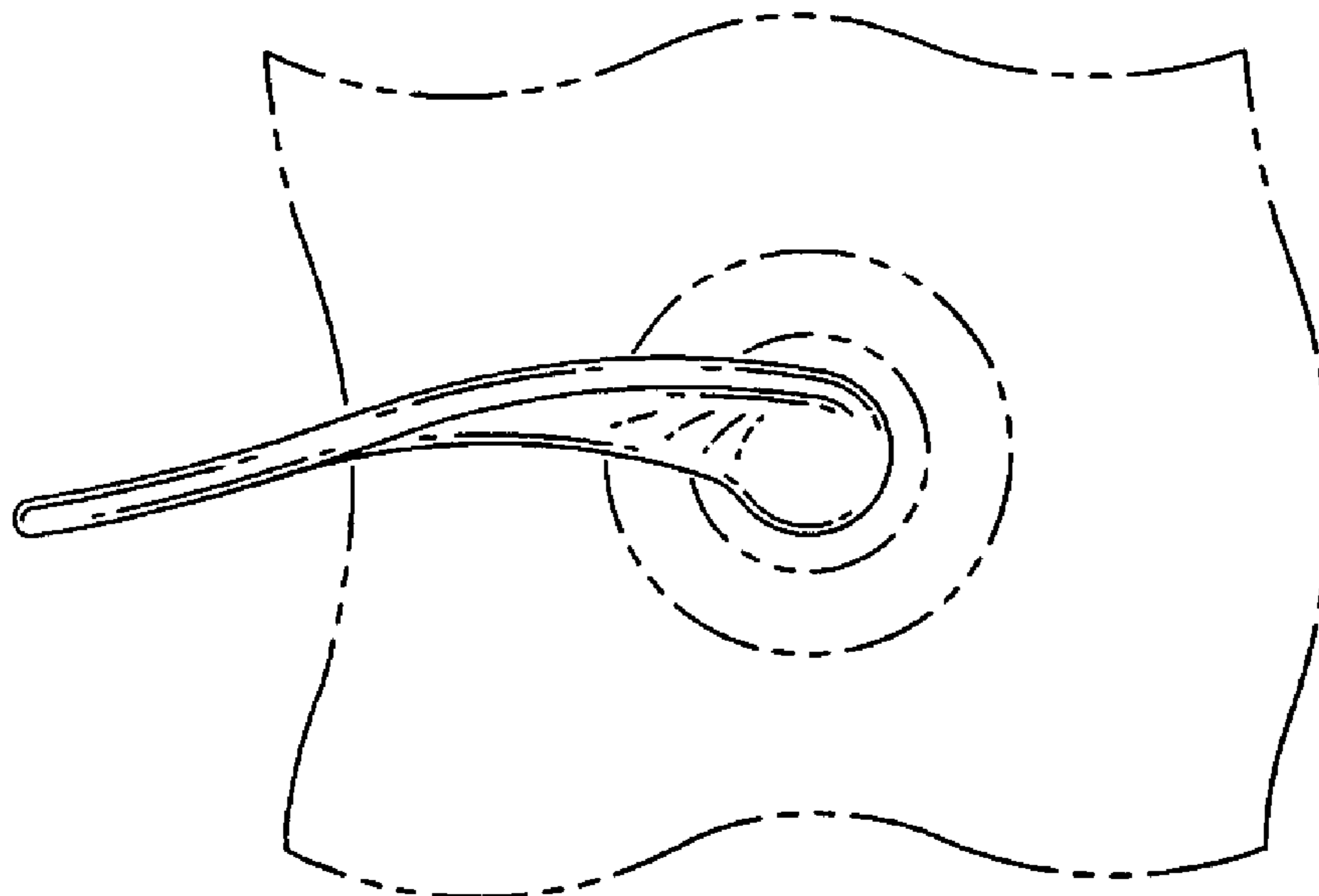
FIG. 5 is a left side elevational view being identical;

FIG. 6 is a top plan view thereof; and,

FIG. 7 is a bottom plan view thereof.

The broken lines in the figures are for illustrative purposes only and form no part of the claimed design.

1 Claim, 3 Drawing Sheets



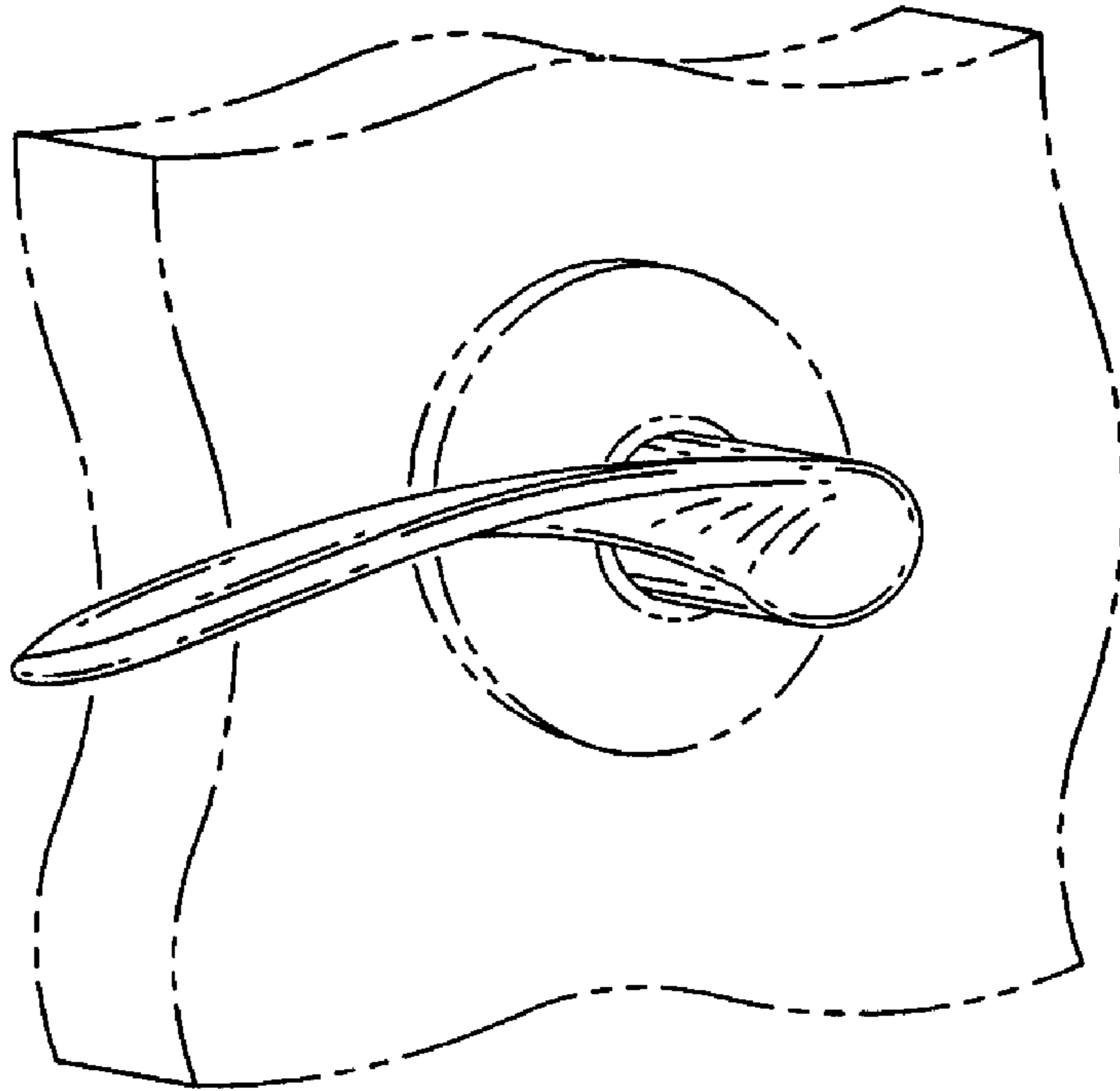


Fig. 1

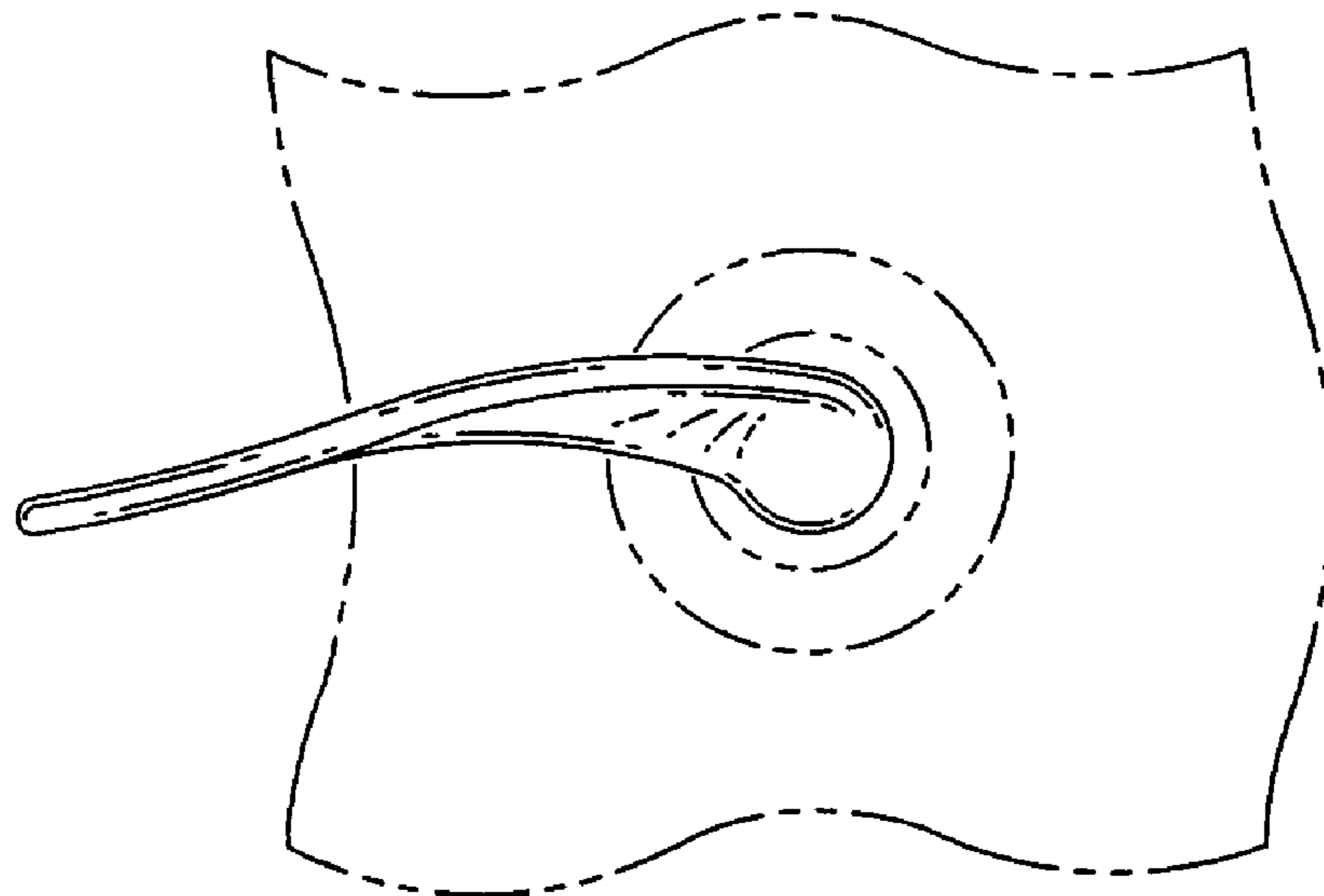


Fig. 2

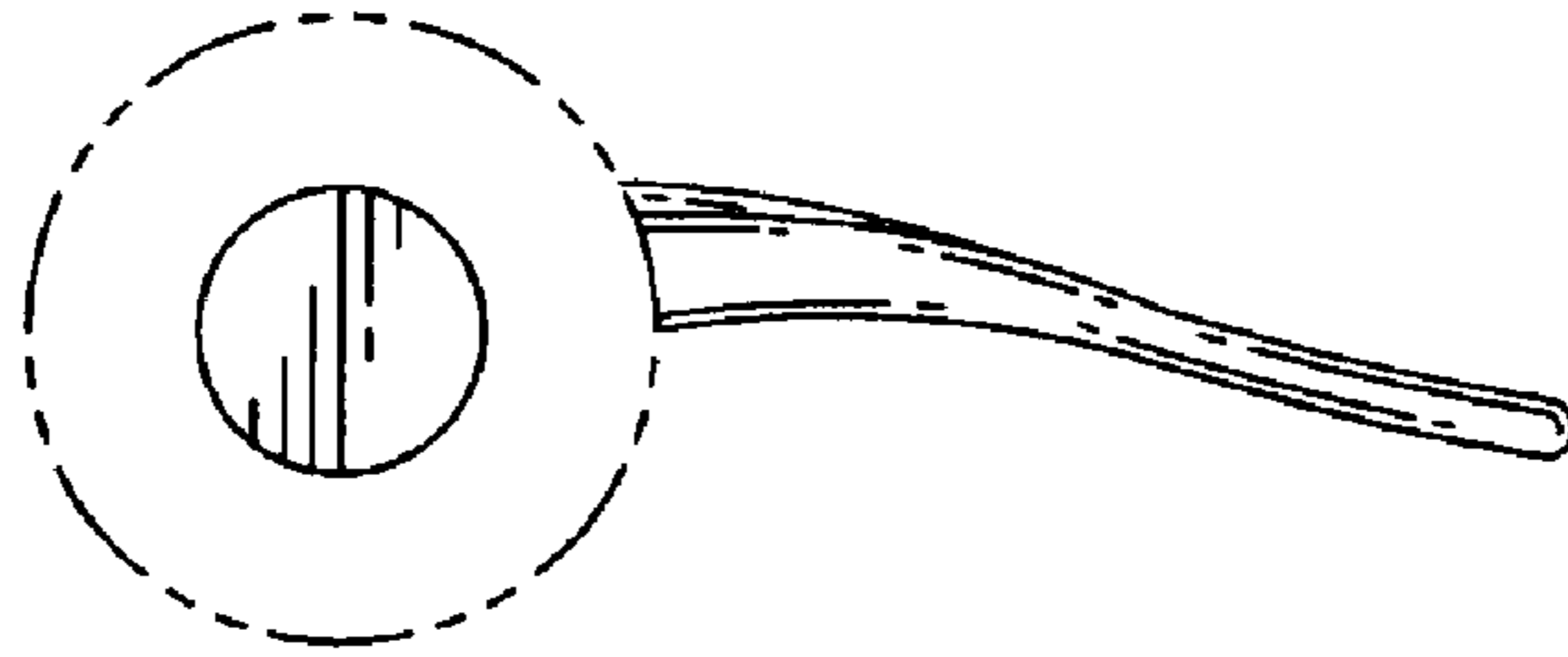


Fig. 3

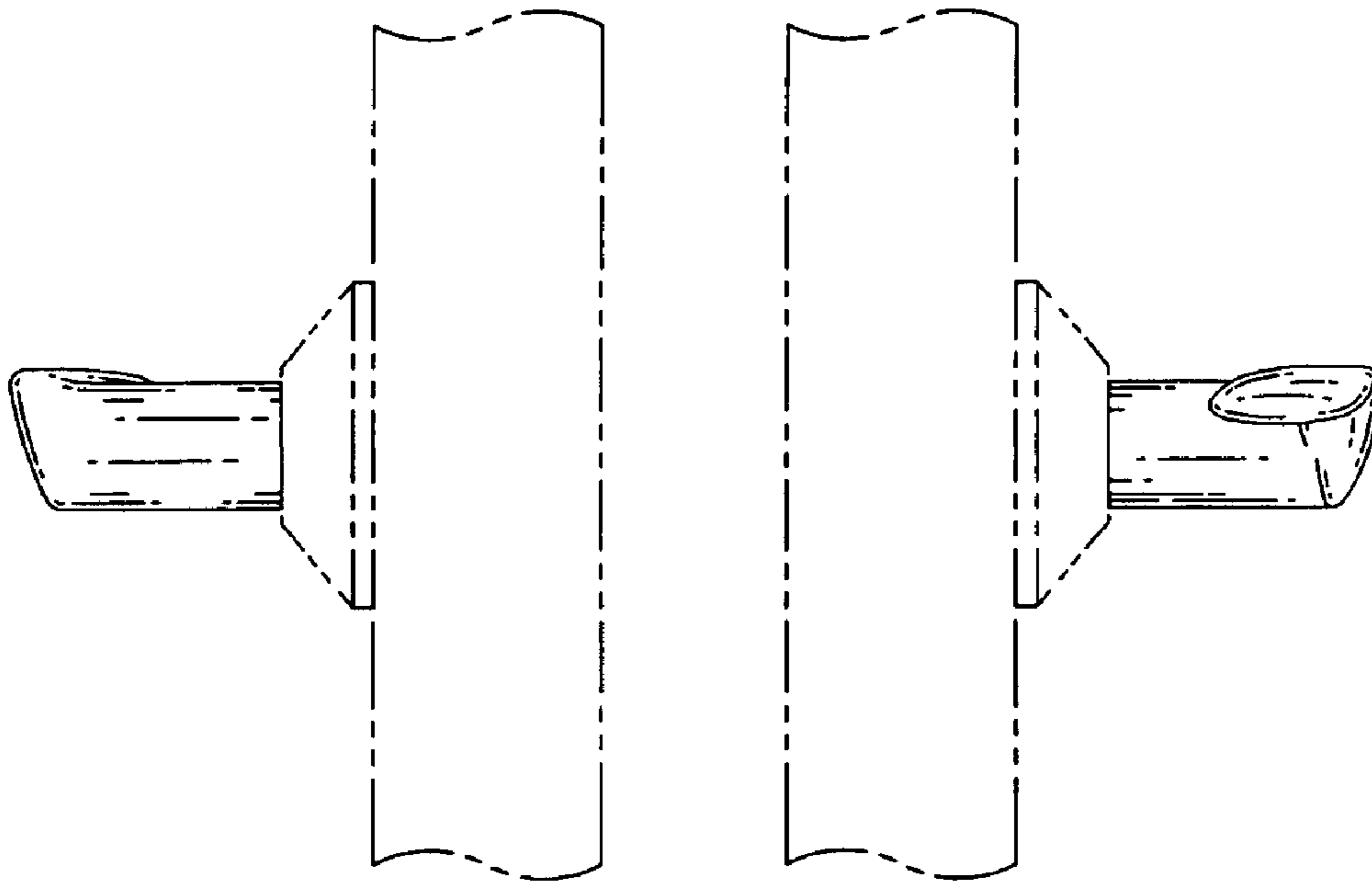


Fig. 4

Fig. 5

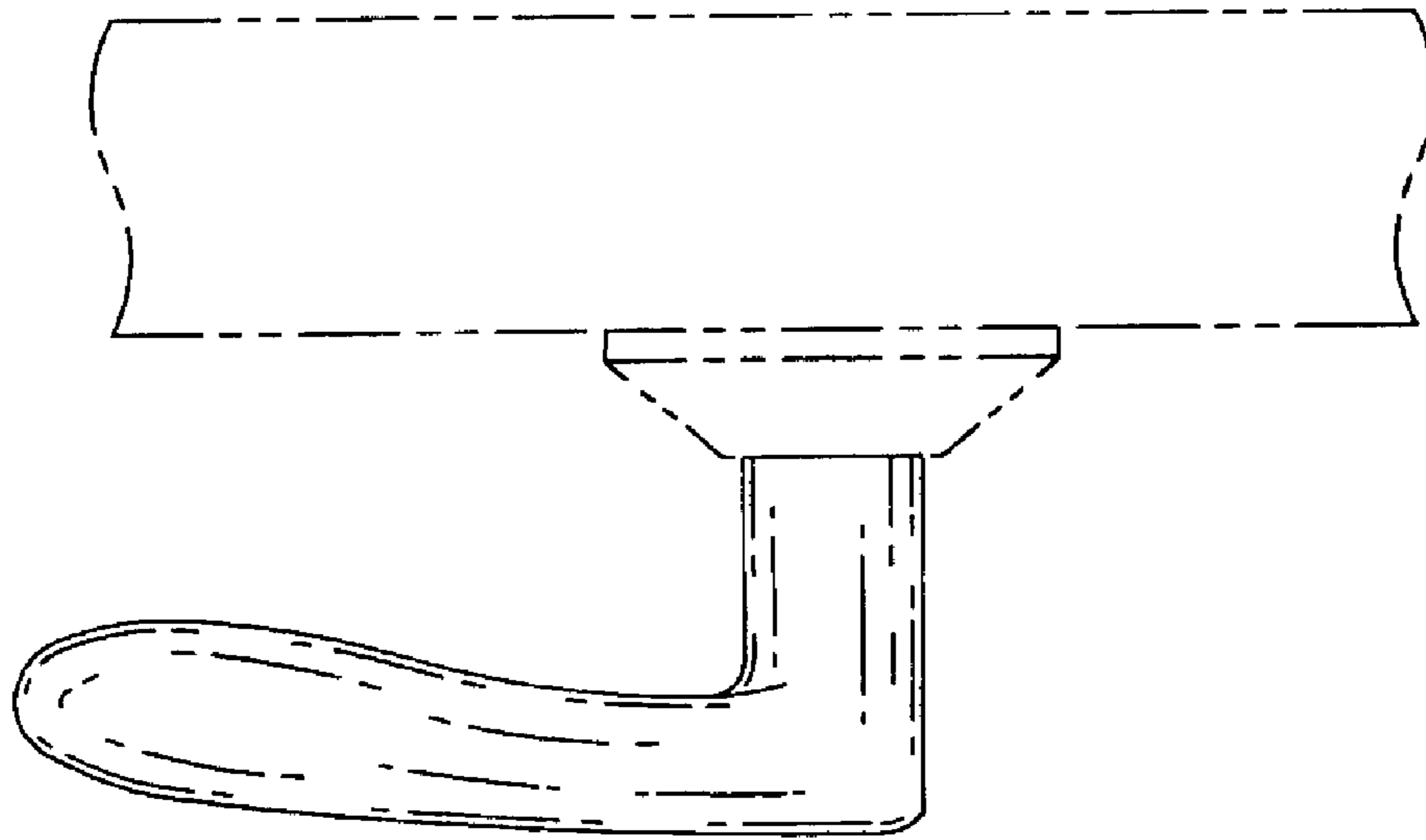


Fig. 6

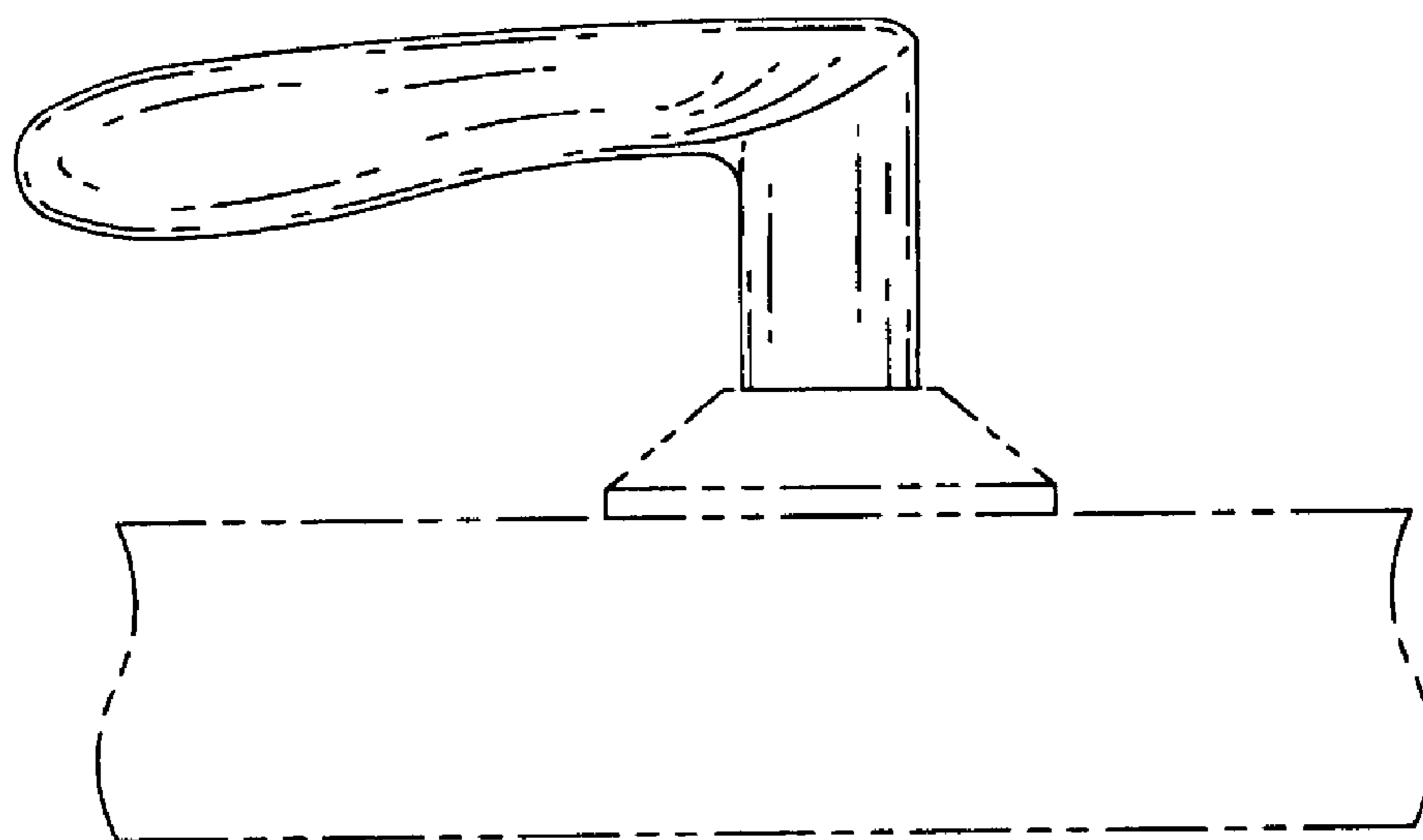


Fig. 7