

US00D526555S

(12) **United States Design Patent**
Kelleghan

(10) **Patent No.:** **US D526,555 S**

(45) **Date of Patent:** **** Aug. 15, 2006**

(54) **CARABINER WITH TOOL HANDLE**

(75) Inventor: **Brian James Kelleghan**, Longmont, CO (US)

(73) Assignee: **Bison Designs, LLC**, Longmont, CO (US)

(**) Term: **14 Years**

(21) Appl. No.: **29/209,830**

(22) Filed: **Jul. 22, 2004**

(51) **LOC (8) Cl.** **08-05**

(52) **U.S. Cl.** **D8/107; D8/356**

(58) **Field of Classification Search** D8/356,
D8/99, 105, 107; 7/116, 118

See application file for complete search history.

(56) **References Cited**

U.S. PATENT DOCUMENTS

5,270,909 A	12/1993	Weiss et al.	
D419,251 S	1/2000	Parsons et al.	
D422,731 S	4/2000	Parsons et al.	
D432,027 S	10/2000	Fox et al.	
6,190,018 B1	2/2001	Parsons et al.	
D441,473 S	5/2001	Parsons et al.	
6,223,372 B1 *	5/2001	Barber	7/118
D443,370 S	6/2001	Yu	
6,299,323 B1	10/2001	Yu et al.	
6,357,890 B1	3/2002	Parsons et al.	
D457,303 S	5/2002	Yuen	
D457,304 S	5/2002	Yuen	
D459,338 S	6/2002	Sterzick	
D466,422 S	12/2002	Luquire	
D471,305 S	3/2003	Luquire	
D475,591 S	6/2003	Luquire	
D483,519 S	12/2003	Liu et al.	
D484,263 S	12/2003	Kelleghan	
6,715,898 B1	4/2004	Huang	

* cited by examiner

Primary Examiner—Holly Baynham

(74) *Attorney, Agent, or Firm*—Margaret Polson; Patent Law Offices of Rick Martin, PC

(57) **CLAIM**

The ornamental design for a carabiner with tool handle, as shown and described.

DESCRIPTION

FIG. 1 is a top plan view of my new design for a carabiner with tool handle with the undisclosed bottom view being a mirror image thereof;

FIG. 2 is a right elevation view of the carabiner with tool handle shown in FIG. 1.

FIG. 3 is a left side elevation view of the carabiner with tool handle shown in FIG. 1.

FIG. 4 is a front side elevation view of the carabiner with tool handle shown in FIG. 1.

FIG. 5 is a rear side elevation view of the carabiner with tool handle shown in FIG. 1.

FIG. 6 is a top perspective view of the carabiner with tool handle shown in FIG. 1.

FIG. 7 is a top plan view of an alternate environment of my new design for a carabiner tool with handle;

FIG. 8 is a right elevation view of the carabiner with tool handle shown in FIG. 7.

FIG. 9 is a left side elevation view of the carabiner with tool handle shown in FIG. 7.

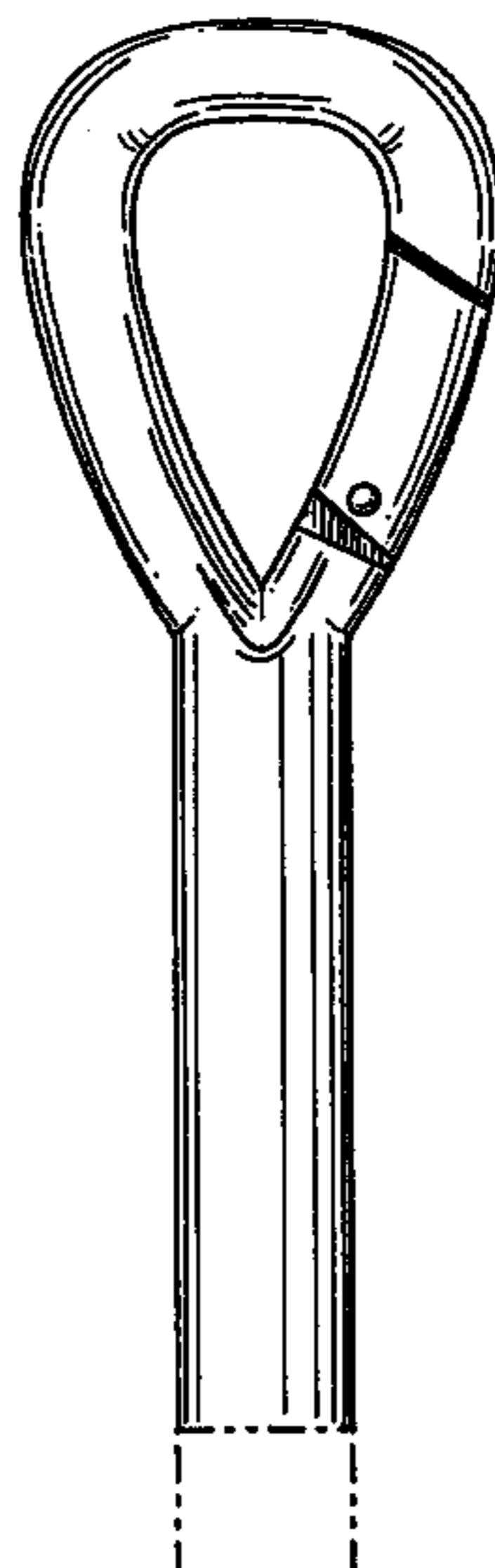
FIG. 10 is a front side elevation view of the carabiner with tool handle shown in FIG. 7.

FIG. 11 is a rear side elevation view of the carabiner with tool handle shown in FIG. 7; and,

FIG. 12 is a top perspective view of the carabiner with tool handle shown in FIG. 7.

The broken line showing of a light in FIGS. 1–6 and a writing instrument in FIGS. 7–12 is for illustrative purposes only and forms no part of the claimed design.

1 Claim, 2 Drawing Sheets



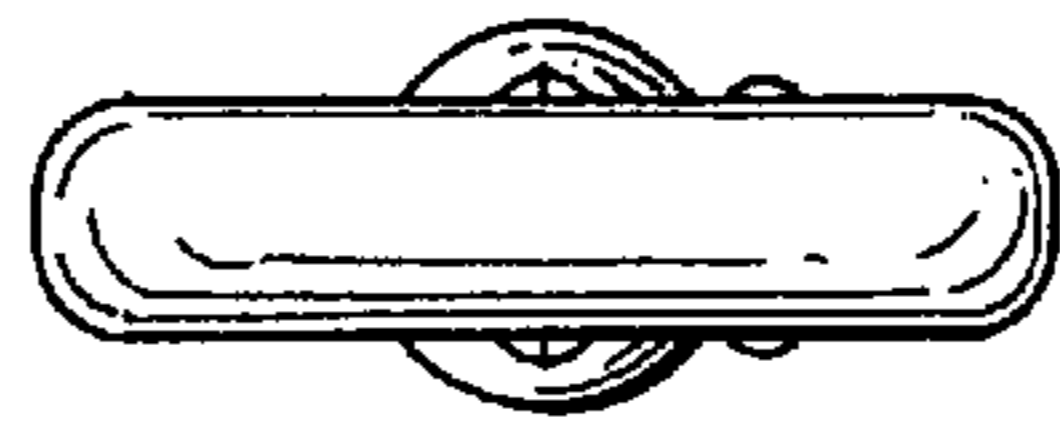


FIG. 4

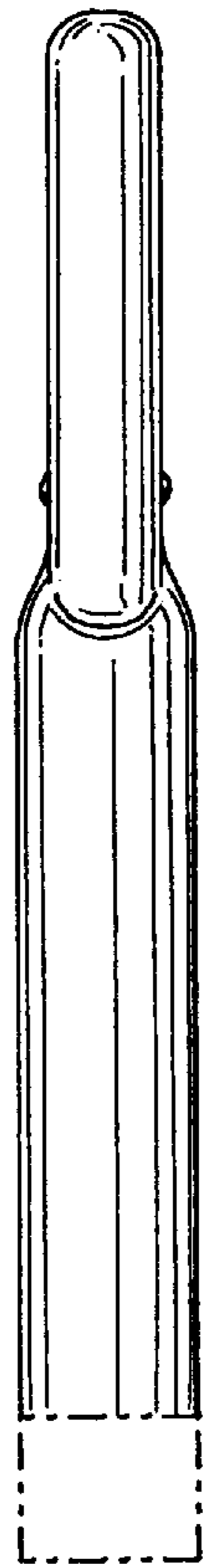


FIG. 2

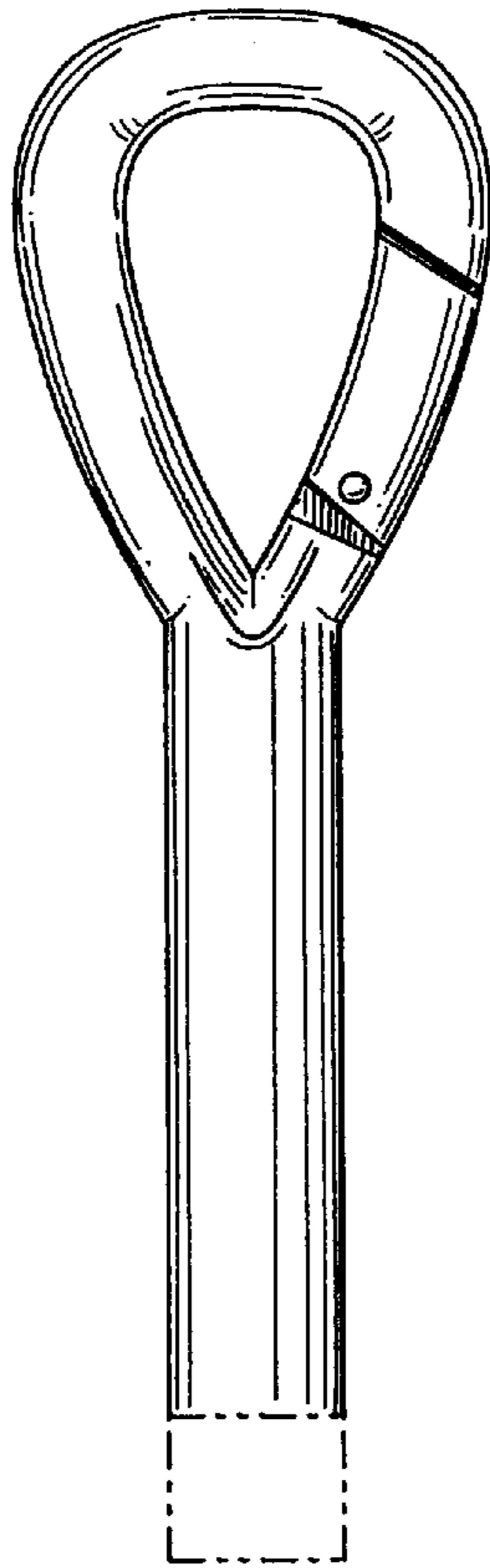


FIG. 1

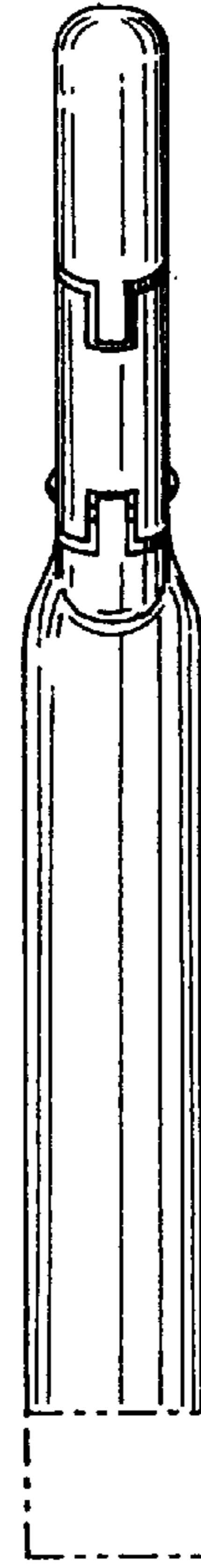


FIG. 3

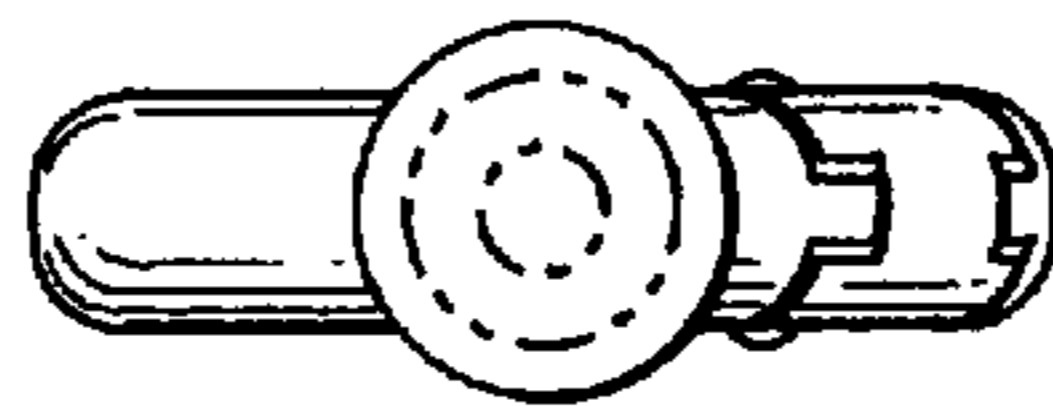


FIG. 5

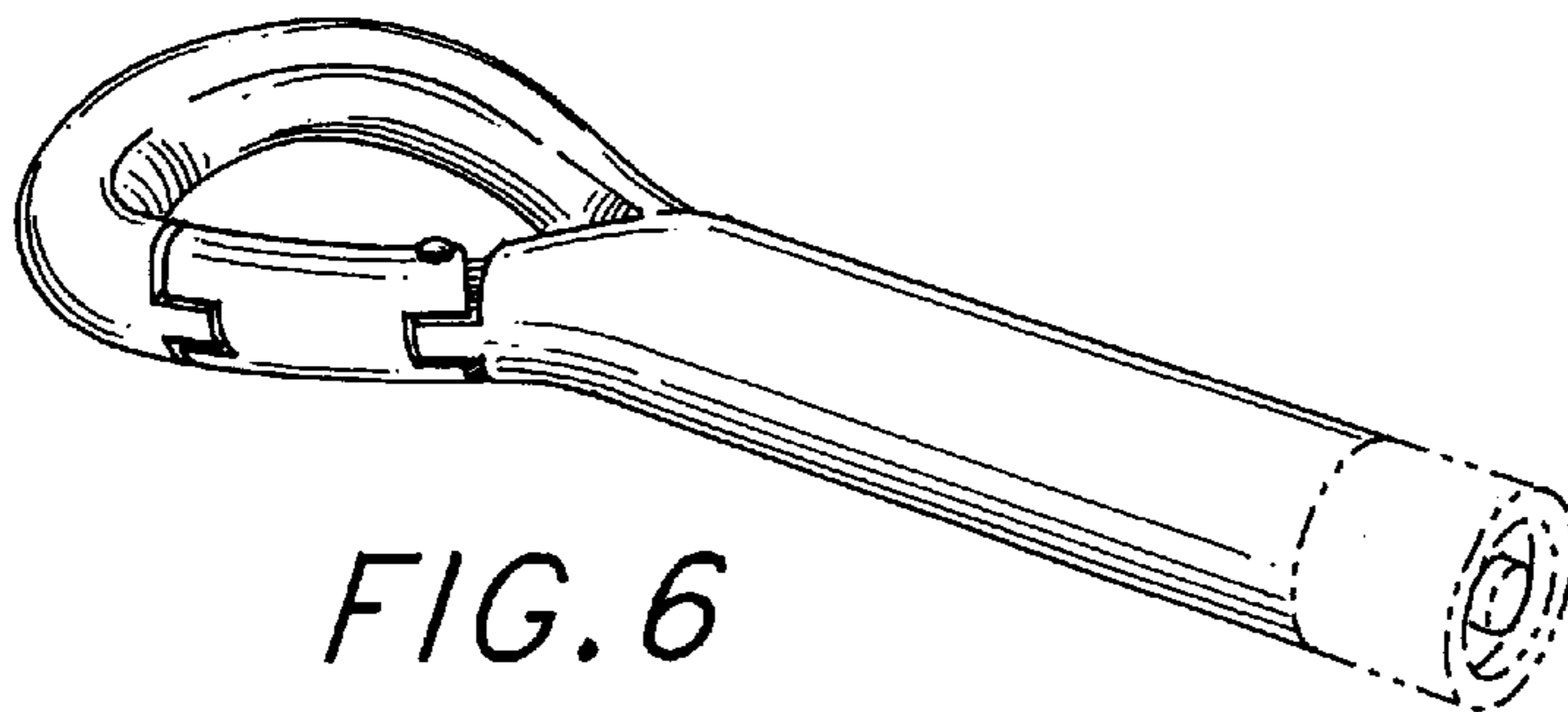


FIG. 6

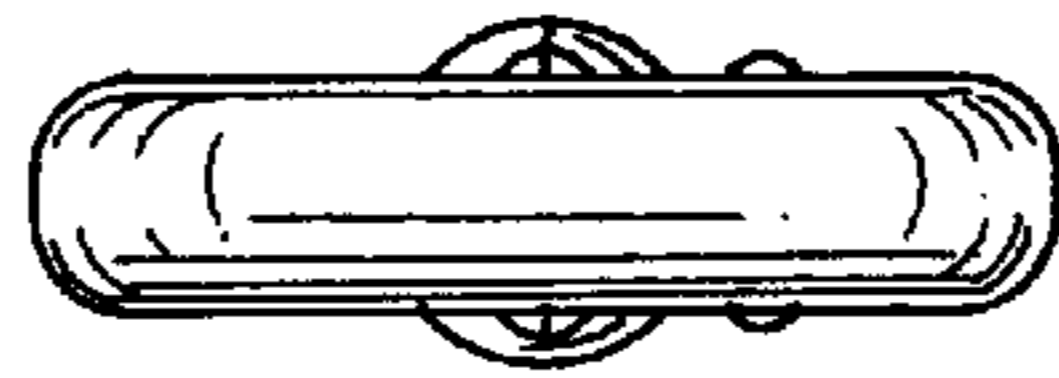


FIG. 10

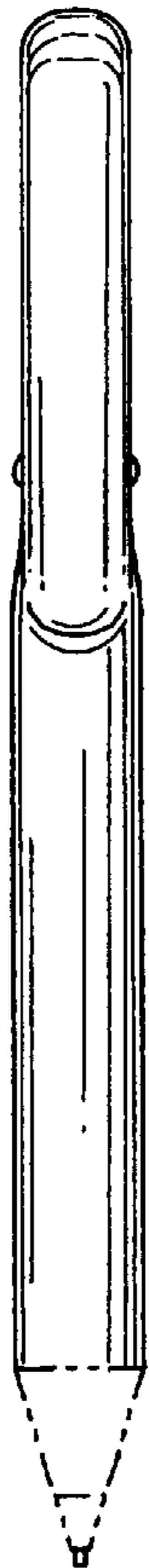


FIG. 8

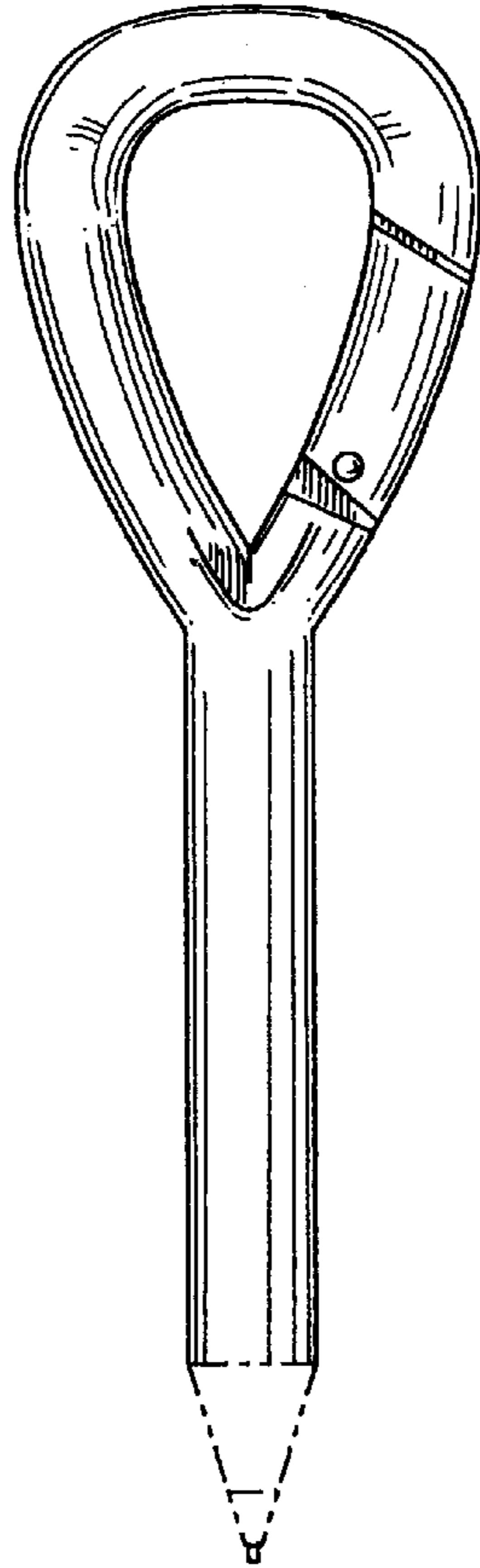


FIG. 7



FIG. 9



FIG. 11

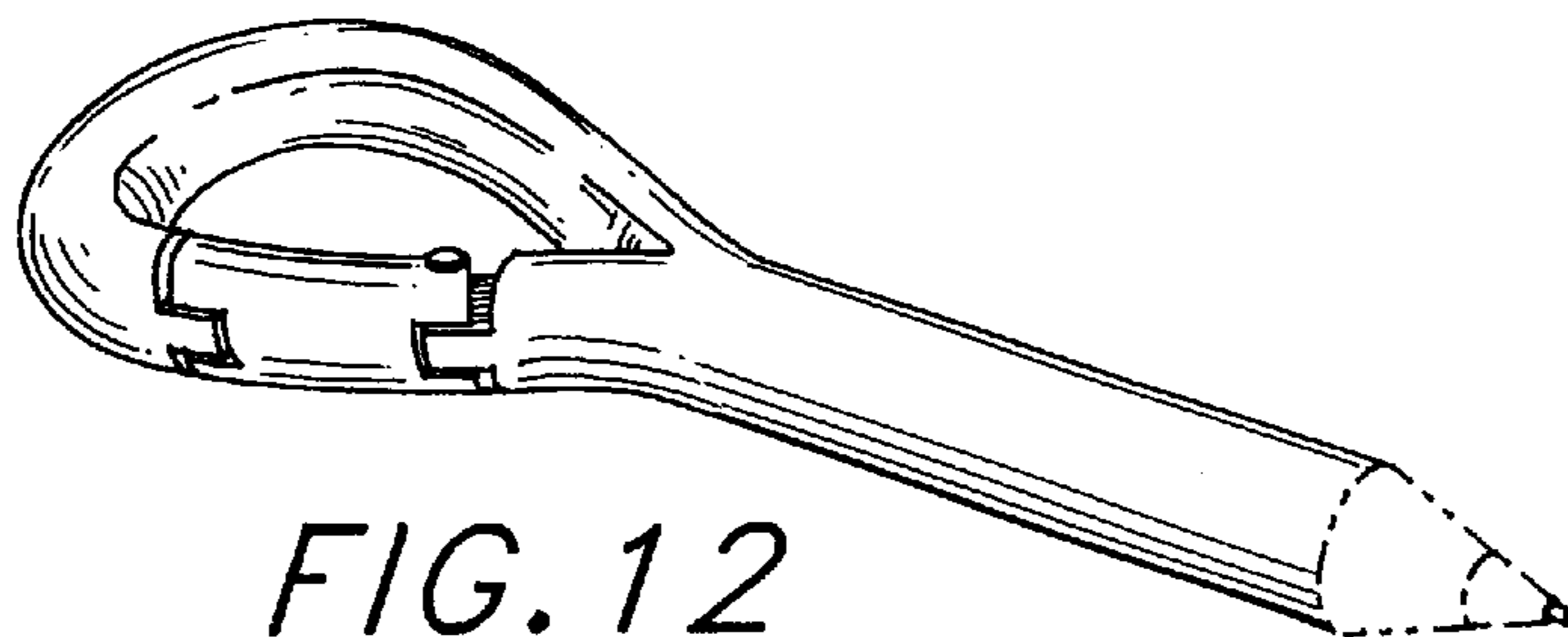


FIG. 12