



US00D526552S

(12) **United States Design Patent**
Tsuzuki et al.

(10) **Patent No.:** **US D526,552 S**

(45) **Date of Patent:** **** Aug. 15, 2006**

(54) **PORTABLE NAILING MACHINE**

(75) Inventors: **Hitoshi Tsuzuki**, Hitachinaka (JP);
Takeshi Matsuoka, Hitachinaka (JP);
Yoshihiro Nakano, Hitachinaka (JP);
Takashi Ueda, Hitachinaka (JP)

(73) Assignee: **Hitachi Koki Co., Ltd.**, Tokyo (JP)

(**) Term: **14 Years**

(21) Appl. No.: **29/253,466**

(22) Filed: **Feb. 8, 2006**

(30) **Foreign Application Priority Data**

Aug. 12, 2005 (JP) 2005-023564

(51) **LOC (8) Cl.** **08-05**

(52) **U.S. Cl.** **D8/69**

(58) **Field of Classification Search** D8/14.1,
D8/61, 62, 63, 64, 65, 66, 67, 68, 69, 70;
81/57.11, 429, 464, 465, 466, 469, 489; 173/13,
173/104, 114, 168, 169, 170, 171, 178, 201,
173/211, 213, 217; 408/20, 124, 125, 234,
408/241 R; 451/358; 310/50; 227/8, 114,
227/120, 130, 136, 142

See application file for complete search history.

(56) **References Cited**

U.S. PATENT DOCUMENTS

D338,818 S * 8/1993 Katsuba D8/62

5,564,614 A * 10/1996 Yang 227/8
D475,597 S * 6/2003 Arai D8/68
D497,299 S * 10/2004 Matsuoka et al. D8/69
D500,654 S * 1/2005 Leasure et al. D8/69
6,886,729 B1 * 5/2005 Lee 227/8
6,929,165 B1 * 8/2005 Chen et al. 227/8
D512,622 S * 12/2005 Thomas D8/69
2005/0155778 A1 * 7/2005 Ishida et al. 173/170

* cited by examiner

Primary Examiner—T. Chase Nelson

(74) *Attorney, Agent, or Firm*—Sughrue Mion, PLLC

(57) **CLAIM**

The ornamental design for a portable nailing machine, as shown.

DESCRIPTION

FIG. 1 is a perspective view of the top, front and left side of a portable nailing machine showing our new design;

FIG. 2 is a front elevational view thereof;

FIG. 3 is a rear elevational view thereof;

FIG. 4 is a top plan view thereof;

FIG. 5 is a bottom plan view thereof;

FIG. 6 is a left side elevational view thereof; and,

FIG. 7 is a right side elevational view thereof.

1 Claim, 3 Drawing Sheets

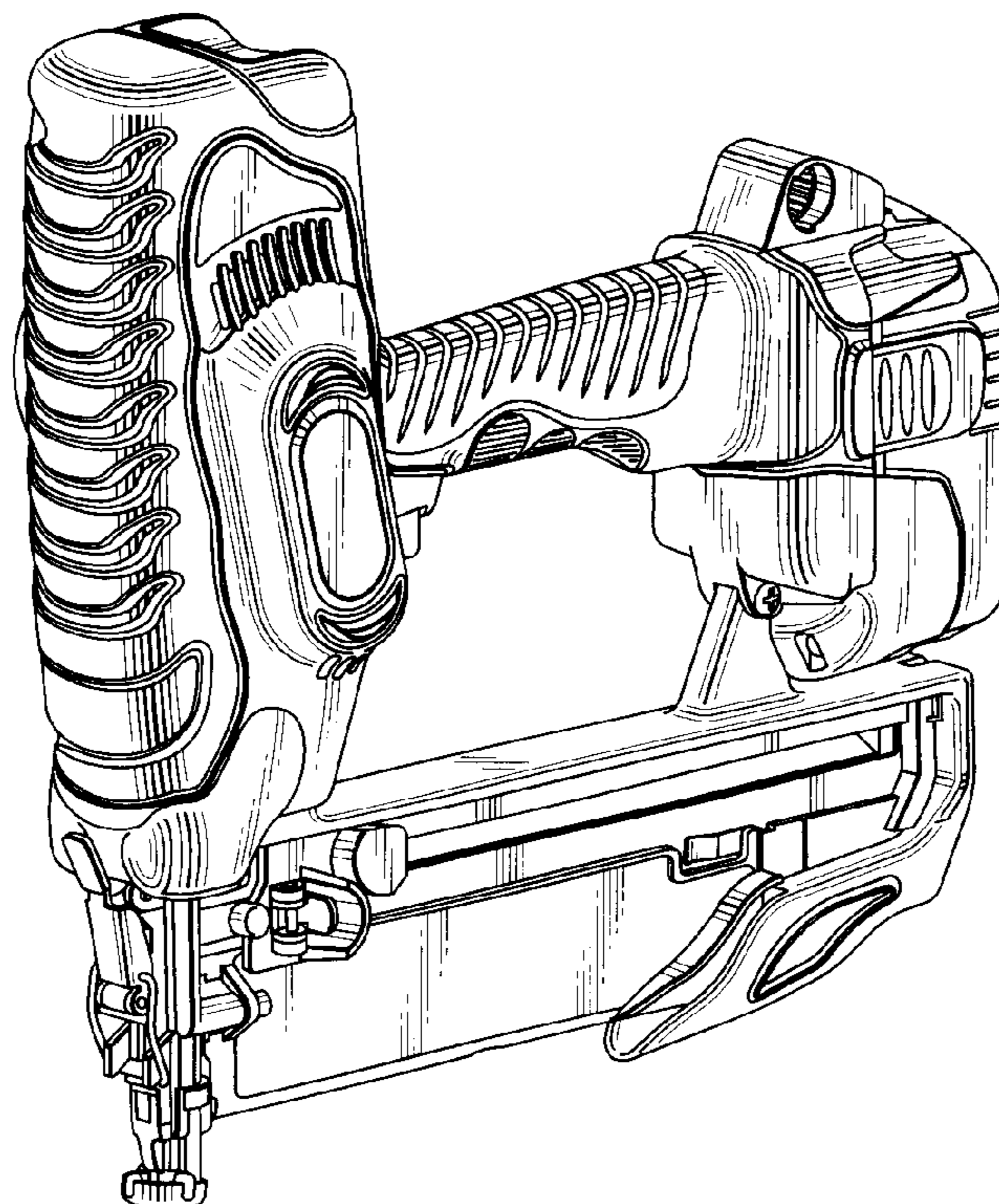


FIG. 1

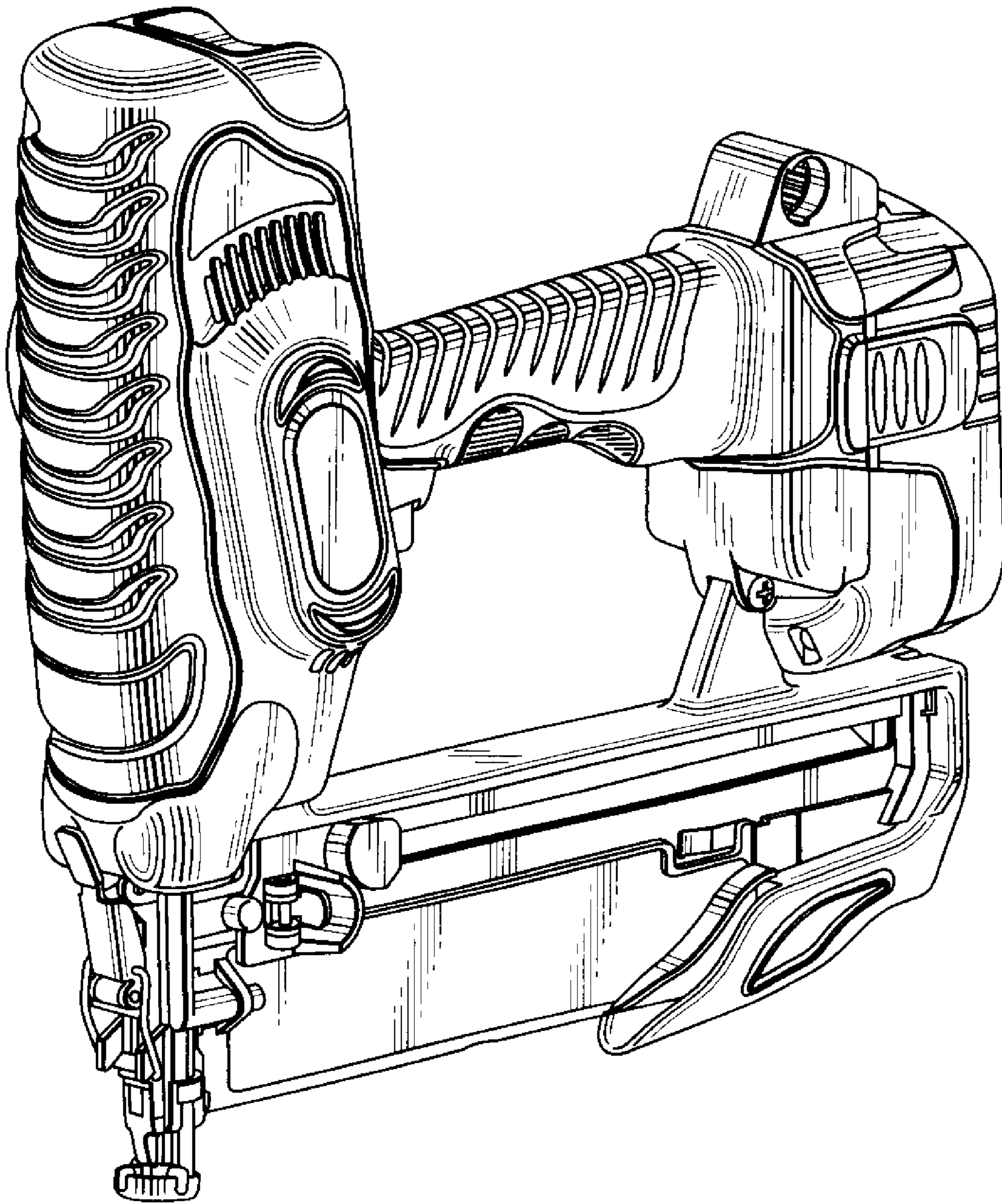


FIG.2

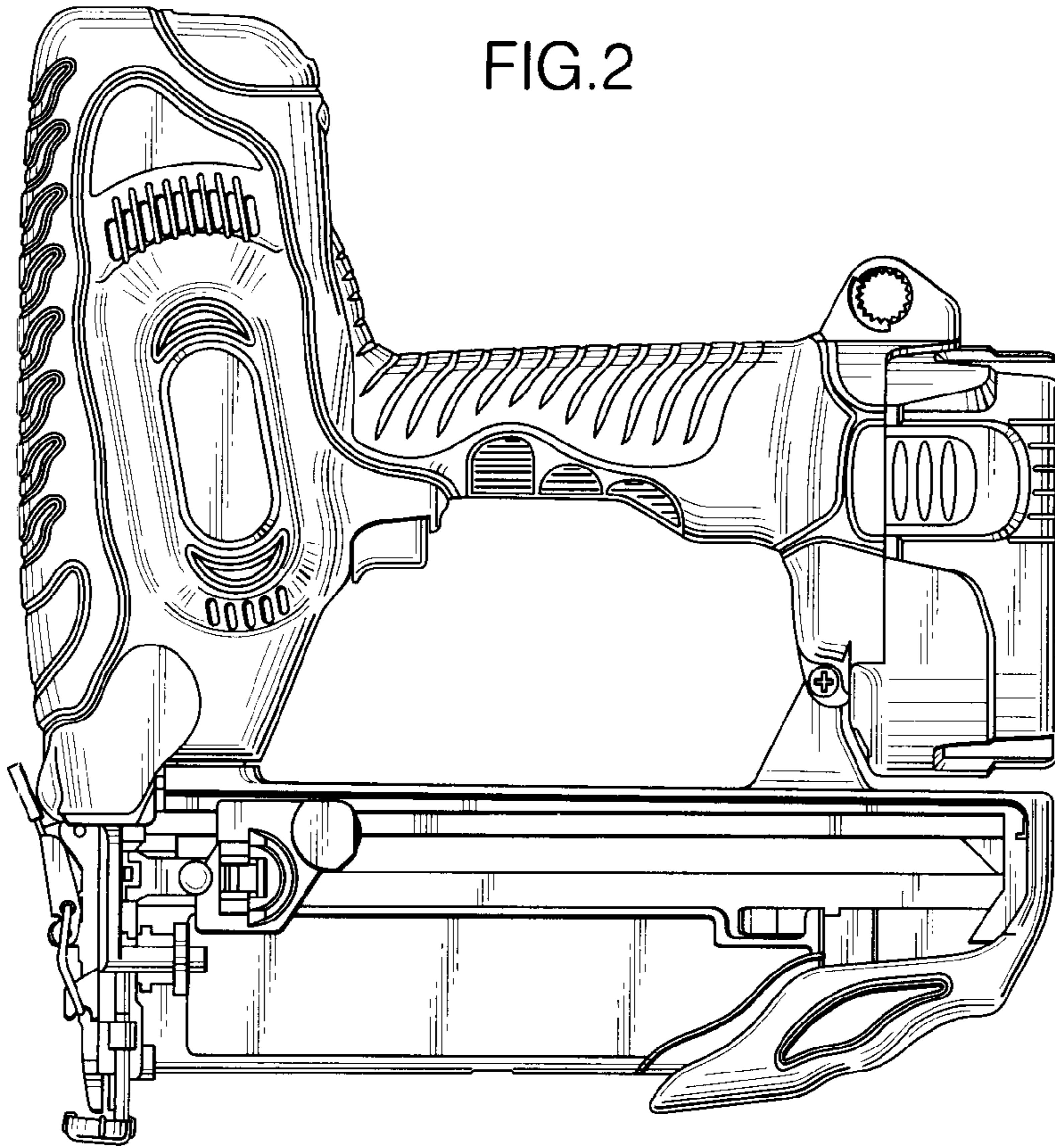


FIG.3

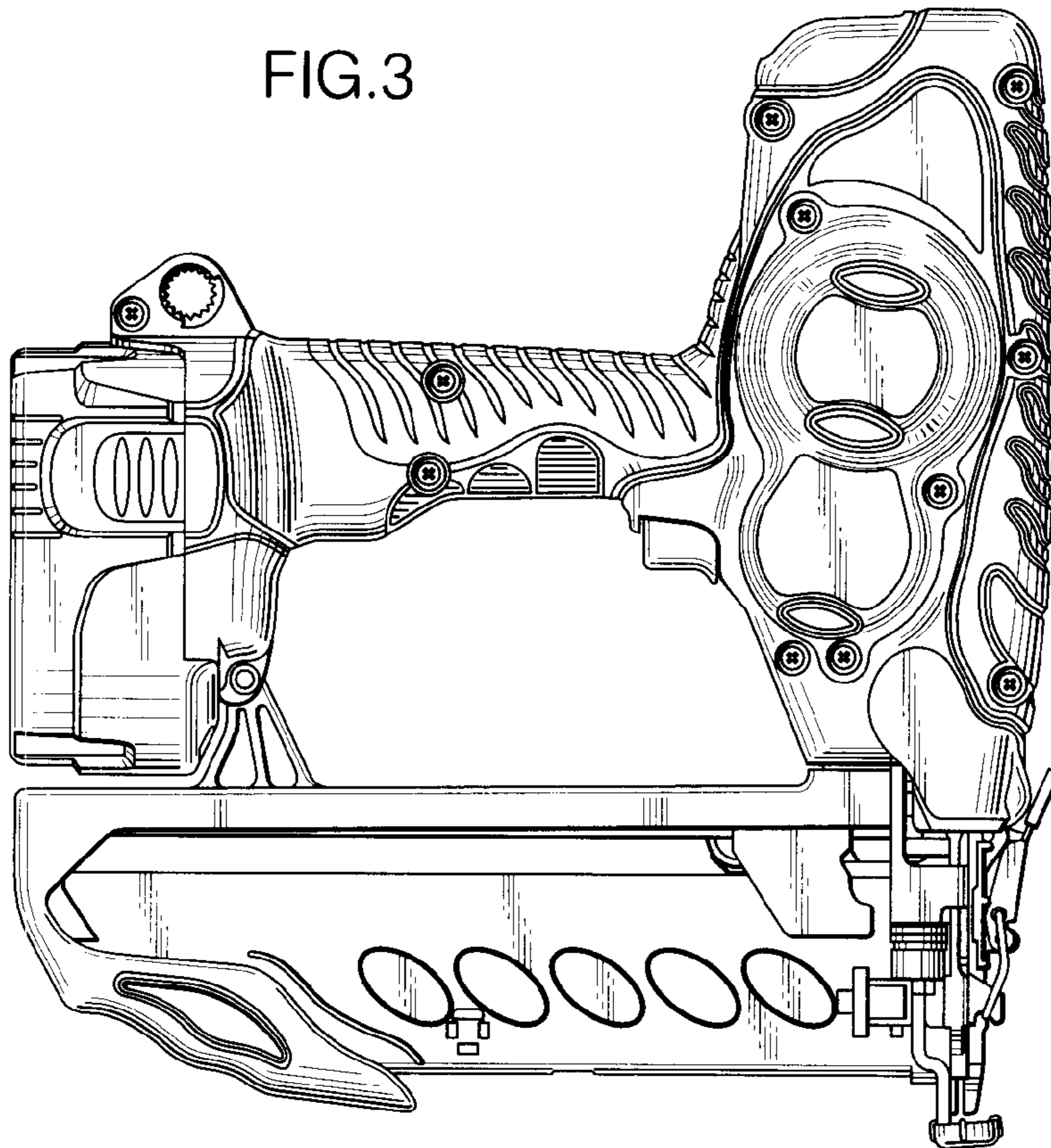


FIG.4

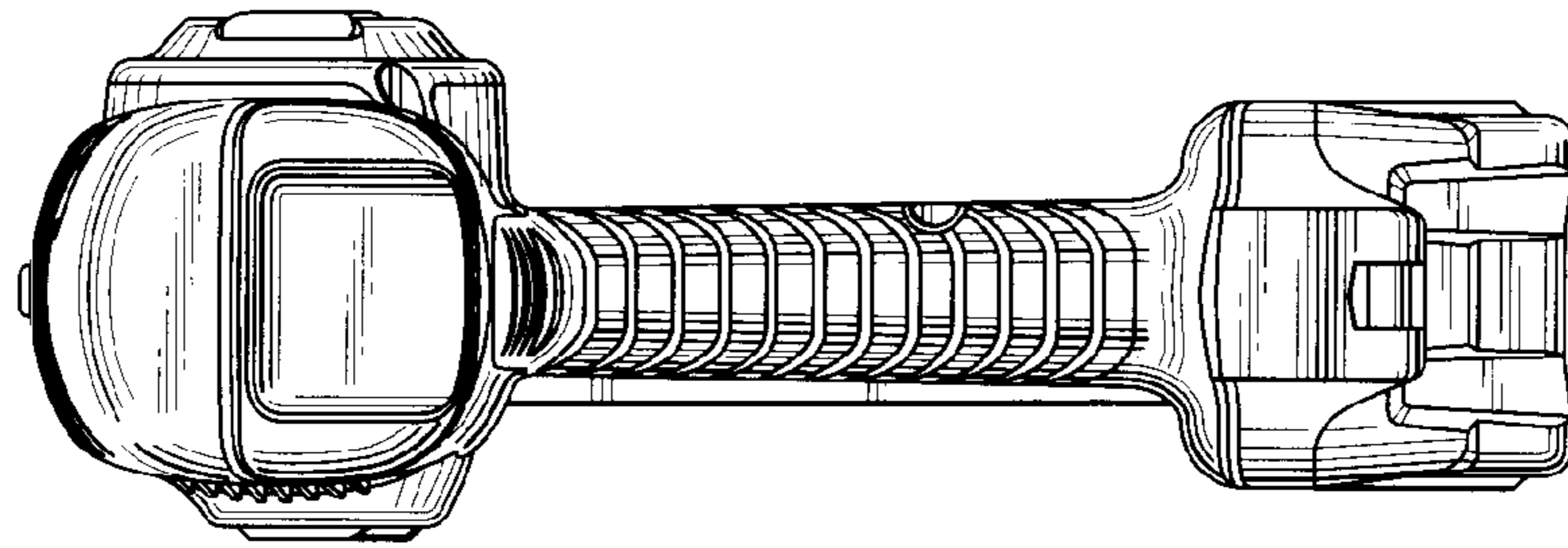


FIG.5

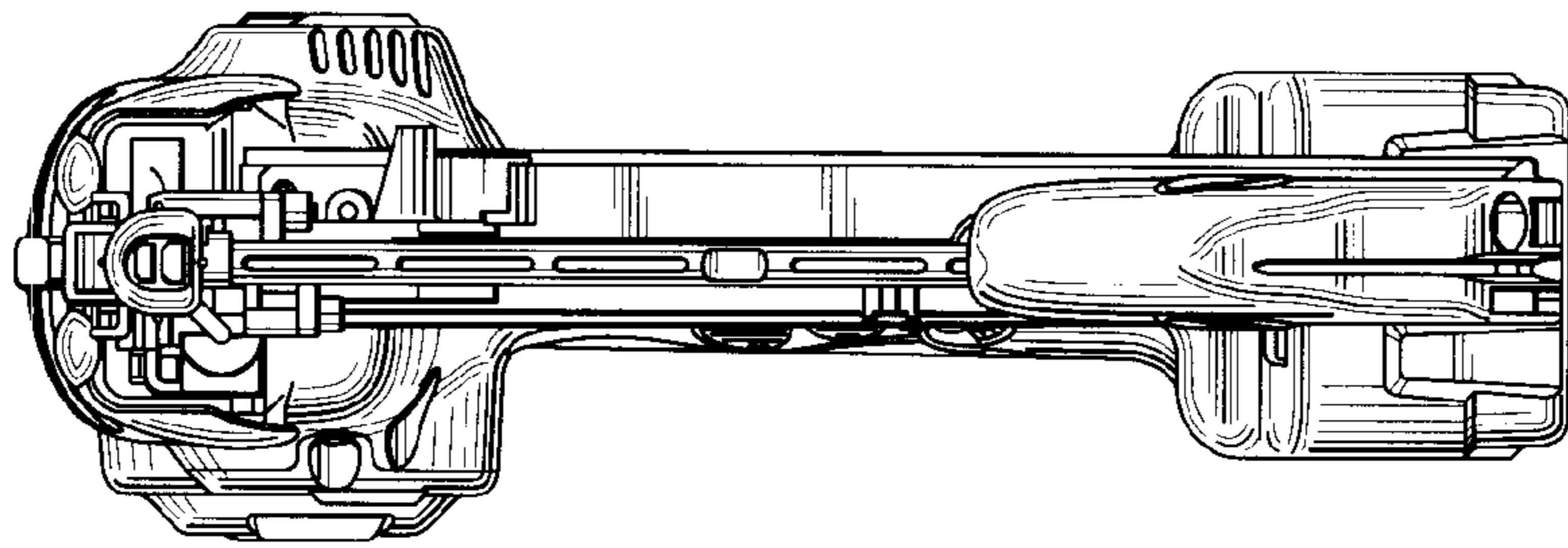


FIG.6

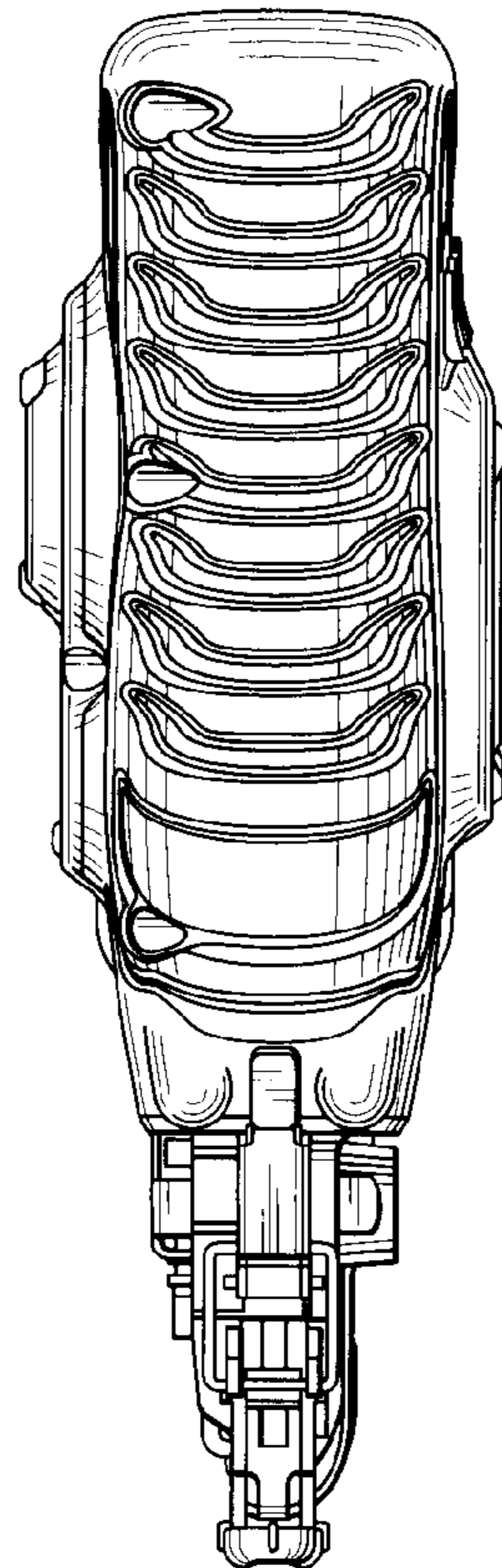


FIG.7

