

US00D526551S

(12) **United States Design Patent** (10) **Patent No.:** **US D526,551 S**
Sakai et al. (45) **Date of Patent:** **** Aug. 15, 2006**

(54) **PORTABLE GAS NAILING MACHINE**
(75) Inventors: **Masato Sakai**, Hitachinaka (JP);
Haruhiko Oouchi, Hitachinaka (JP)
(73) Assignee: **Hitachi Koki Co., Ltd.**, Tokyo (JP)
(**) Term: **14 Years**

D497,299 S 10/2004 Matsuoka et al.
D498,127 S * 11/2004 Leasure D8/68
D500,654 S * 1/2005 Leasure et al. D8/69
D502,637 S 3/2005 Hattori et al.
6,886,729 B1 * 5/2005 Lee 227/8
6,886,730 B1 * 5/2005 Fujisawa et al. 227/130
D508,191 S * 8/2005 Hattori et al. D8/68
6,929,165 B1 * 8/2005 Chen et al. 227/8
2005/0173487 A1 * 8/2005 Moeller et al. 227/130
2005/0218179 A1 * 10/2005 Akiba et al. 227/130
2006/0011695 A1 * 1/2006 Ishizawa et al. 227/120

(21) Appl. No.: **29/252,745**
(22) Filed: **Jan. 27, 2006**

FOREIGN PATENT DOCUMENTS

(30) **Foreign Application Priority Data**

JP D1208273 S 6/2004
JP D1208859 S 6/2004
JP D1215536 S 8/2004

Jul. 29, 2005 (JP) 2005-022251

* cited by examiner

(51) **LOC (8) Cl.** **08-05**
(52) **U.S. Cl.** **D8/69**
(58) **Field of Classification Search** D8/14.1,
D8/61, 62, 63, 64, 65, 66, 67, 68, 69, 70;
81/57.11, 429, 464, 465, 466, 469, 489; 173/13,
173/104, 114, 168, 169, 170, 171, 178, 201,
173/211, 213, 217; 408/20, 124, 125, 234,
408/241 R; 451/358; 310/50; 227/8, 114,
227/120, 130, 136, 142

Primary Examiner—T. Chase Nelson
(74) *Attorney, Agent, or Firm*—Sughrue Mion, PLLC

See application file for complete search history.

(57) **CLAIM**

The ornamental design for a portable gas nailing machine, as shown.

DESCRIPTION

(56) **References Cited**

FIG. 1 is a perspective view of the top, front and left side of a portable gas nailing machine showing our new design; FIG. 2 is a front elevational view thereof; FIG. 3 is a top plan view thereof; FIG. 4 is a rear elevational view thereof; FIG. 5 is a bottom plan view thereof; FIG. 6 is a left side elevational view thereof; and, FIG. 7 is a right side elevational view thereof.

U.S. PATENT DOCUMENTS

D338,818 S * 8/1993 Katsuba D8/62
5,564,614 A * 10/1996 Yang 227/8
D475,597 S * 6/2003 Arai D8/68
D477,206 S * 7/2003 Sakai et al. D8/69
D484,385 S * 12/2003 Sakai et al. D8/68
6,708,860 B1 * 3/2004 Thieleke 227/8
6,783,043 B1 * 8/2004 Jakob et al. 227/8
6,796,476 B1 * 9/2004 Birk et al. 227/120

1 Claim, 4 Drawing Sheets

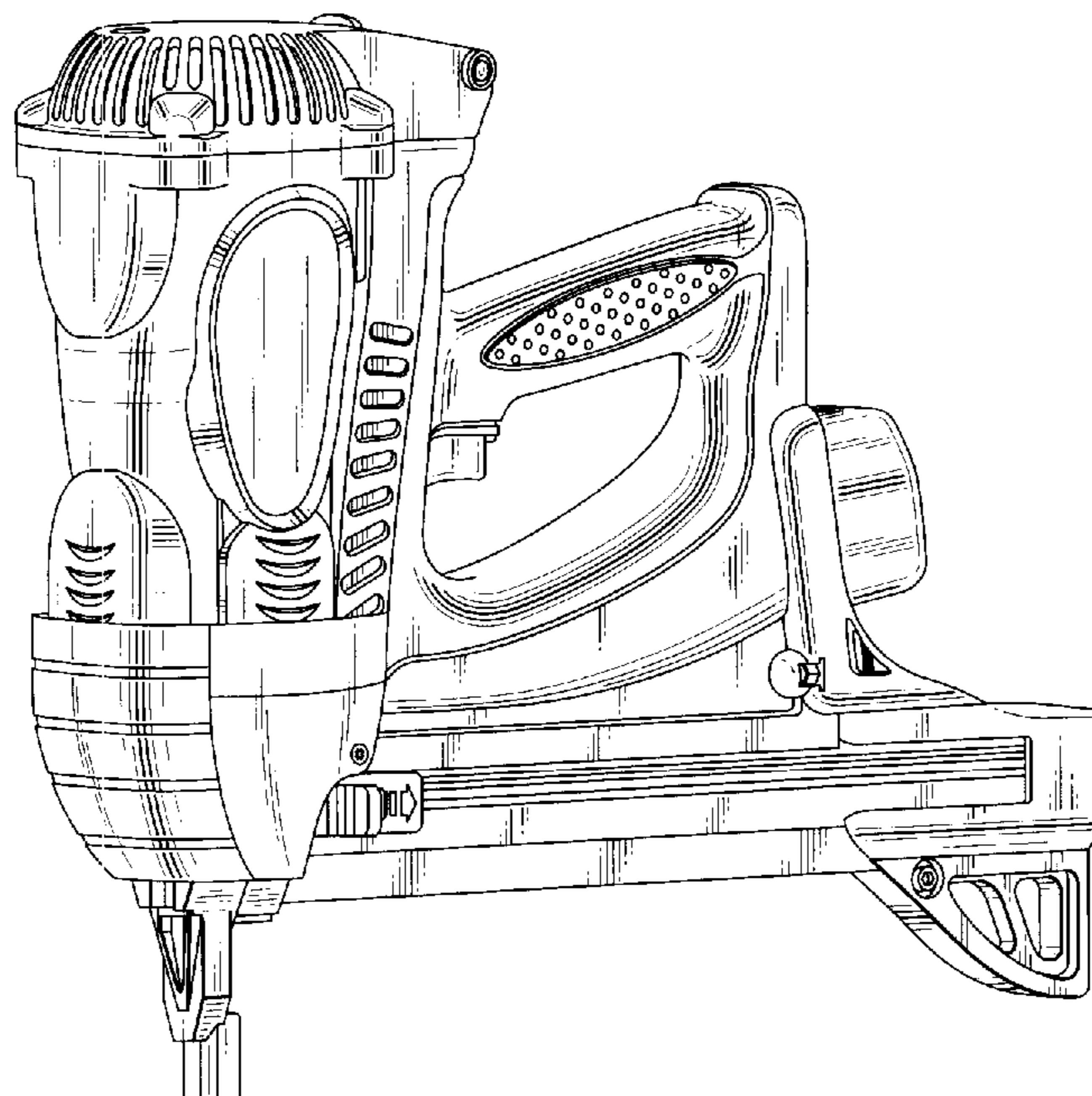


FIG. 1

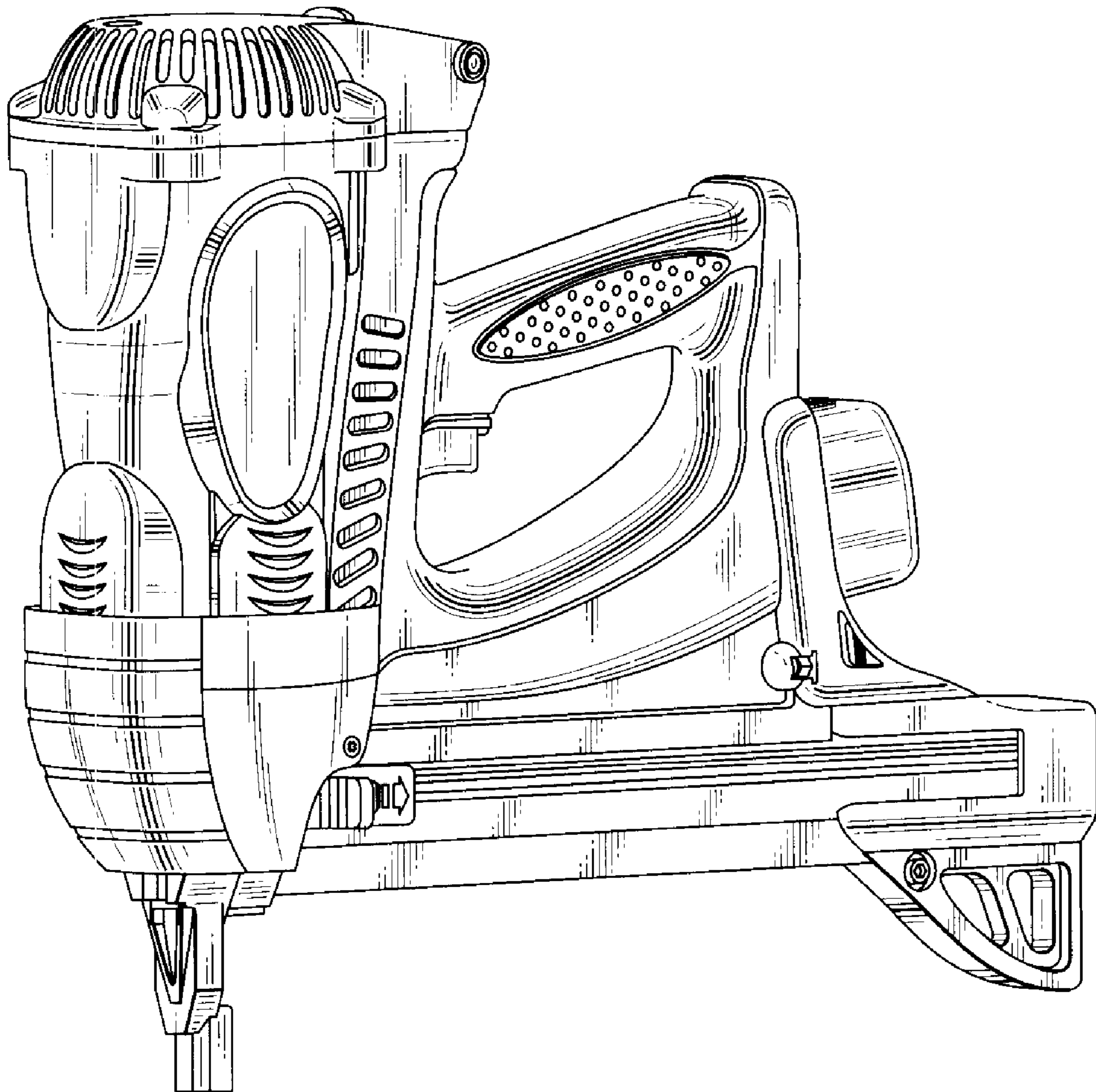


FIG.2

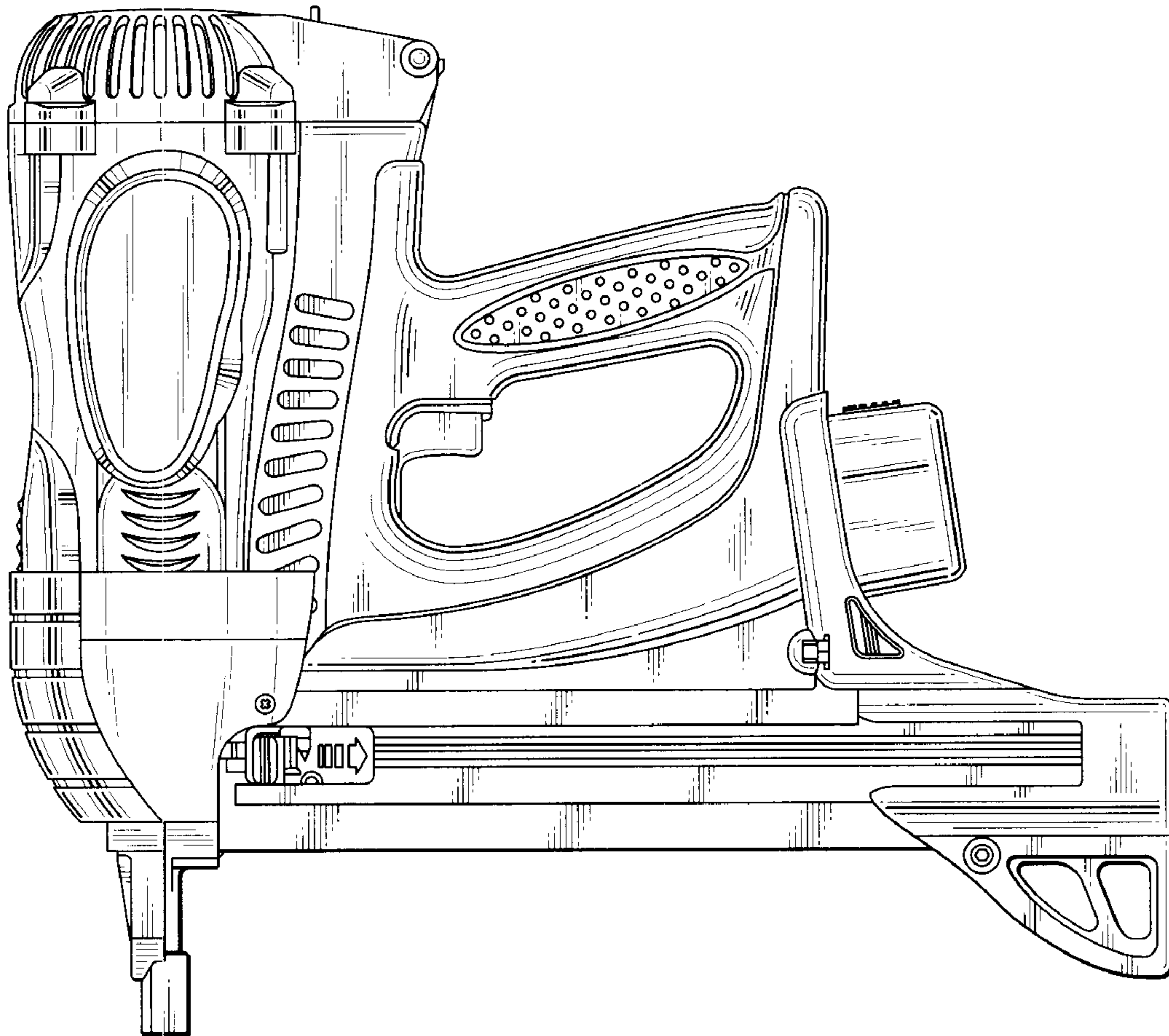


FIG.3

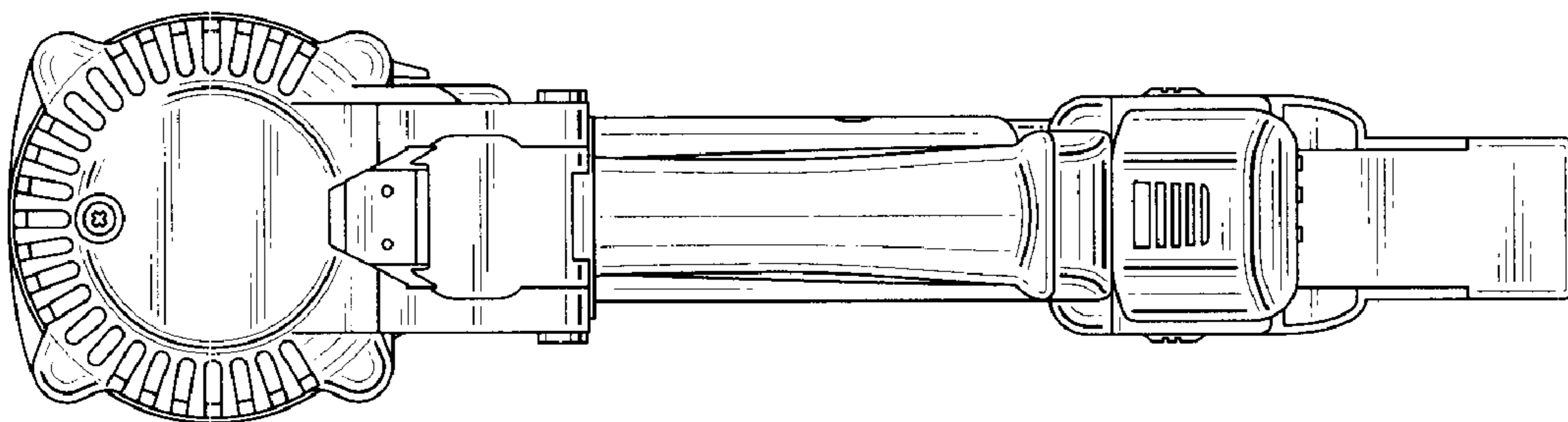


FIG.4

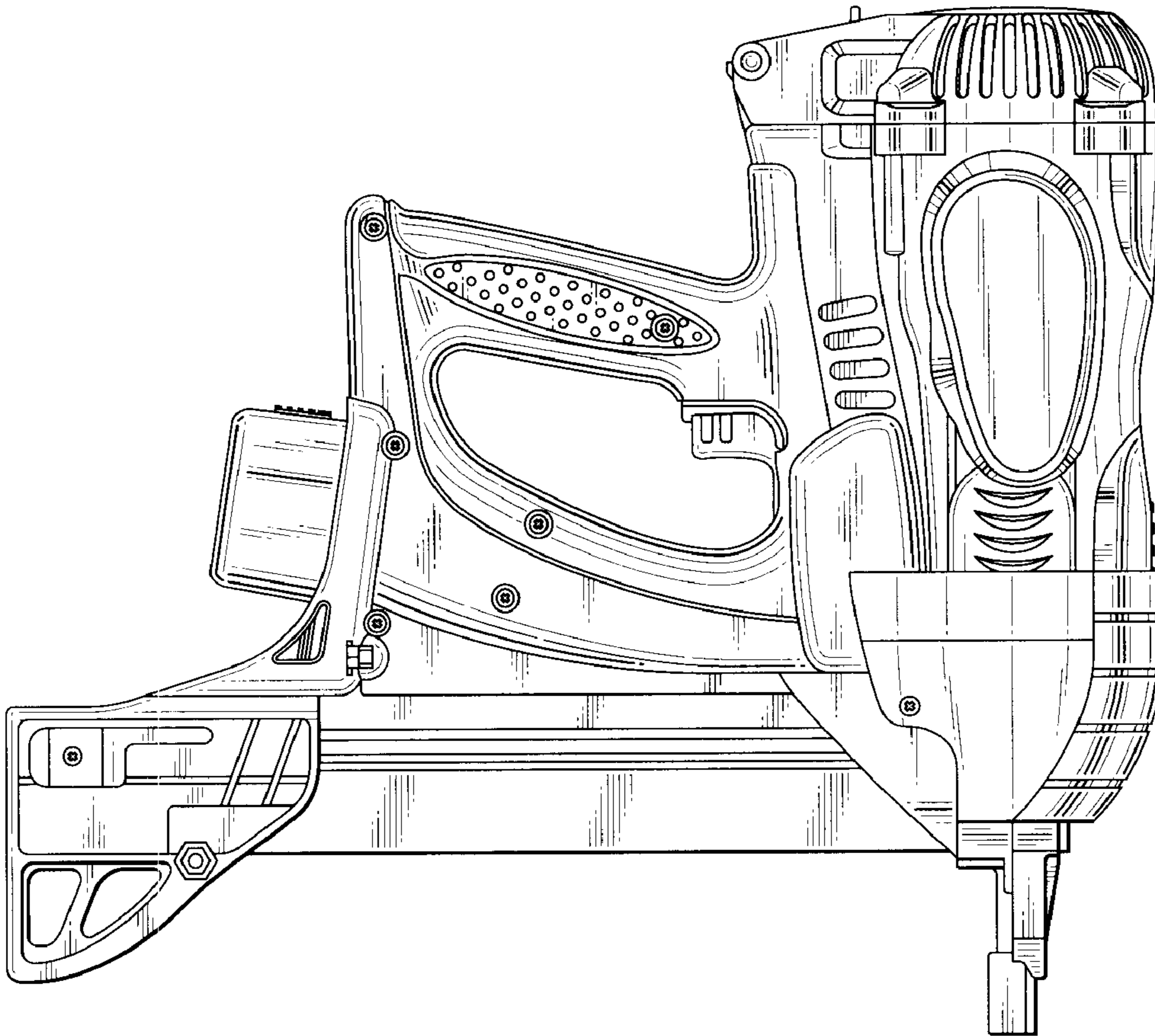


FIG.5

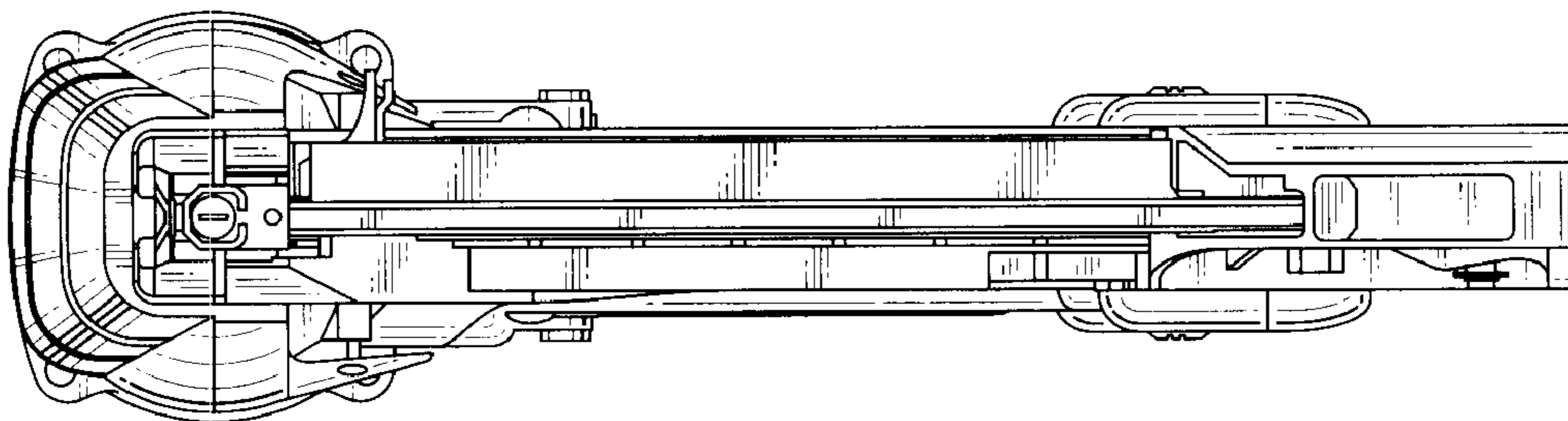


FIG.6

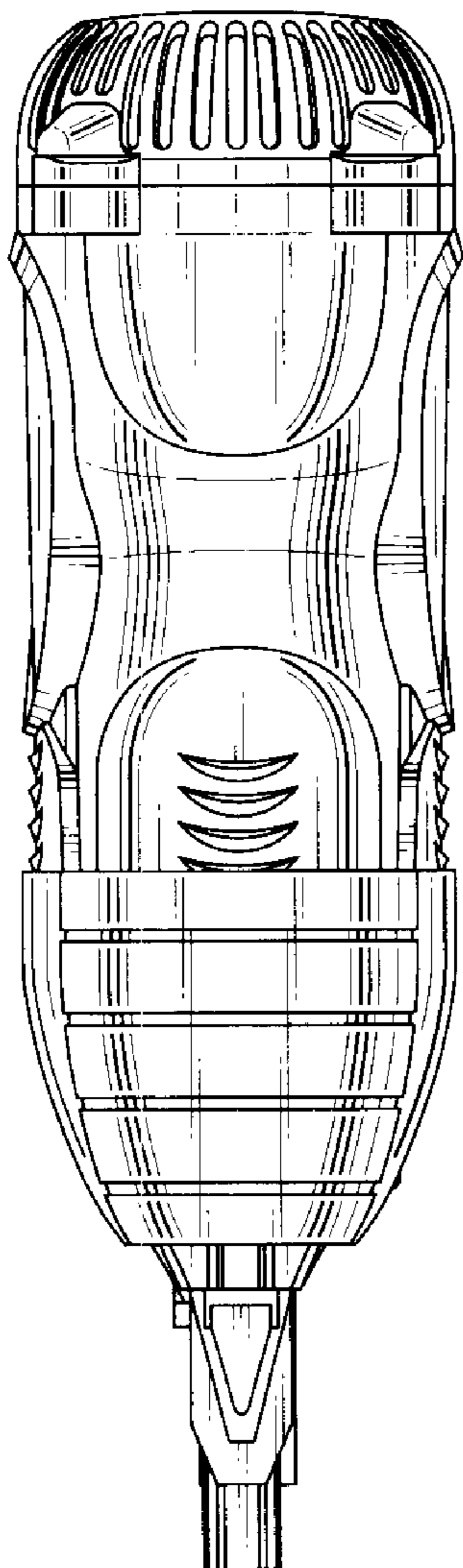


FIG.7

