

US00D526549S

(12) **United States Design Patent**  
**Aglassinger**

(10) **Patent No.:** **US D526,549 S**

(45) **Date of Patent:** **\*\* Aug. 15, 2006**

(54) **SANDER**

(75) **Inventor:** **Hans-Peter Aglassinger**, Esslingen  
(DE)

(73) **Assignee:** **Robert Bosch GmbH**, Stuttgart (DE)

(\*\*) **Term:** **14 Years**

(21) **Appl. No.:** **29/244,665**

(22) **Filed:** **Dec. 13, 2005**

(30) **Foreign Application Priority Data**

Oct. 12, 2005 (DE) ..... 4 05 05 306

(51) **LOC (8) Cl.** ..... **08-01**

(52) **U.S. Cl.** ..... **D8/62**

(58) **Field of Classification Search** ..... D8/67,  
D8/62, 61; D32/15, 17, 19; D4/102; 451/456,  
451/451, 359, 358, 357, 356, 355, 354, 353,  
451/351, 344

See application file for complete search history.

(56) **References Cited**

**U.S. PATENT DOCUMENTS**

D352,437 S \* 11/1994 Chunn et al. .... D8/62  
6,514,131 B1 \* 2/2003 Reich et al. .... 451/344

6,857,948 B1 \* 2/2005 Bocka et al. .... 451/356  
D503,600 S \* 4/2005 Bian ..... D8/62  
D507,731 S \* 7/2005 Robson ..... D8/62  
D509,722 S \* 9/2005 Wikle et al. .... D8/62  
2002/0037691 A1 \* 3/2002 Mayr et al. .... 451/356  
2004/0002296 A1 \* 1/2004 Reich et al. .... 451/357  
2005/0085172 A1 \* 4/2005 Gansel et al. .... 451/356

\* cited by examiner

*Primary Examiner*—Cathron C. Brooks

*Assistant Examiner*—Austin Murphy

(74) *Attorney, Agent, or Firm*—Michael J. Striker

(57) **CLAIM**

The ornamental design for a sander, as shown and described.

**DESCRIPTION**

FIG. 1 is a bottom and side perspective view of a sander showing my new design;

FIG. 2 is a side view thereof;

FIG. 3 is a bottom view thereof;

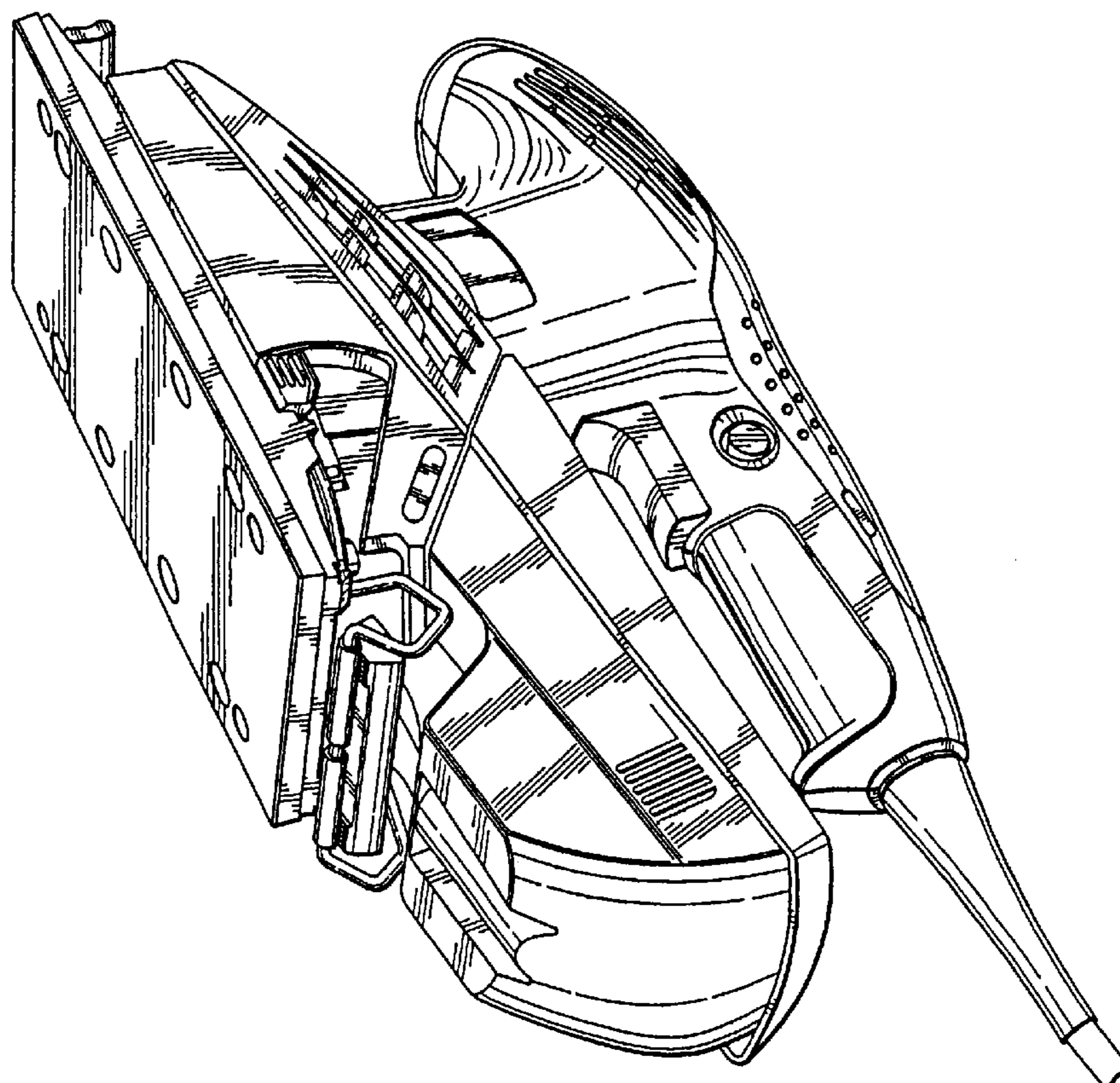
FIG. 4 is the opposite side view of FIG. 2 thereof;

FIG. 5 is a top view thereof;

FIG. 6 is a front view thereof; and,

FIG. 7 is a rear view thereof.

**1 Claim, 7 Drawing Sheets**



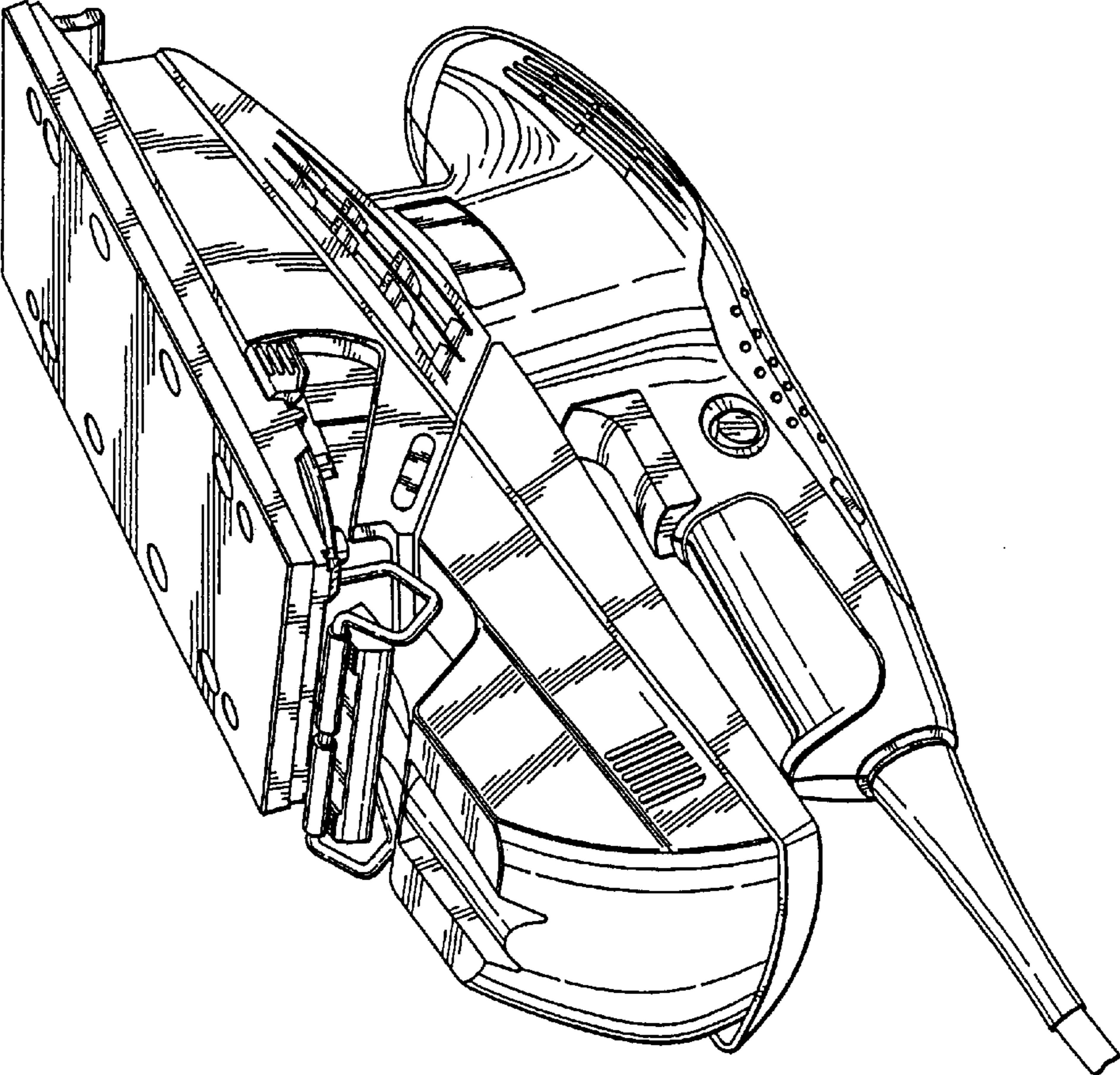


FIG. 1

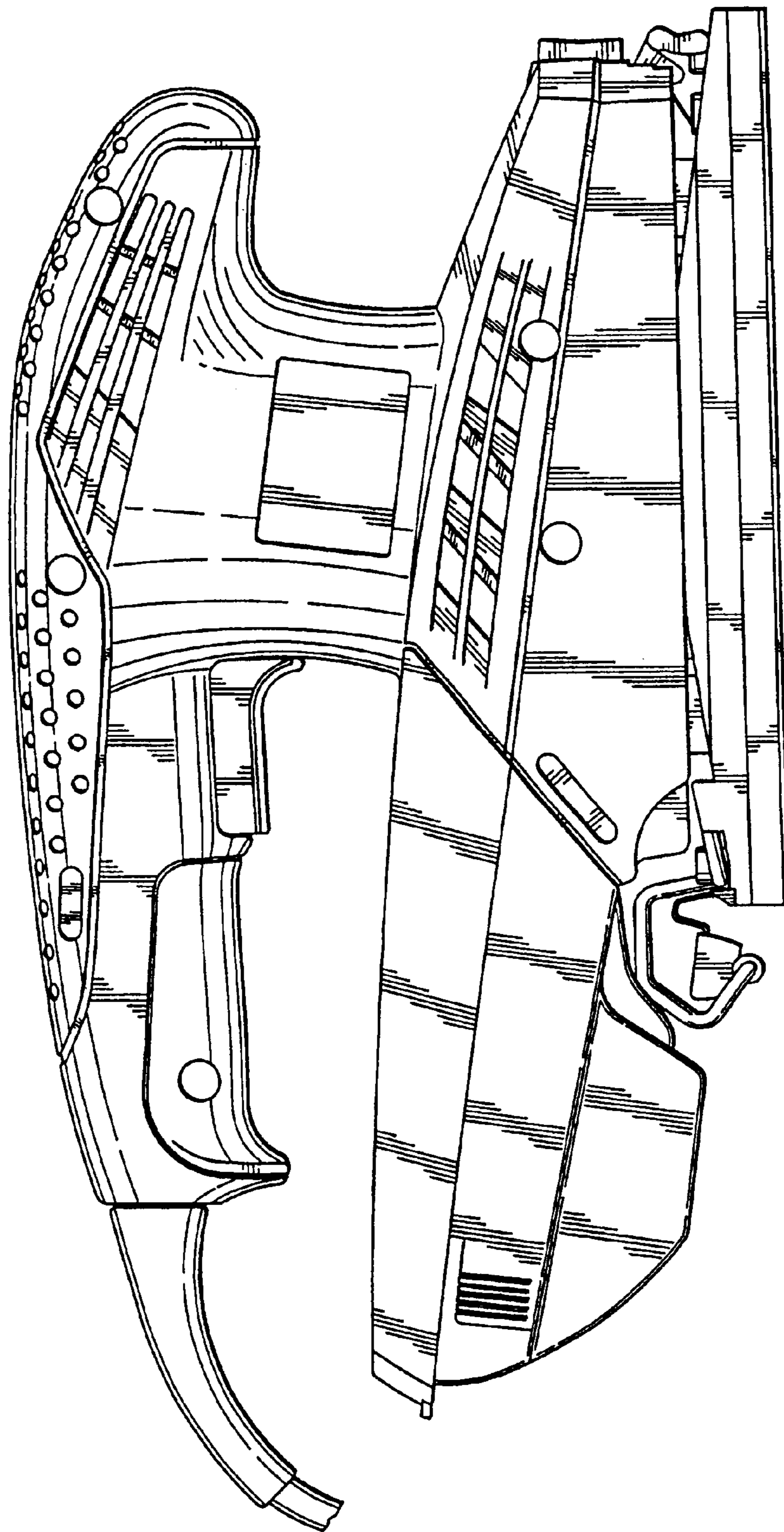


FIG. 2



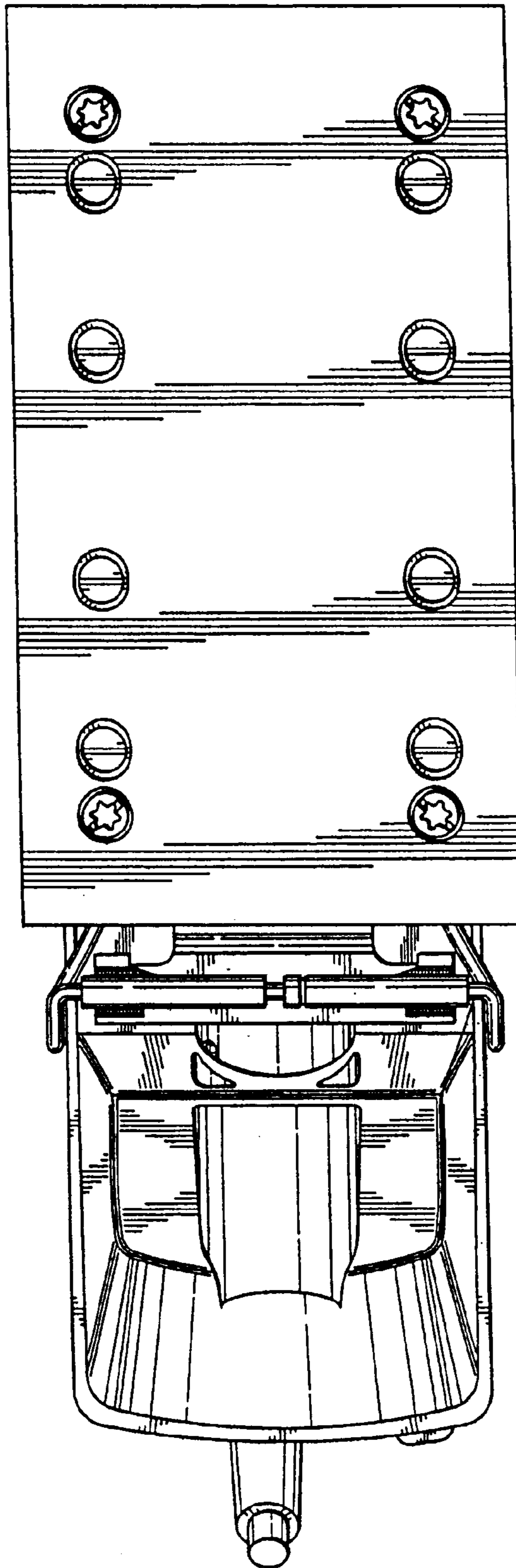


FIG. 3

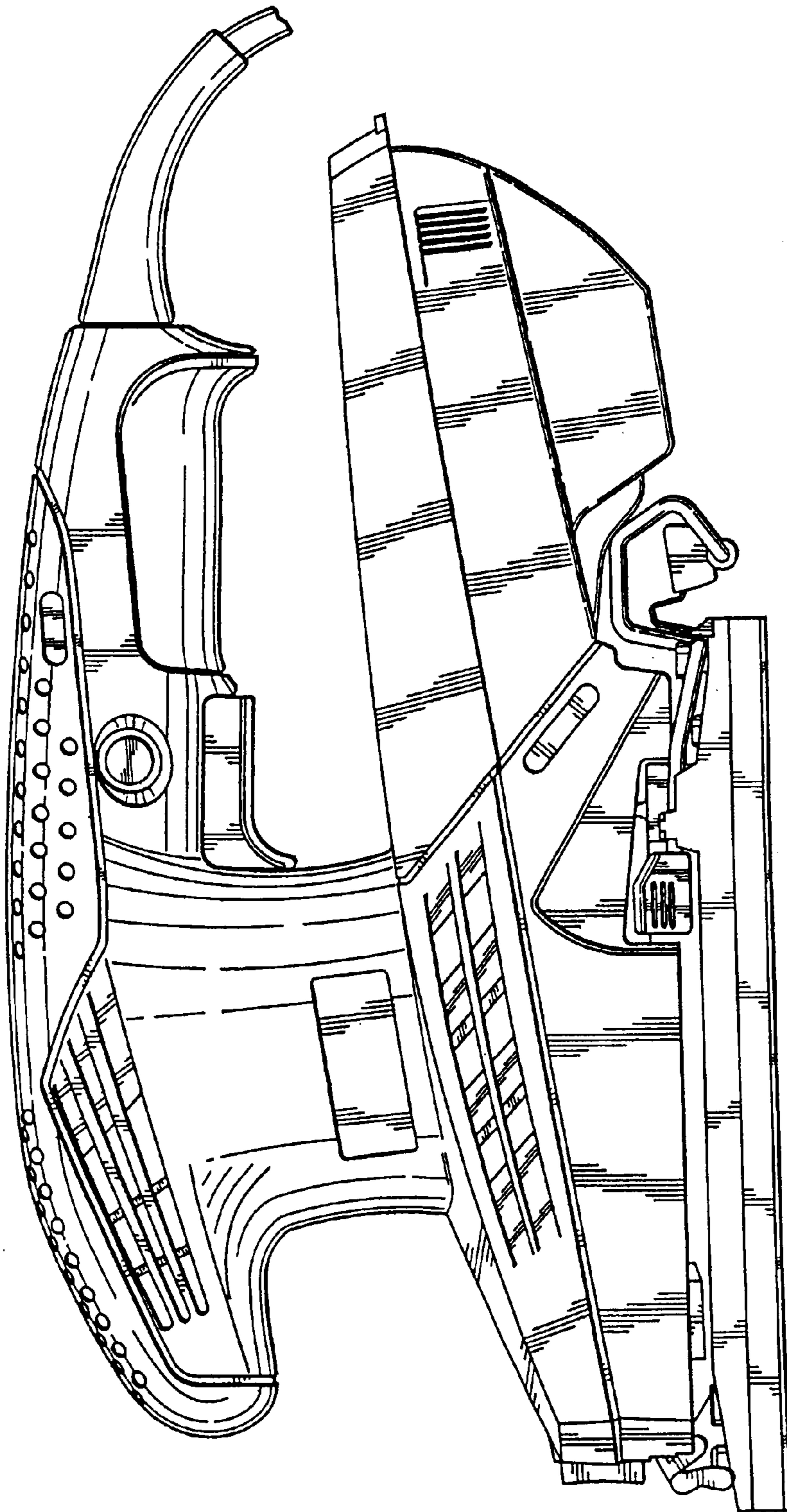


FIG.4

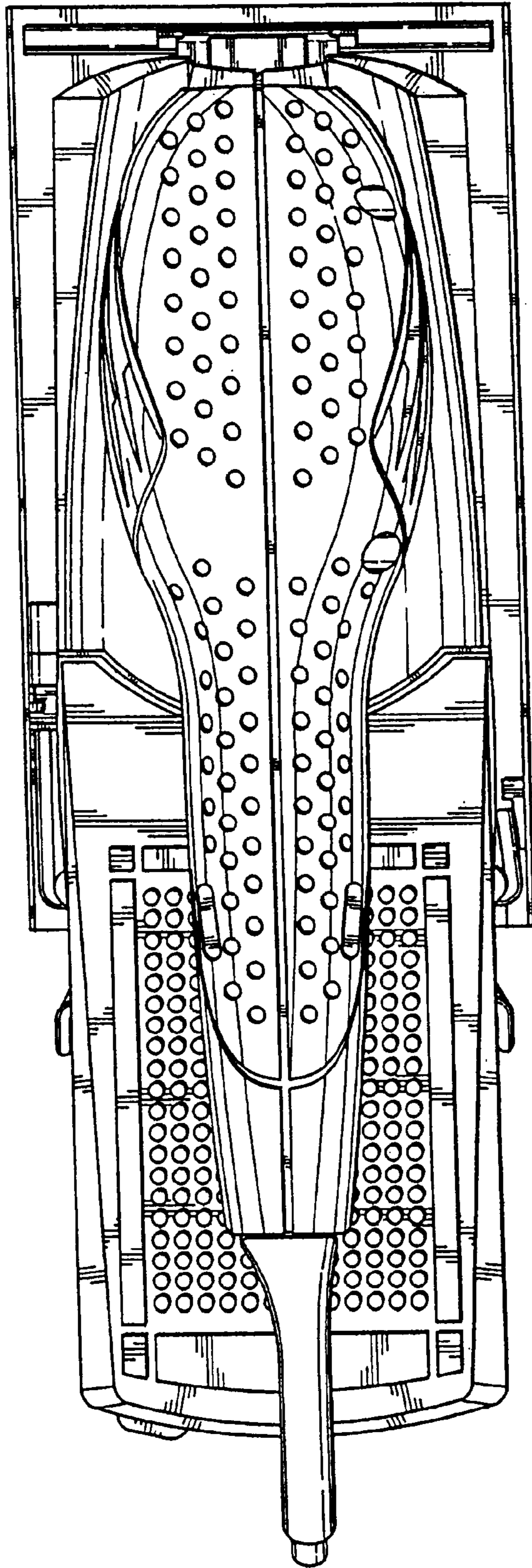
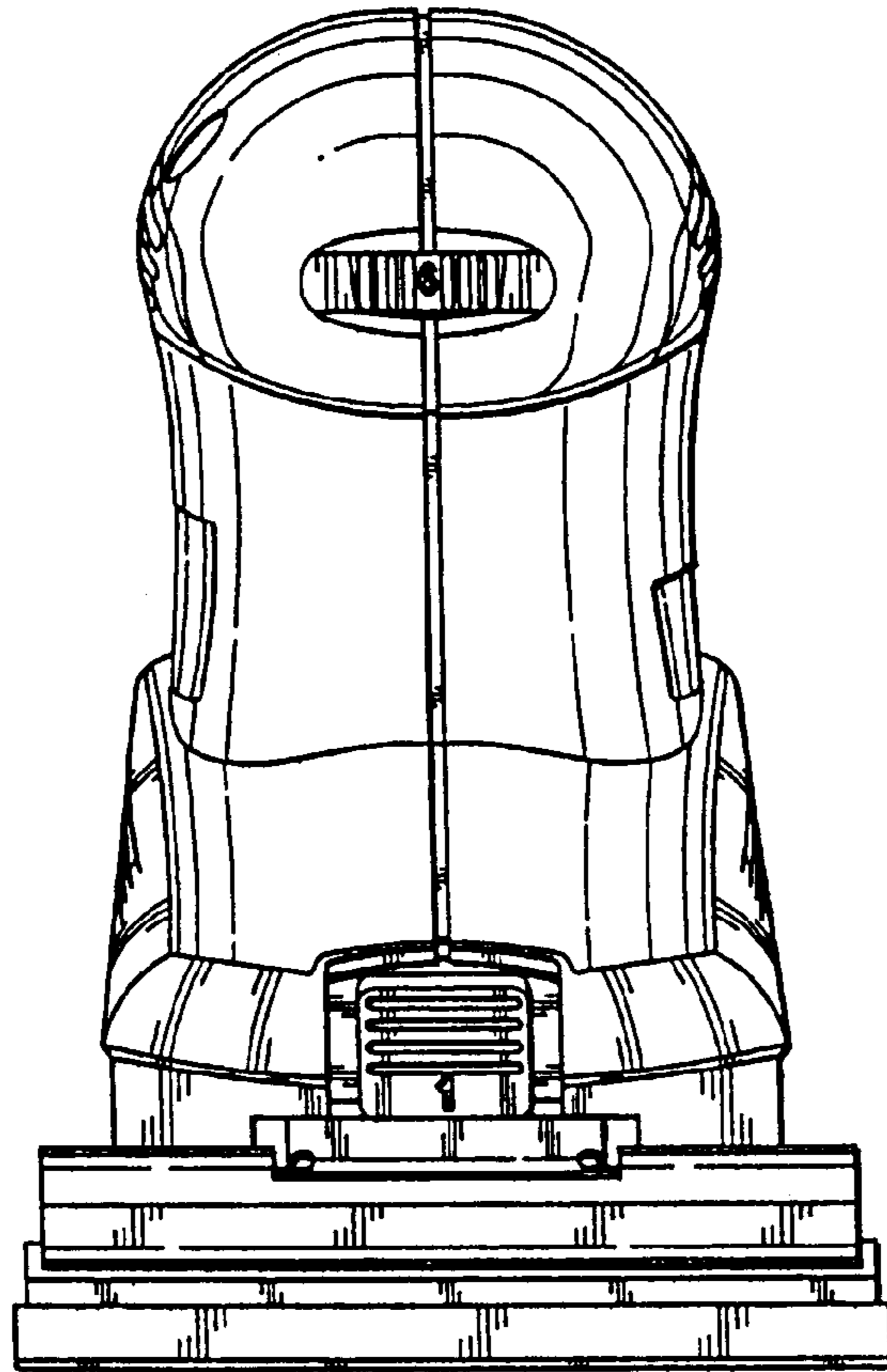
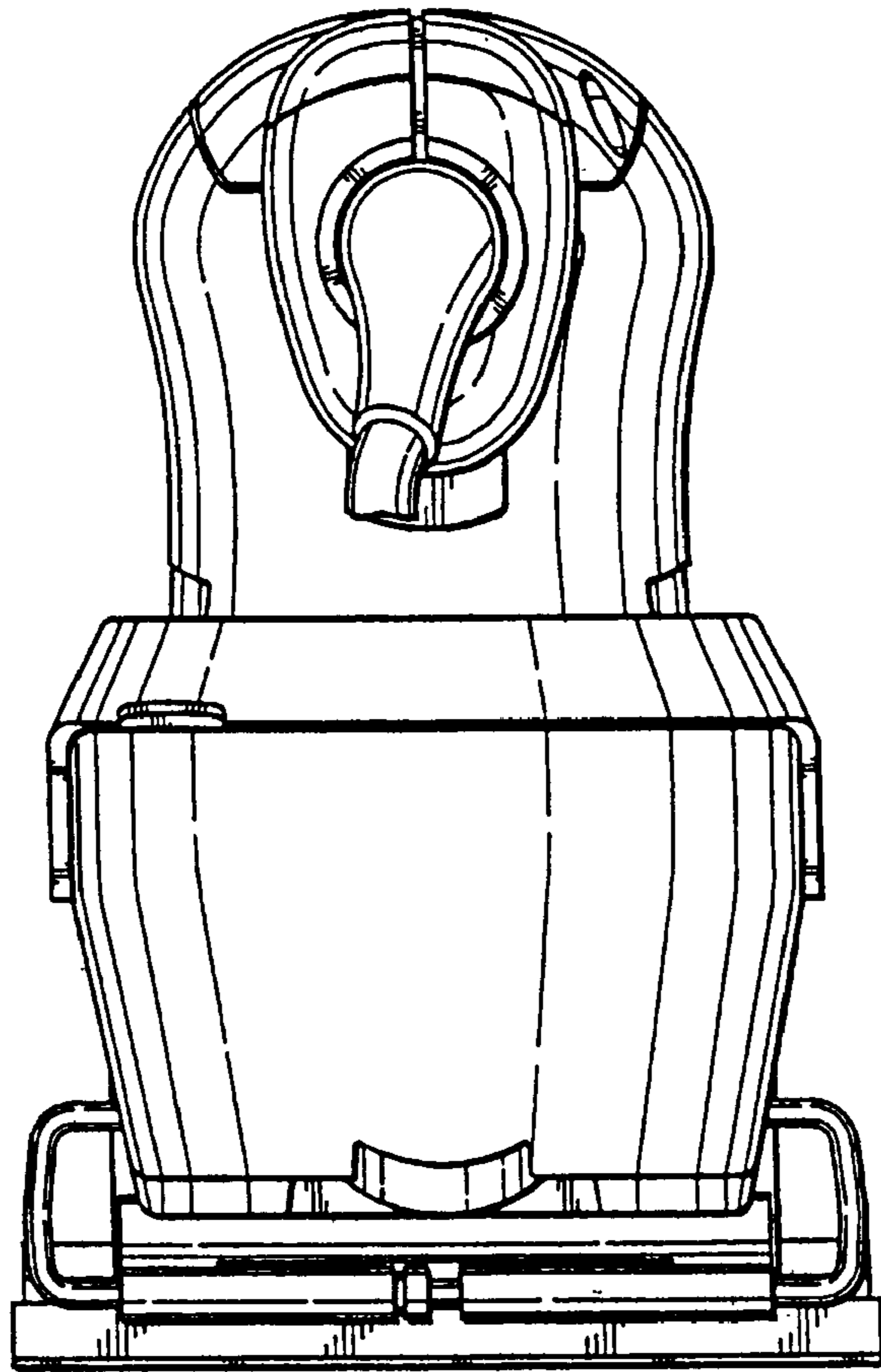


FIG. 5



*FIG. 6*



*FIG. 7*