

US00D526546S

(12) **United States Design Patent**  
**Jirele et al.**

(10) **Patent No.:** **US D526,546 S**

(45) **Date of Patent:** **\*\* Aug. 15, 2006**

(54) **SPARK PLUG SOCKET**

(75) Inventors: **James E. Jirele**, Owatonna, MN (US);  
**Dennis Hanson**, Medford, MN (US)

(73) Assignee: **SPX Corporation**, Charlotte, NC (US)

(\*\*) Term: **14 Years**

(21) Appl. No.: **29/210,346**

(22) Filed: **Jul. 30, 2004**

(51) **LOC (8) Cl.** ..... **08-05**

(52) **U.S. Cl.** ..... **D8/29**

(58) **Field of Classification Search** ..... D8/21-29;  
81/121.1, 177.2, 177.85, 177, 124.3, 124.7  
See application file for complete search history.

(56) **References Cited**

U.S. PATENT DOCUMENTS

4,004,476	A	*	1/1977	DeVrou	.....	81/177.2
D319,562	S	*	9/1991	Ballard	.....	D8/29
5,123,313	A	*	6/1992	Andersson	.....	81/477
D353,756	S	*	12/1994	Graves	.....	D8/29
5,568,757	A	*	10/1996	Lewis	.....	81/177.2

D379,420	S	*	5/1997	Standlee et al.	.....	D8/70
D397,598	S	*	9/1998	Falk	.....	D8/29
D414,391	S	*	9/1999	Stagmo	.....	D8/29
D446,111	S	*	8/2001	Hussaini	.....	D8/397

\* cited by examiner

*Primary Examiner*—Raphael Barkai

*Assistant Examiner*—Randall H. Gholson

(74) *Attorney, Agent, or Firm*—Baker & Hostetler LLP

(57) **CLAIM**

The ornamental design for a spark plug socket, as shown and described.

**DESCRIPTION**

FIG. 1 is a front perspective view;

FIG. 2 is a rear perspective view;

FIG. 3 is a side view;

FIG. 4 is a front view; and,

FIG. 5 is a rear view.

The broken line showing of the interior of the spark plug socket is for illustrative purposes only and forms no part of the claimed design.

**1 Claim, 2 Drawing Sheets**

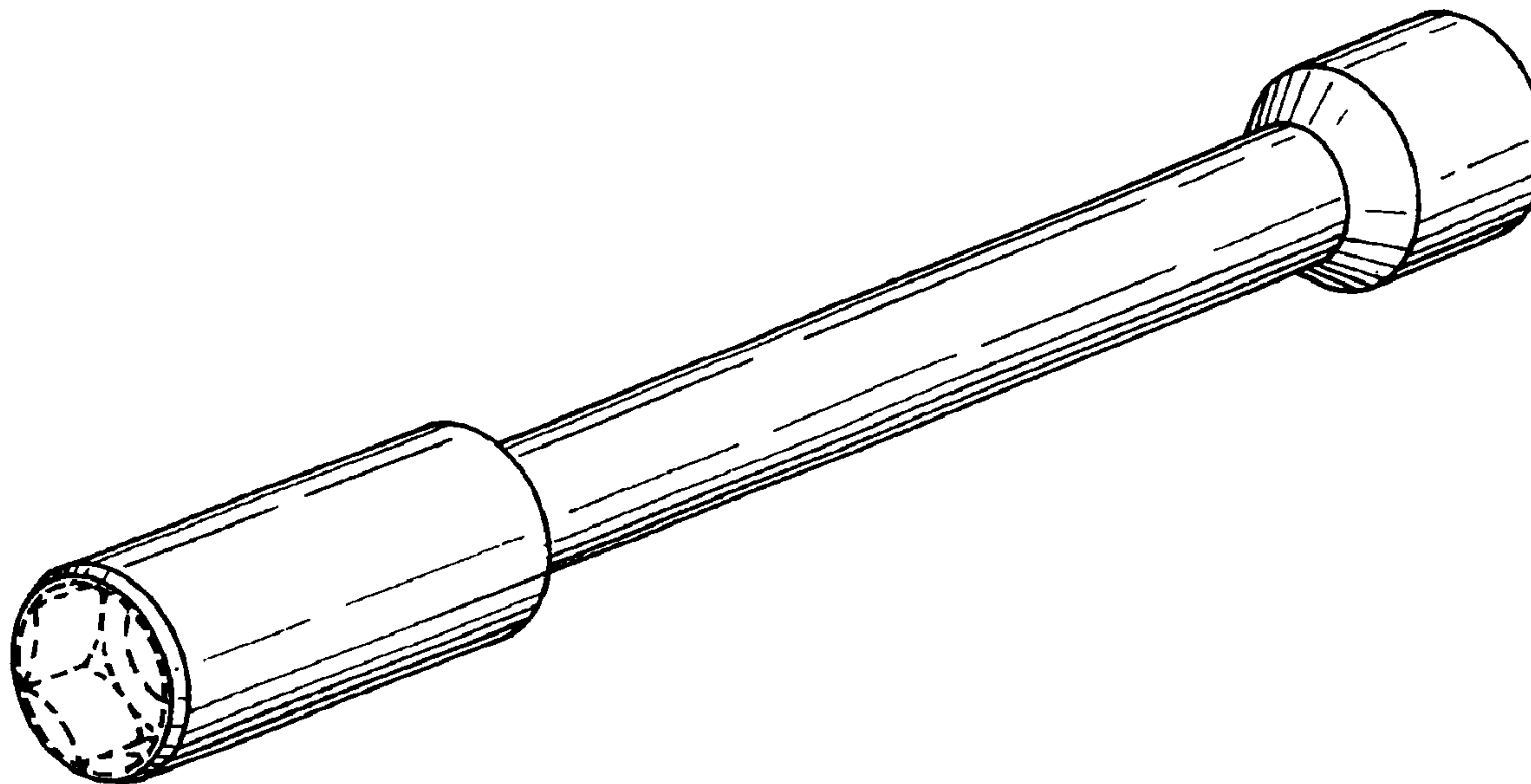


FIG. 1

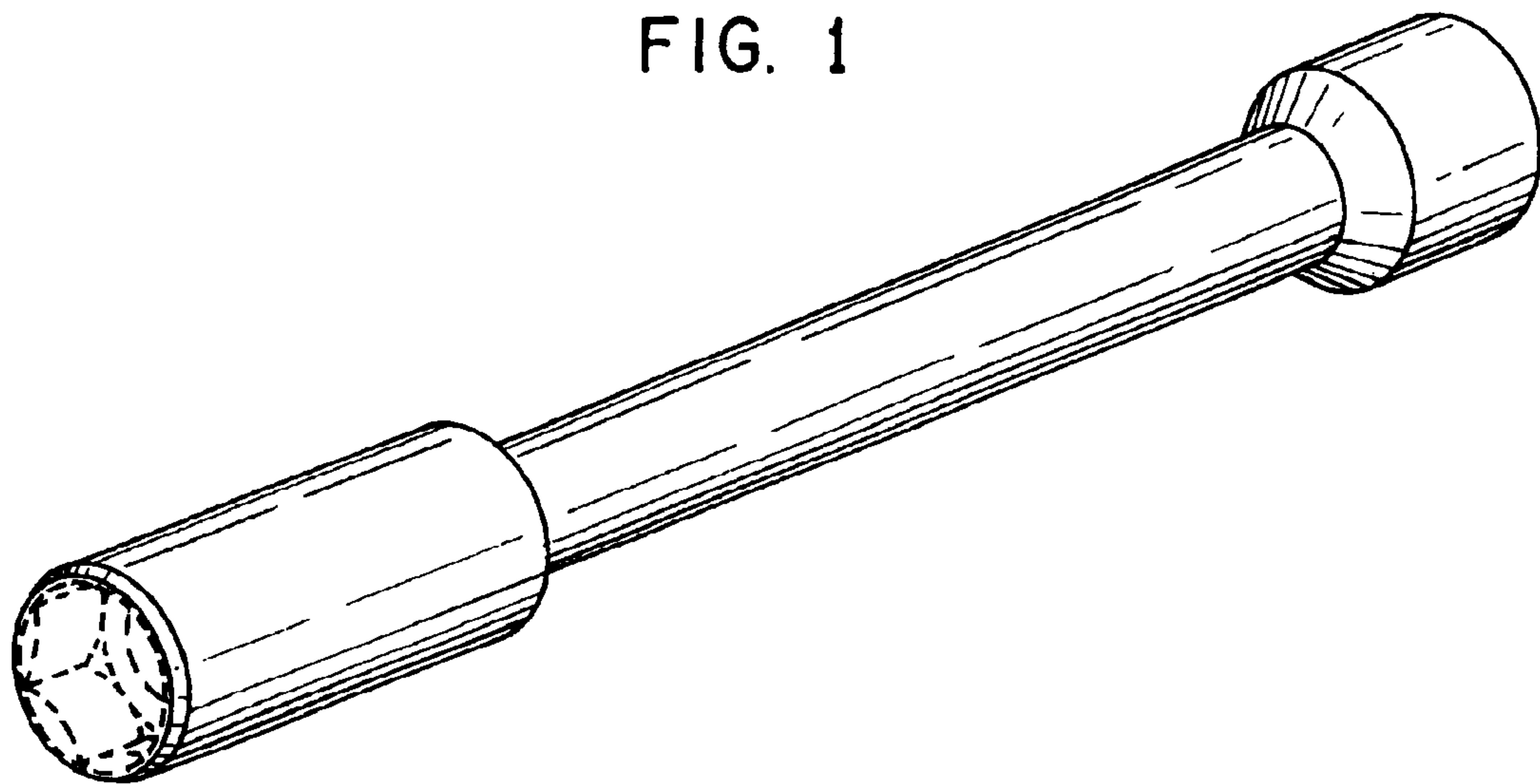


FIG. 2

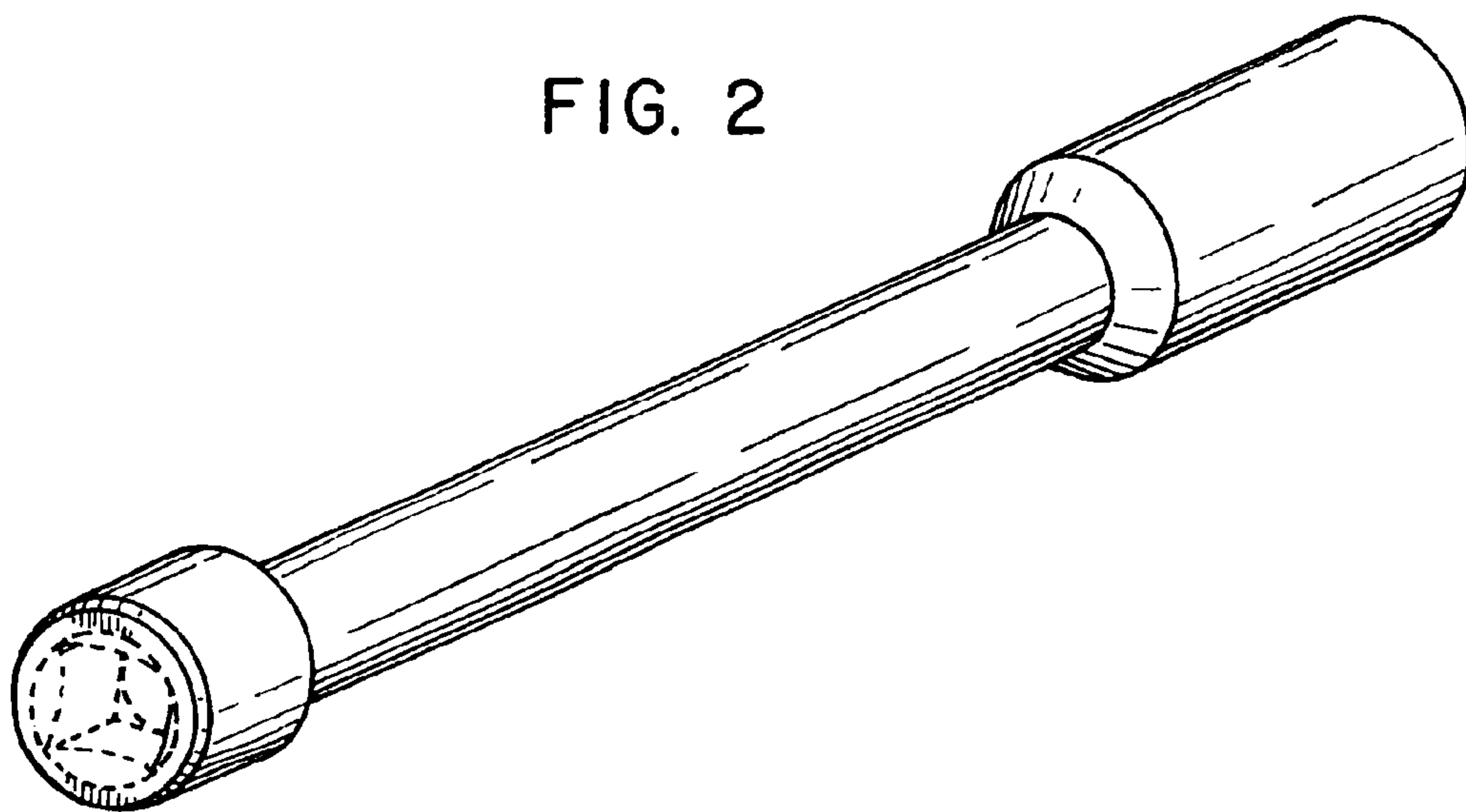


FIG. 3

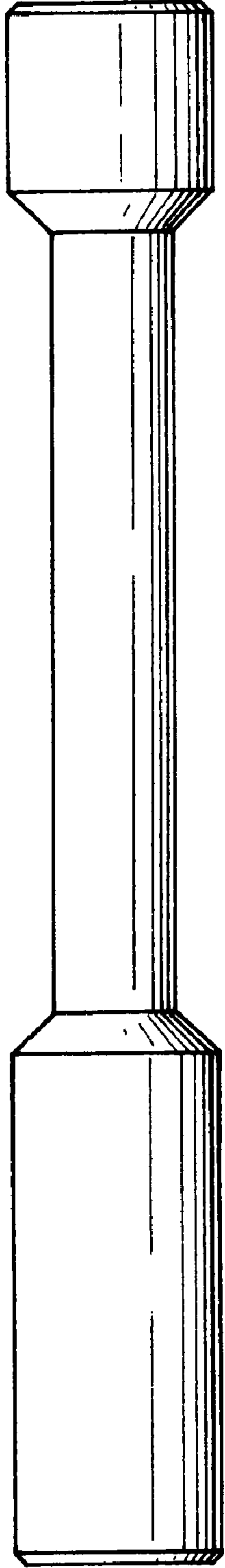


FIG. 4

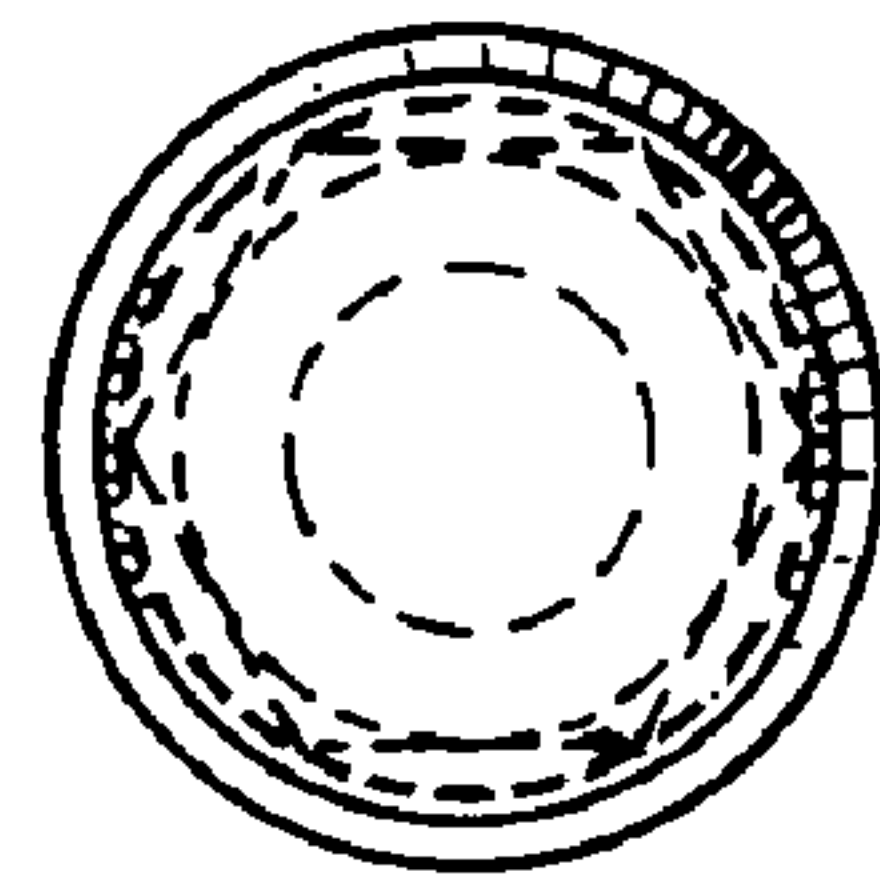


FIG. 5

