

US00D526544S

(12) **United States Design Patent**  
**Settele**

(10) **Patent No.:** **US D526,544 S**

(45) **Date of Patent:** **\*\* Aug. 15, 2006**

(54) **CORN SCRAPER**

(75) Inventor: **Ignaz Settele**, Kaufbeuren (DE)

(73) Assignee: **Maxpat Trading & Marketing (Far East) Limited**, Tsimshatsui (HK)

(\*\*) Term: **14 Years**

(21) Appl. No.: **29/236,205**

(22) Filed: **Aug. 12, 2005**

(30) **Foreign Application Priority Data**

Jun. 24, 2005 (EM) ..... 000365721

(51) **LOC (8) Cl.** ..... **07-04**

(52) **U.S. Cl.** ..... **D7/693**

(58) **Field of Classification Search** ..... D7/680-696,  
D7/393, 395; D8/47, 48; 30/121.5, 149, 123.7;  
99/567, 568, 588, 600

See application file for complete search history.

(56) **References Cited**

**U.S. PATENT DOCUMENTS**

1,345,456 A \* 7/1920 Olcott ..... 30/121.5  
2,040,458 A \* 5/1936 Bacon ..... 30/121.5

2,251,842 A \* 8/1941 Hill ..... 30/149  
3,176,390 A \* 4/1965 Robinson ..... 30/123.7  
D353,976 S \* 1/1995 Perkins ..... D7/693  
D364,015 S \* 11/1995 Stoltzfus ..... D8/45

\* cited by examiner

*Primary Examiner*—Terry A. Wallace

(74) *Attorney, Agent, or Firm*—Smith-Hill and Bedell

(57) **CLAIM**

The ornamental design for a “corn scraper,” as shown and described.

**DESCRIPTION**

FIG. 1 is a front perspective view of a “corn scraper” showing my new design;

FIG. 2 is a perspective view in alternative configuration thereof;

FIG. 3 is a top view thereof;

FIG. 4 is a bottom view thereof;

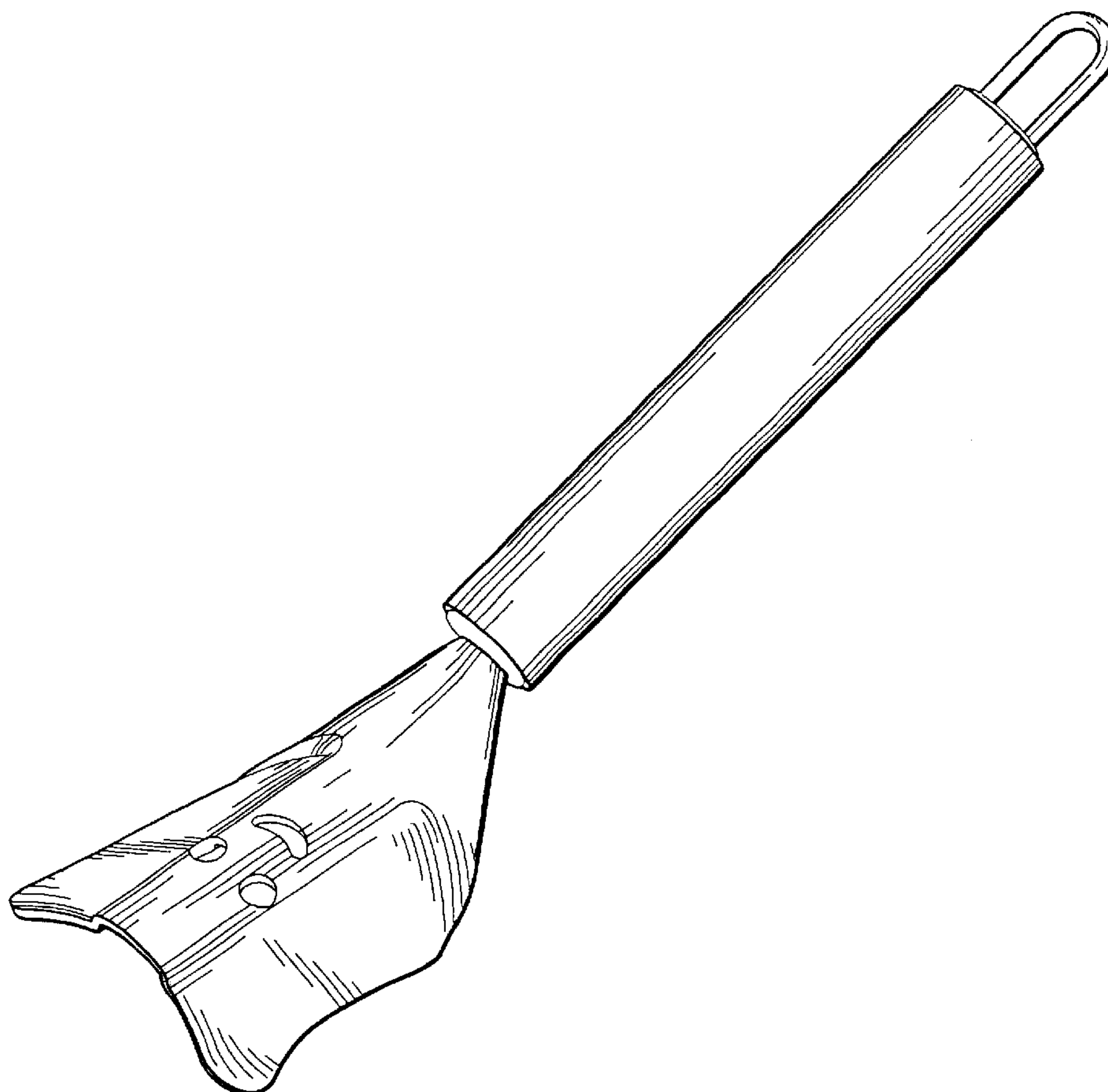
FIG. 5 is a side view thereof;

FIG. 6 is an opposite side view thereof;

FIG. 7 is a front view thereof; and,

FIG. 8 is a rear view thereof.

**1 Claim, 8 Drawing Sheets**



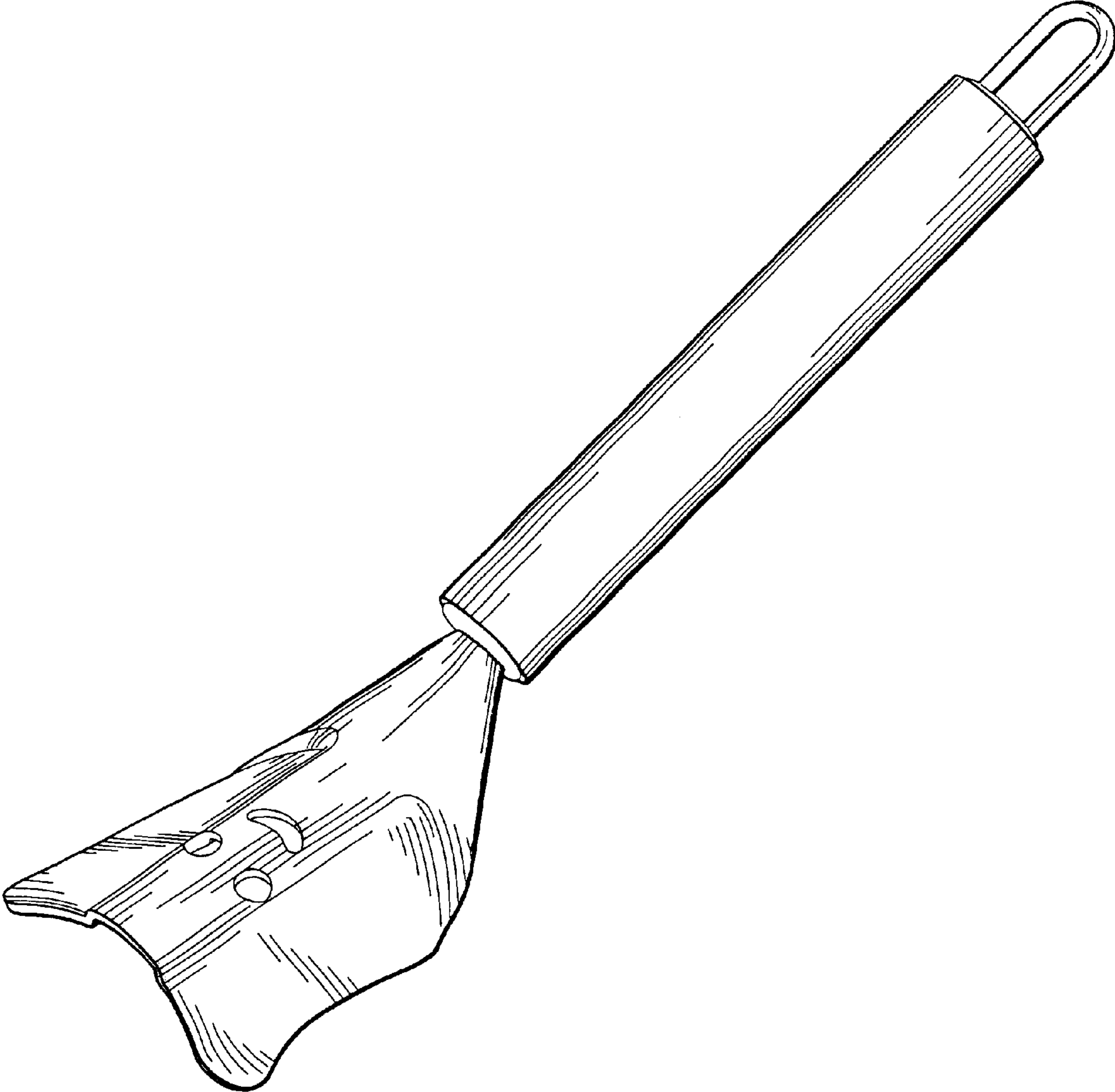


FIG. 1

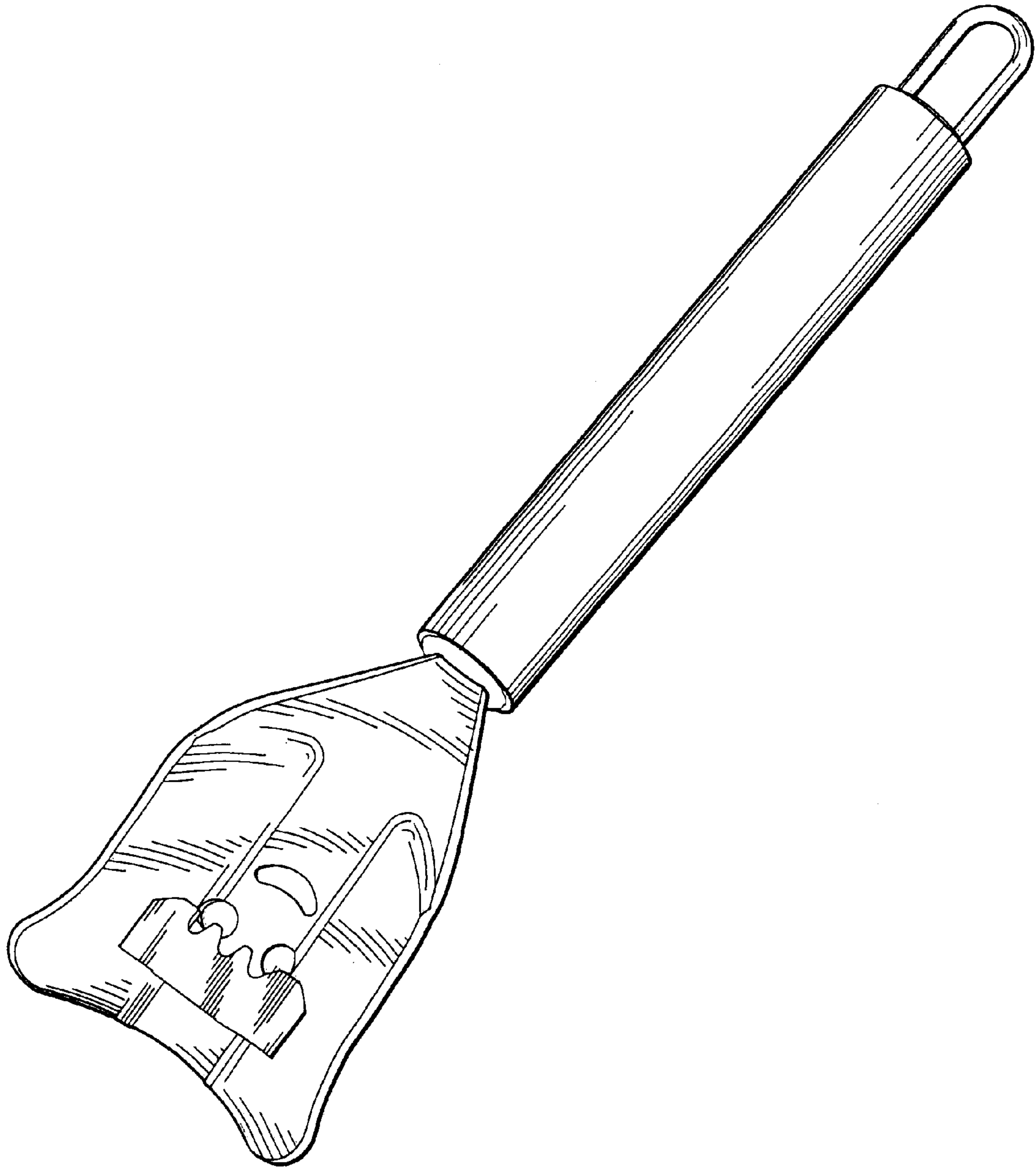


FIG. 2

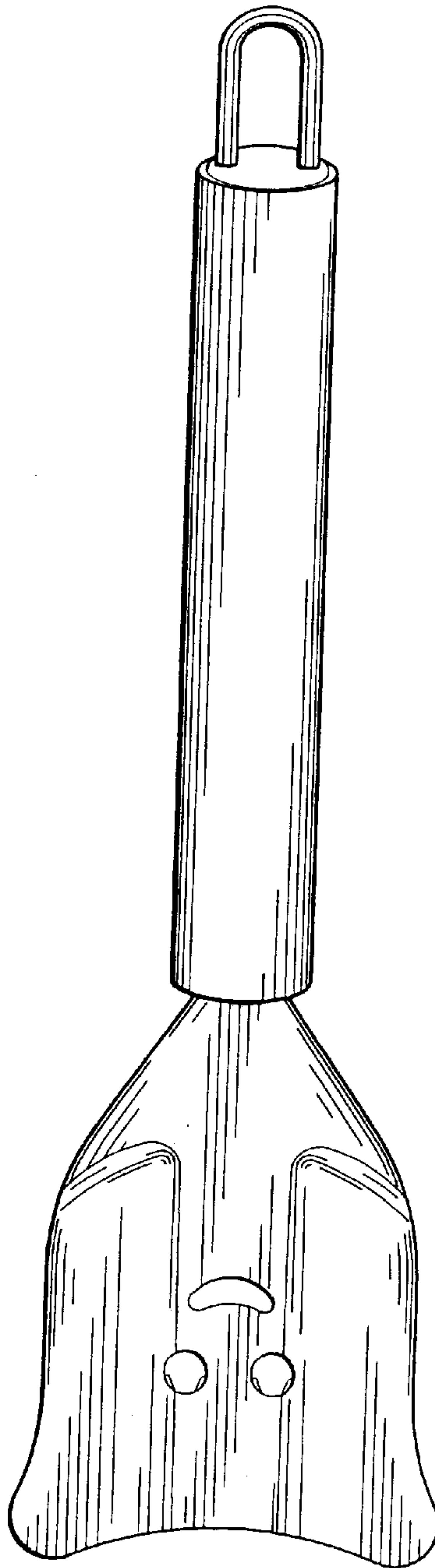


FIG. 3

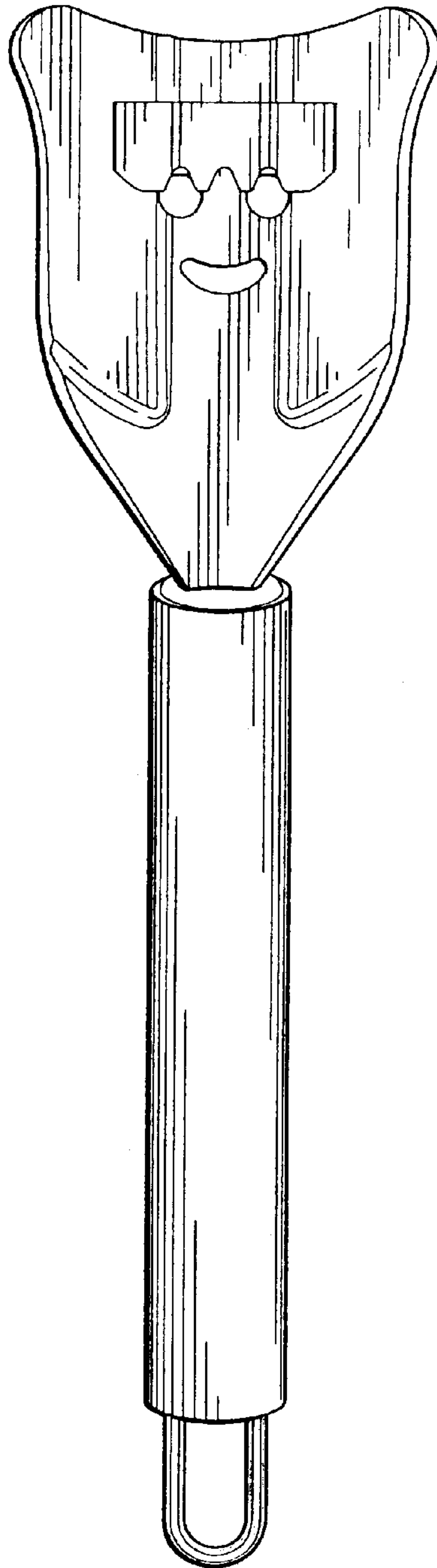


FIG. 4

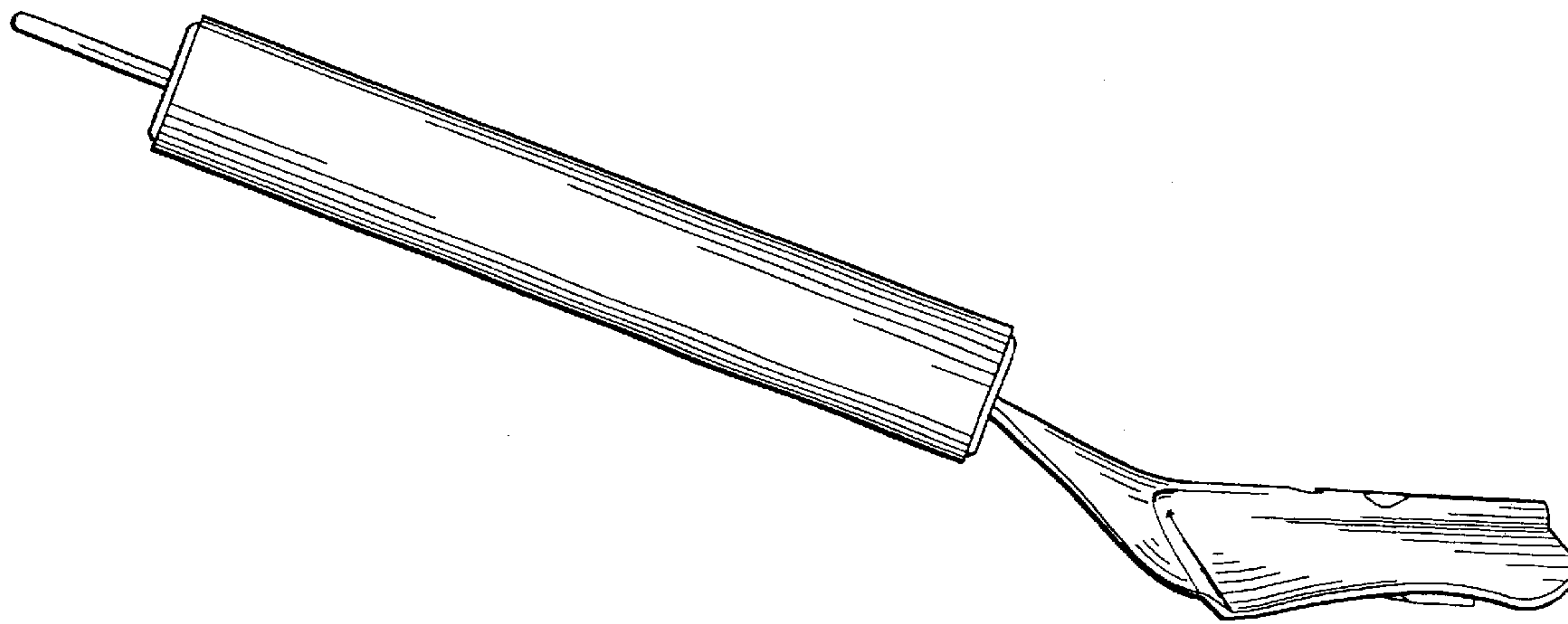


FIG. 5

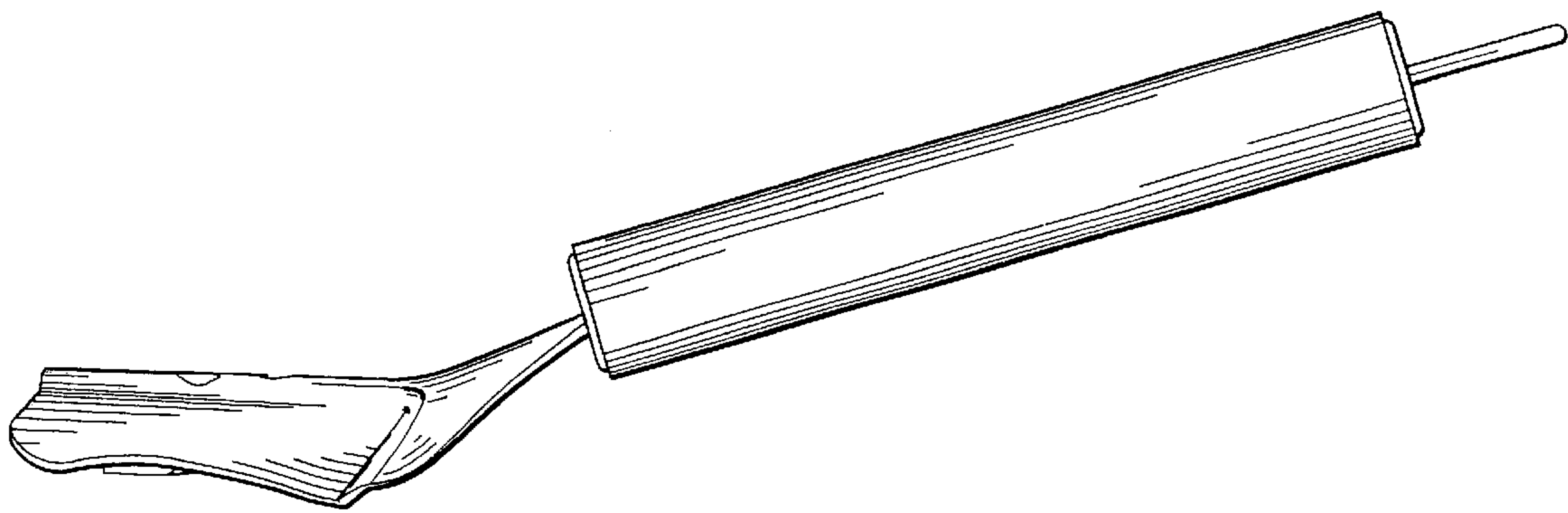
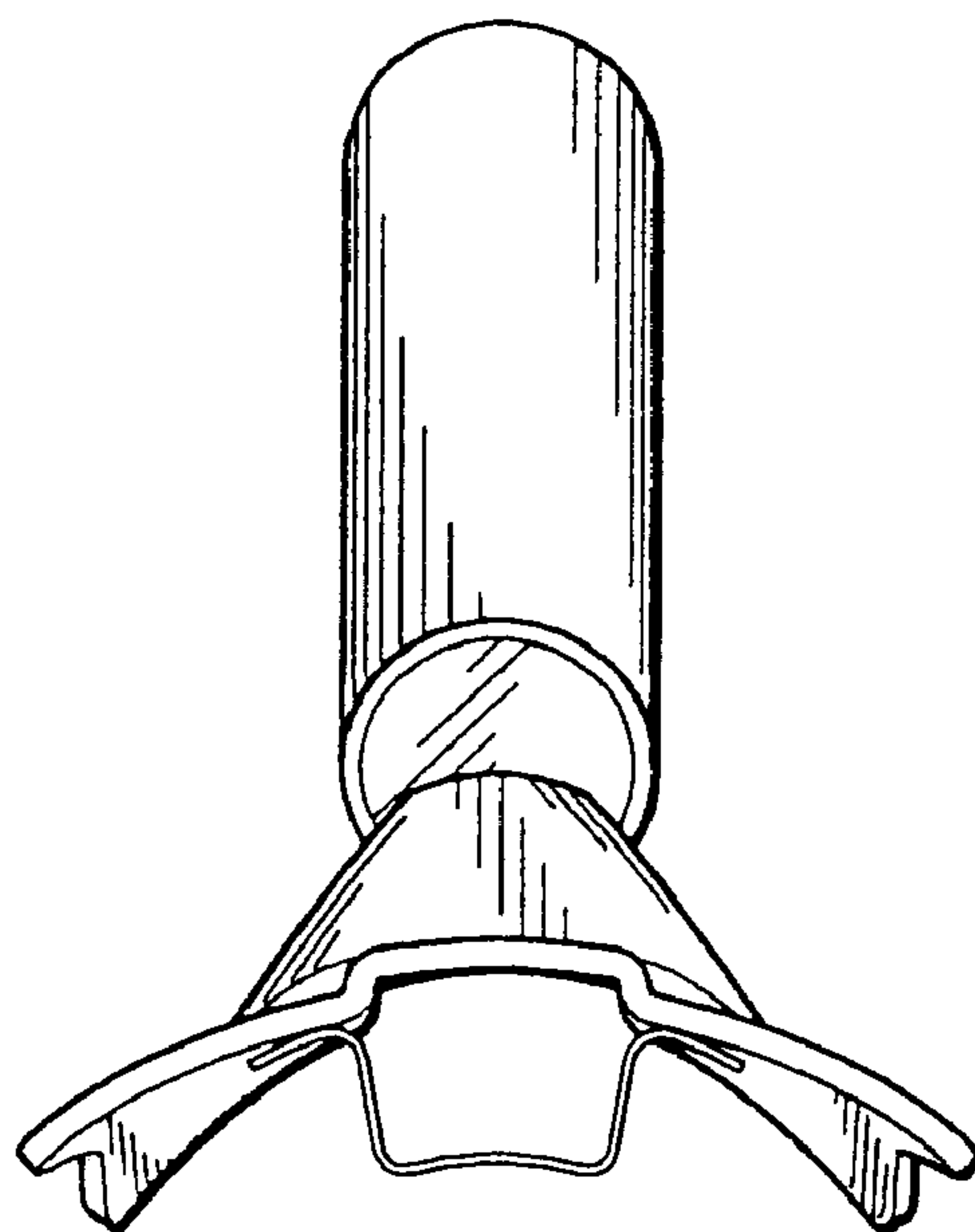


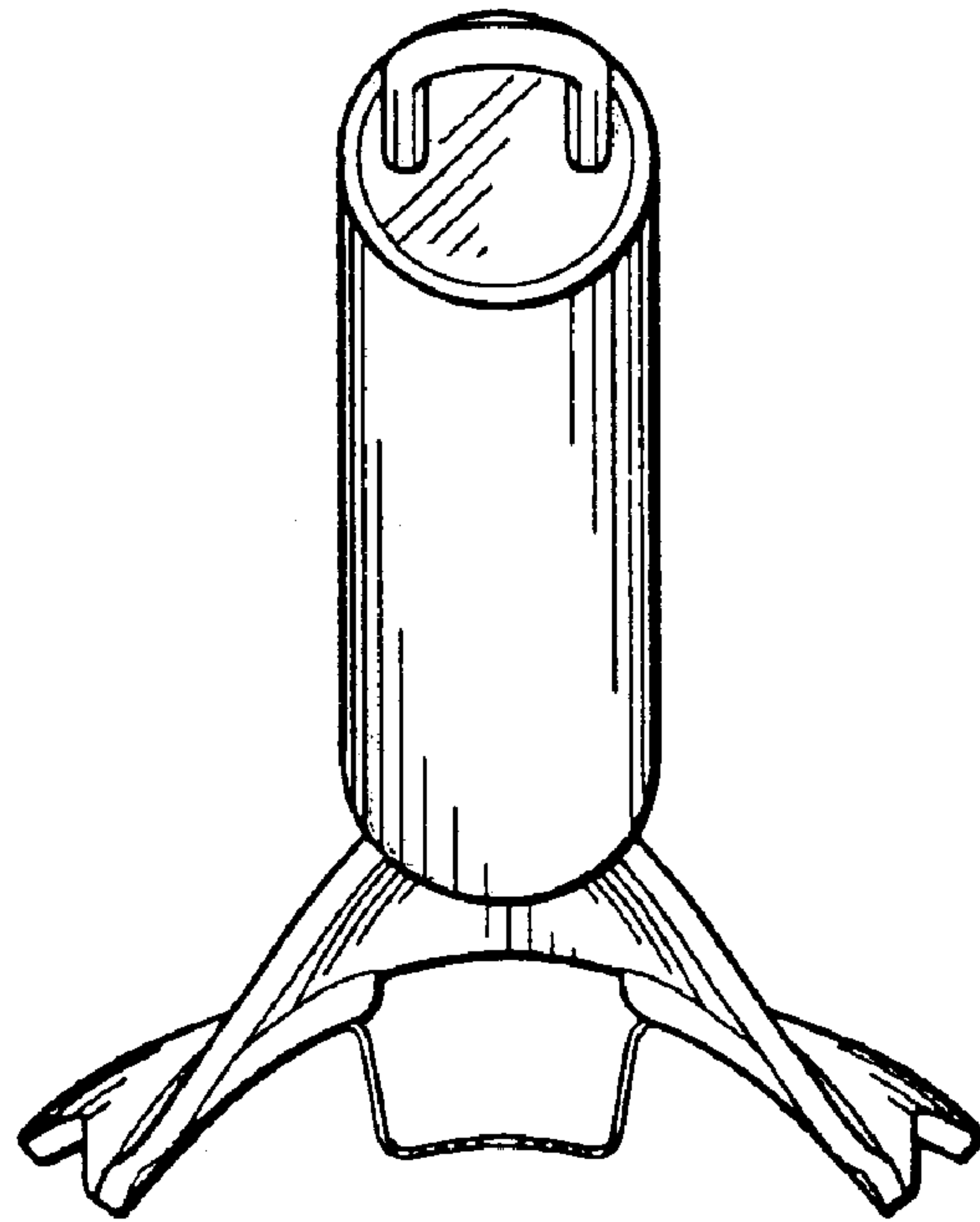
FIG. 6





**FIG. 7**





**FIG. 8**