



US00D526543S

(12) **United States Design Patent**
Mullen

(10) **Patent No.:** **US D526,543 S**

(45) **Date of Patent:** **** Aug. 15, 2006**

(54) **DUAL SPATULA WITH WIDE THONGS**

5,123,689 A 6/1992 Fields
D392,851 S * 3/1998 Zeller D7/692
D396,389 S 7/1998 Durbon

(76) Inventor: **Patrick Mullen**, 929 Vermillion St.,
Gary, IN (US) 46403

* cited by examiner

(**) Term: **14 Years**

Primary Examiner—Terry A. Wallace

(21) Appl. No.: **29/215,630**

(74) *Attorney, Agent, or Firm*—Thomas J. Schab

(22) Filed: **Oct. 21, 2004**

(57) **CLAIM**

(51) **LOC (8) Cl.** **07-06**

The ornamental design for a dual spatula with wide thongs,
as shown and described.

(52) **U.S. Cl.** **D7/686**

(58) **Field of Classification Search** D7/680–696,
D7/393, 395; 30/325, 327, 136, 169; 294/7,
294/8, 26.5, 50, 99.2

DESCRIPTION

See application file for complete search history.

FIG. 1 is a top view of the dual spatula with wide thongs, the
bottom view being a mirror image of the top view;
FIG. 2 is a side elevational view of the dual spatula with
wide thongs;
FIG. 3 is an exploded perspective view of the dual spatula
with wide thongs;
FIG. 4 is a top view of only one of the spatula arms
comprising the dual spatula with wide thongs shown in FIG.
3; and,
FIG. 5 is a bottom view of the same spatula arm shown in
FIG. 4.

(56) **References Cited**

U.S. PATENT DOCUMENTS

2,573,922 A	*	11/1951	Meyer	294/7
D236,678 S	*	9/1975	Rader	D7/687
4,002,365 A	*	1/1977	Rader	294/8
D289,962 S		5/1987	Augustino		
D298,398 S	*	11/1988	Trahar	D7/687
4,904,009 A	*	2/1990	Kozlinski	294/7
D313,537 S	*	1/1991	Chisholm	D7/686

1 Claim, 2 Drawing Sheets

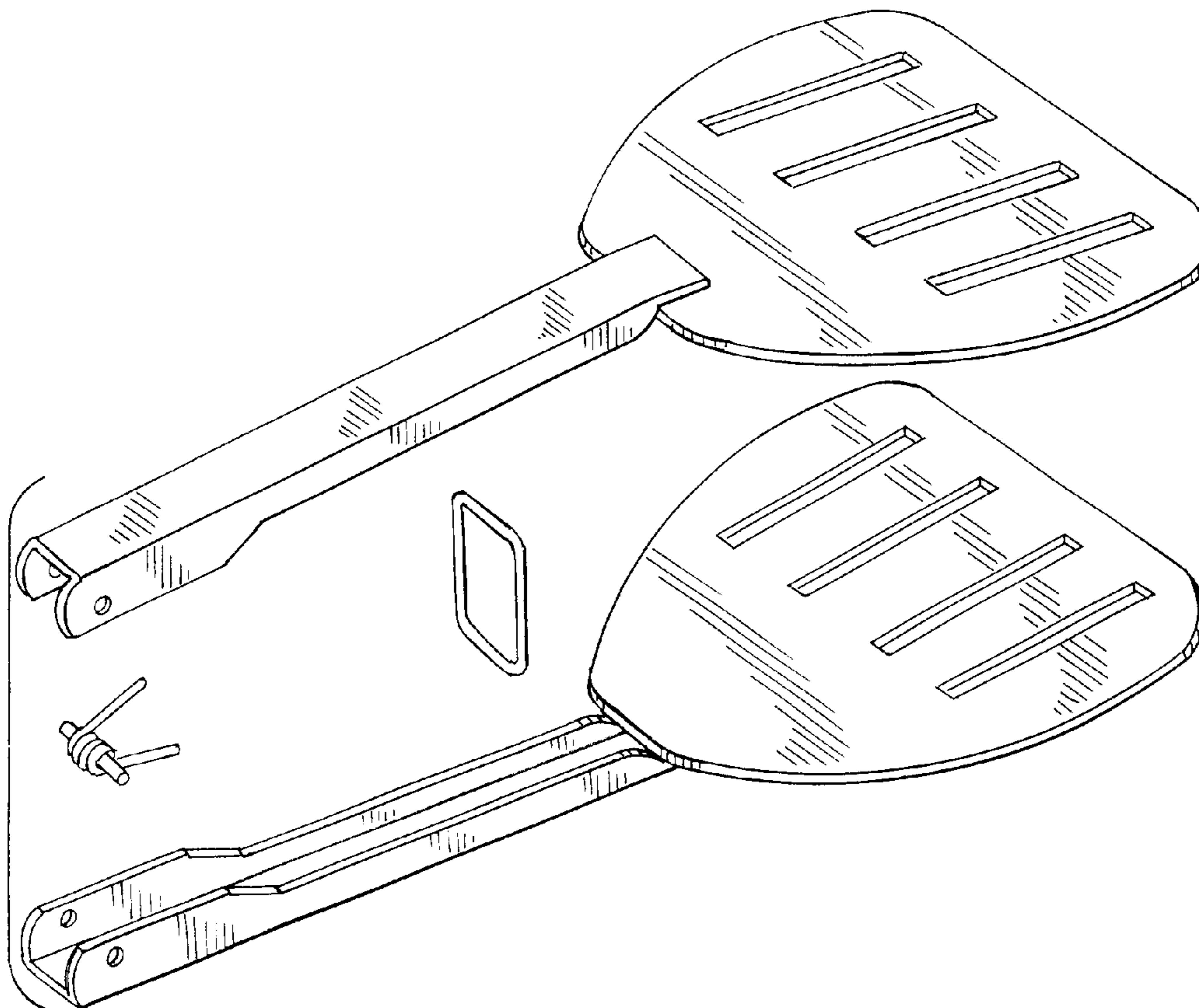


FIG. 1

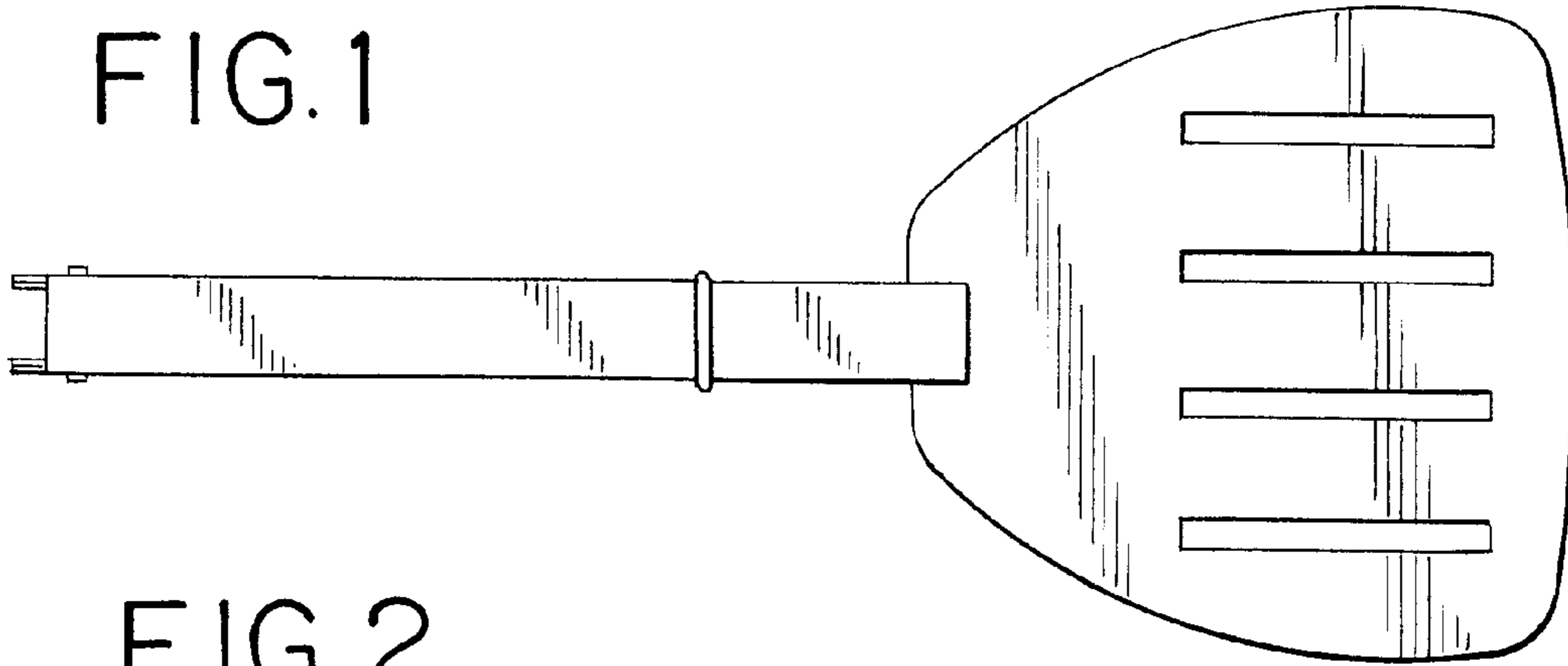


FIG. 2

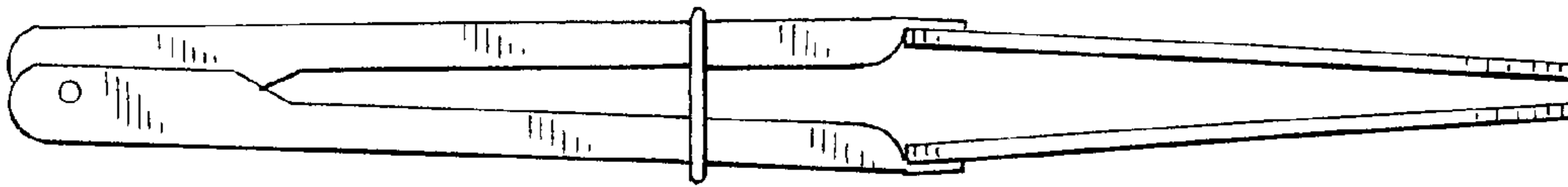


FIG. 3

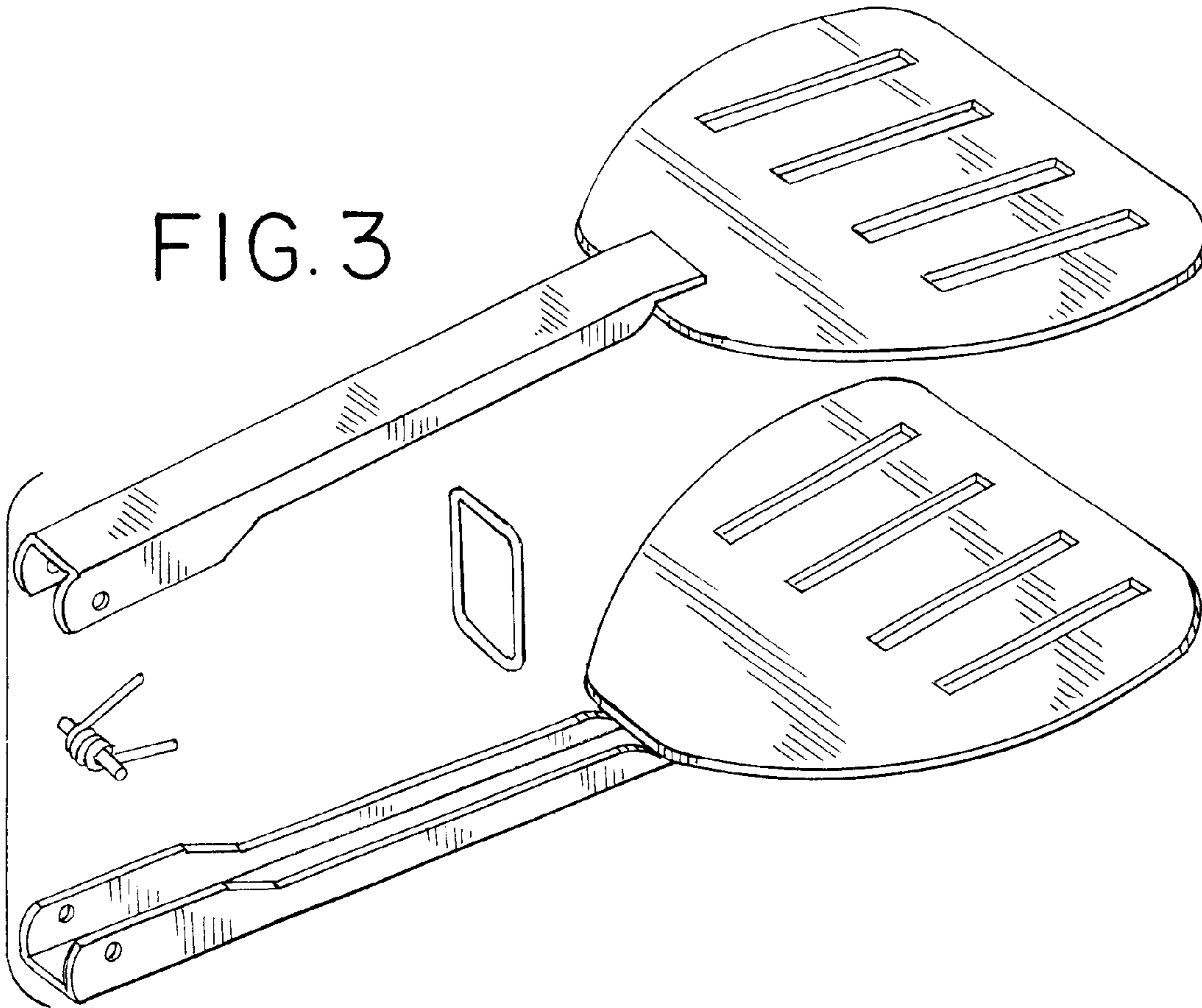


FIG. 4

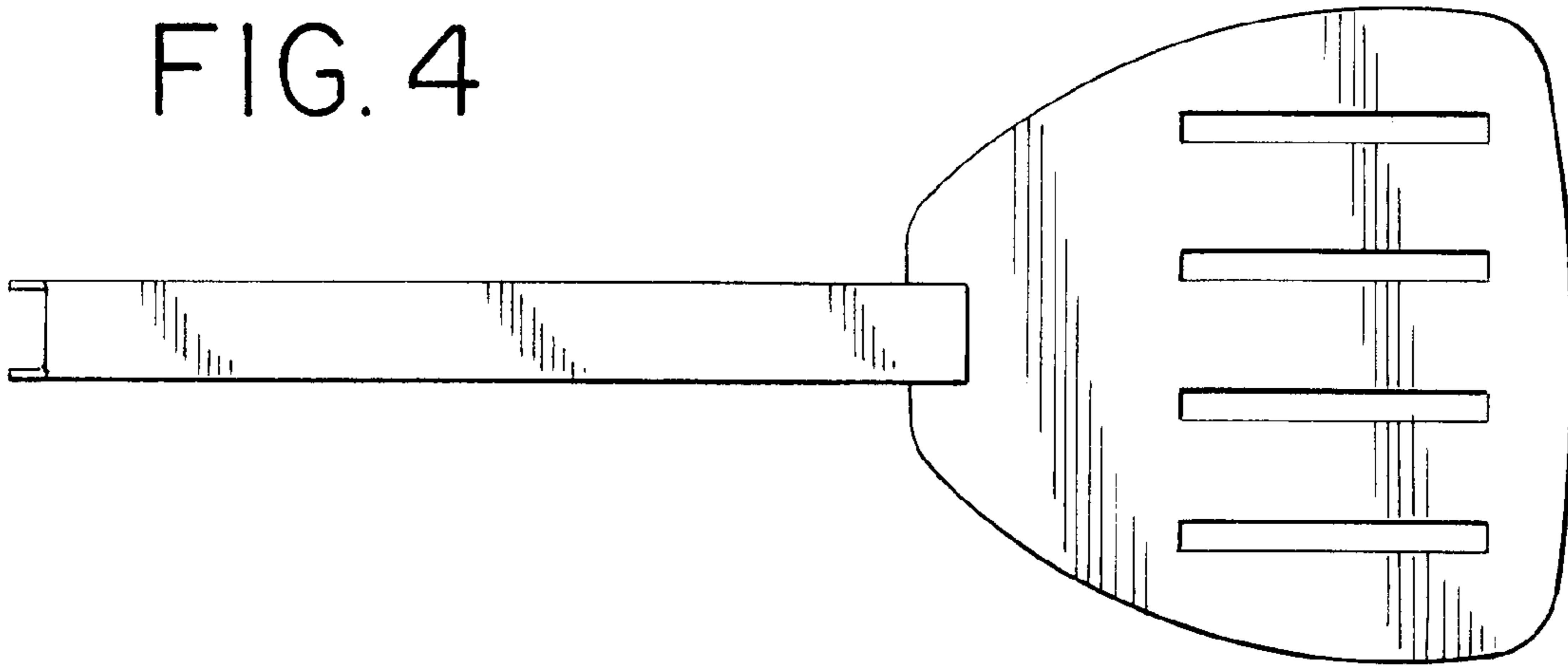


FIG. 5

