



US00D526540S

(12) **United States Design Patent**
Cohen et al.

(10) **Patent No.:** **US D526,540 S**

(45) **Date of Patent:** **** Aug. 15, 2006**

(54) **JUICE EXTRACTOR APPLIANCE**

D333,412 S * 2/1993 Levin D7/665
D439,808 S * 4/2001 McClean et al. D7/665
6,609,455 B1 * 8/2003 Fouquet 99/511

(75) Inventors: **Eli Cohen**, Lev HaSharon (IL); **Ann Grant**, New York, NY (US)

* cited by examiner

(73) Assignee: **AAC Trade Ltd.**, New York, NY (US)

Primary Examiner—Terry A. Wallace

(**) Term: **14 Years**

(57) **CLAIM**

(21) Appl. No.: **29/239,552**

The ornamental design of a juice extractor appliance, as shown.

(22) Filed: **Oct. 3, 2005**

DESCRIPTION

(51) **LOC (8) Cl.** **31-00**

(52) **U.S. Cl.** **D7/665**

(58) **Field of Classification Search** D7/665,
D7/666, 372-374; 99/492, 495, 497, 499,
99/348, 357, 501-513; 241/33, 36, 37.5,
241/100, 282.2, 95, 282.1

FIG. 1 is a perspective view, generally from the front, of a juice extractor appliance showing our new design;
FIG. 2 is a perspective view, generally from the rear thereof;
FIG. 3 is an elevational view, from one side thereof;
FIG. 4 is an elevation view, from the opposite side thereof;
FIG. 5 is a front view thereof;
FIG. 6 is a rear view thereof;
FIG. 7 is a top plan view thereof; and,
FIG. 8 is a bottom plan view thereof.

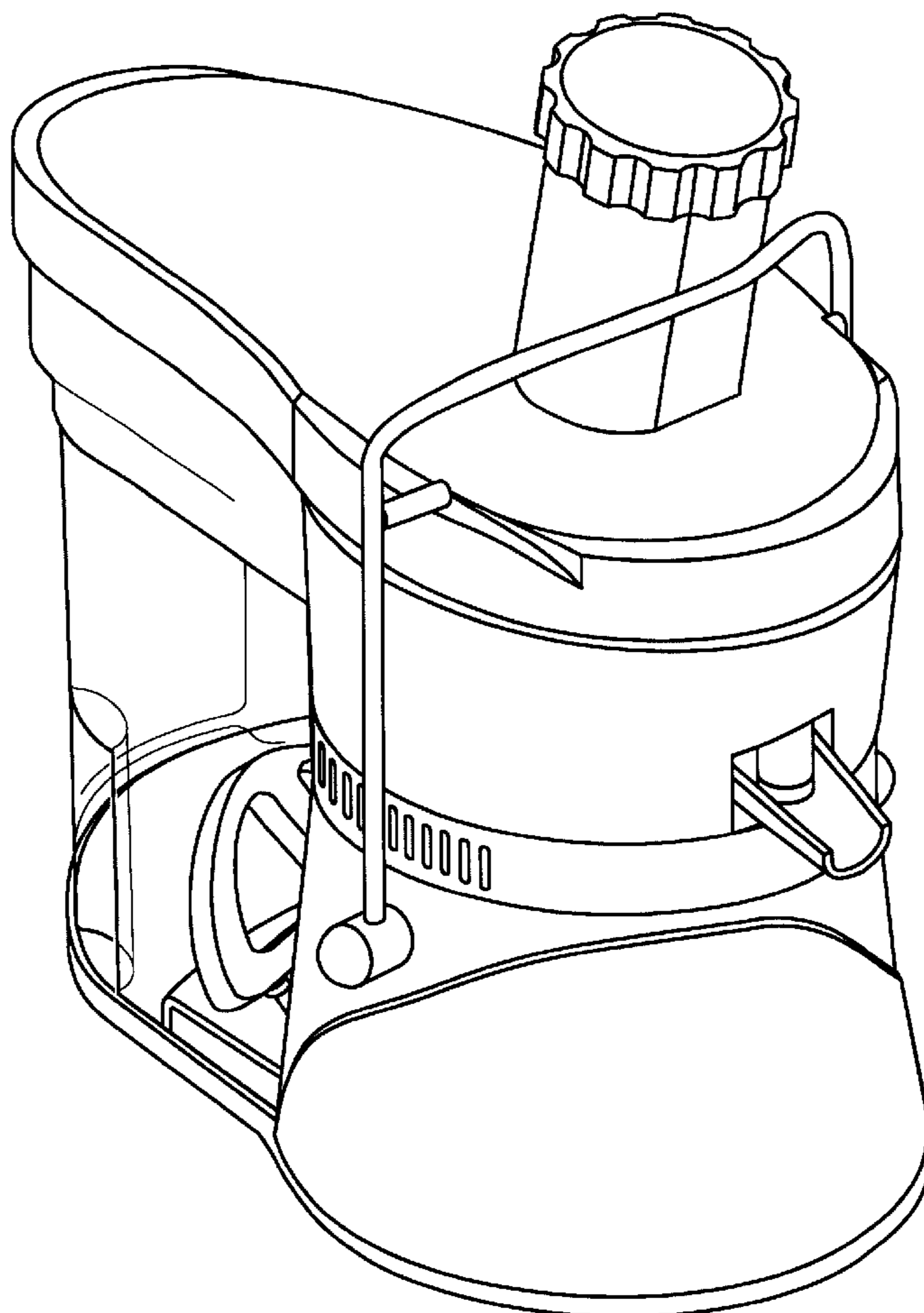
See application file for complete search history.

(56) **References Cited**

U.S. PATENT DOCUMENTS

D309,083 S * 7/1990 Kahlcke D7/665

1 Claim, 7 Drawing Sheets



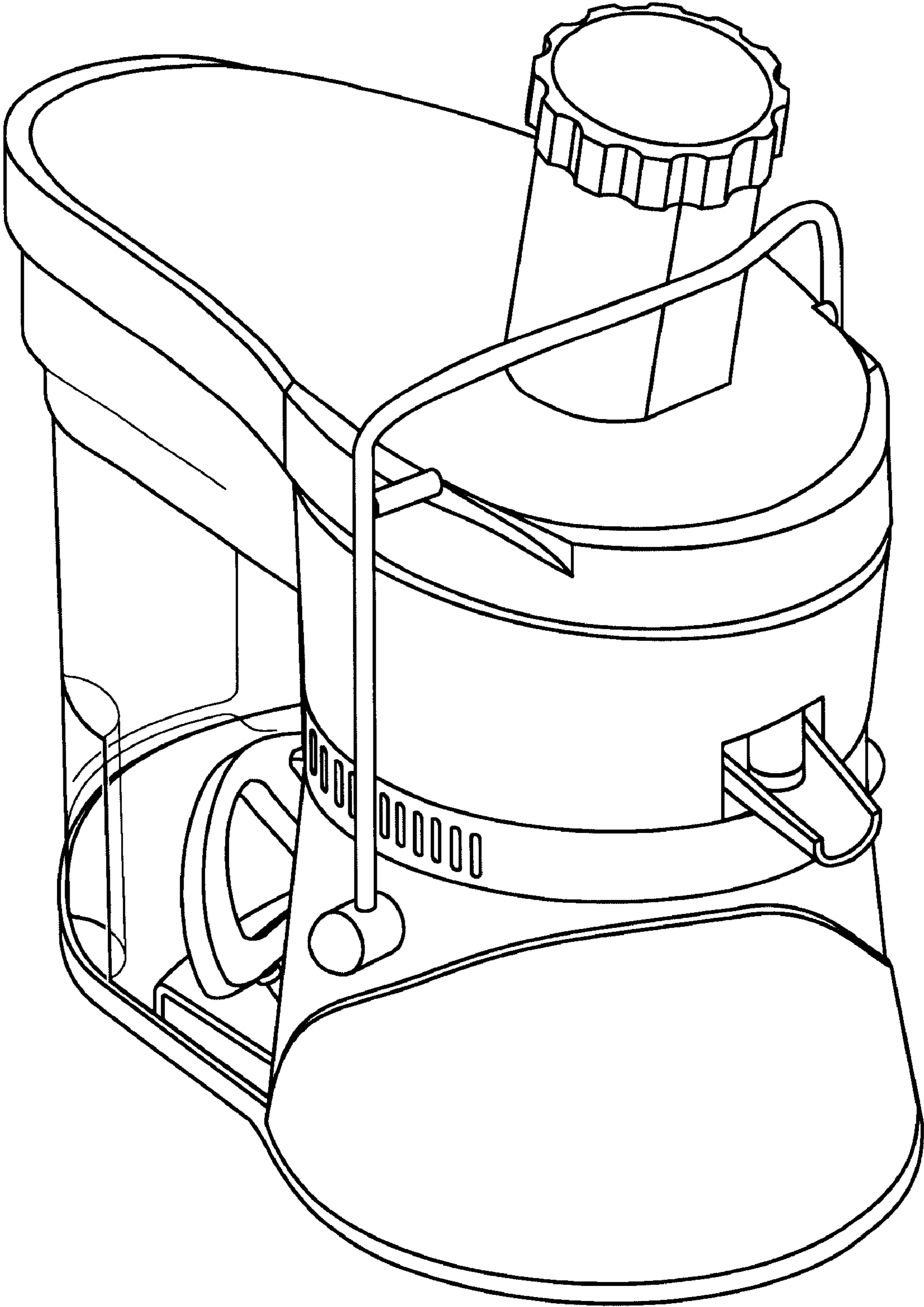


Fig. 1

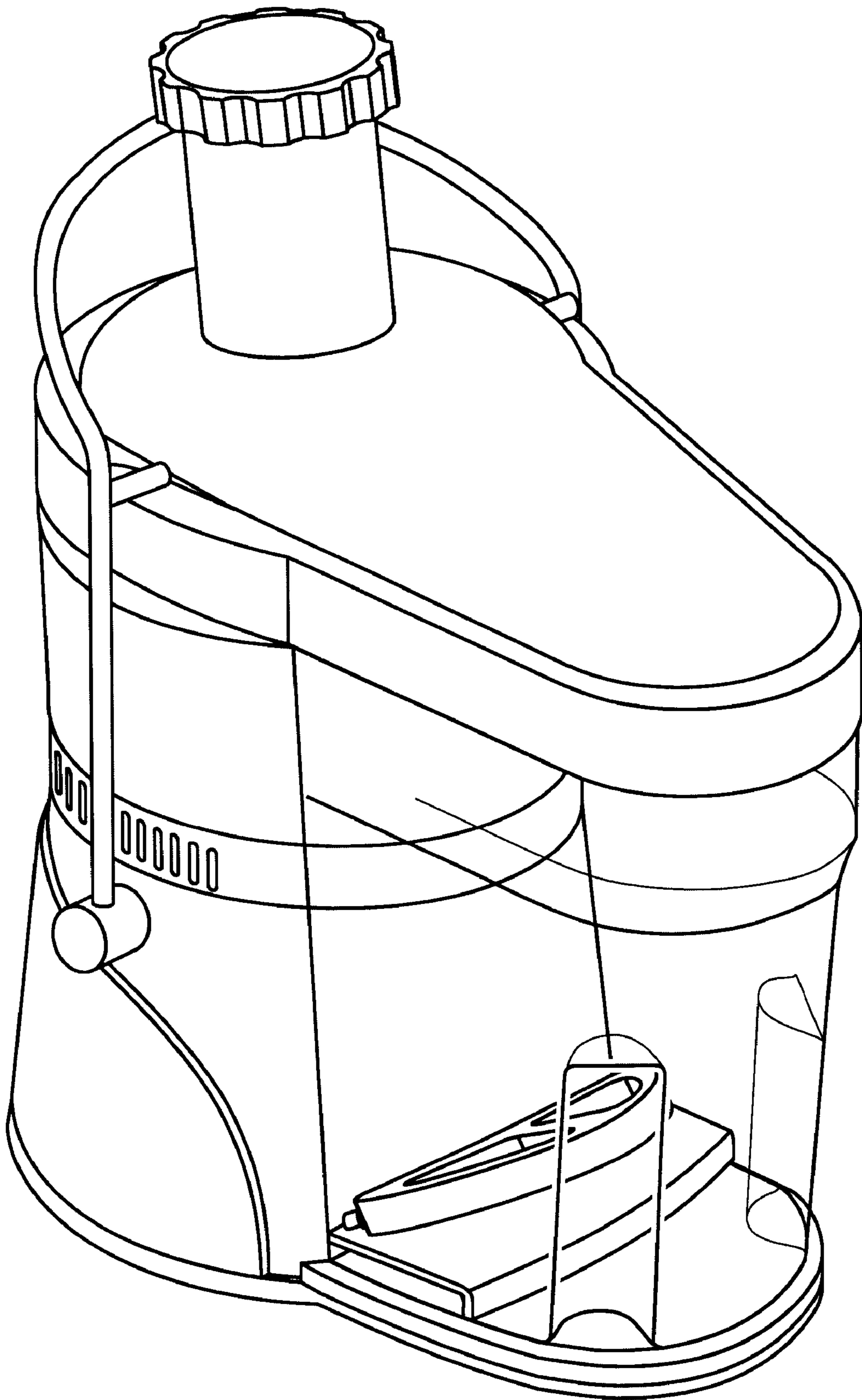


Fig. 2

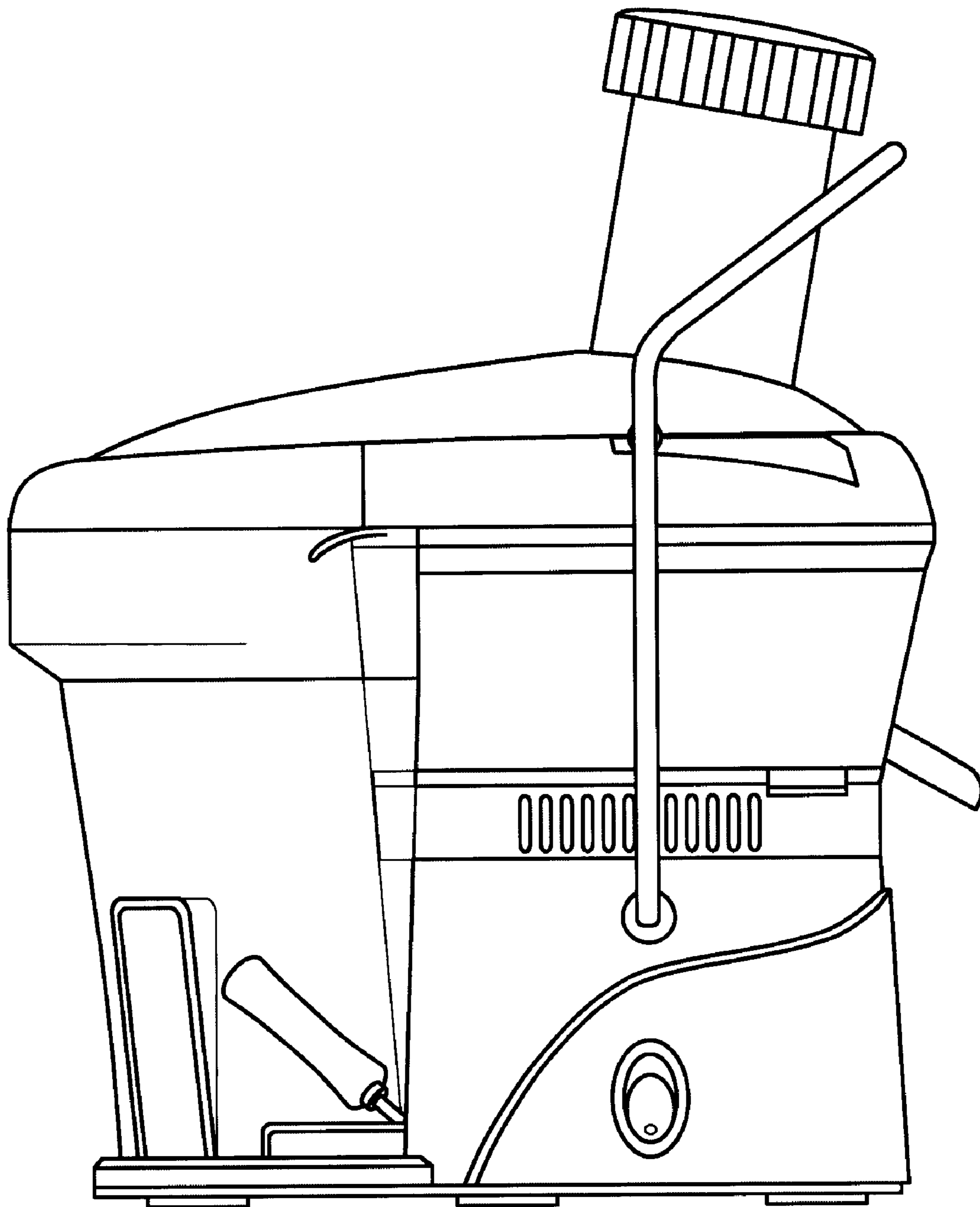


Fig. 3

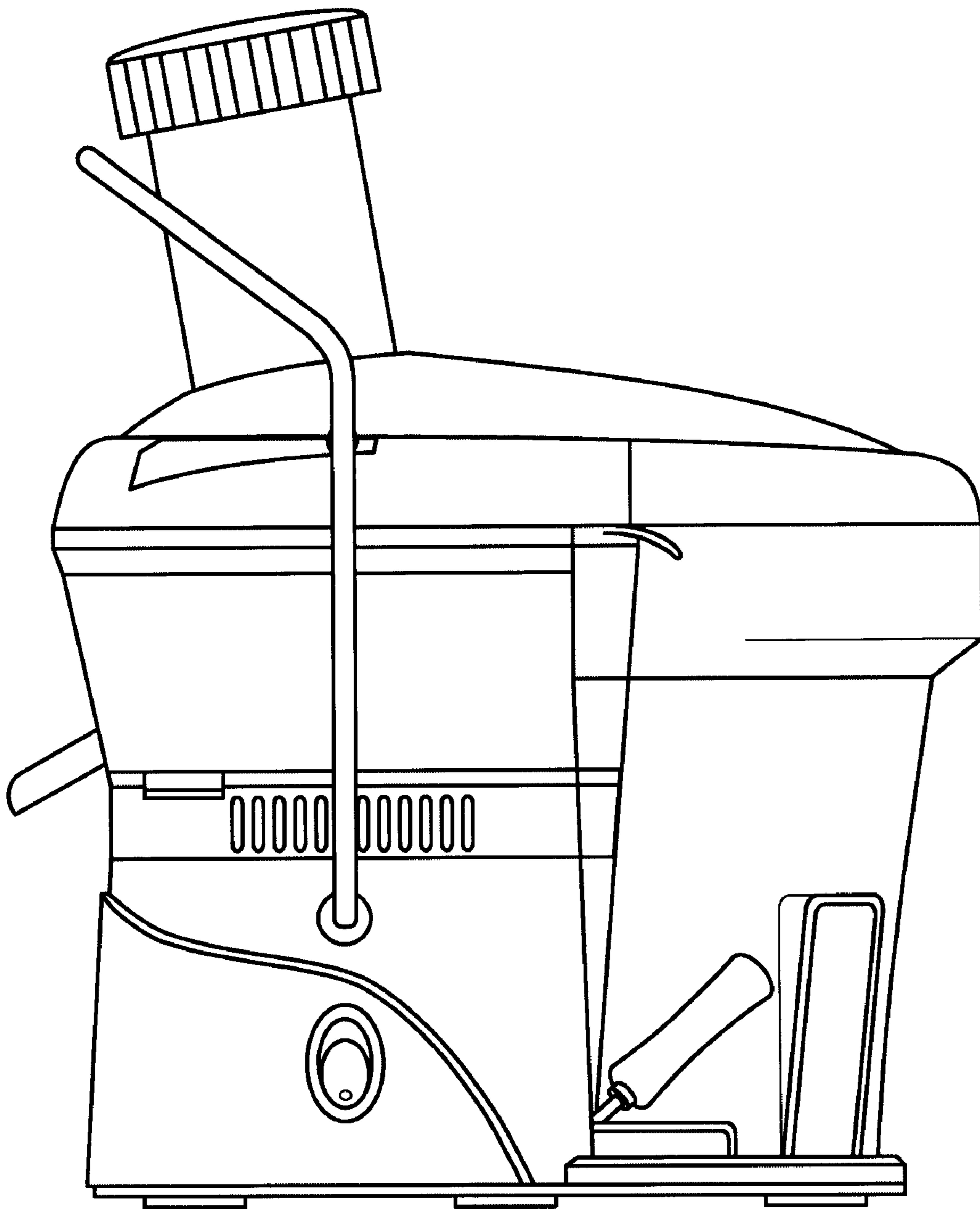


Fig. 4

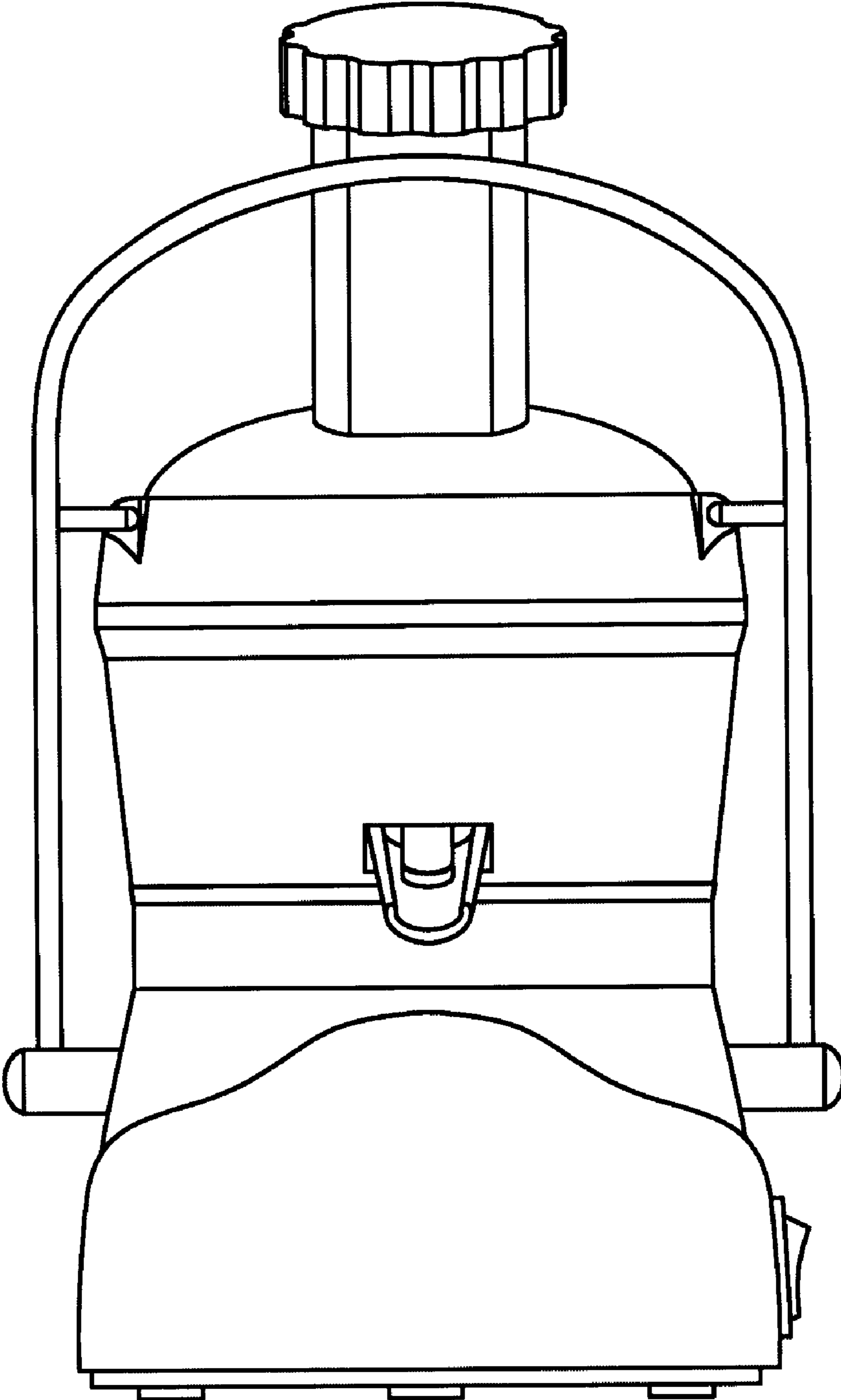


Fig. 5

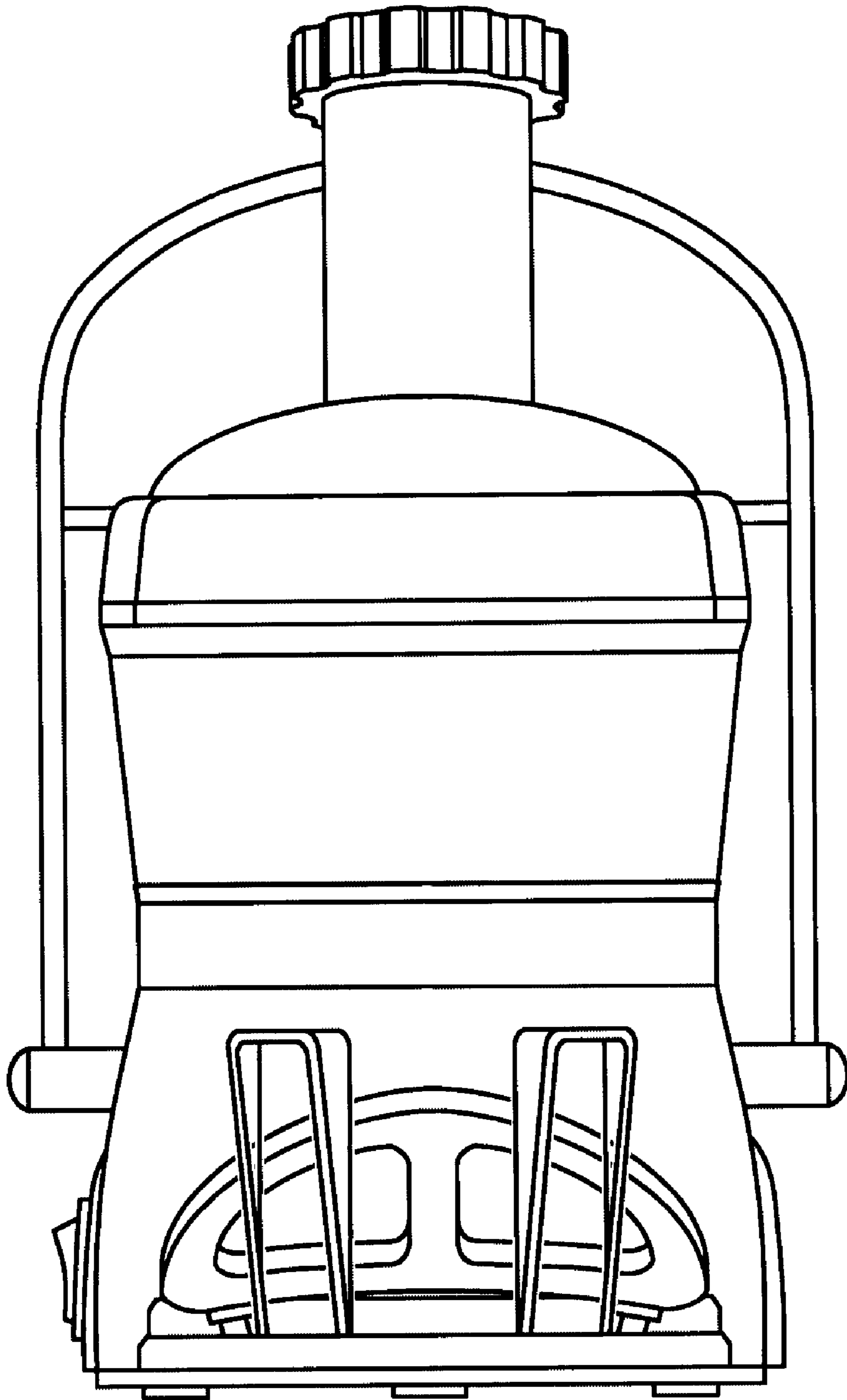


Fig. 6

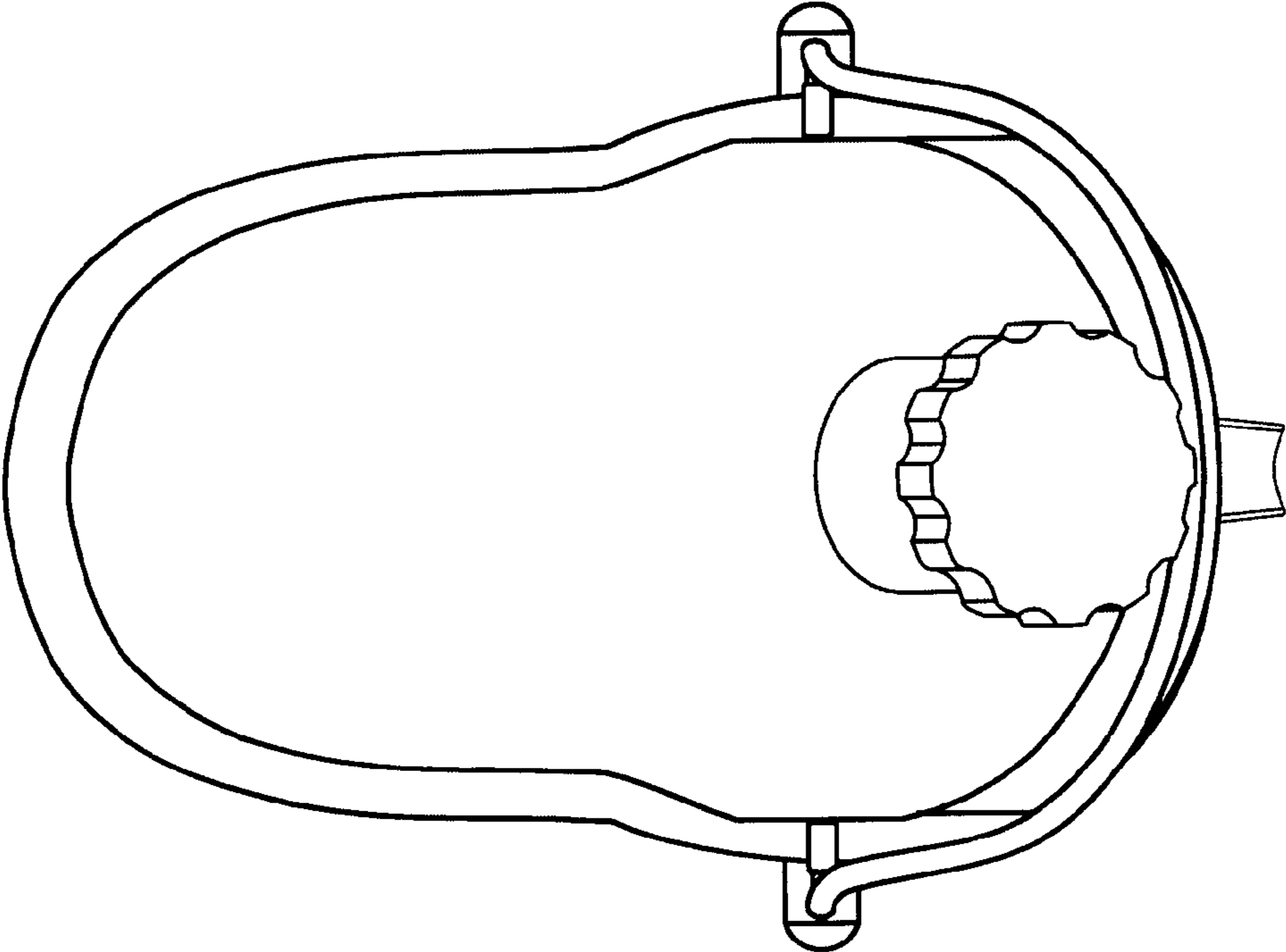


Fig. 7

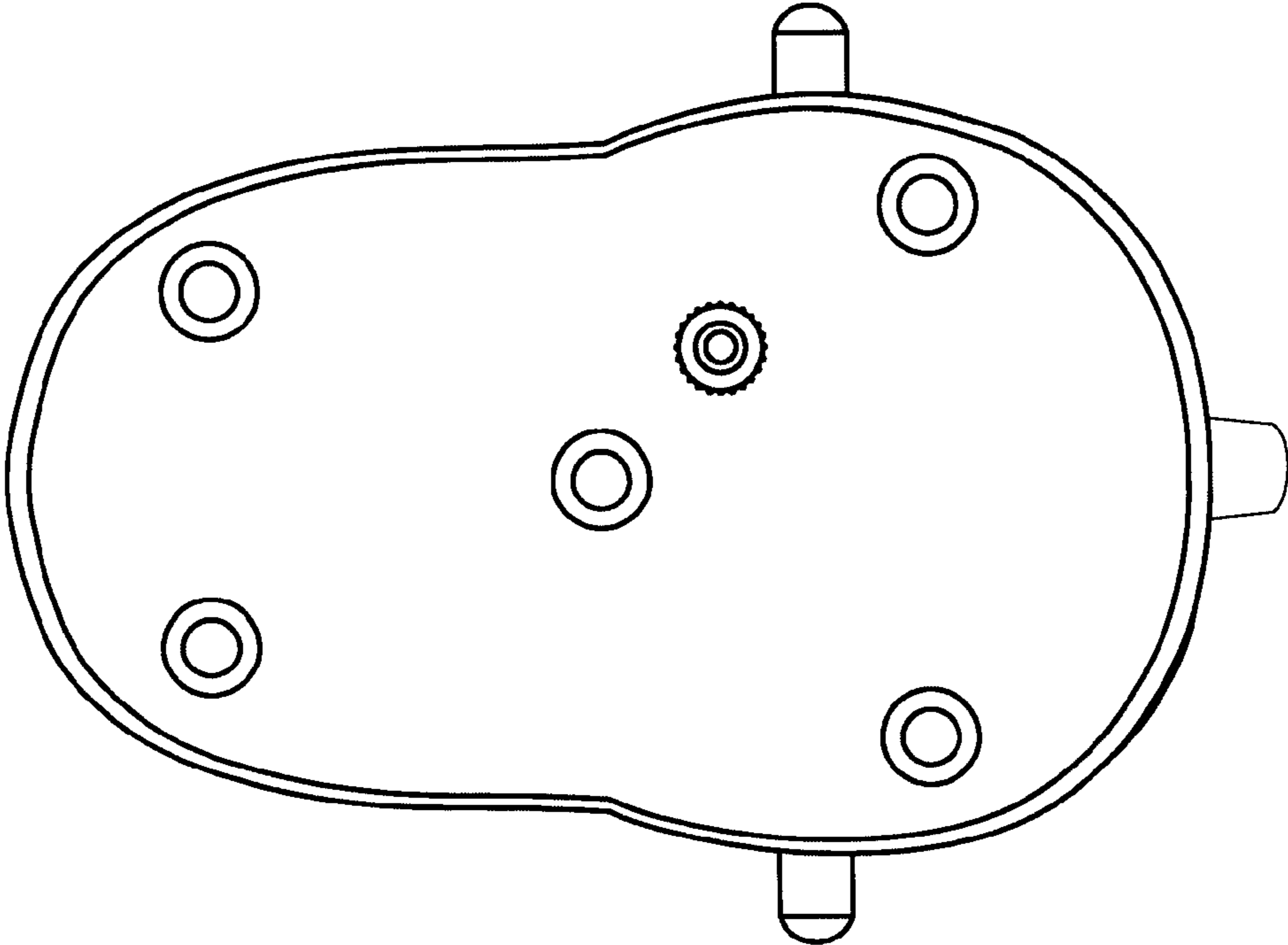


Fig. 8