

US00D526539S

(12) **United States Design Patent**
Yip

(10) **Patent No.:** **US D526,539 S**

(45) **Date of Patent:** **** Aug. 15, 2006**

(54) **ELECTRIC JUICE EXTRACTOR**

D362,597 S * 9/1995 Kim D7/665
D376,736 S * 12/1996 Kim D7/665

(76) Inventor: **Chun Lun Yip**, Goodway Plastic Products Ltd., 3rd Floor, Block A & C, King Yip Factory Building, 59 King Yip Street, Kwun Tong, Kowloon, Hong Kong (CN)

* cited by examiner

Primary Examiner—Terry A. Wallace
(74) *Attorney, Agent, or Firm*—Alix, Yale & Ristas, LLP

(**) Term: **14 Years**

(57) **CLAIM**

The ornamental design for an electric juice extractor, as shown and described.

(21) Appl. No.: **29/237,822**

(22) Filed: **Sep. 7, 2005**

DESCRIPTION

(30) **Foreign Application Priority Data**

Mar. 11, 2005 (CN) 200530053068

(51) **LOC (8) Cl.** **31-00**

(52) **U.S. Cl.** **D7/665**

(58) **Field of Classification Search** D7/665,
D7/666, 372–374; 99/492, 495, 497, 499,
99/348, 357, 501–513; 241/33, 36, 37, 100,
241/282.2; 100/98 R, 105, 125, 295, 97
See application file for complete search history.

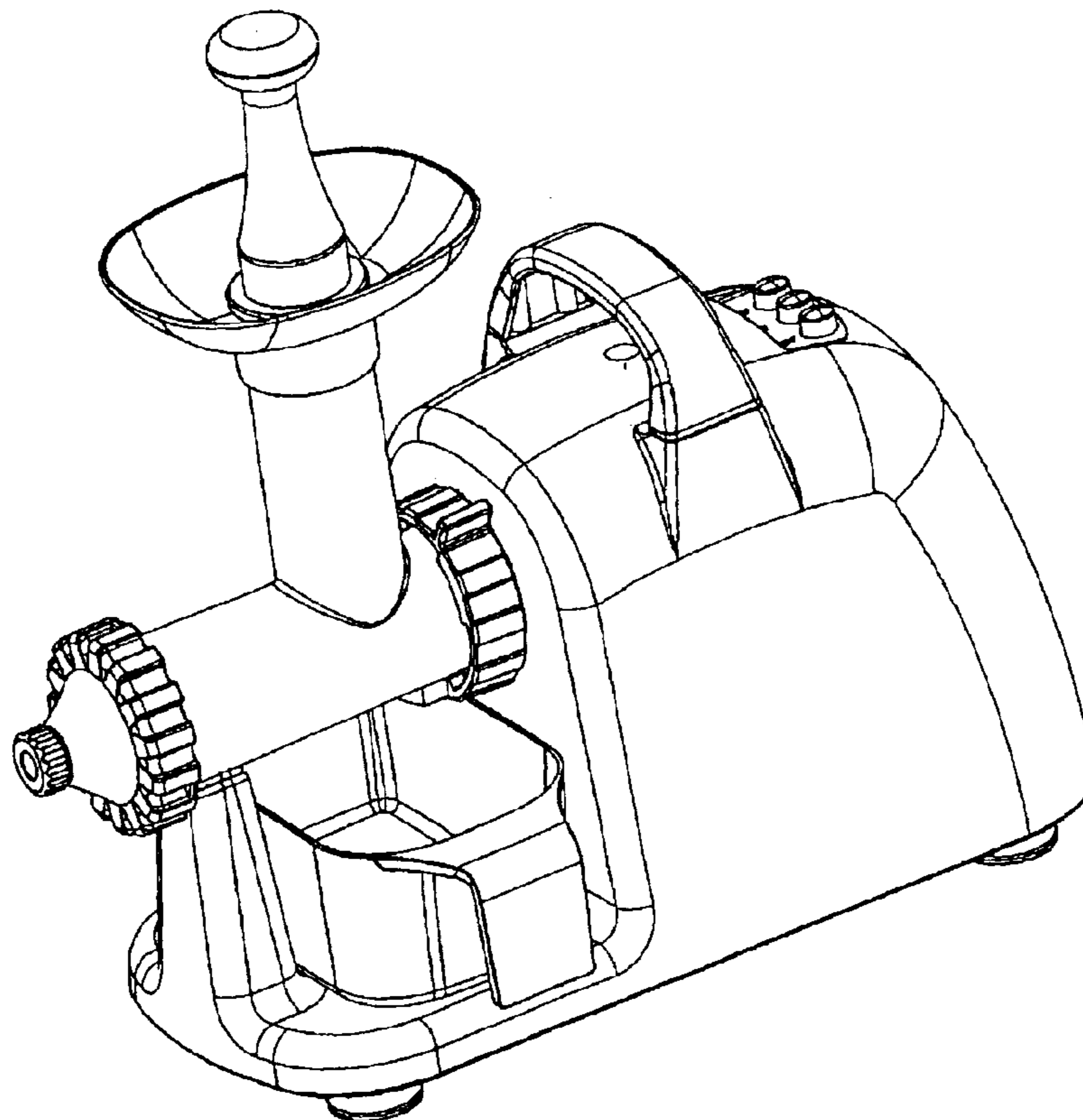
FIG. 1 is a perspective view of the electric juice extractor showing my new design;
FIG. 2 is a front view of the electric juice extractor of FIG. 1;
FIG. 3 is a rear view of the electric juice extractor of FIG. 1;
FIG. 4 is a top plan view of the electric juice extractor of FIG. 1;
FIG. 5 is a left side view of the electric juice extractor of FIG. 1;
FIG. 6 is a right side view of the electric juice extractor of FIG. 1; and,
FIG. 7 is a bottom plan view of the electric juice extractor of FIG. 1.

(56) **References Cited**

U.S. PATENT DOCUMENTS

2,767,644 A * 10/1956 Bireley 100/97
5,381,730 A * 1/1995 Kim 99/510

1 Claim, 7 Drawing Sheets



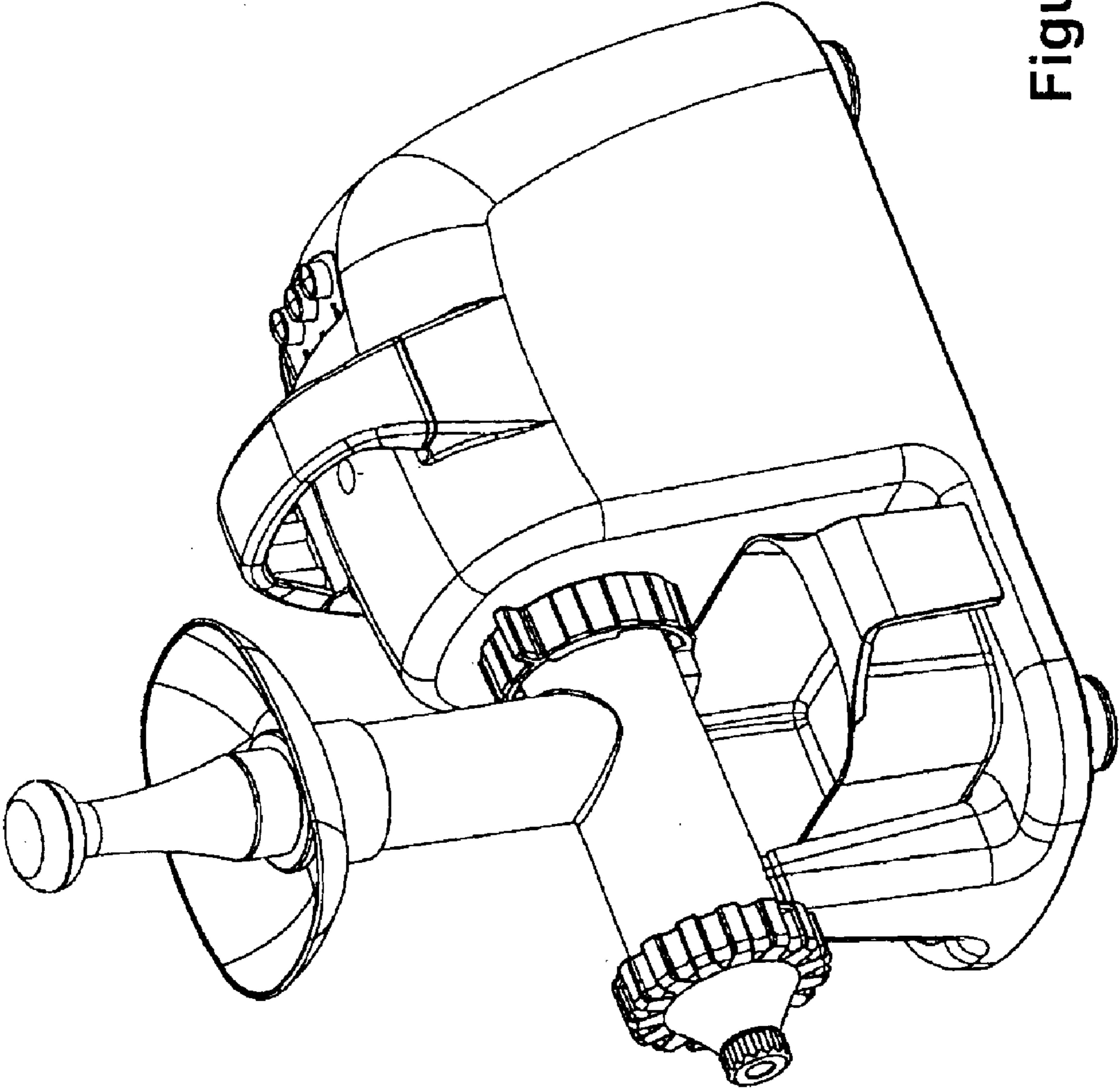
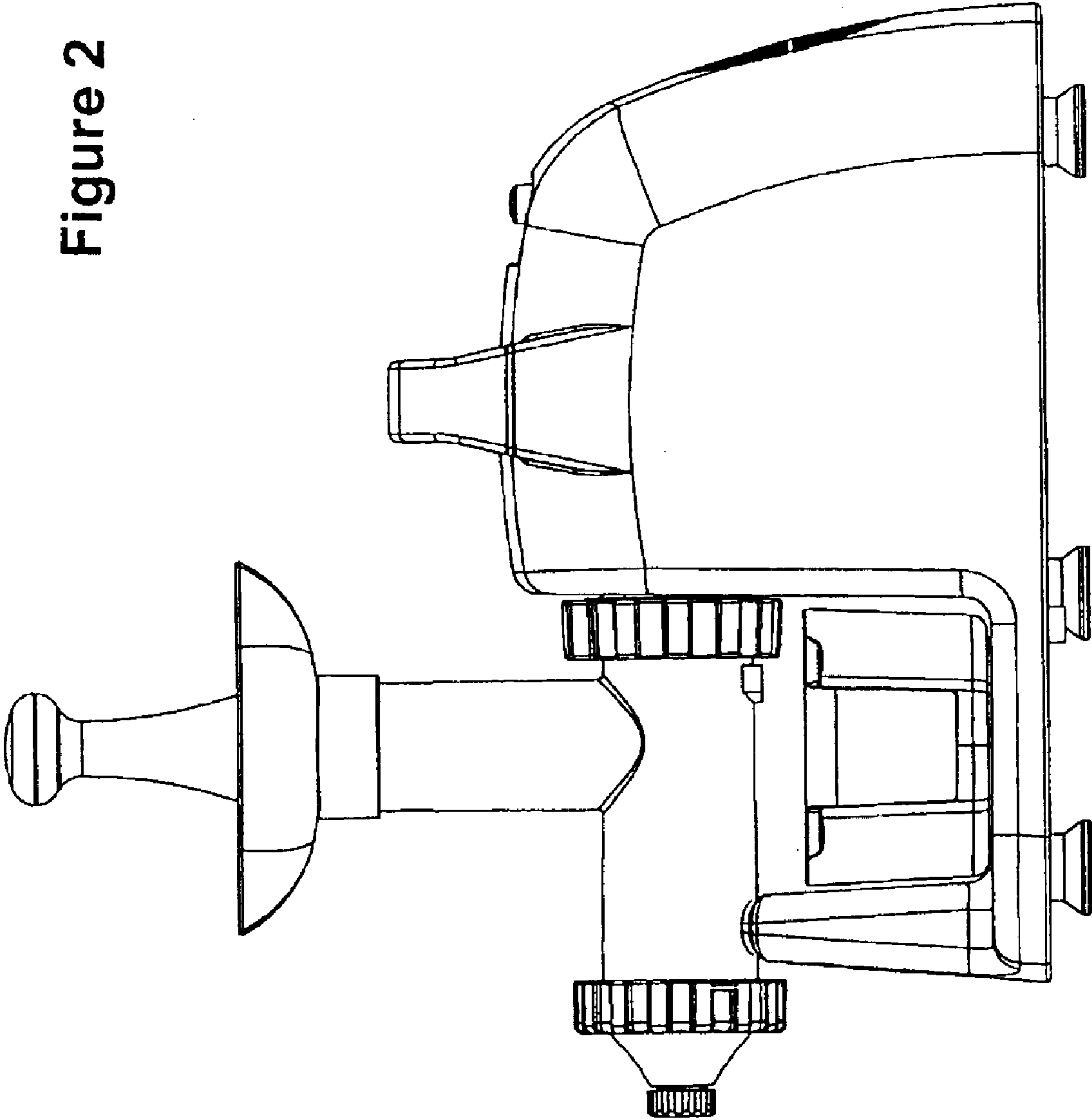


Figure 1

Figure 2



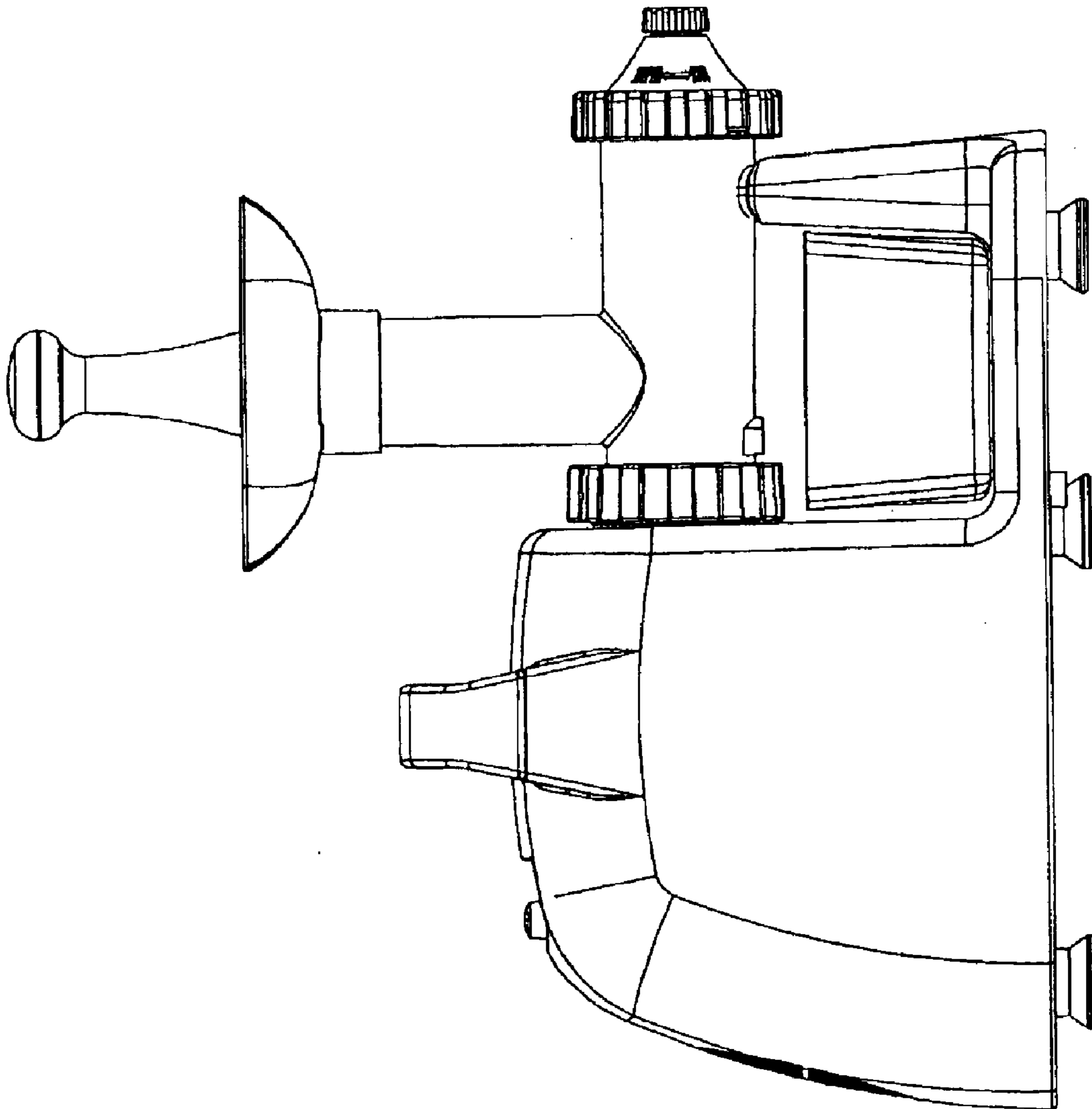


Figure 3

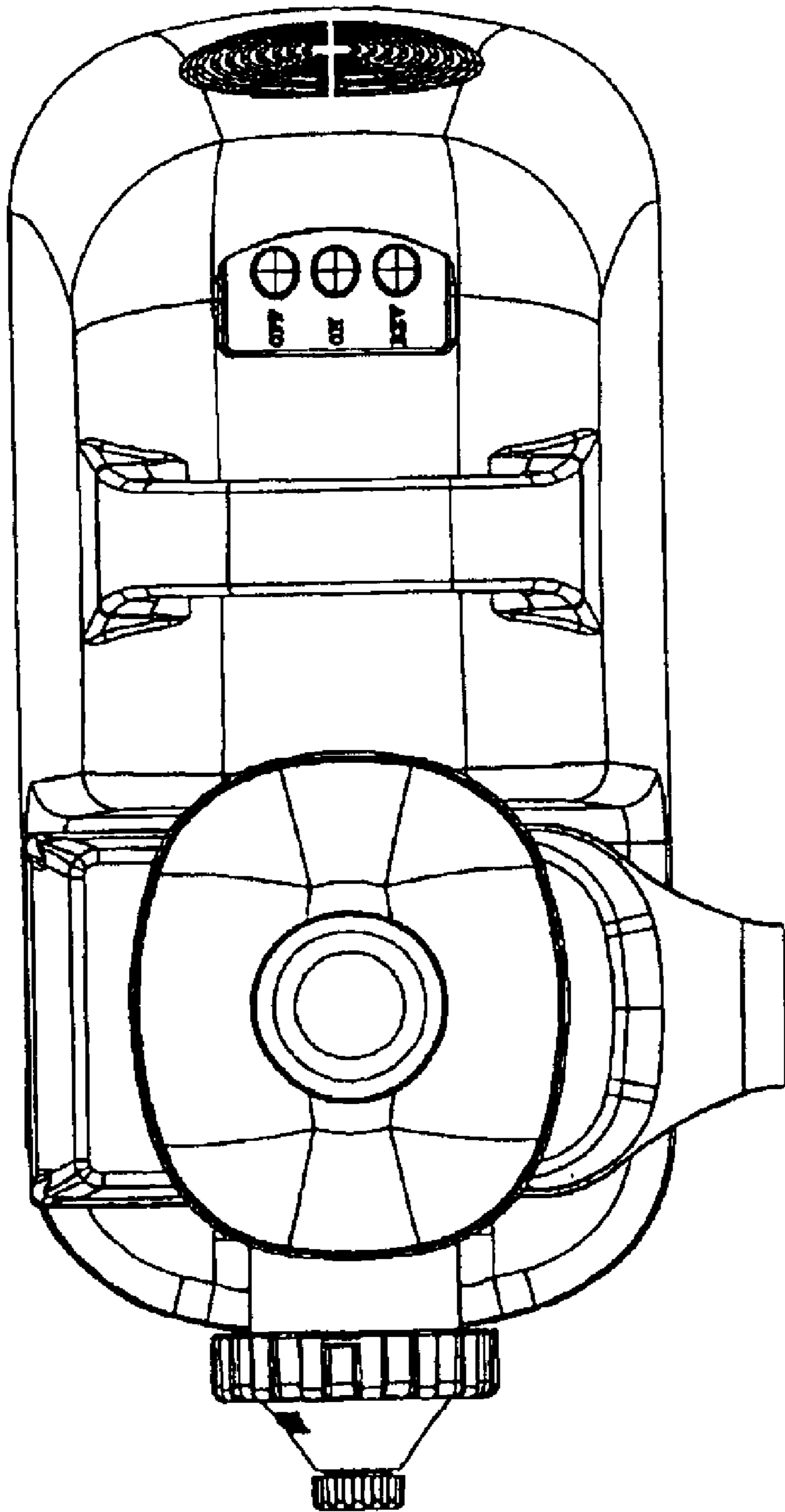


Figure 4

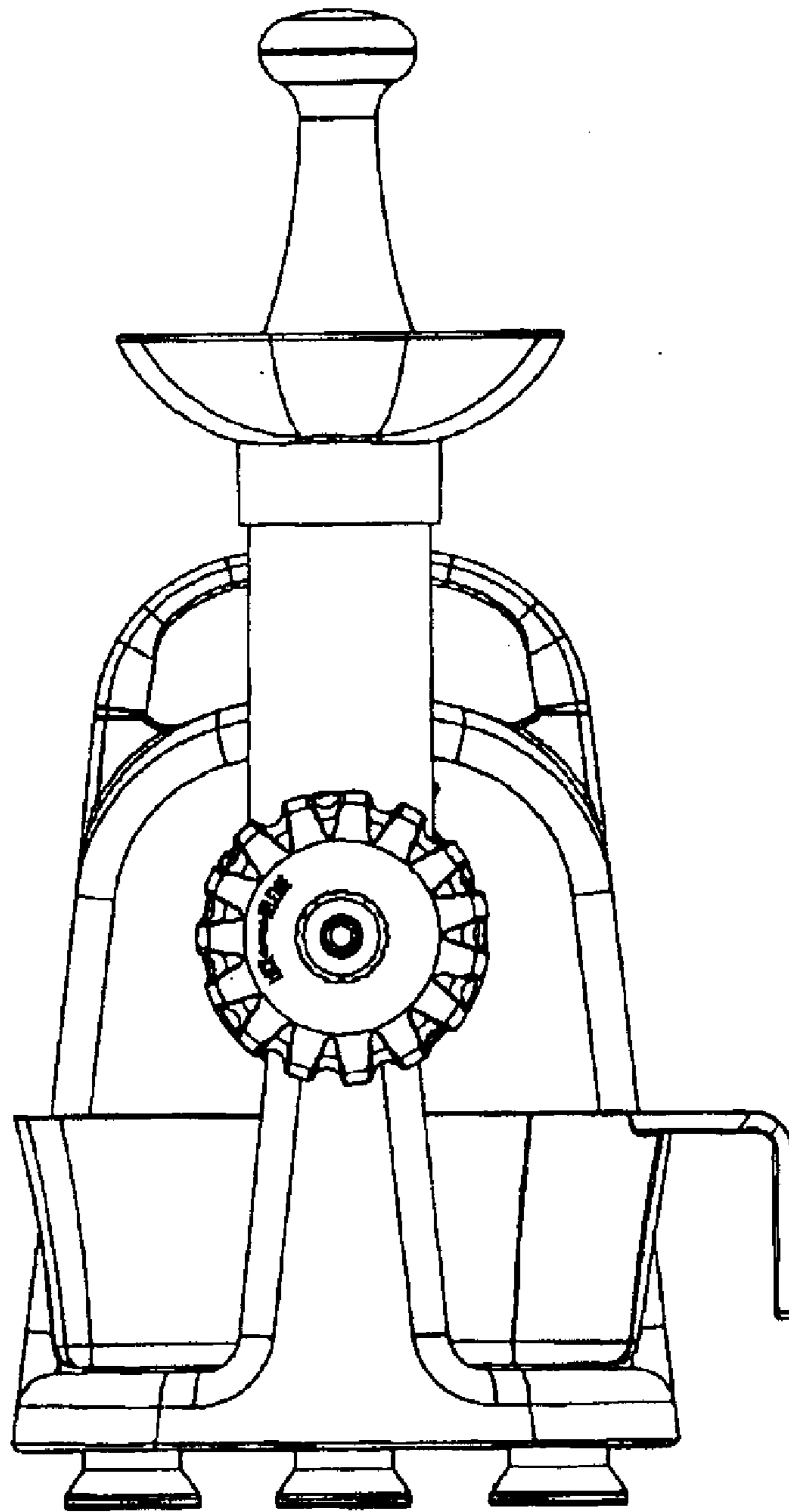


Figure 5

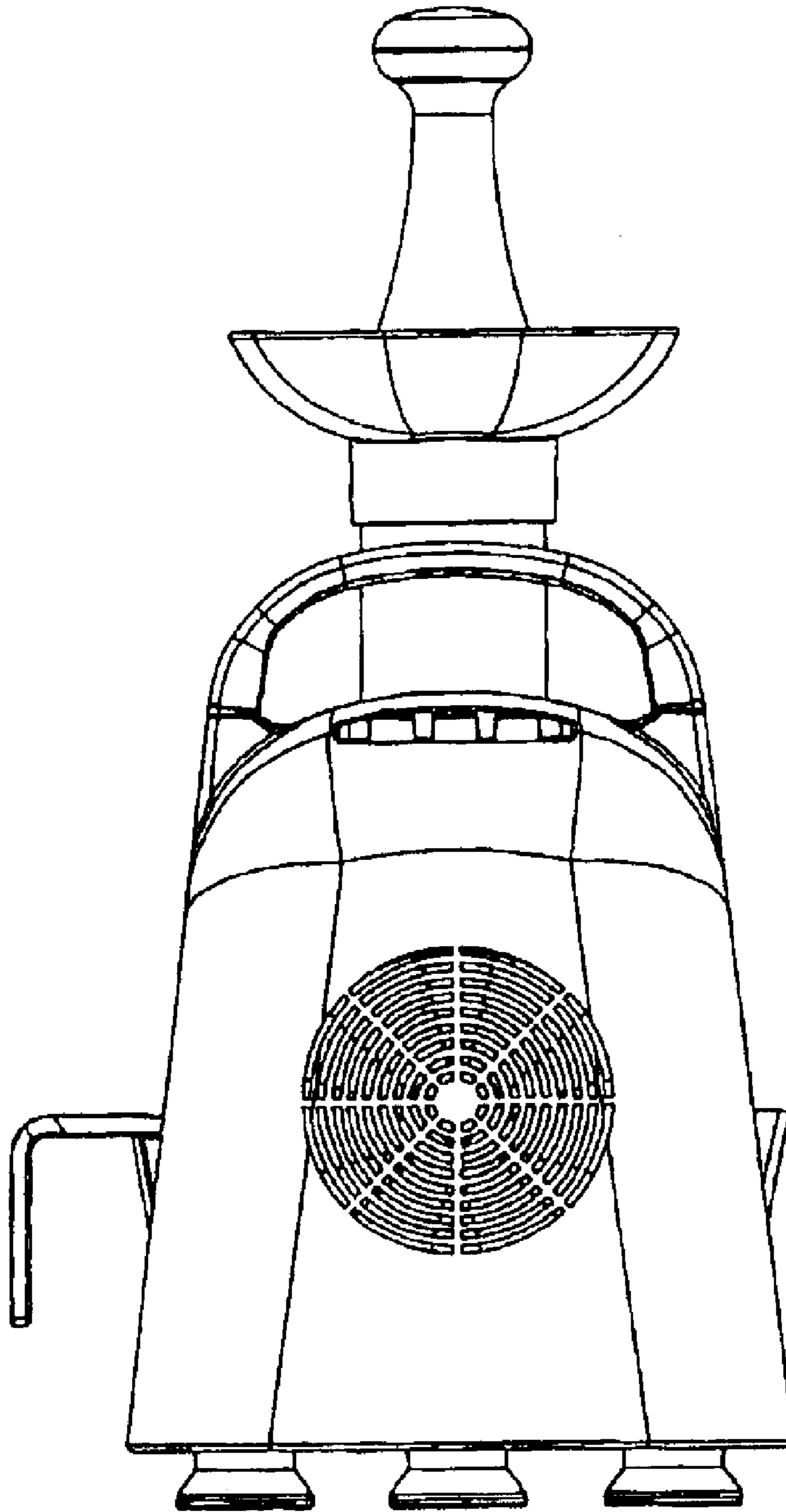


Figure 6

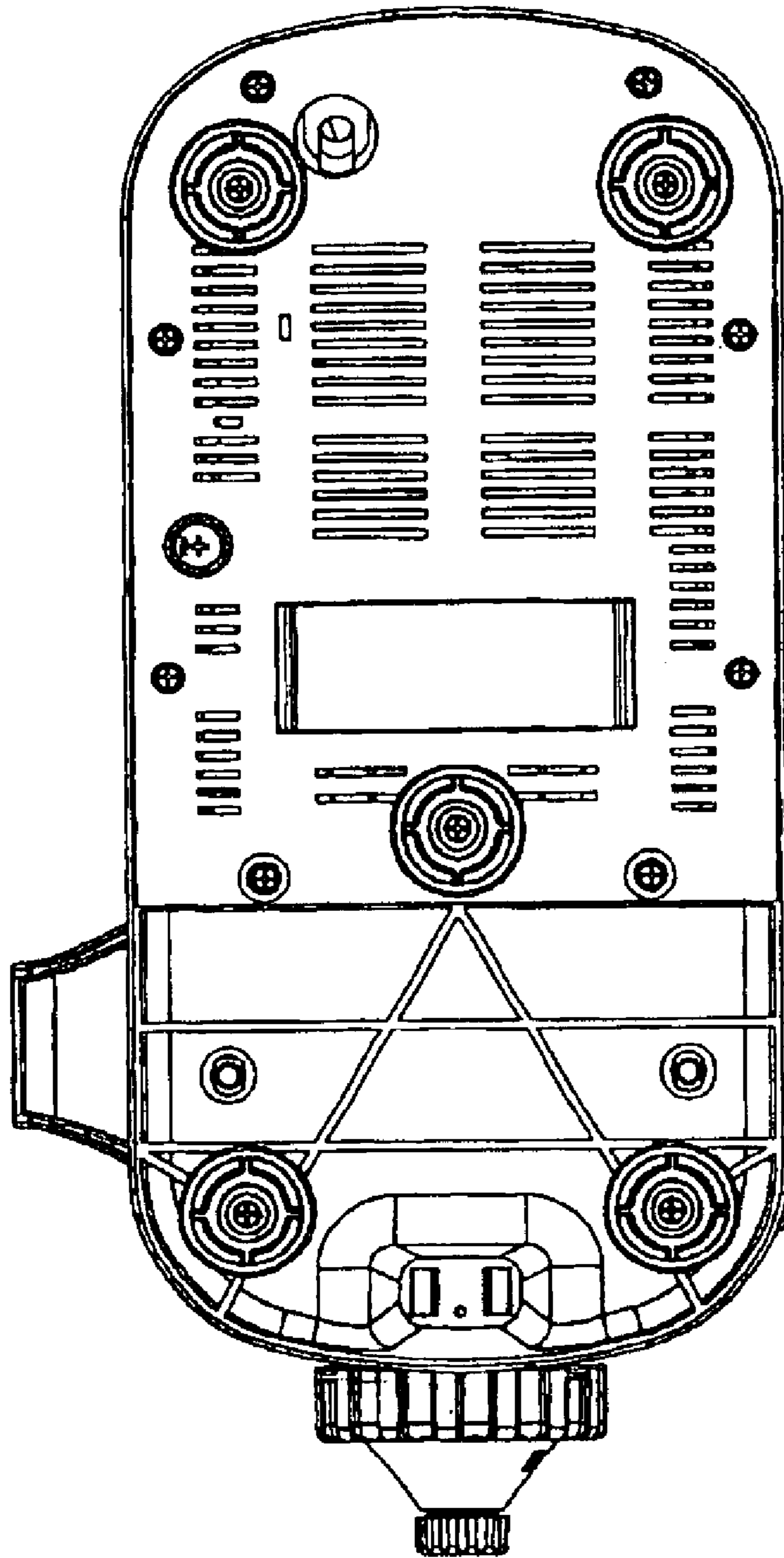


Figure 7