

US00D526536S

(12) **United States Design Patent**
Littlejohn et al.

(10) **Patent No.: US D526,536 S**

(45) **Date of Patent: ** Aug. 15, 2006**

(54) **ROUND PLATE WITH CONCENTRIC COMPARTMENT**

(75) Inventors: **Mark B. Littlejohn**, Appleton, WI (US); **Steve Chalson**, Marietta, GA (US); **Dianne Robbins**, Toronto (CA); **Jeffrey Craig Gottke**, Bowling Green, KY (US)

(73) Assignee: **Fort James Corporation**, Atlanta, GA (US)

(**) Term: **14 Years**

(21) Appl. No.: **29/223,616**

(22) Filed: **Feb. 15, 2005**

(51) **LOC (8) Cl.** **07-01**

(52) **U.S. Cl.** **D7/553.6**

(58) **Field of Classification Search** D7/584, D7/586, 587, 500, 545-549, 566, 570, 553.6, D7/602, 430; 220/574, 575, 605, 606; 206/518, 206/520, 575, 217; D9/697

See application file for complete search history.

(56) **References Cited**

U.S. PATENT DOCUMENTS

196,005 A * 10/1877 Gardner D7/584
D225,431 S * 12/1972 Gulotta D7/586
D237,344 S * 10/1975 Whitten D7/553.6
5,234,125 A * 8/1993 Roberts 220/574
5,727,678 A * 3/1998 Chen 206/217
D434,605 S 12/2000 Littlejohn et al. D7/546

D437,527 S 2/2001 Littlejohn et al. D7/554.2
D445,303 S 7/2001 Littlejohn et al. D7/586
D445,304 S 7/2001 Littlejohn et al. D7/586
D450,221 S 11/2001 Littlejohn et al. D7/586
6,415,944 B1 * 7/2002 Toussant 220/574
6,715,630 B1 4/2004 Littlejohn et al. 220/573
6,733,852 B1 5/2004 Littlejohn et al. 428/35.7
D494,420 S * 8/2004 Wellner D7/587
D511,273 S * 11/2005 Hadelor D7/553.6
D516,867 S * 3/2006 Martin et al. D7/586
2005/0218144 A1 * 10/2005 Price 220/574

FOREIGN PATENT DOCUMENTS

GB 2103371 * 8/2001

* cited by examiner

Primary Examiner—Charles A. Rademaker

(74) *Attorney, Agent, or Firm*—Georgia-Pacific Corp.;
Jacqueline M. Hutter

(57) **CLAIM**

The ornamental design for a round plate with concentric compartment, as shown and described.

DESCRIPTION

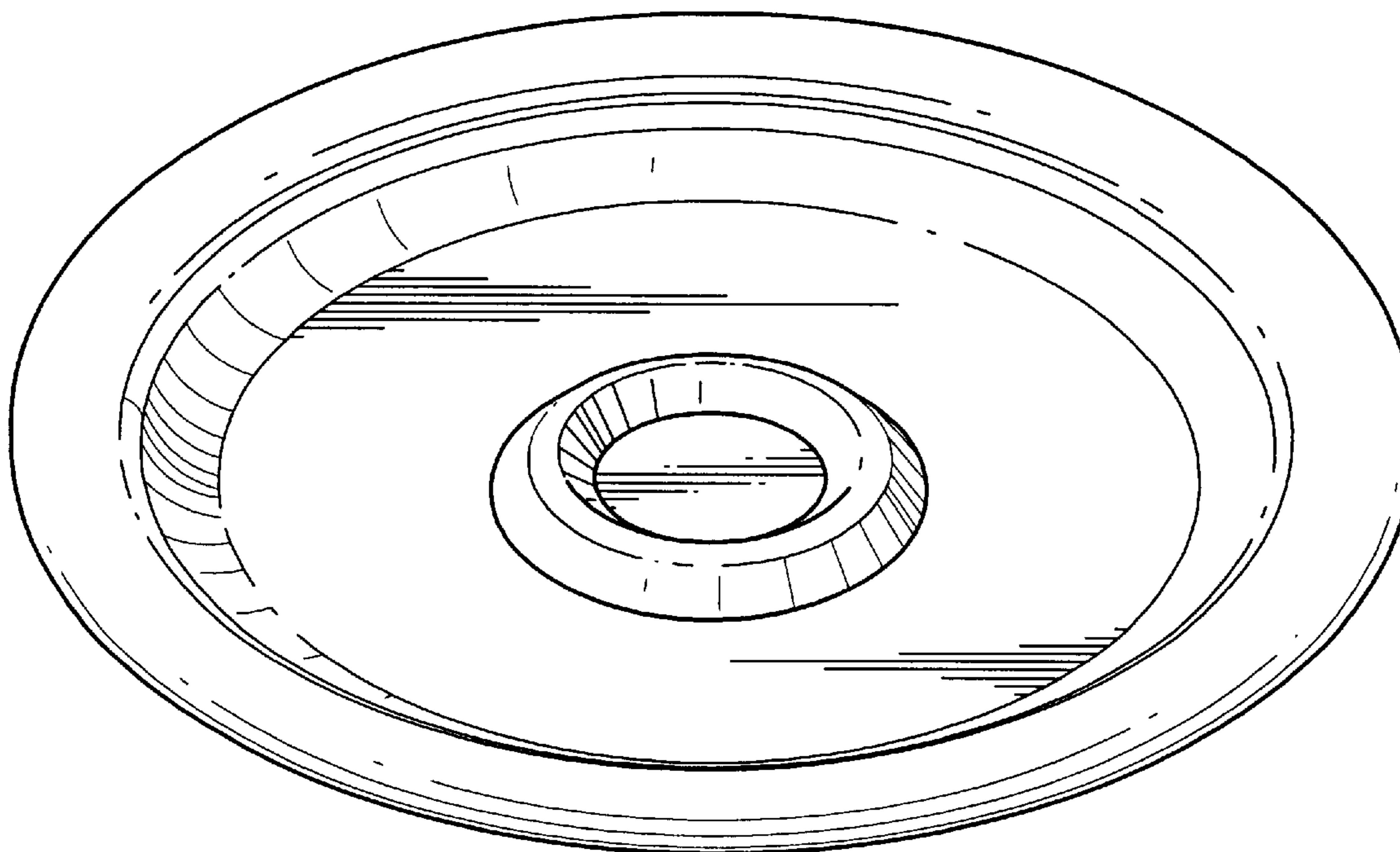
FIG. 1 is a perspective view of a round plate with concentric compartment showing our new design;

FIG. 2 is a top plan view thereof;

FIG. 3 is a side elevation thereof; and,

FIG. 4 is a cross-sectional view thereof taken along line 4—4 of FIG. 2.

1 Claim, 3 Drawing Sheets



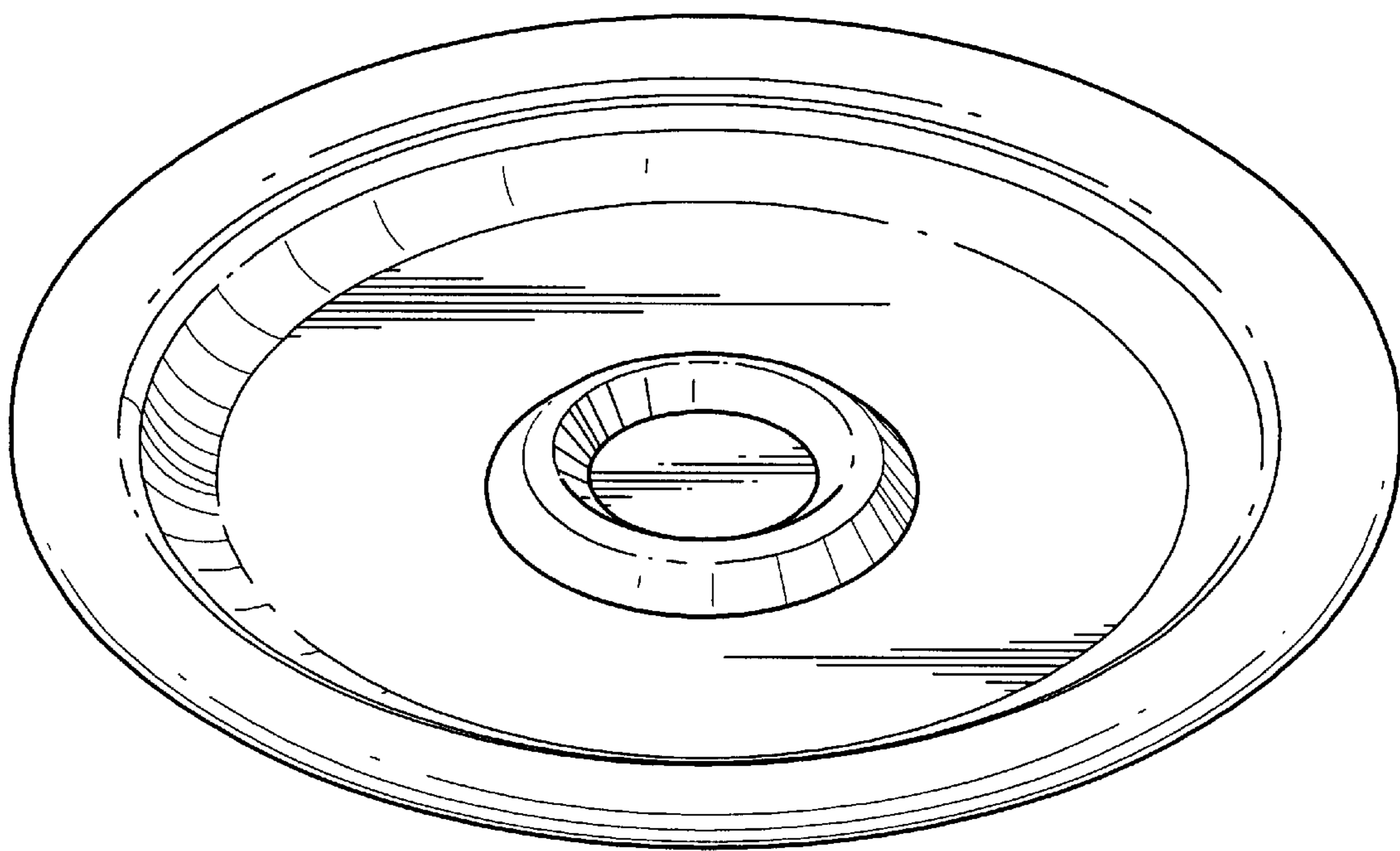


FIG. 1

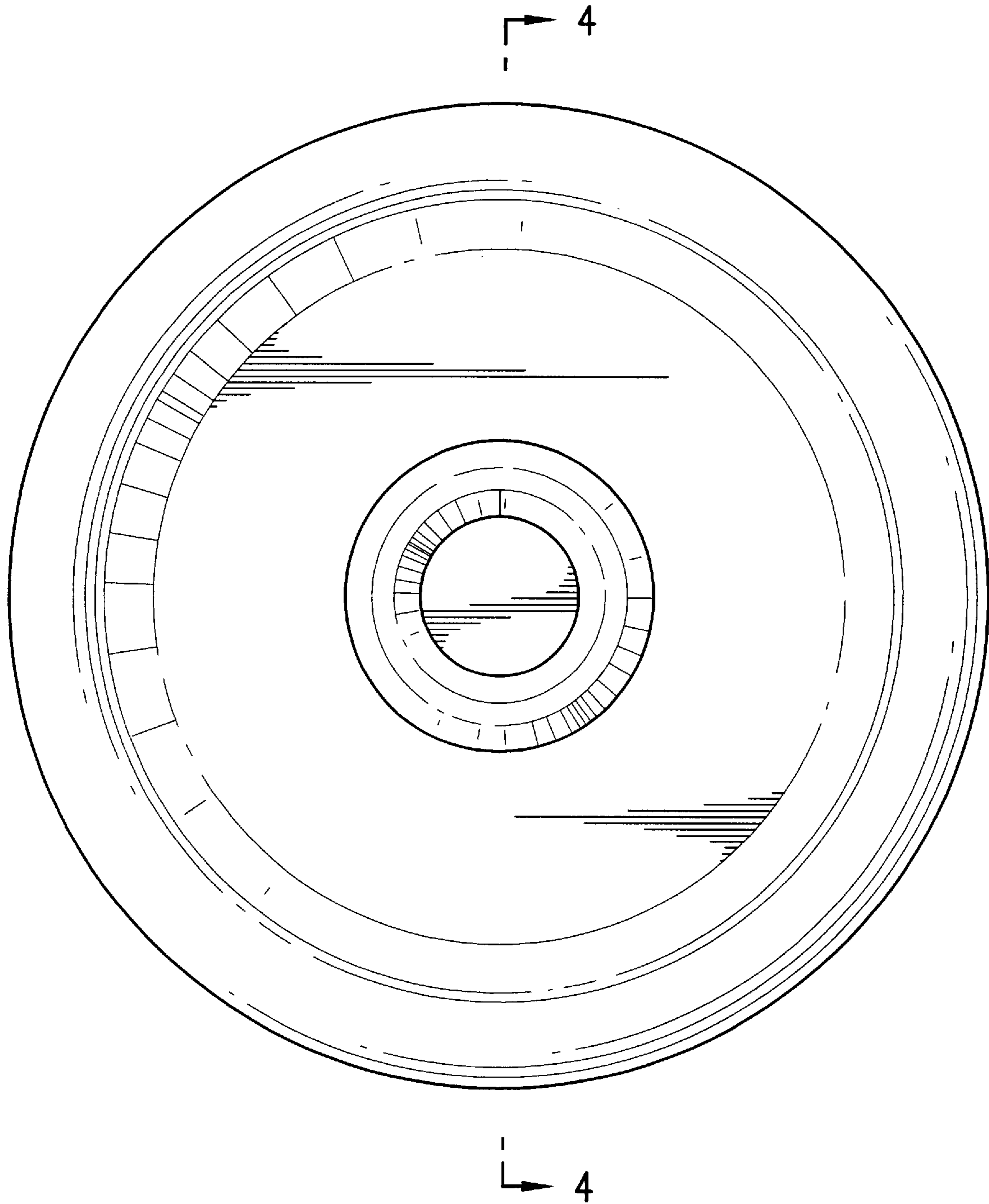


FIG. 2

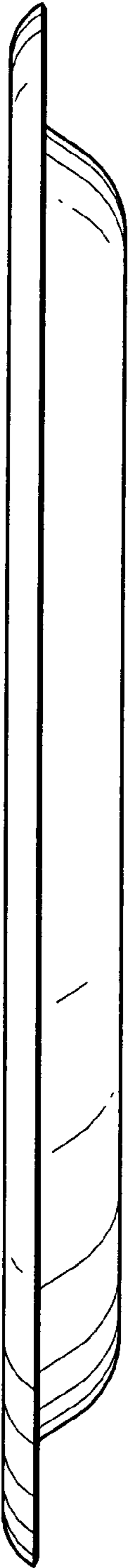


FIG. 3

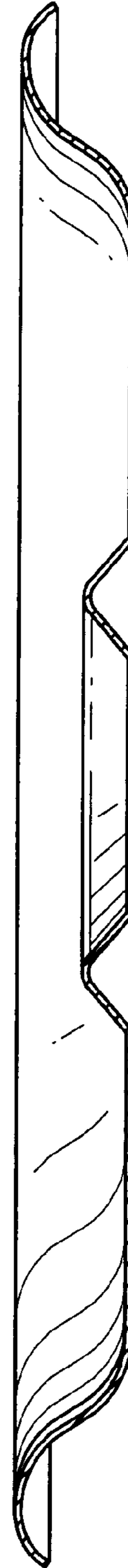


FIG. 4