



US00D526534S

(12) **United States Design Patent**
Tardif

(10) **Patent No.:** **US D526,534 S**

(45) **Date of Patent:** **** Aug. 15, 2006**

(54) **HANDLE AND PALM RECEIVING PORTION OF A SPICE MILL**

2002/0014064 A1 2/2002 Wubbels et al.
2003/0047630 A1 3/2003 Wu

(75) Inventor: **Pierre Tardif**, Longueuil (CA)

Primary Examiner—Terry A. Wallace
(74) *Attorney, Agent, or Firm*—Ladas & Parry LLP

(73) Assignee: **Trudeau Corporation 1889 Inc.**,
Boucherville (CA)

(57) **CLAIM**

(**) Term: **14 Years**

I claim the ornamental design for handle and palm receiving portion of a spice mill, as shown and described.

(21) Appl. No.: **29/225,856**

DESCRIPTION

(22) Filed: **Mar. 21, 2005**

(51) **LOC (8) Cl.** **07-06**

(52) **U.S. Cl.** **D7/401.1; D7/679**

(58) **Field of Classification Search** D7/590–599,
D7/679, 401.1, 372–374, 383, 384; 241/168,
241/169, 169.1, 169.2, 262, 286, 273.2; 222/142.1–142.9
See application file for complete search history.

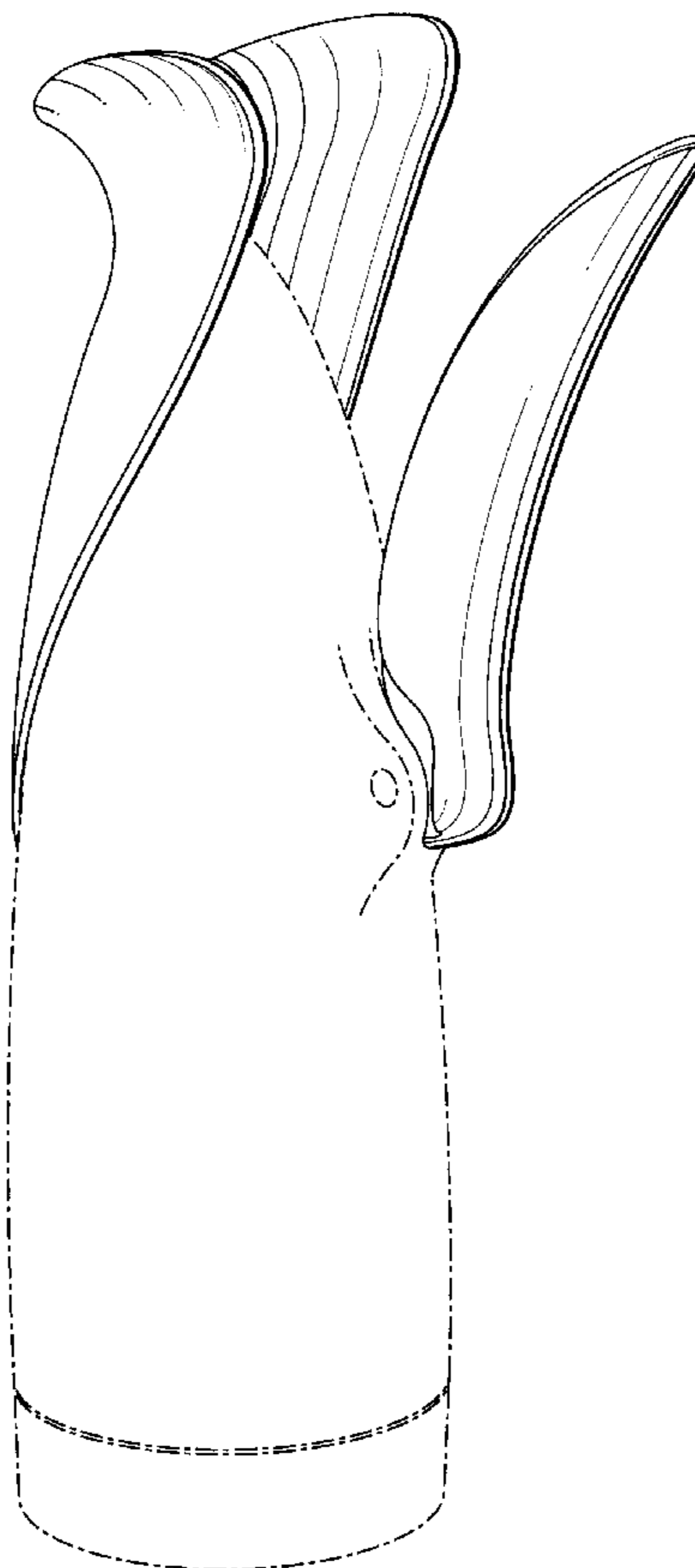
FIG. 1 is a perspective view of a handle and palm receiving portion of a spices mill according to the present design; FIG. 2 is a left side elevational view of the handle and palm receiving portion of a spices mill of FIG. 1; FIG. 3 is a front elevational view of the handle and palm receiving portion of a spices mill of FIG. 1; FIG. 4 is a top plan view of the handle and palm receiving portion of a spices mill of FIG. 1; FIG. 5 a right side elevational view of the handle and palm receiving portion of a spices mill of FIG. 1; FIG. 6 is a rear elevational view of the handle and palm receiving portion of a spices mill of FIG. 1; and, FIG. 7 is a bottom view of the handle and palm receiving portion of a spices mill of FIG. 1. The broken lines shown in FIGS. 1–7 are for illustrative purposes only and form no part of the claimed design.

(56) **References Cited**

U.S. PATENT DOCUMENTS

4,374,574 A	2/1983	David
4,697,749 A	10/1987	Holcomb et al.
D301,957 S	7/1989	David
5,082,190 A	1/1992	Chen
D370,160 S	5/1996	Holcomb et al.
D453,096 S	1/2002	Stewart et al.
D504,278 S	4/2005	Tardif

1 Claim, 3 Drawing Sheets



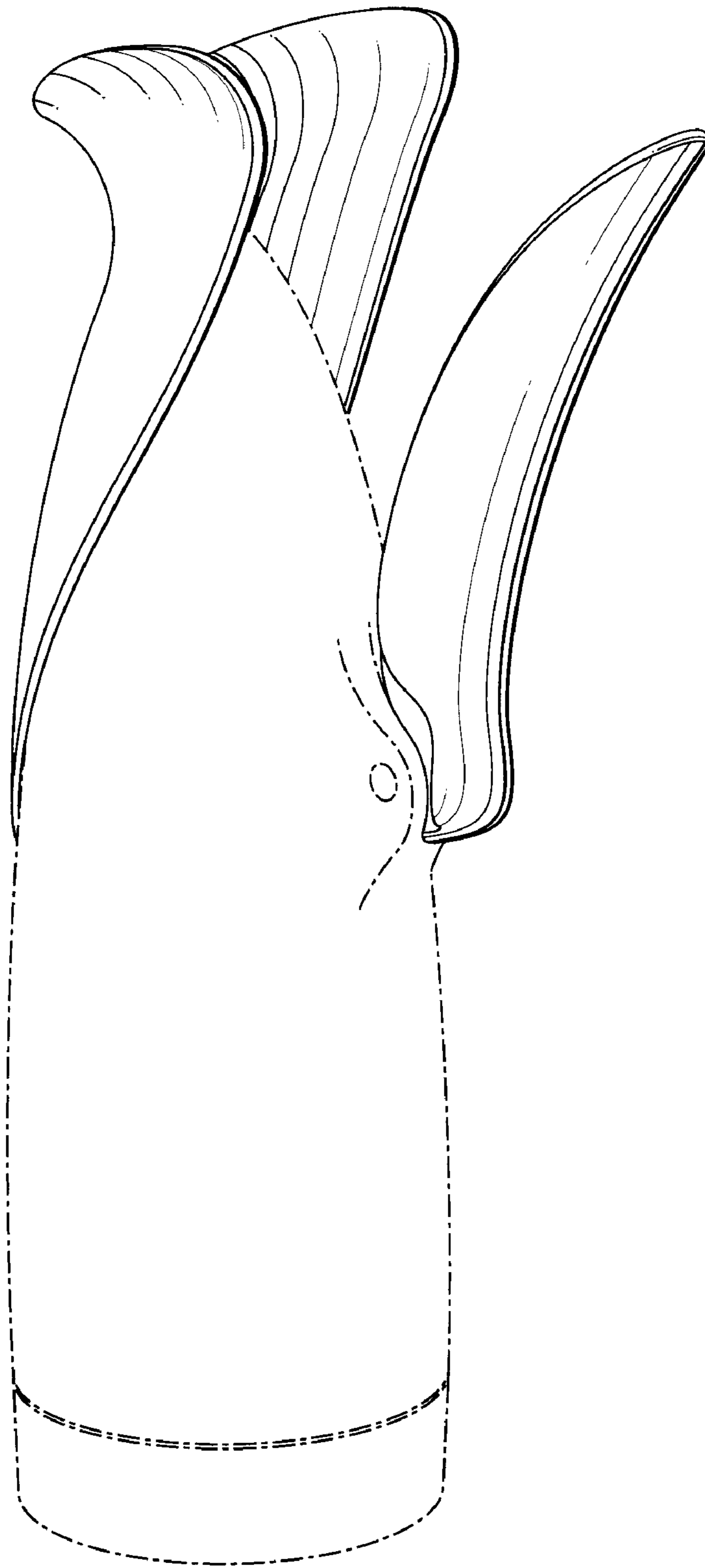


FIG. 1

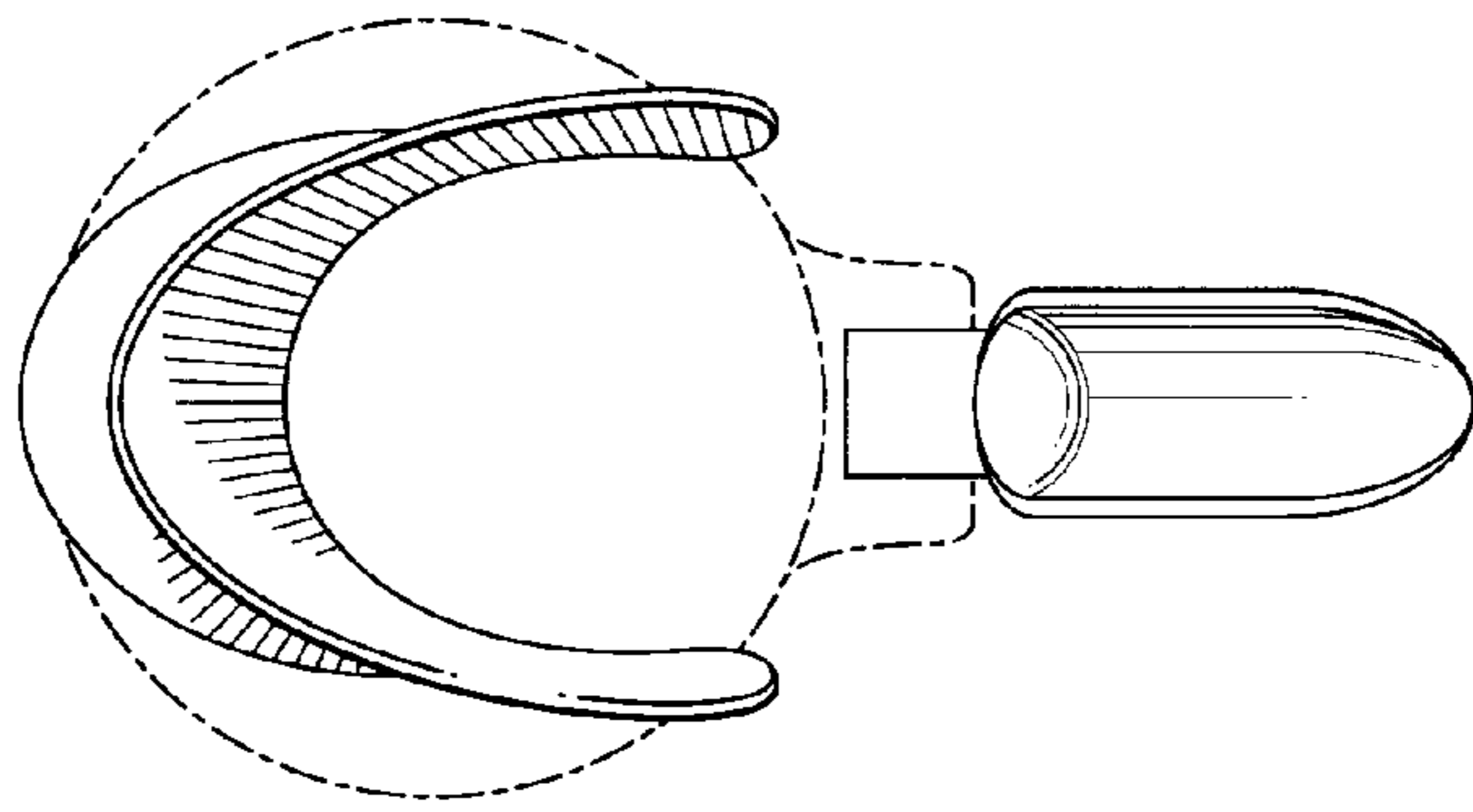


FIG. 4

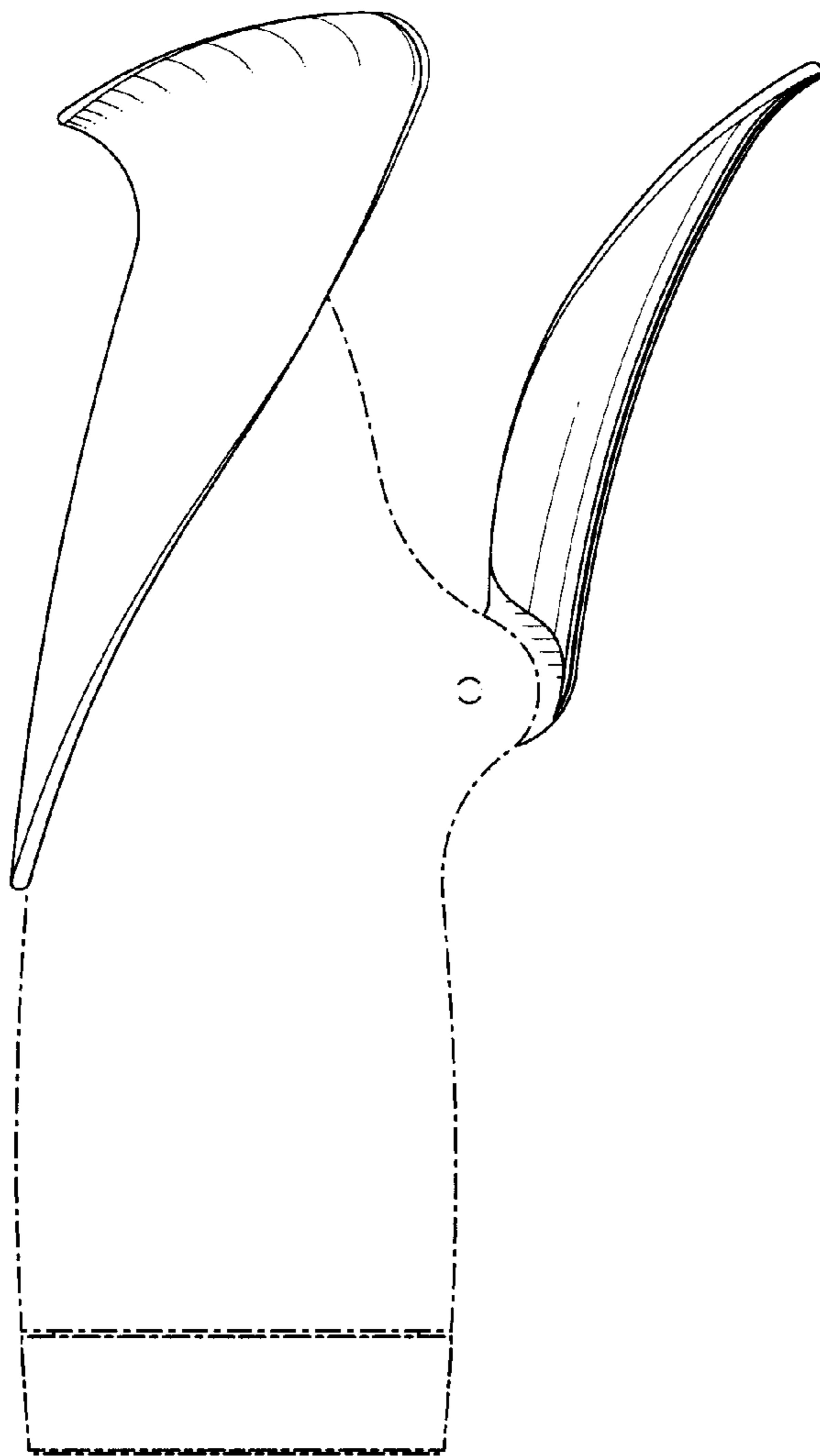


FIG. 2

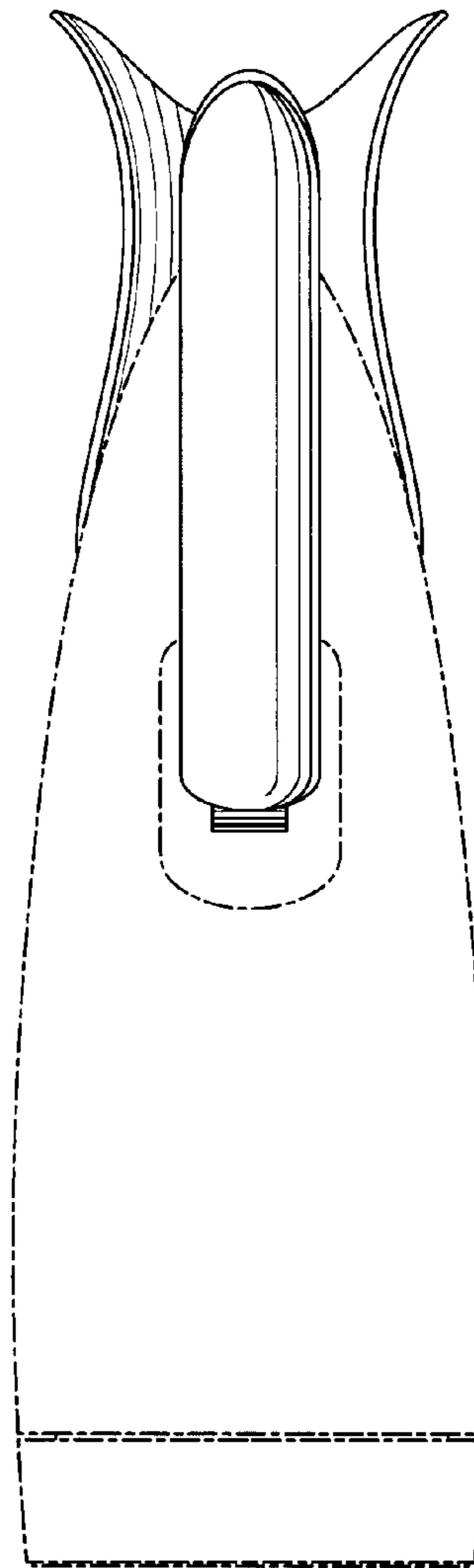


FIG. 3

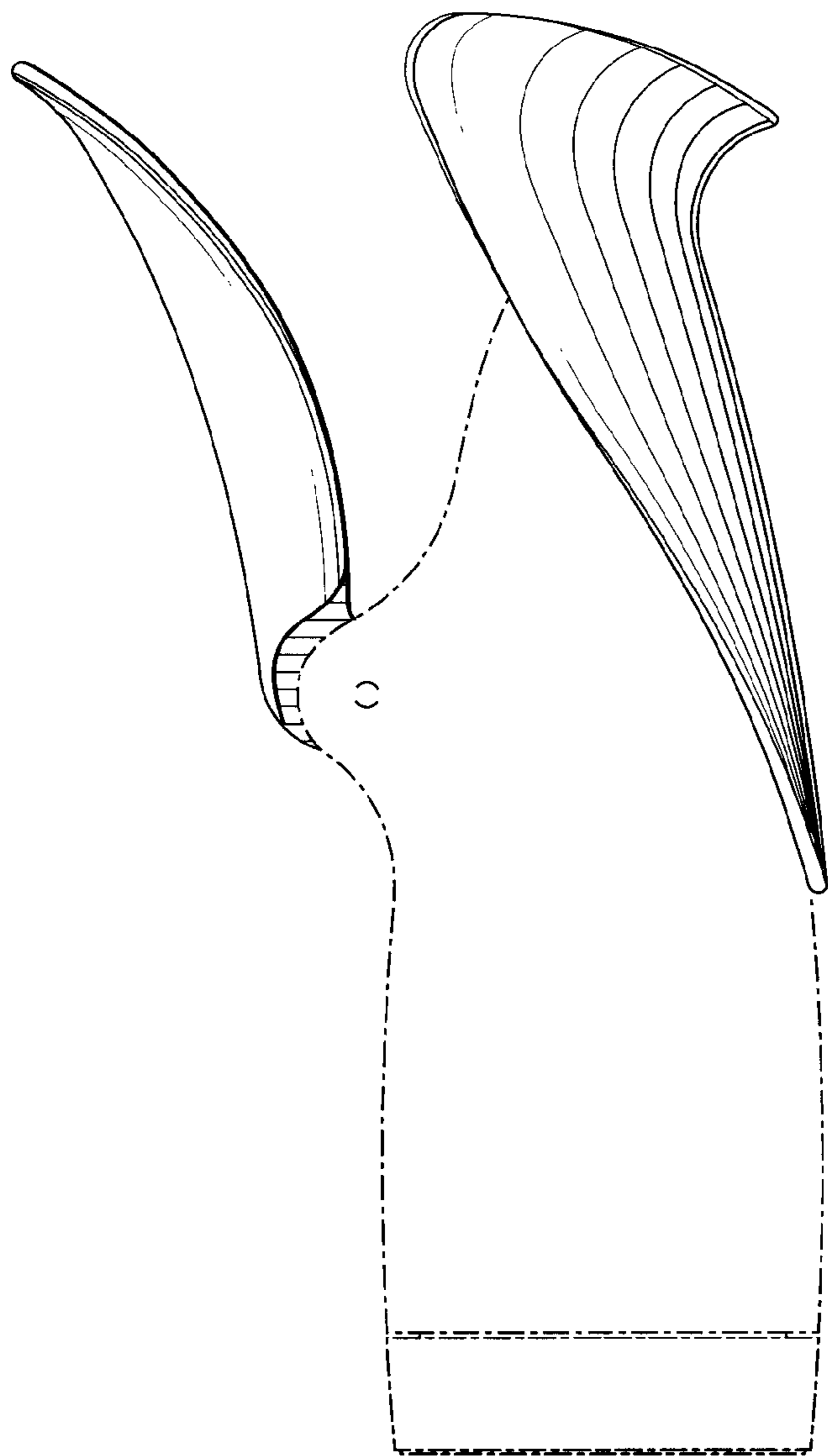


FIG. 5

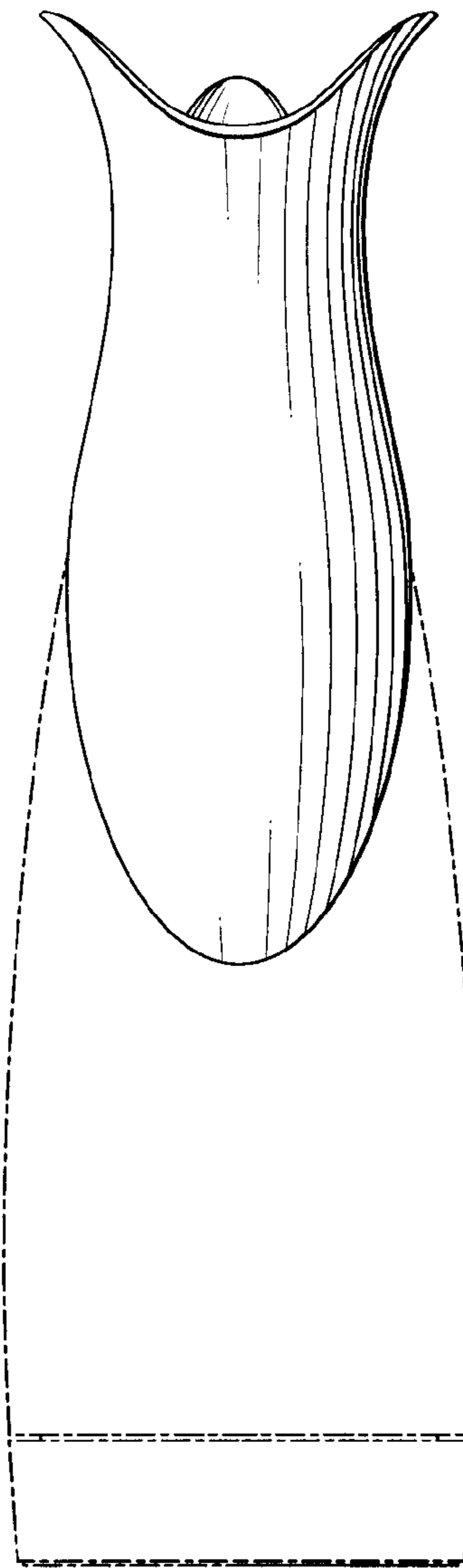


FIG. 6

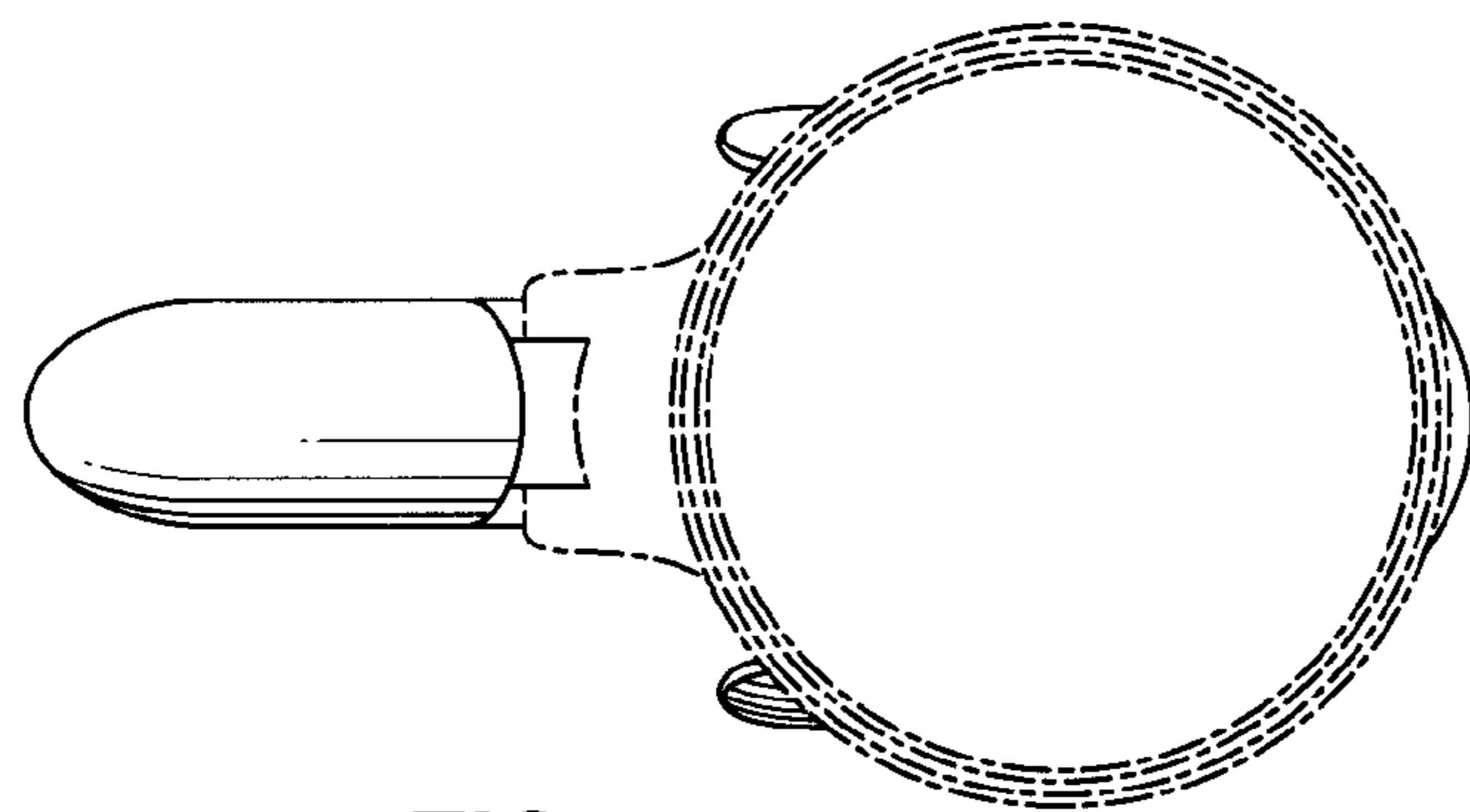


FIG. 7