



US00D526532S

(12) **United States Design Patent**
Munari

(10) **Patent No.:** **US D526,532 S**

(45) **Date of Patent:** **** Aug. 15, 2006**

(54) **SAUCEPAN HANDLE**

(75) **Inventor:** **Marco Munari**, Cardano Al Campo (IT)

(73) **Assignee:** **La Ter Moplastic F.B.M. S.r.l.**, Arsago Seprio (IT)

(**) **Term:** **14 Years**

(21) **Appl. No.:** **29/224,071**

(22) **Filed:** **Feb. 24, 2005**

(30) **Foreign Application Priority Data**

Aug. 26, 2004 (EM) 000220777

(51) **LOC (8) Cl.** **07-02**

(52) **U.S. Cl.** **D7/395**

(58) **Field of Classification Search** D7/354-361,
D7/393-395, 401.2; D8/107, 307; D4/138,
D4/129; 16/430, 431, 110.1, 407; 220/573.1-573.5,
220/752, 753, 755, 756, 912

See application file for complete search history.

(56) **References Cited**

U.S. PATENT DOCUMENTS

D392,151 S * 3/1998 Munari D7/395

D431,414 S * 10/2000 Munari D7/395
D480,913 S * 10/2003 Hughes D7/395
D481,906 S * 11/2003 Knor D7/395
D483,990 S * 12/2003 Munari D7/395
D490,270 S * 5/2004 Pippel et al. D7/395

* cited by examiner

Primary Examiner—Holly Baynham

Assistant Examiner—Cynthia M. Chin

(74) *Attorney, Agent, or Firm*—Ladas & Parry

(57) **CLAIM**

The ornamental design for a saucepan handle, as shown and described.

DESCRIPTION

FIG. 1 is a bottom plan view of a saucepan handle showing my new design;

FIG. 2 is a left side elevation view of FIG. 1, the right side being a mirror image thereof;

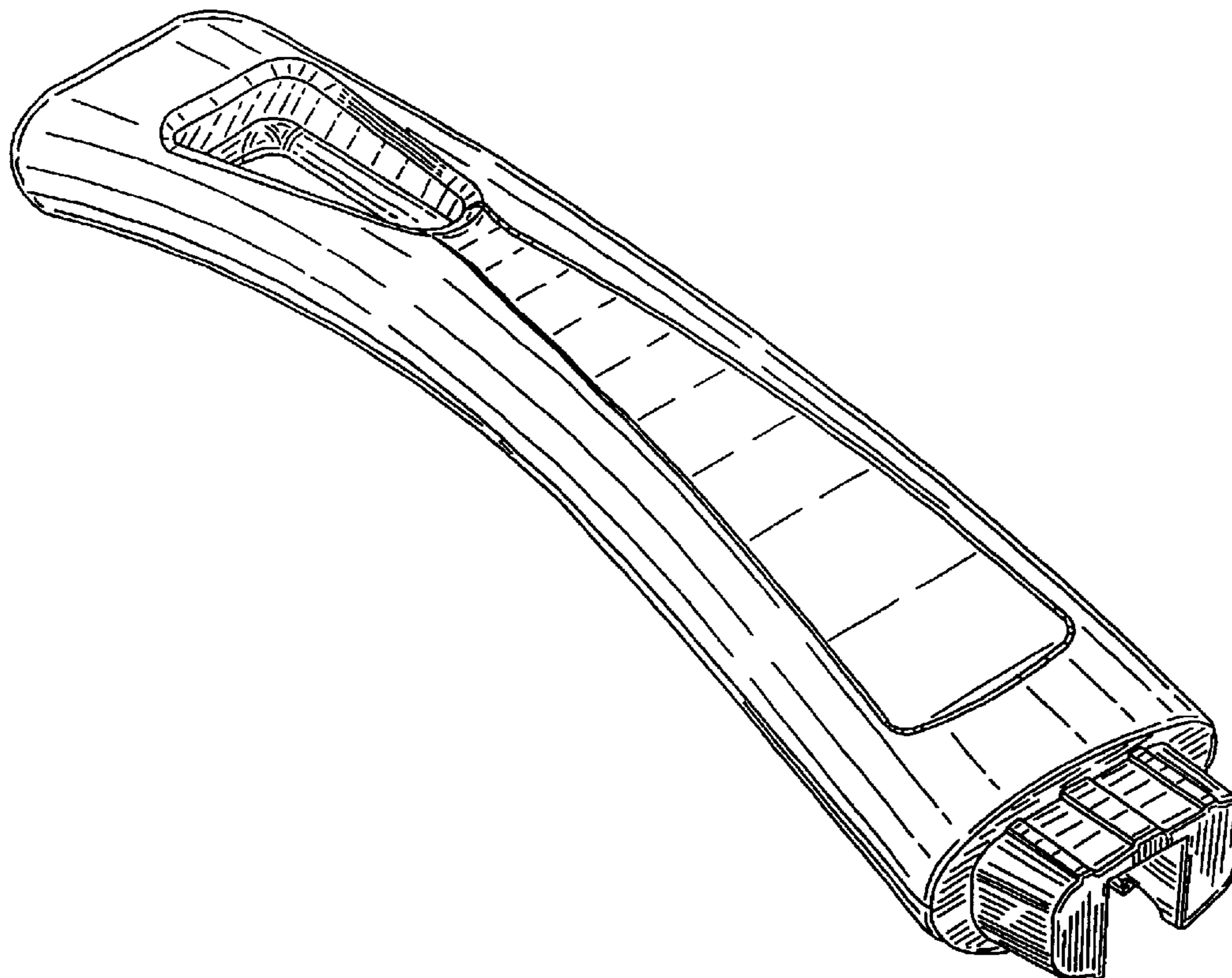
FIG. 3 is a top plan view of FIG. 1;

FIG. 4 is a front elevation view of FIG. 1;

FIG. 5 is a rear elevation view of FIG. 1; and,

FIG. 6 is a top/side perspective view of FIG. 1.

1 Claim, 2 Drawing Sheets



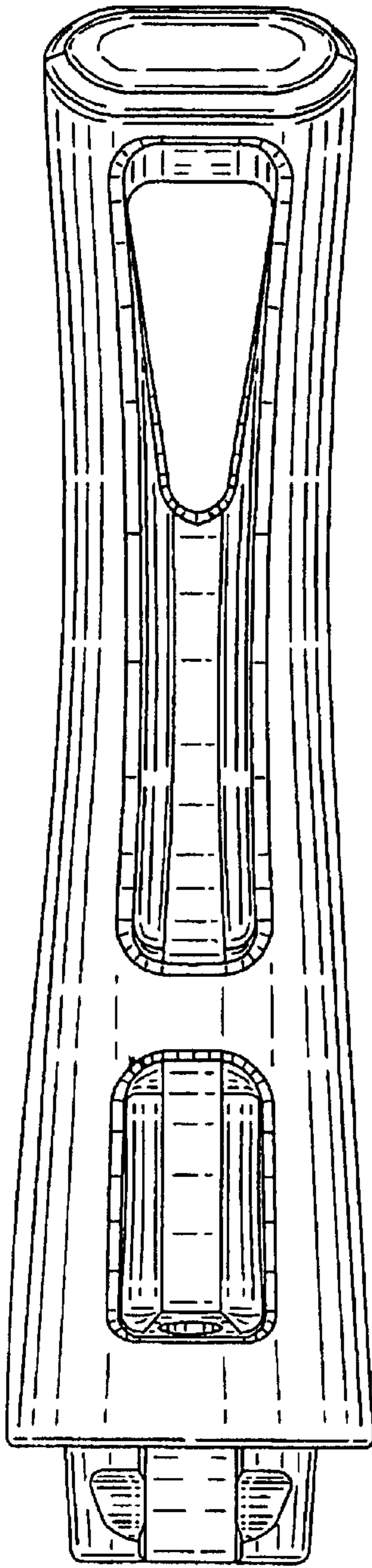


FIG. 1

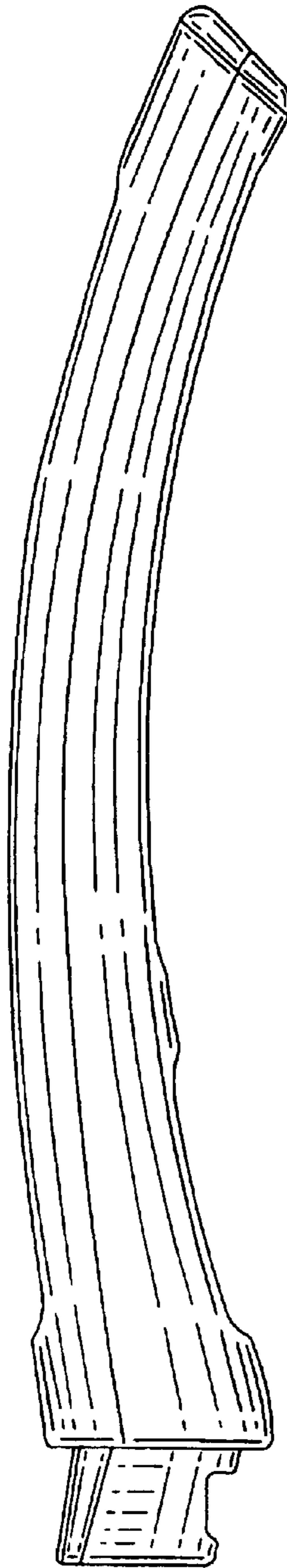


FIG. 2

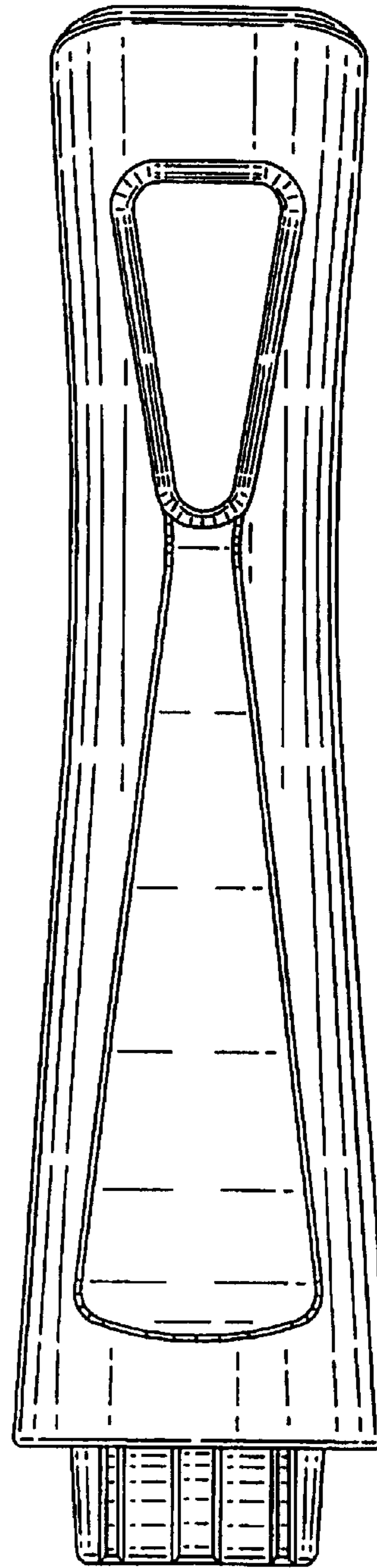


FIG. 3

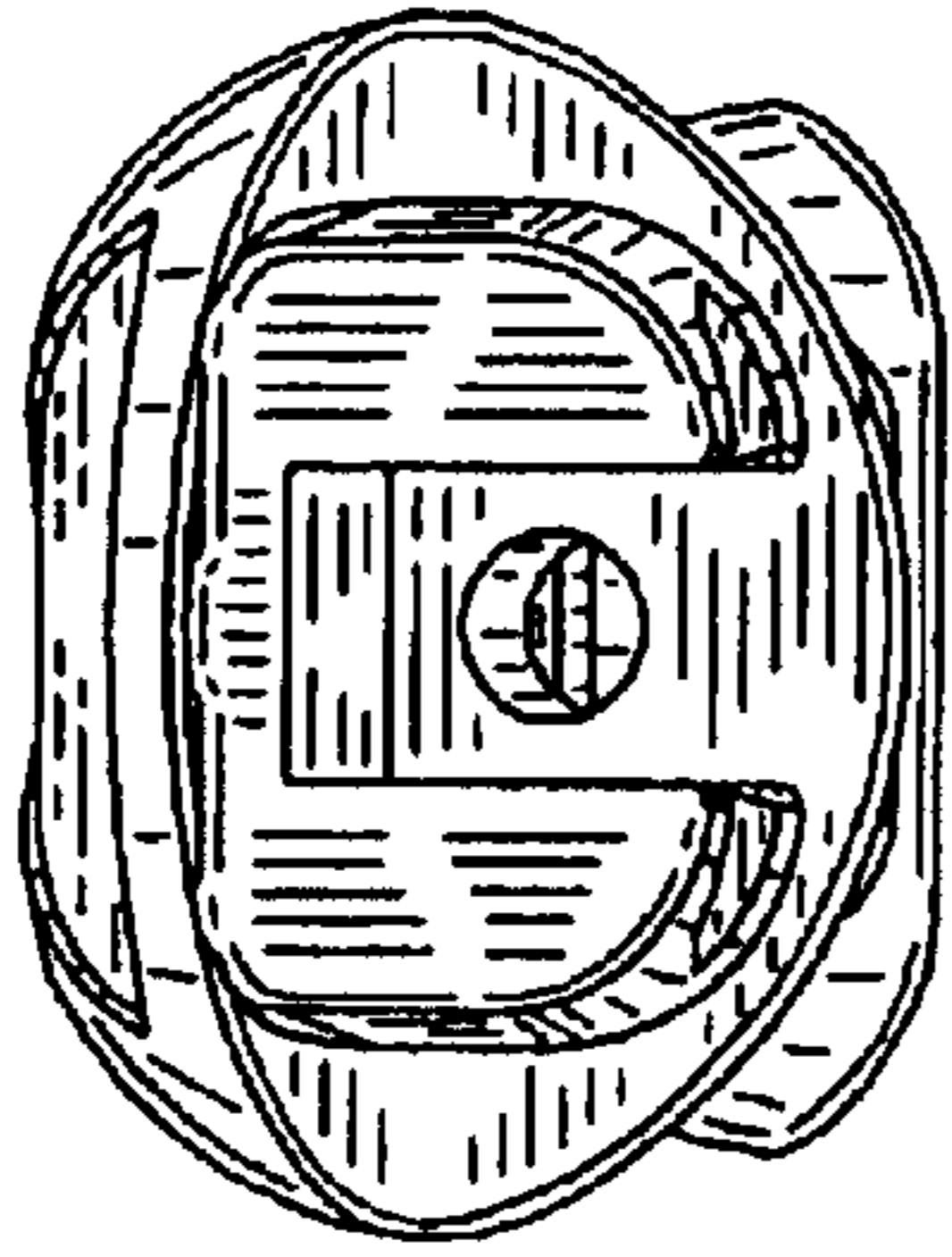


FIG. 5

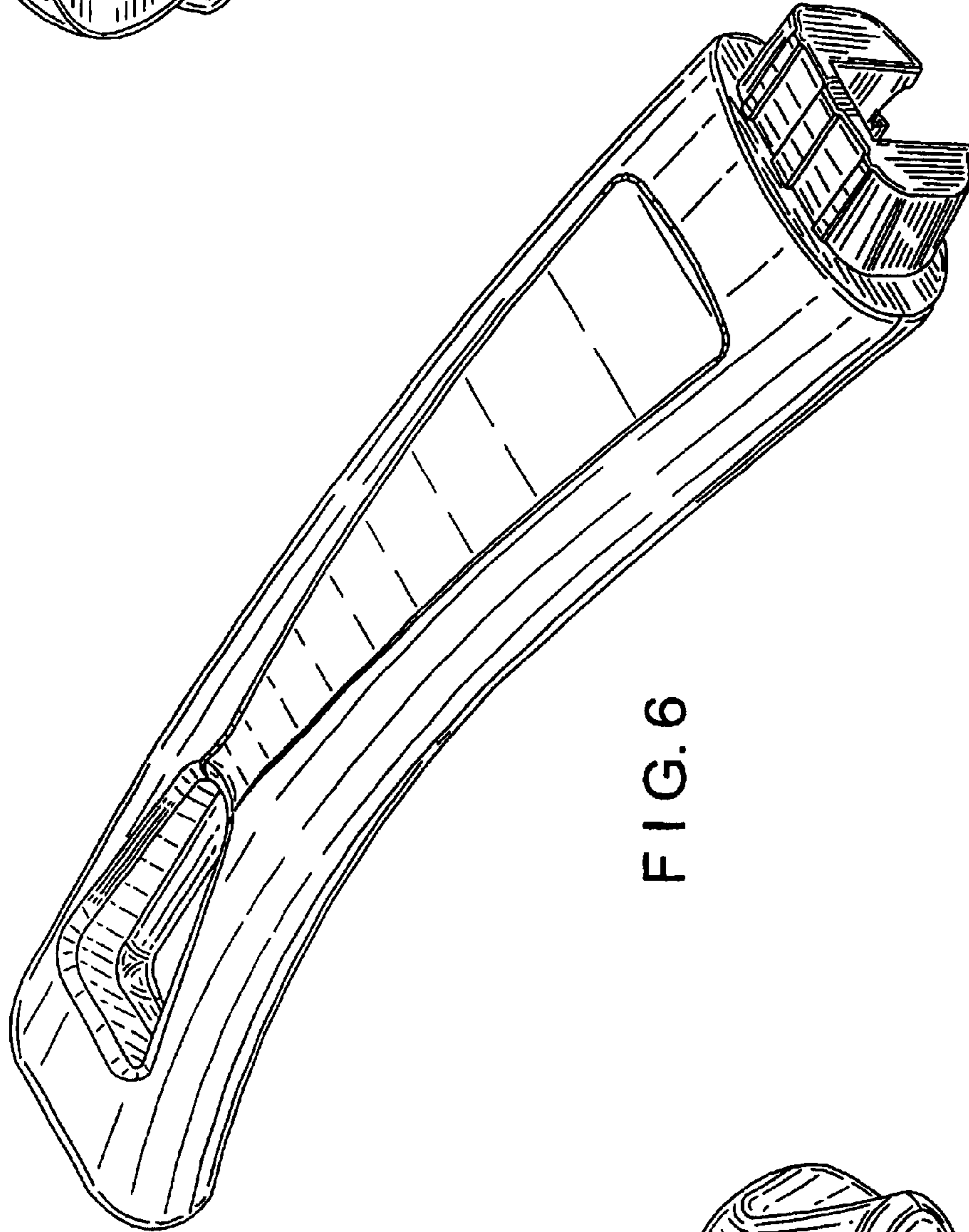


FIG. 6

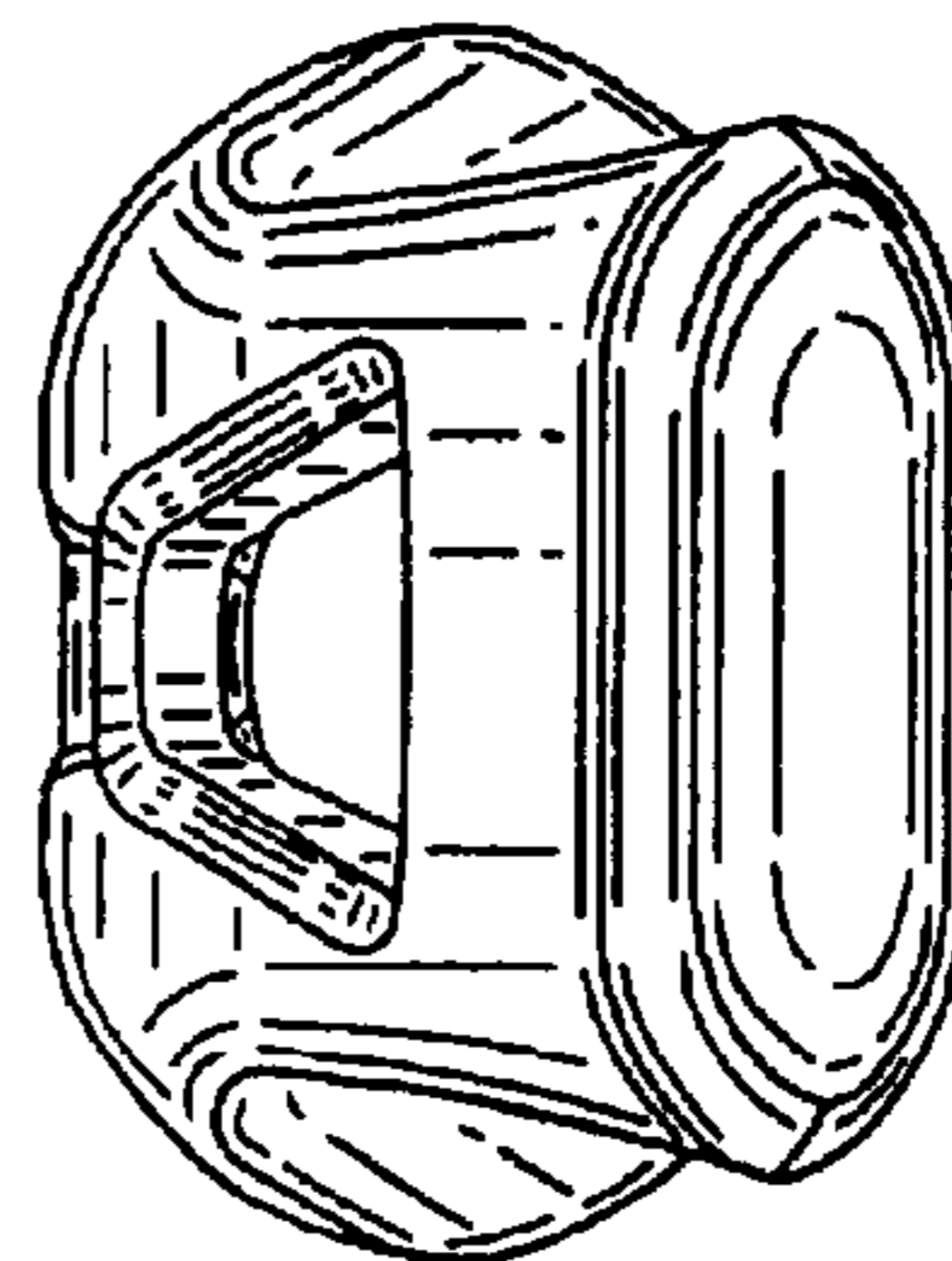


FIG. 4