



US00D526531S

(12) **United States Design Patent** (10) **Patent No.:** **US D526,531 S**
Drees et al. (45) **Date of Patent:** **** Aug. 15, 2006**

(54) **BLENDER**

(75) Inventors: **Steve C. Drees**, Stevensville, MI (US);
Jeremy T. Wolters, Stevensville, MI
(US); **John B. Ledingham**, St. Joseph,
MI (US)

(73) Assignee: **Whirlpool Corporation**, Benton
Harbor, MI (US)

(**) Term: **14 Years**

(21) Appl. No.: **29/225,628**

(22) Filed: **Mar. 18, 2005**

(51) **LOC (8) Cl.** **31-00**

(52) **U.S. Cl.** **D7/378**

(58) **Field of Classification Search** D7/306,
D7/309, 311, 376-386, 412, 413, 415, 509,
D7/523, 529, 530; 99/348, 509-511; 241/30,
241/33, 37.5, 101.01, 101.1, 101.2, 282.2,
241/285.1, 285.2, 301; 366/64, 65, 129, 197-214,
366/219, 241-254, 314, 341, 349

See application file for complete search history.

(56) **References Cited**

U.S. PATENT DOCUMENTS

D169,373 S	*	4/1953	Iannelli	D7/413
D198,303 S	*	5/1964	Dewenter	D7/413
D218,583 S	*	9/1970	Gilson	D7/378
D220,416 S	*	4/1971	Folden	D7/413
D309,548 S	*	7/1990	McCloskey	D7/378
D339,715 S	*	9/1993	Barrault	D7/378
D347,144 S	*	5/1994	Brady	D7/413
D347,966 S	*	6/1994	Doggett	D7/378
D386,357 S	*	11/1997	Davidson	D17/413

D387,948 S	*	12/1997	Leverrier	D7/378
D389,696 S	*	1/1998	Feil	D7/386
D390,416 S	*	2/1998	Hippen et al.	D7/413
D396,990 S	*	8/1998	Leverrier	D7/378
D400,757 S	*	11/1998	Hippen et al.	D7/378
D404,247 S	*	1/1999	Spagnolo	D7/378
D404,606 S	*	1/1999	Huang	D7/378
D404,607 S	*	1/1999	Huang	D7/378
D436,288 S	*	1/2001	Thackray	D7/386
D437,728 S	*	2/2001	Thackray	D7/386
D444,995 S	*	7/2001	Thackray	D7/386
D451,756 S	*	12/2001	Deros et al.	D7/378
D484,357 S	*	12/2003	Seum et al.	D7/378

* cited by examiner

Primary Examiner—Caron D. Veynar

Assistant Examiner—Ricky Pham

(74) *Attorney, Agent, or Firm*—Clifton G. Green; Robert O. Rice; John F. Colligan

(57) **CLAIM**

We are claiming the ornamental design for a blender, as shown and described.

DESCRIPTION

FIG. 1 is a front perspective view of a blender showing our new design;

FIG. 2 is a front elevational view thereof;

FIG. 3 is a rear elevational view thereof;

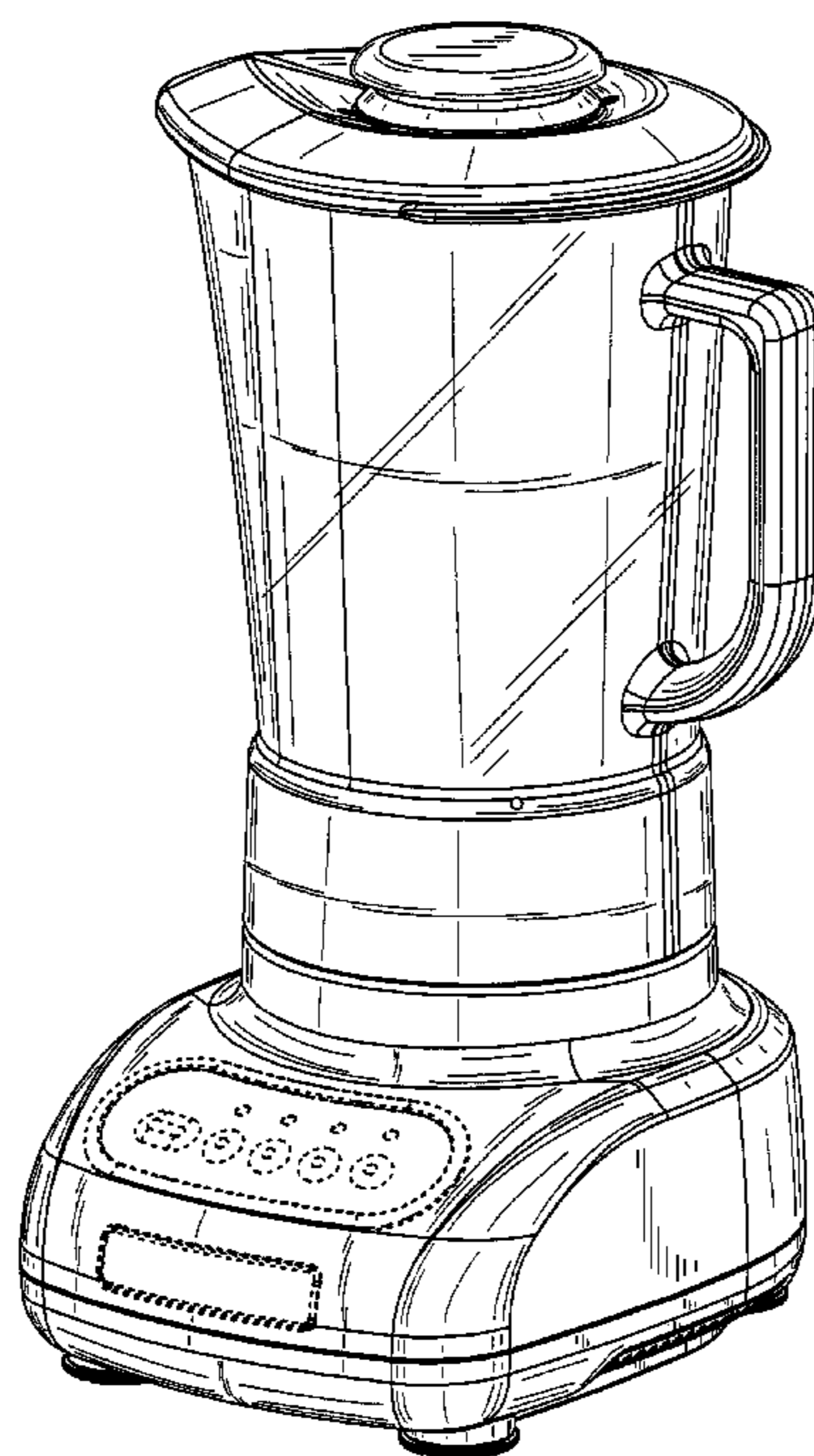
FIG. 4 is a left side elevational view thereof;

FIG. 5 is a right side elevational view thereof; and,

FIG. 6 is a top plan view thereof.

The portion shown in broken lines is for illustration purposes only and forms no part of the claimed design.

1 Claim, 6 Drawing Sheets



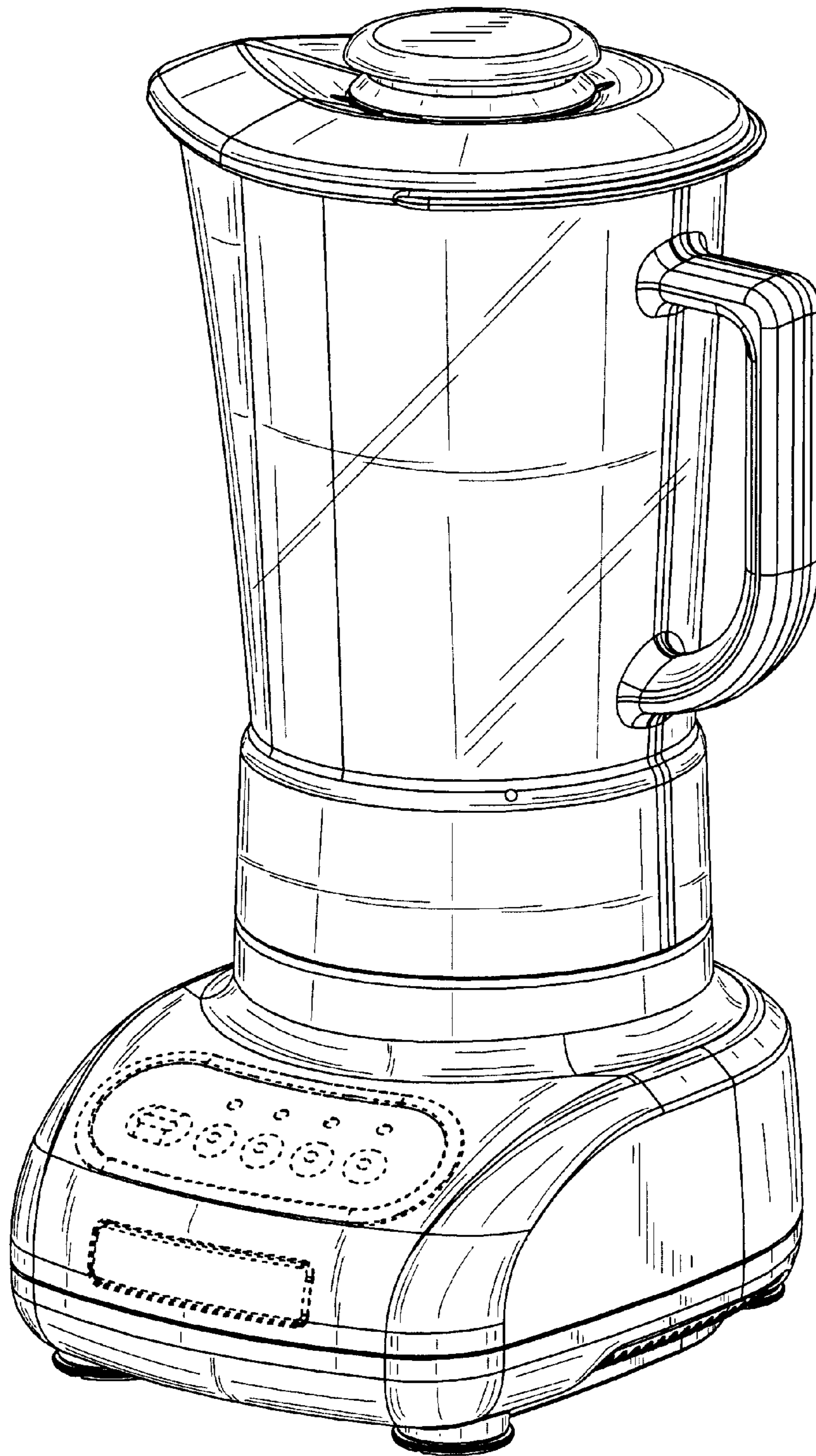


Fig. 1

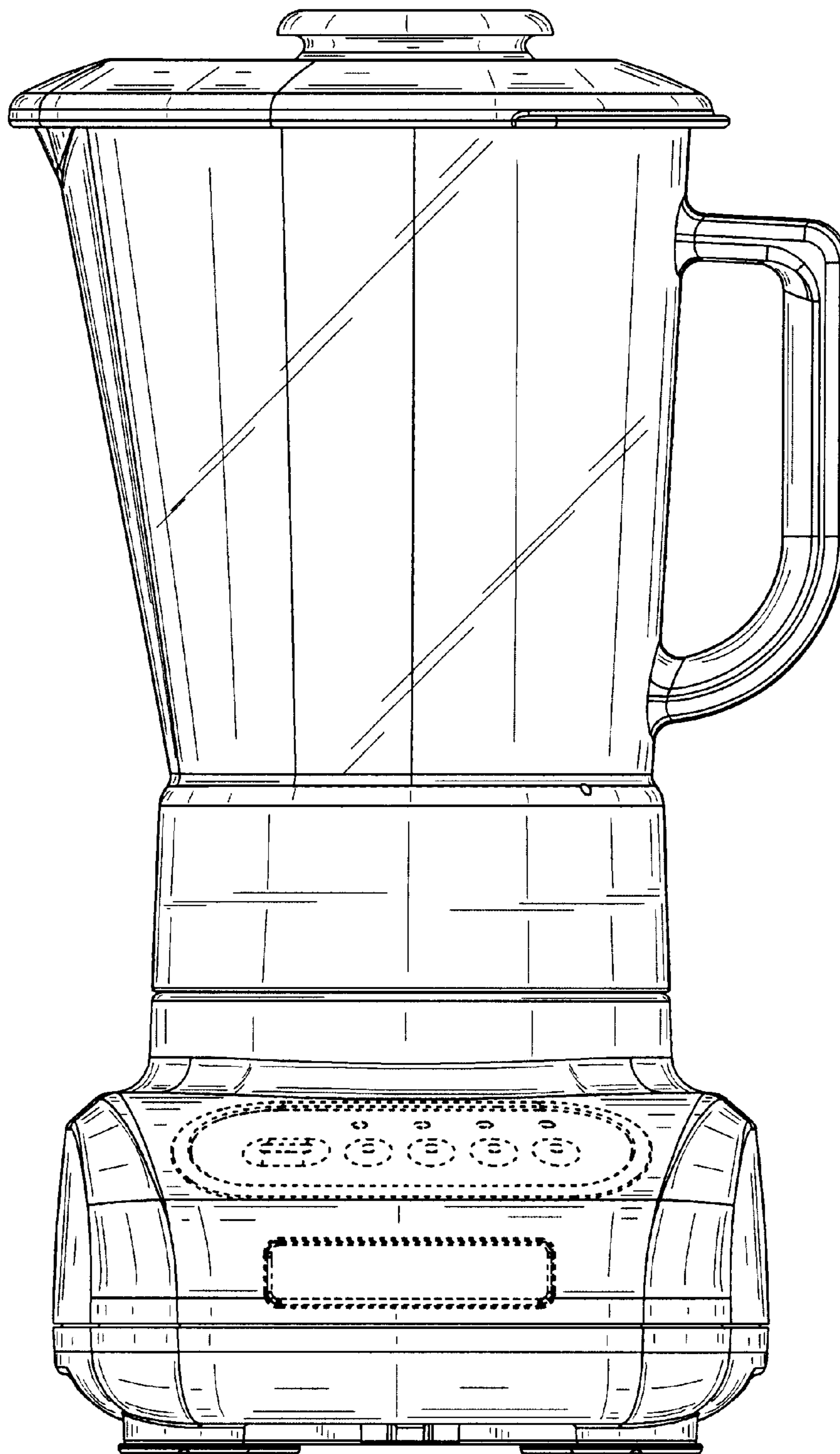


Fig. 2

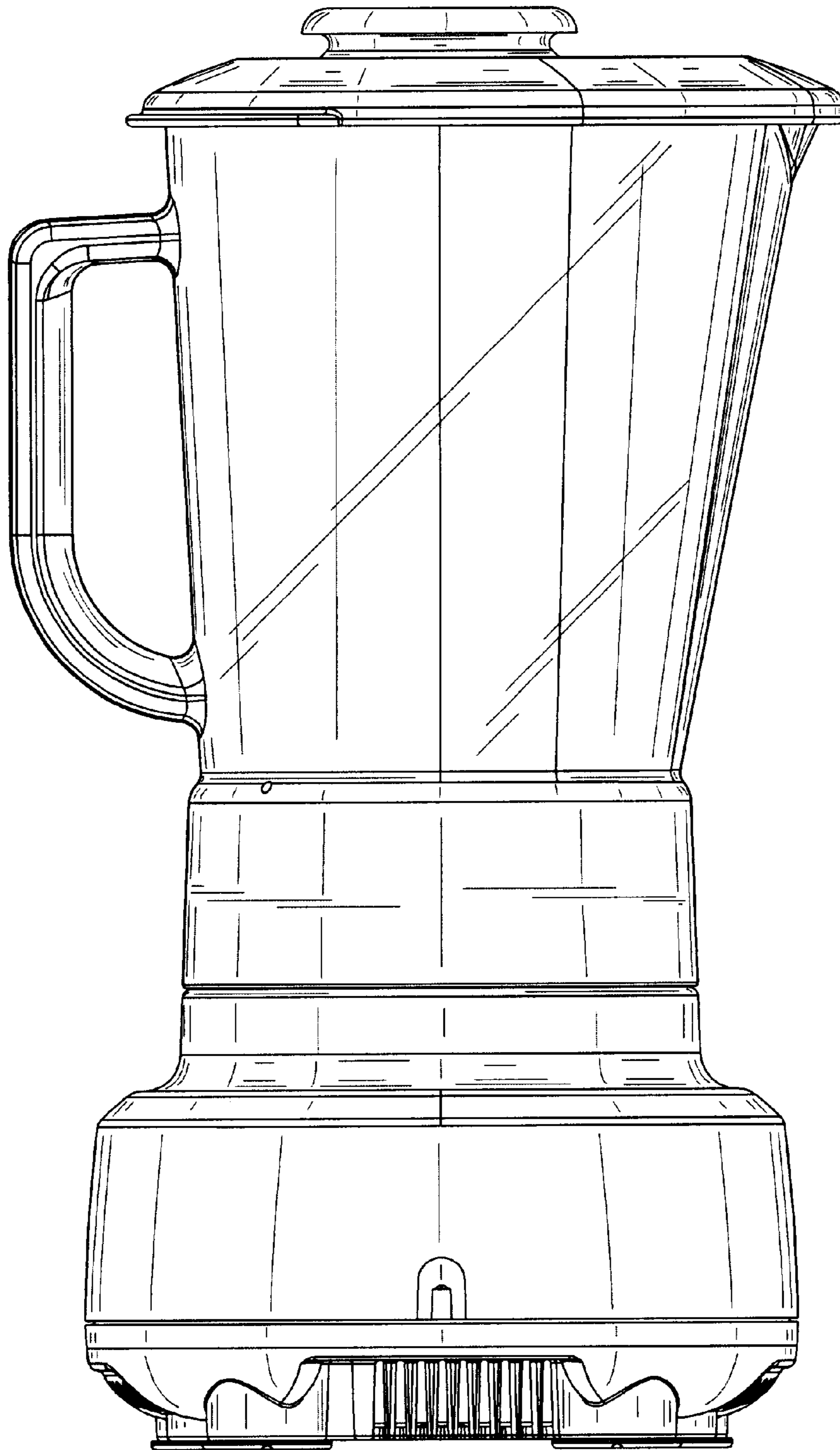


Fig. 3

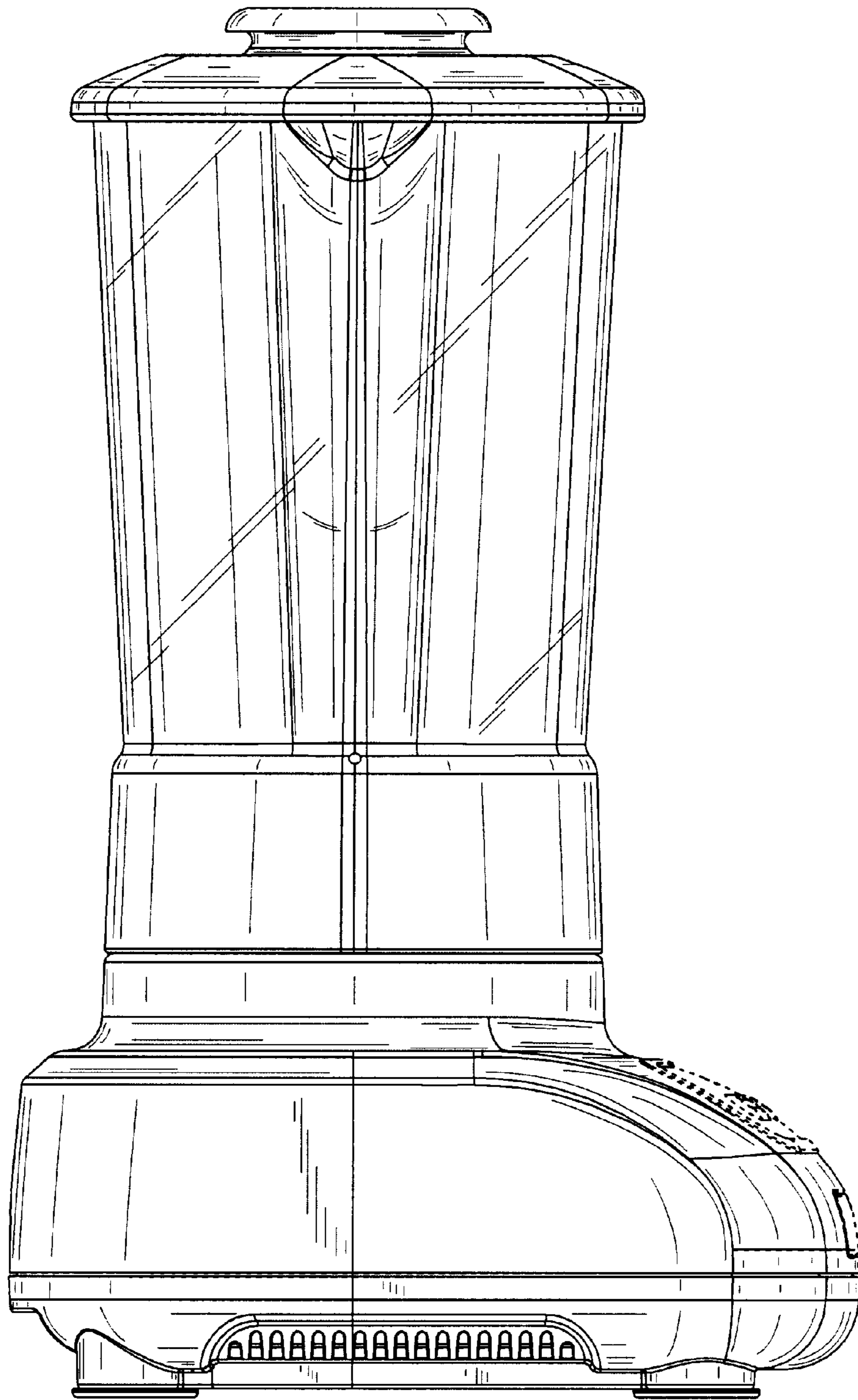


Fig. 4

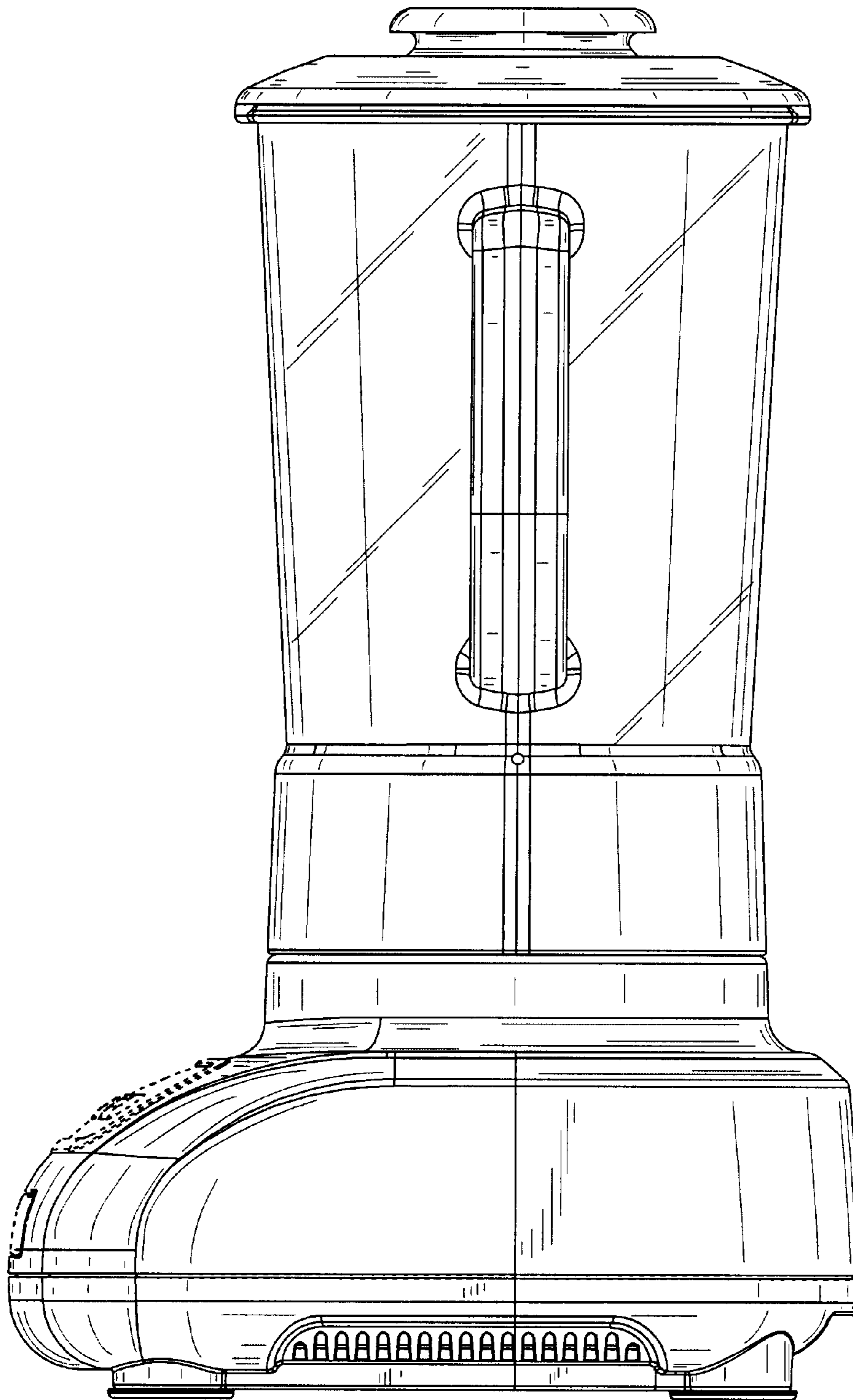


Fig. 5

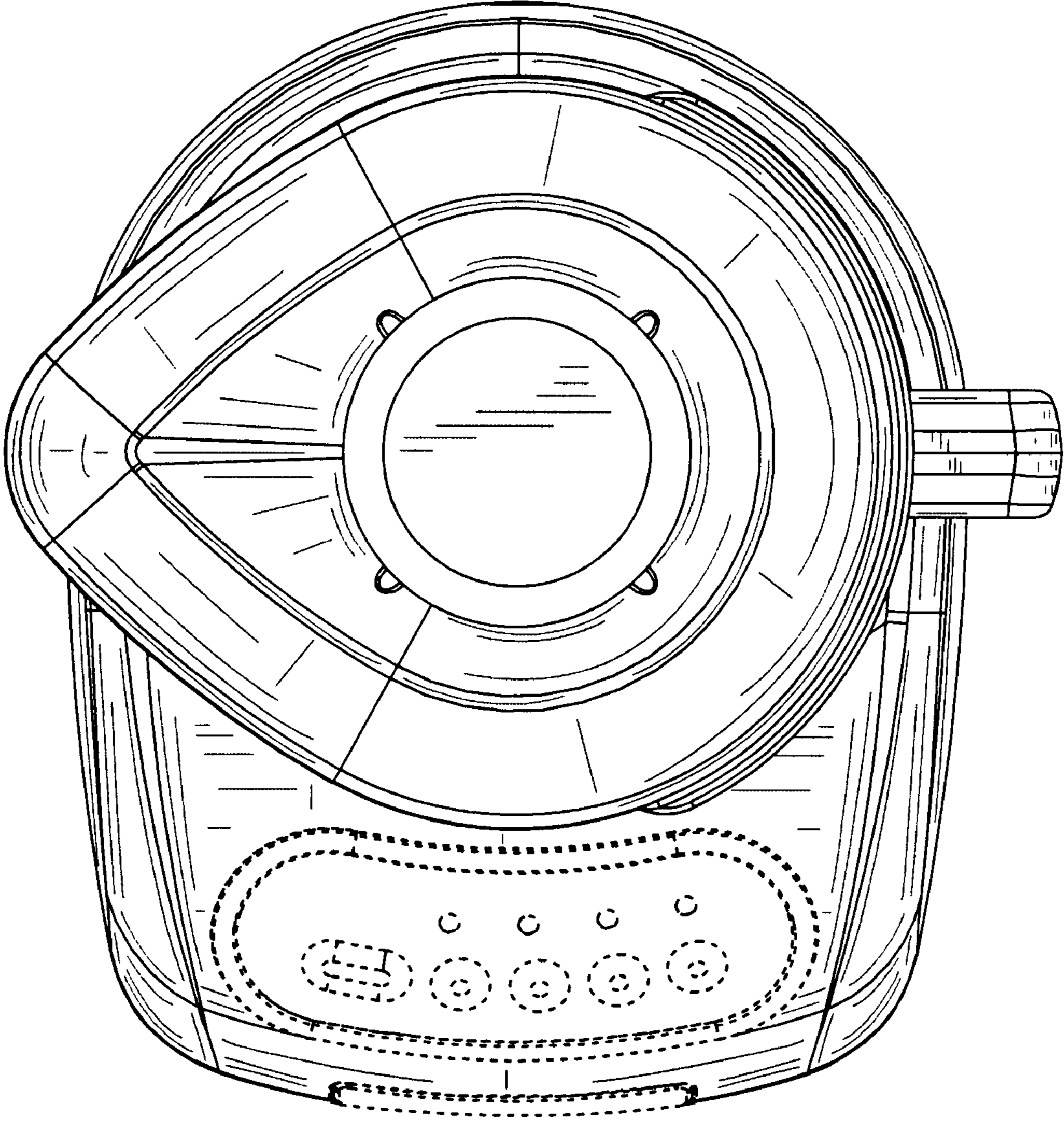


Fig. 6