



US00D526530S

(12) **United States Design Patent**
Abrams

(10) **Patent No.:** **US D526,530 S**

(45) **Date of Patent:** **** Aug. 15, 2006**

(54) **EGG FRY PAN**

(76) Inventor: **Harold Abrams**, 6700 Thimes,
Montreal, Quebec (CA), H4S 1S5

(**) Term: **14 Years**

(21) Appl. No.: **29/224,210**

(22) Filed: **Jul. 25, 2005**

(51) **LOC (8) Cl.** **07-02**

(52) **U.S. Cl.** **D7/361**

(58) **Field of Classification Search** D7/323,
D7/354-361, 391, 393-396, 500; 99/140 R,
99/324, 339, 345, 422, 424, 426, 445; 219/620-622,
219/725-730; 220/573.1-574, 912; 222/146,
222/572

See application file for complete search history.

(56) **References Cited**

U.S. PATENT DOCUMENTS

- D175,713 S * 10/1955 Cunningham D7/361
- D236,415 S * 8/1975 Cyren D7/361
- D287,611 S * 1/1987 Sato D21/653
- 5,121,848 A * 6/1992 Waligorski 220/755
- D352,862 S * 11/1994 Hollinger D7/303
- D366,181 S * 1/1996 Rossiaud D7/361
- 5,502,981 A * 4/1996 Sullivan 62/372
- D377,438 S * 1/1997 Brunianyn D7/361
- D390,758 S * 2/1998 Henry et al. D7/681

- D431,425 S * 10/2000 Piasecki D7/676
- D451,272 S * 12/2001 McFarlin D3/202
- D453,092 S * 1/2002 Coudurier D7/361
- D470,358 S * 2/2003 Wellner D7/361
- D470,716 S * 2/2003 Kloppsteck D7/361
- D475,254 S * 6/2003 Abrams D7/690
- D482,563 S * 11/2003 Candianides D7/361
- D499,930 S * 12/2004 Bodum D7/361
- D501,364 S * 2/2005 Tranfaglia et al. D7/543
- D501,365 S * 2/2005 Kellermann et al. D7/546
- D507,719 S * 7/2005 Spagnolo D7/361

* cited by examiner

Primary Examiner—Caron D. Veynar

Assistant Examiner—Ricky Pham

(57) **CLAIM**

The ornamental design for an egg fry pan, as shown and described.

DESCRIPTION

FIG. 1 is a top plan view of an egg fry pan showing my new design;

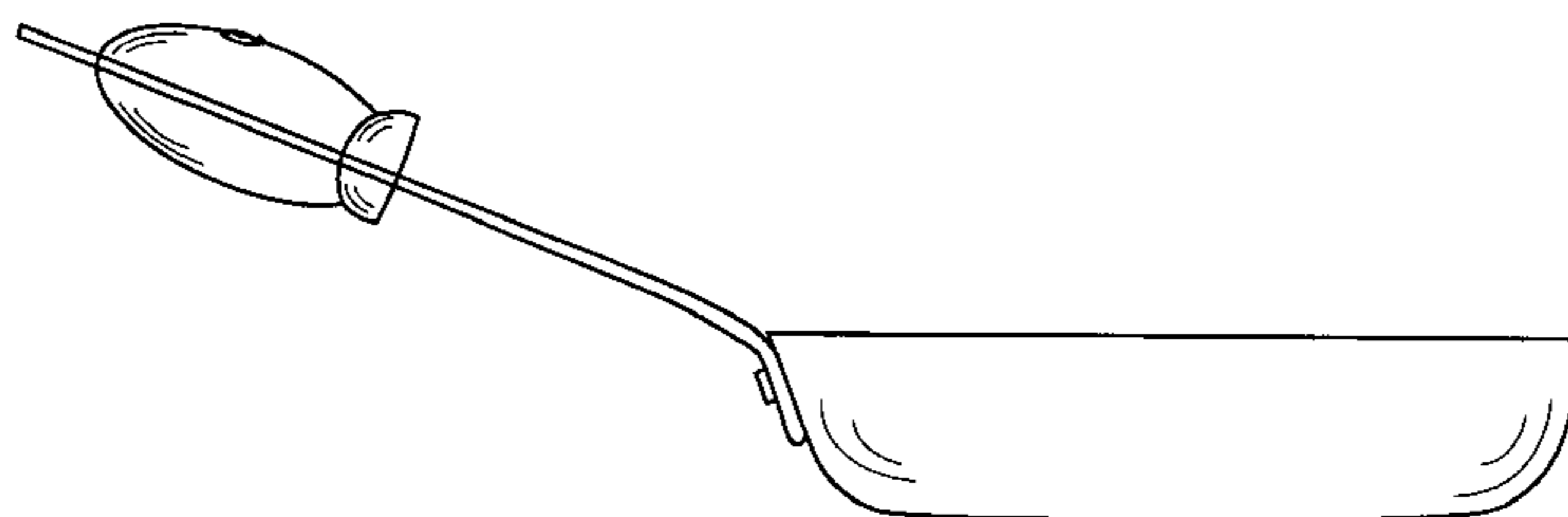
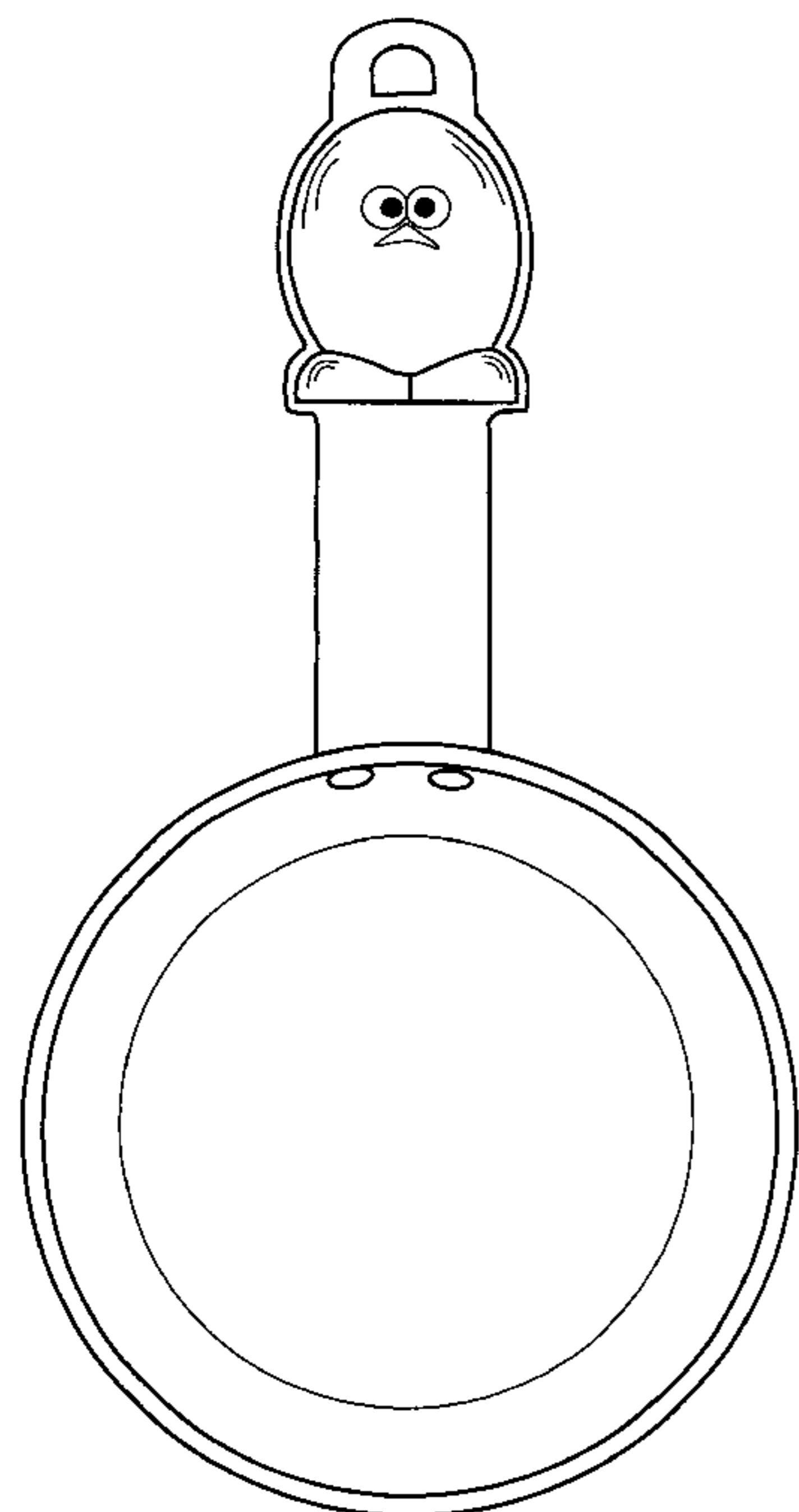
FIG. 2—is a left side elevational view thereof, the right side being a mirror image.

FIG. 3—is a rear elevational view thereof.

FIG. 4 is a bottom plan view thereof; and,

FIG. 5 is a front elevational view.

1 Claim, 3 Drawing Sheets



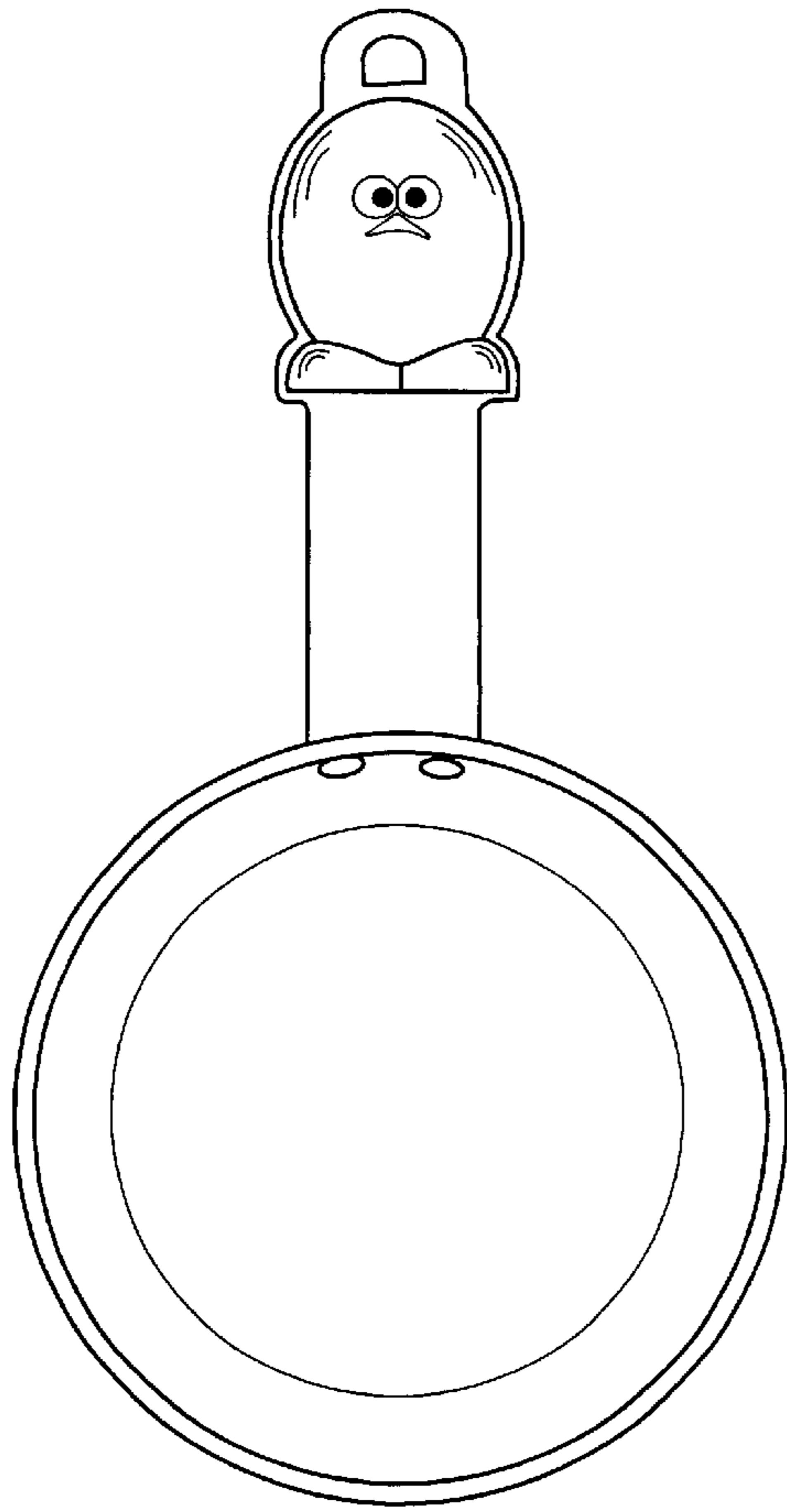


Fig. 1

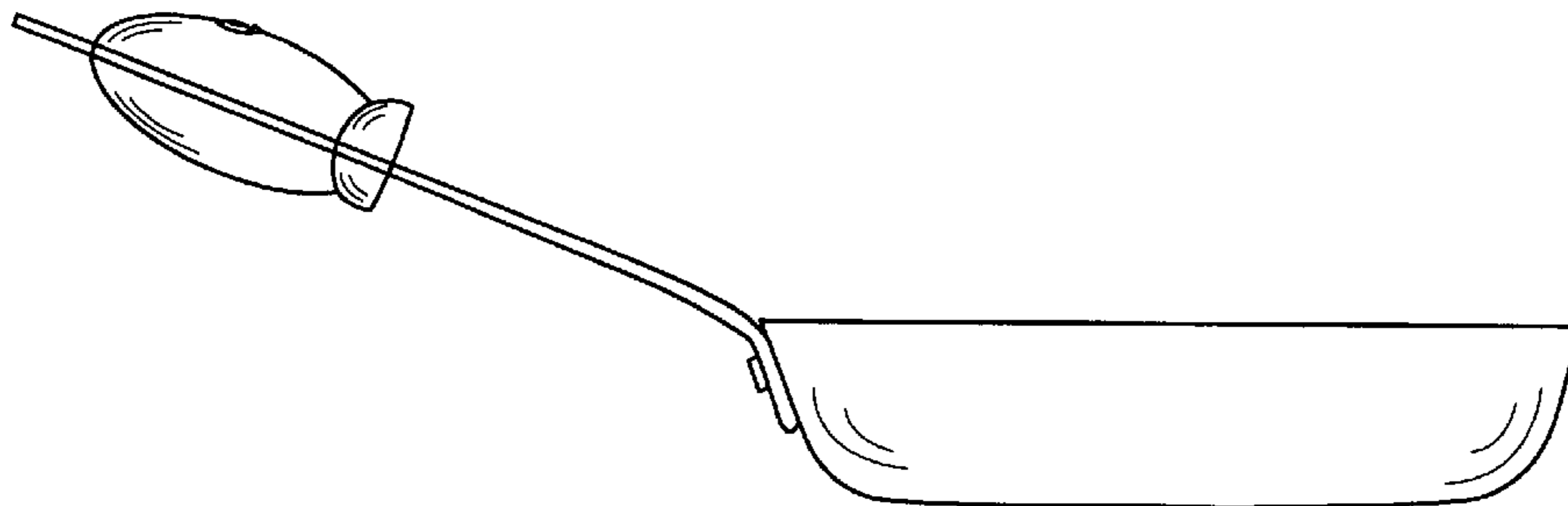


Fig. 2

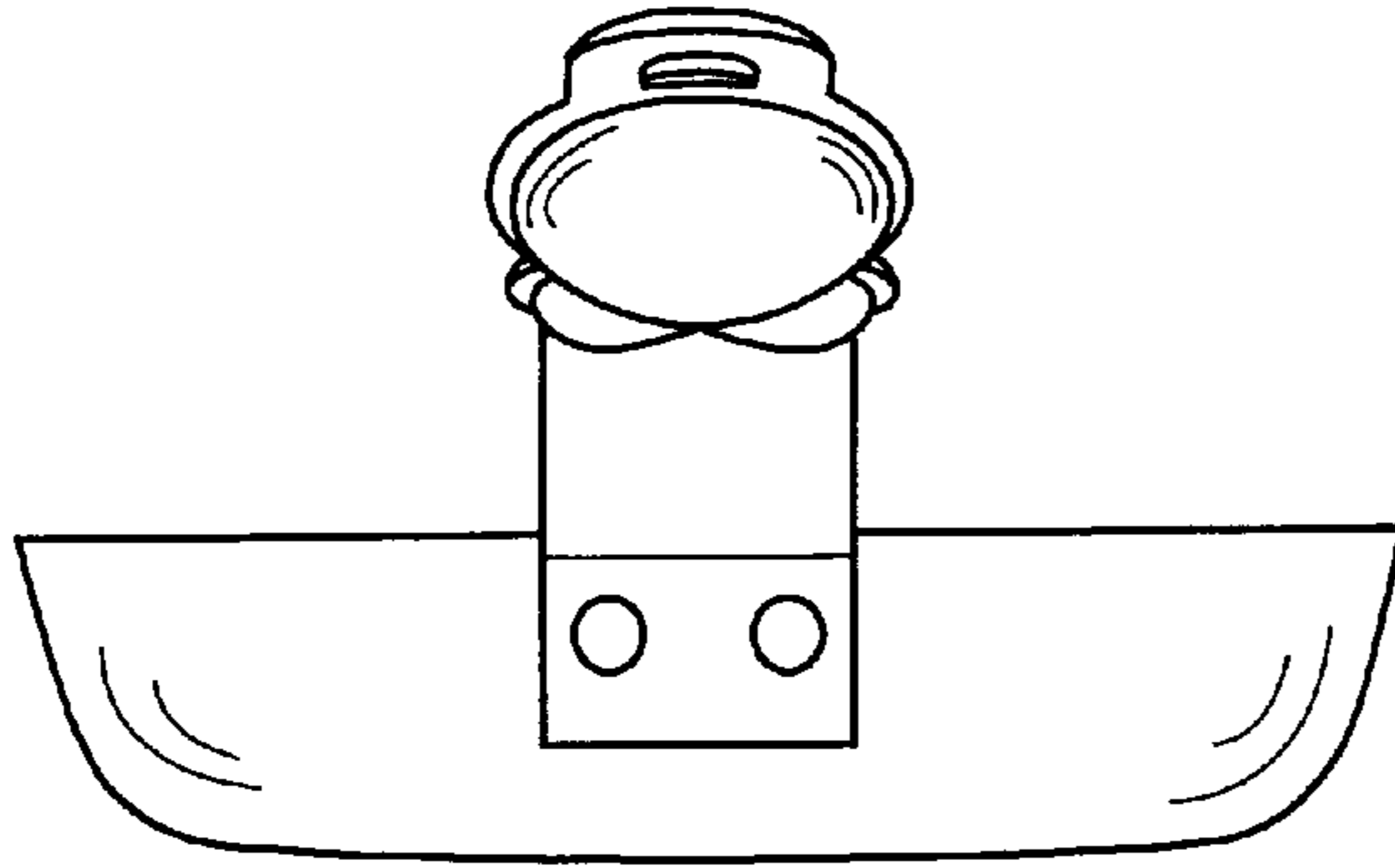


Fig.3

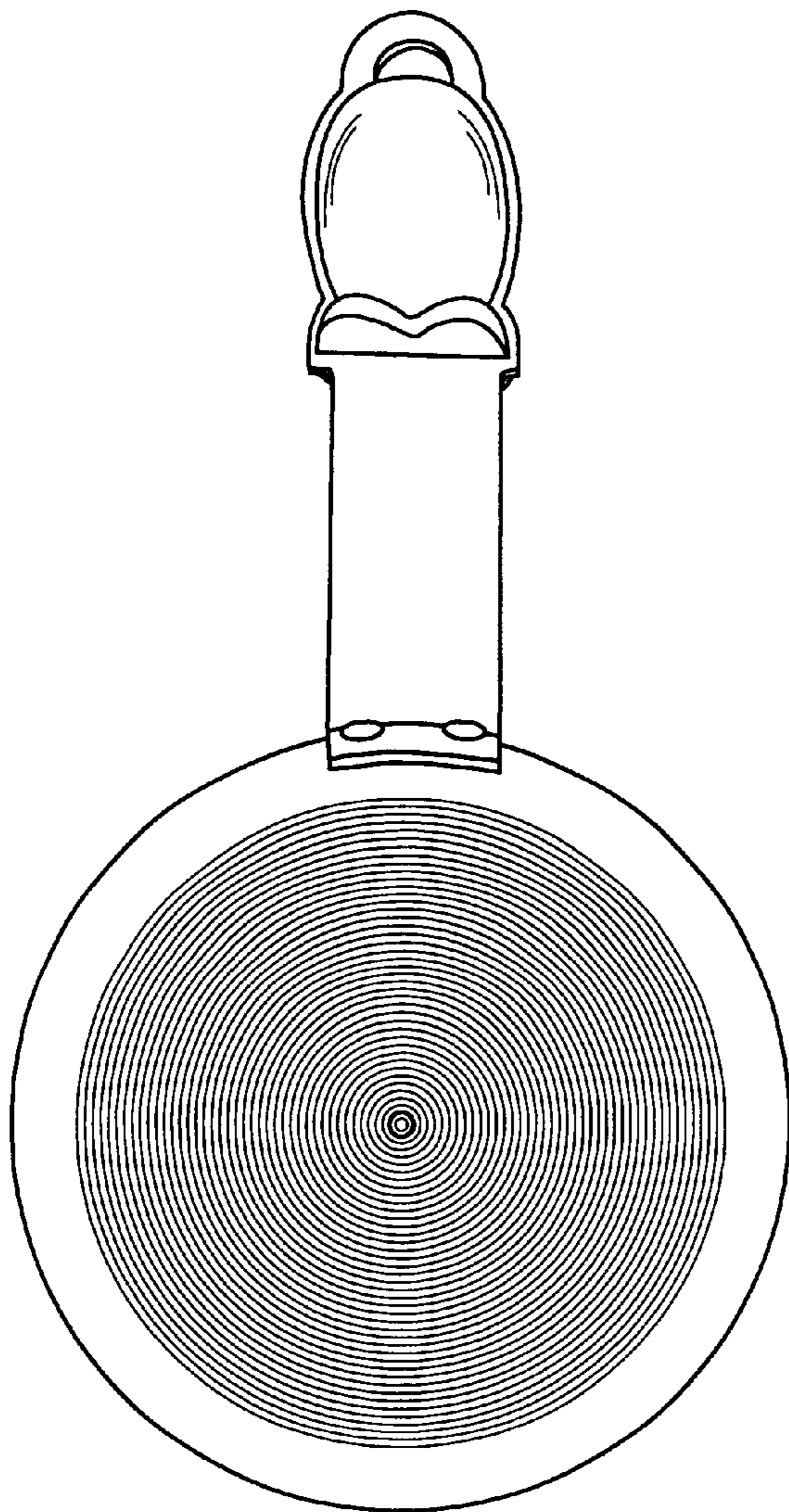


Fig.4

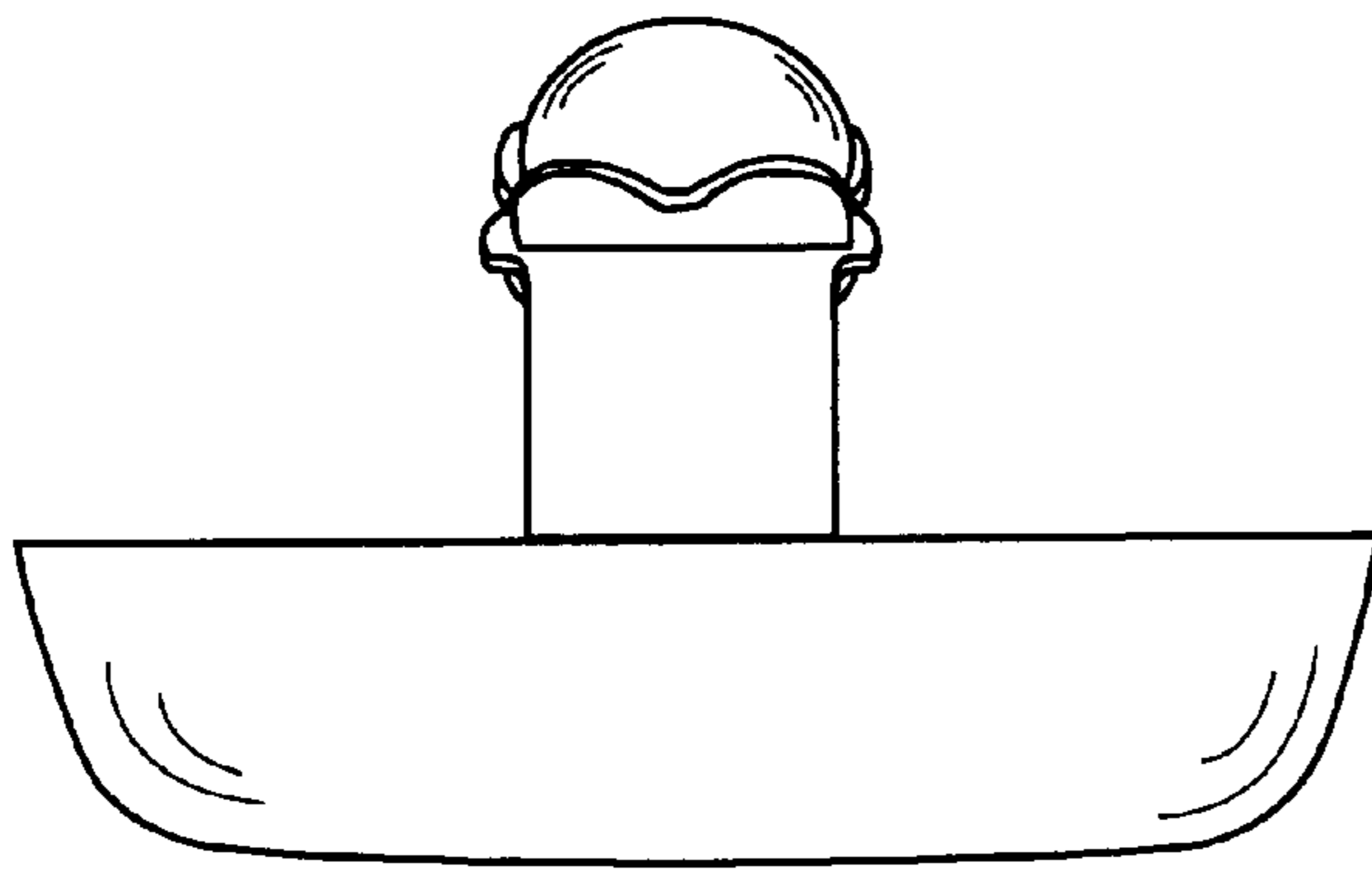


Fig.5