

US00D526528S

(12) **United States Design Patent**
Kanza

(10) **Patent No.:** **US D526,528 S**

(45) **Date of Patent:** **** Aug. 15, 2006**

(54) **FRONT PORTION OF MICROWAVE OVEN**

(75) Inventor: **Akinobu Kanza**, Kobe (JP)

(73) Assignee: **Matsushita Electric Industrial Co., Ltd.**, Osaka (JP)

(**) Term: **14 Years**

(21) Appl. No.: **29/209,204**

(22) Filed: **Jul. 12, 2004**

Related U.S. Application Data

(63) Continuation of application No. 29/208,478, filed on Jun. 28, 2004.

(30) **Foreign Application Priority Data**

Jan. 13, 2004 (CN) 2004300013189

(51) **LOC (8) Cl.** **07-02**

(52) **U.S. Cl.** **D7/351**

(58) **Field of Classification Search** D7/350.1-350.4, D7/351, 402, 405-406; 126/273 A, 275 R, 126/275 E, 21 R; 219/756-758, 739; 99/DIG. 14
See application file for complete search history.

(56) **References Cited**

U.S. PATENT DOCUMENTS

- D310,764 S * 9/1990 Nishikawa D7/351
- D381,862 S 8/1997 Noda et al.
- D412,083 S 7/1999 Okuda et al.
- D415,926 S * 11/1999 De'Longhi D7/350.4
- D423,868 S 5/2000 Shoji et al.
- D425,750 S 5/2000 Koike
- D426,102 S 6/2000 Hamada et al.
- D435,389 S 12/2000 Konno et al.
- D435,754 S 1/2001 Ozaki et al.
- D435,999 S 1/2001 Noda et al.
- D437,179 S 2/2001 Ozaki et al.
- D439,468 S 3/2001 Kim
- D441,595 S 5/2001 Naganuma
- D442,008 S 5/2001 Noda et al.

- D442,424 S 5/2001 Naganuma
- D442,821 S 5/2001 Naganuma
- D451,753 S * 12/2001 Chouya D7/351
- D452,410 S 12/2001 Ichimura
- D455,931 S 4/2002 Mimura et al.
- D463,212 S * 9/2002 Hwang D7/402
- D468,577 S 1/2003 Kanza et al.
- D476,844 S * 7/2003 Hsu D7/350.4
- D478,465 S 8/2003 Kanza
- D490,649 S * 6/2004 Hessen et al. D7/405

FOREIGN PATENT DOCUMENTS

- JP D1216636 9/2004
- JP D1216637 9/2004
- JP D1216815 9/2004

OTHER PUBLICATIONS

Catalog of Microwave Oven issued by LG Corporation in 2001 3 pgs, not labeled.

Catalog of Microwave Oven R-308JS, R-402JK issued by Sharp in 2004 3 pgs, not labeled.

* cited by examiner

Primary Examiner—Ruth McInroy

(74) *Attorney, Agent, or Firm*—Brinks Hofer Gilson & Lione

(57) **CLAIM**

I claim the ornamental design for a front portion of a microwave oven, as shown and described.

DESCRIPTION

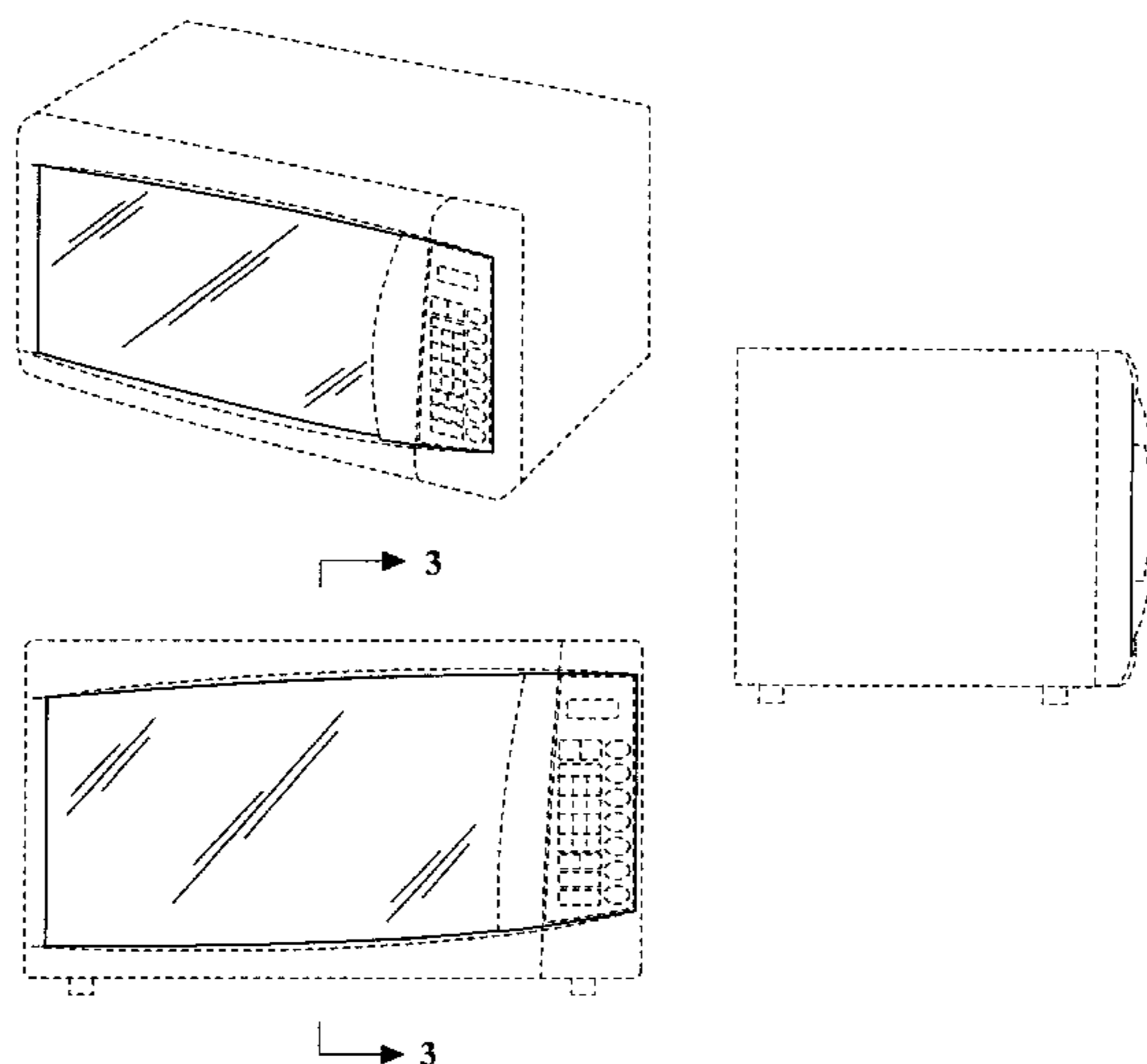
FIG. 1 is a top perspective view of a front portion of a microwave oven of the present invention;

FIG. 2 is a front view thereof; and,

FIG. 3 is a cross-sectional view along line 3—3 in FIG. 2.

The ornamental design which is claimed is shown in solid lines in the drawings. Any broken lines in the drawings are for illustrative purposes only and form no part of the claimed design.

1 Claim, 2 Drawing Sheets



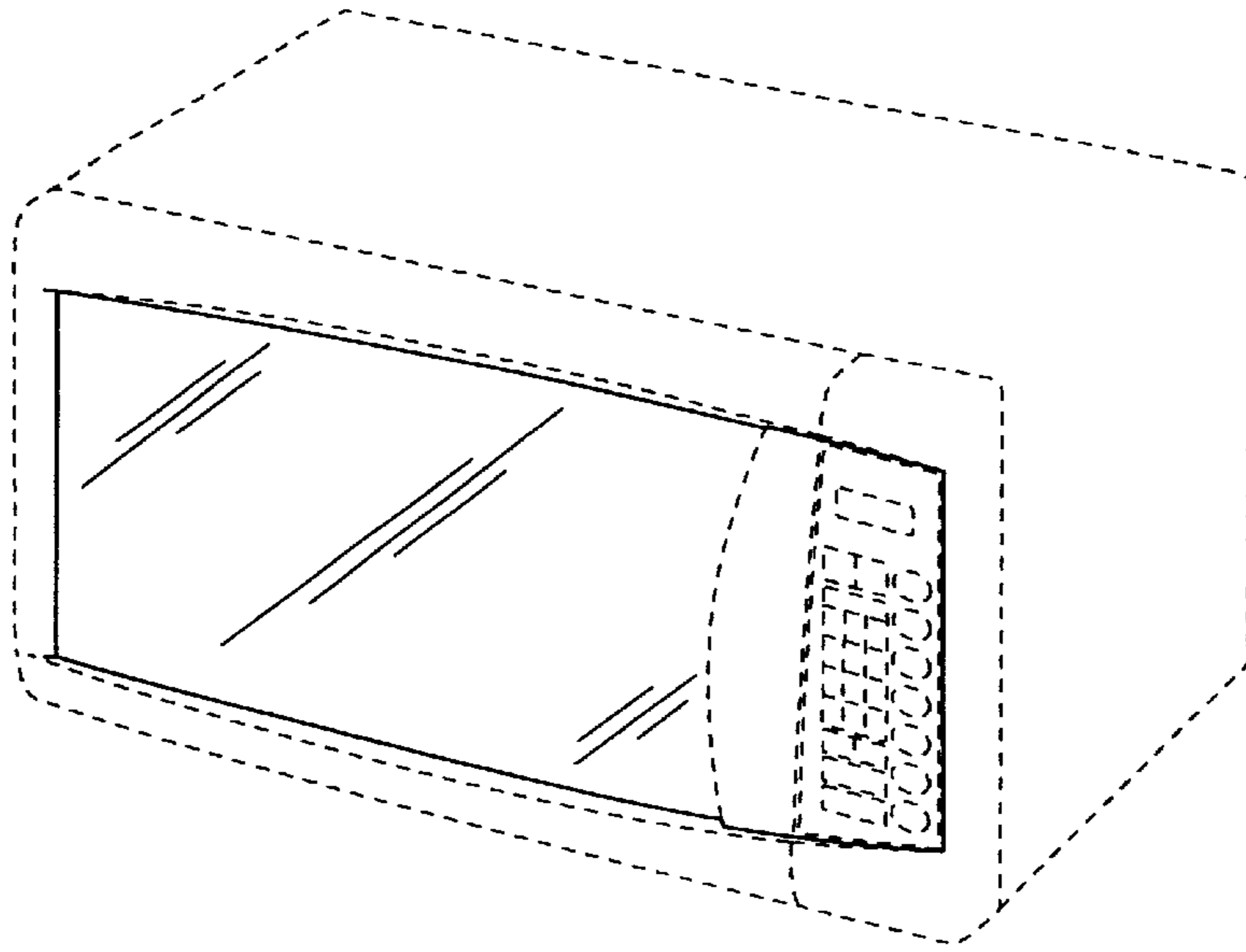


FIG. 1

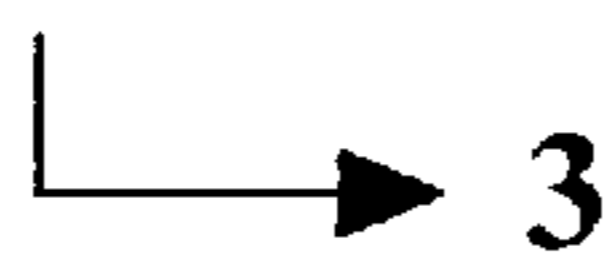
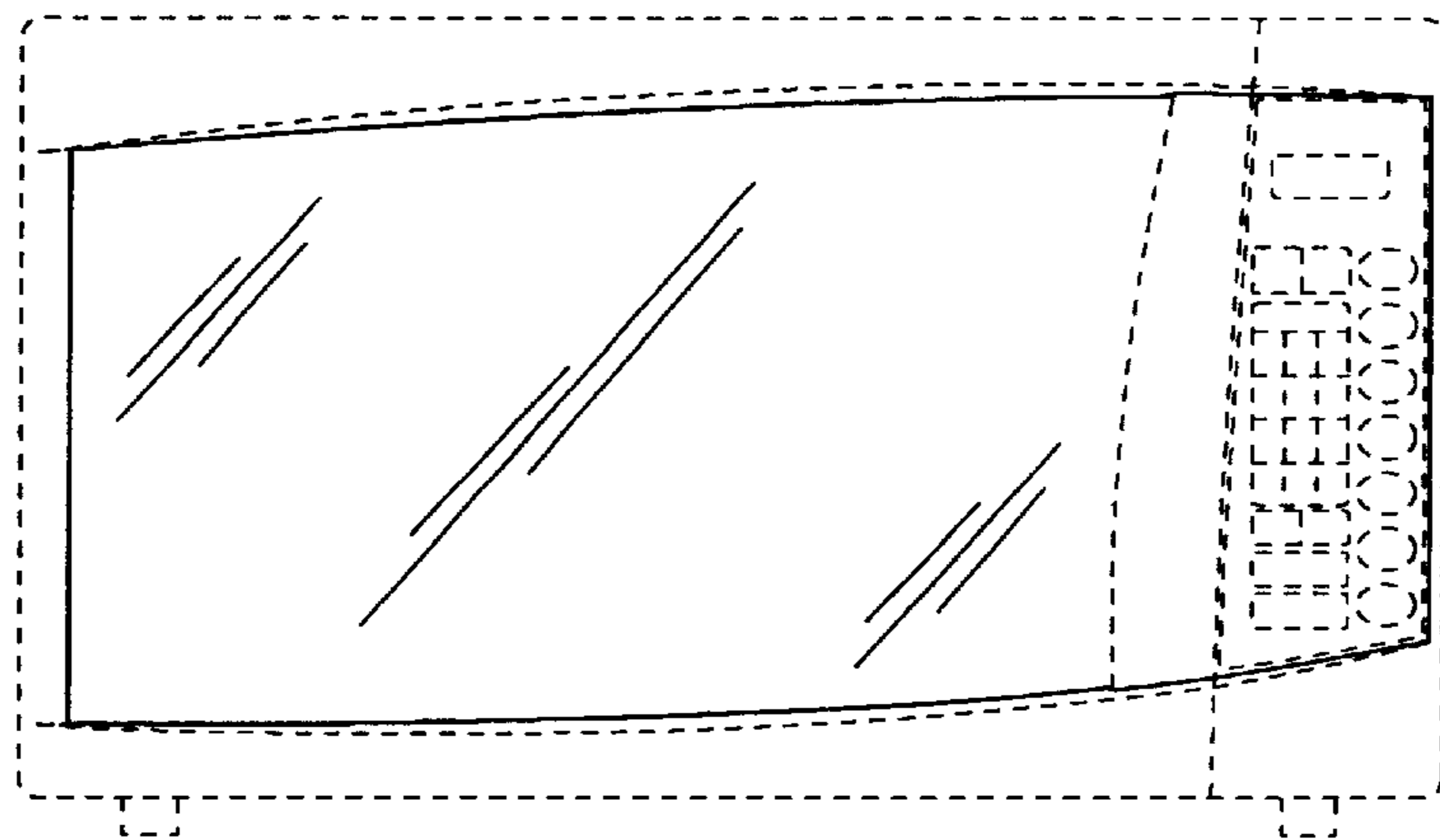


FIG. 2

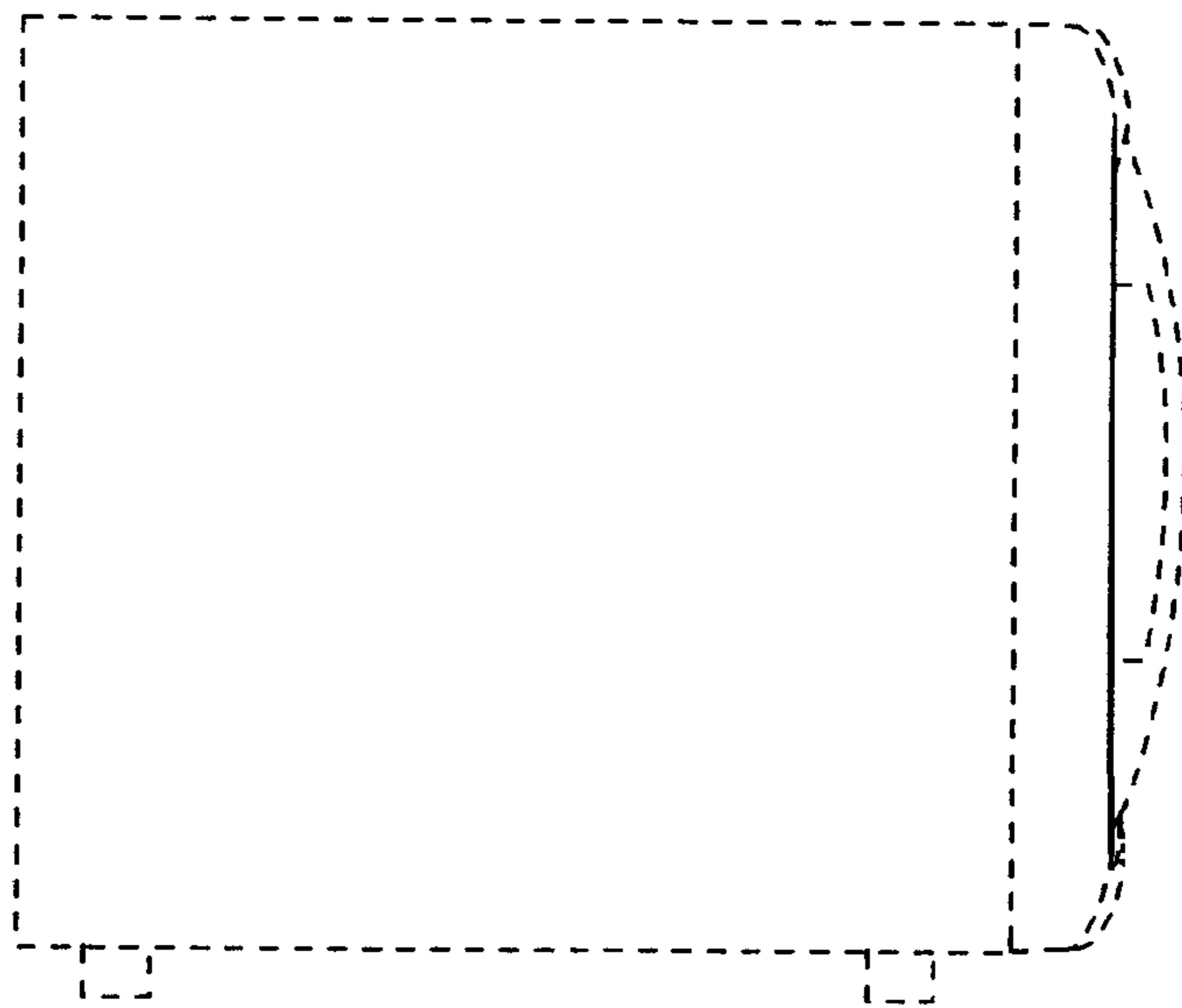


FIG. 3