

US00D526526S

(12) **United States Design Patent**
Yeung

(10) **Patent No.:** **US D526,526 S**

(45) **Date of Patent:** **** Aug. 15, 2006**

(54) **TOASTER**

D477,495 S * 7/2003 To D7/330
D505,584 S * 5/2005 Sowden et al. D7/330

(75) Inventor: **Kui Wong Yeung**, New Territories
(HK)

FOREIGN PATENT DOCUMENTS

(73) Assignee: **Homemax (Hong Kong) Limited**, New
Territories (HK)

GB 3006082 * 8/2002
GB 3011724 * 3/2003
GB 3015069 * 11/2003
WO DM/060850 * 9/2001

(**) Term: **14 Years**

OTHER PUBLICATIONS

(21) Appl. No.: **29/244,279**

Hong Kong Household, vol. 1, 2004, p. 86.*

(22) Filed: **Dec. 7, 2005**

* cited by examiner

(30) **Foreign Application Priority Data**

Jun. 8, 2005 (HK) 0501358

Primary Examiner—Caron D. Veynar

Assistant Examiner—Ricky Pham

(51) **LOC (8) Cl.** **07-02**

(74) *Attorney, Agent, or Firm*—Law Office of Sergei Orel,
LLC

(52) **U.S. Cl.** **D7/330**

(58) **Field of Classification Search** D7/323,
D7/238–333, 385, 390, 340, 341, 346, 365,
D7/367, 402, 405, 406, 407, 411; D13/158,
D13/162, 162.1, 163; D21/525; 99/331, 332,
99/357, 375, 385; 219/214, 388, 405, 443.1,
219/450.1, 492

(57) **CLAIM**

The ornamental design for a toaster, as shown.

See application file for complete search history.

DESCRIPTION

FIG. 1 is a top plan view of a toaster showing my new
design;

FIG. 2 is a bottom plan view thereof;

FIG. 3 is a front elevational view thereof;

FIG. 4 is a rear elevational view thereof;

FIG. 5 is a left side elevational view thereof;

FIG. 6 is a right side elevational view thereof; and,

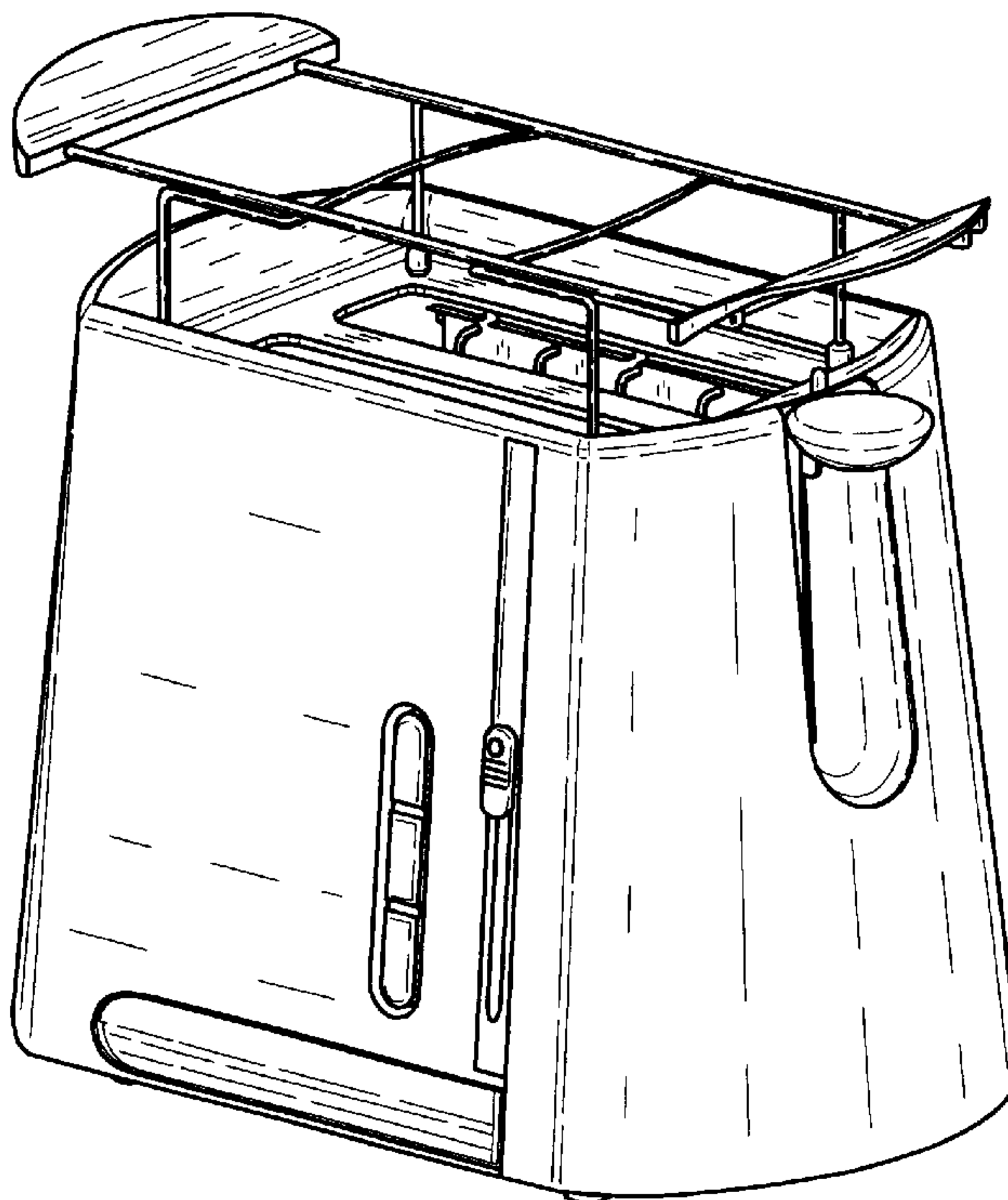
FIG. 7 is a perspective view.

(56) **References Cited**

U.S. PATENT DOCUMENTS

5,317,960 A * 6/1994 Cumfer 99/391
D469,297 S * 1/2003 Bouhuys et al. D7/330
6,502,502 B1 * 1/2003 Sutton et al. 99/391

1 Claim, 4 Drawing Sheets



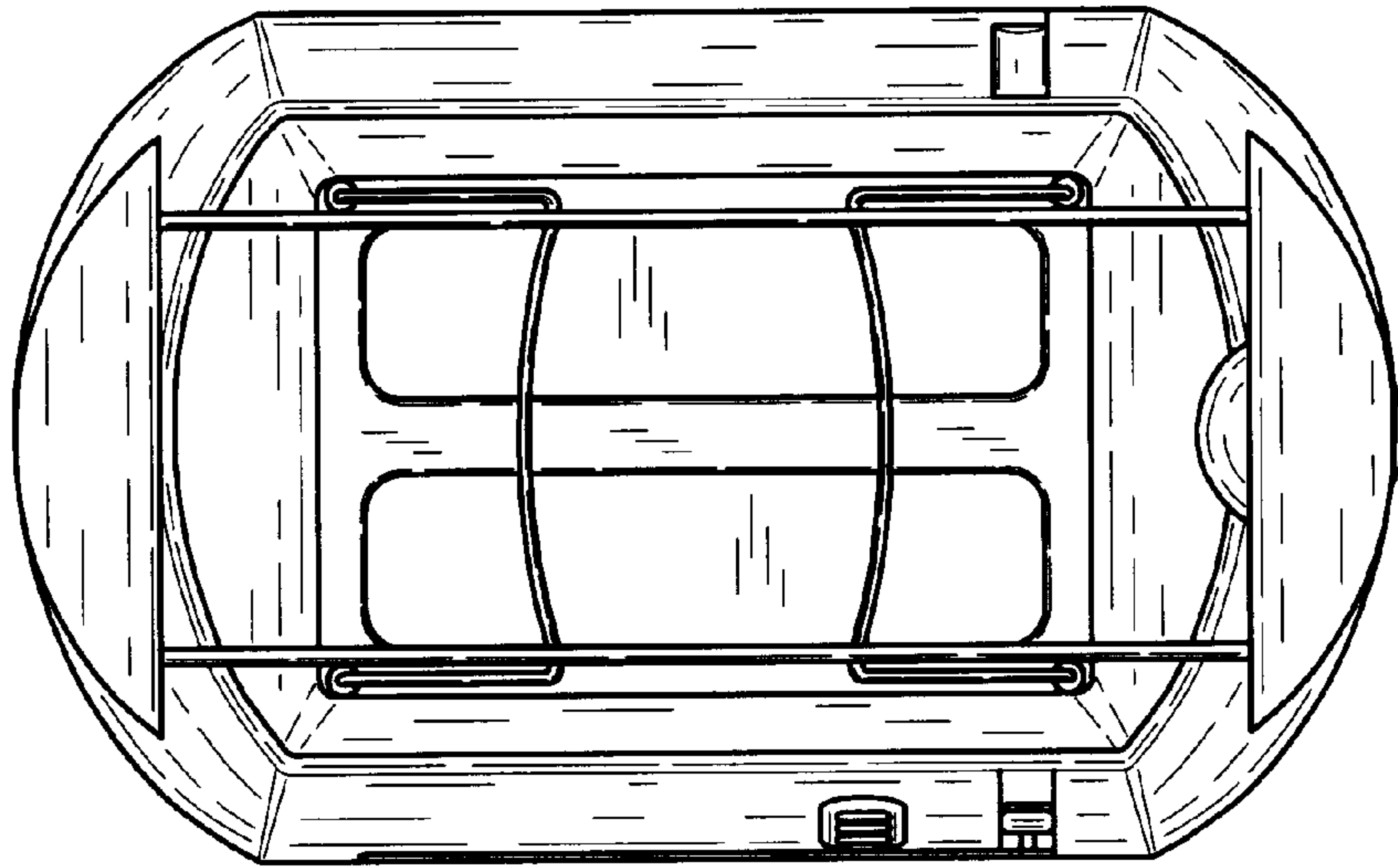


Fig.1

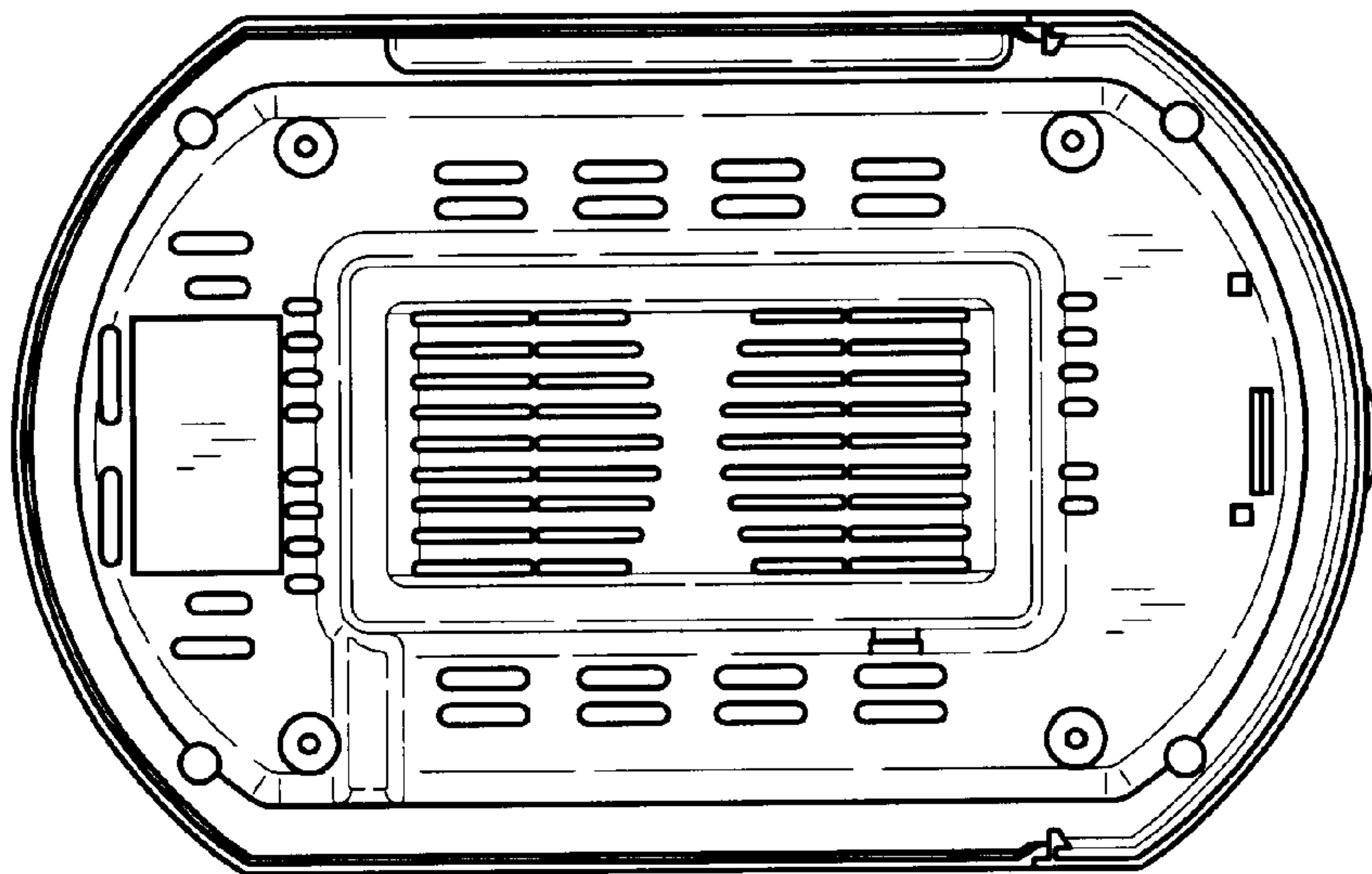


Fig.2

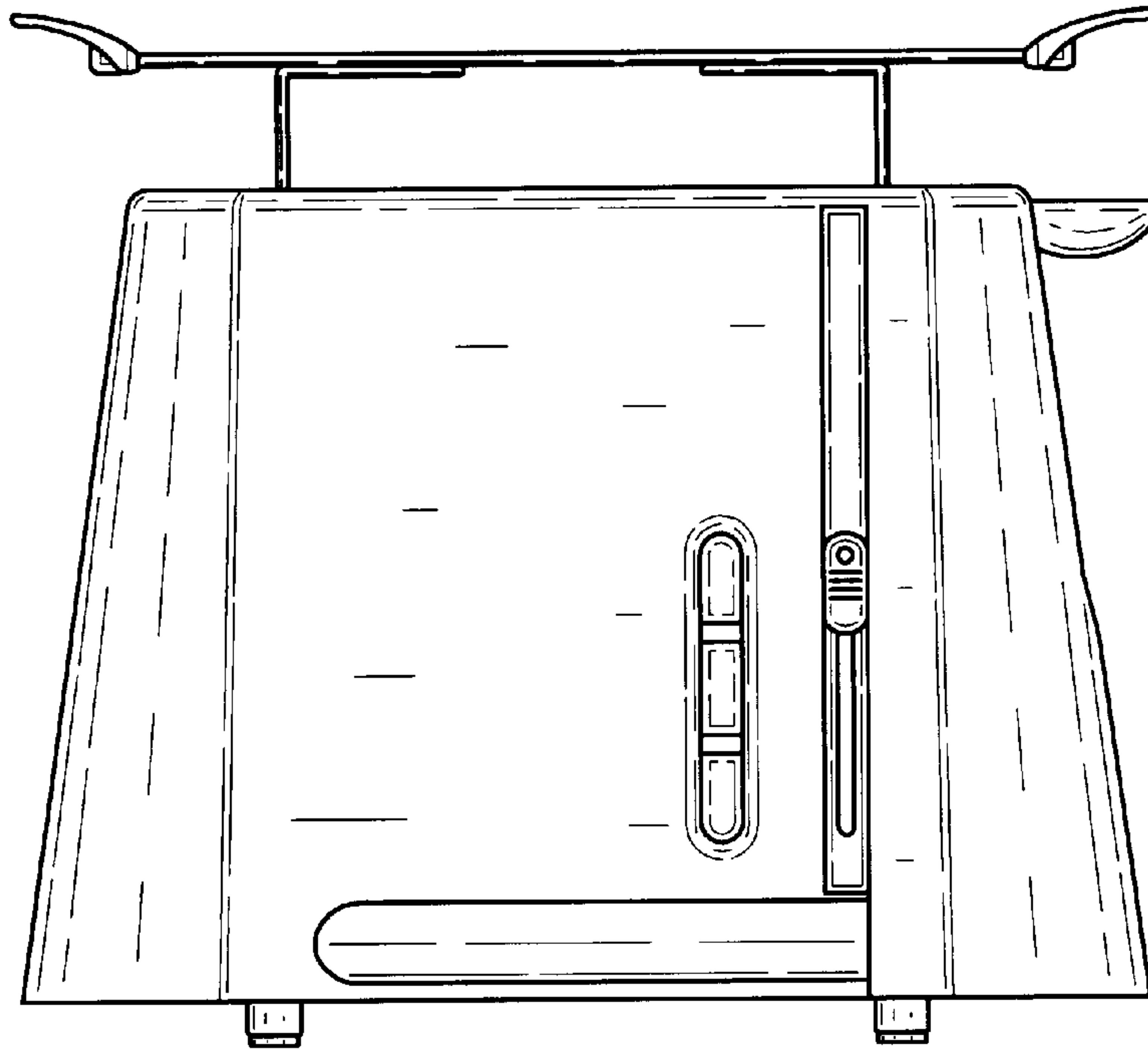


Fig.3

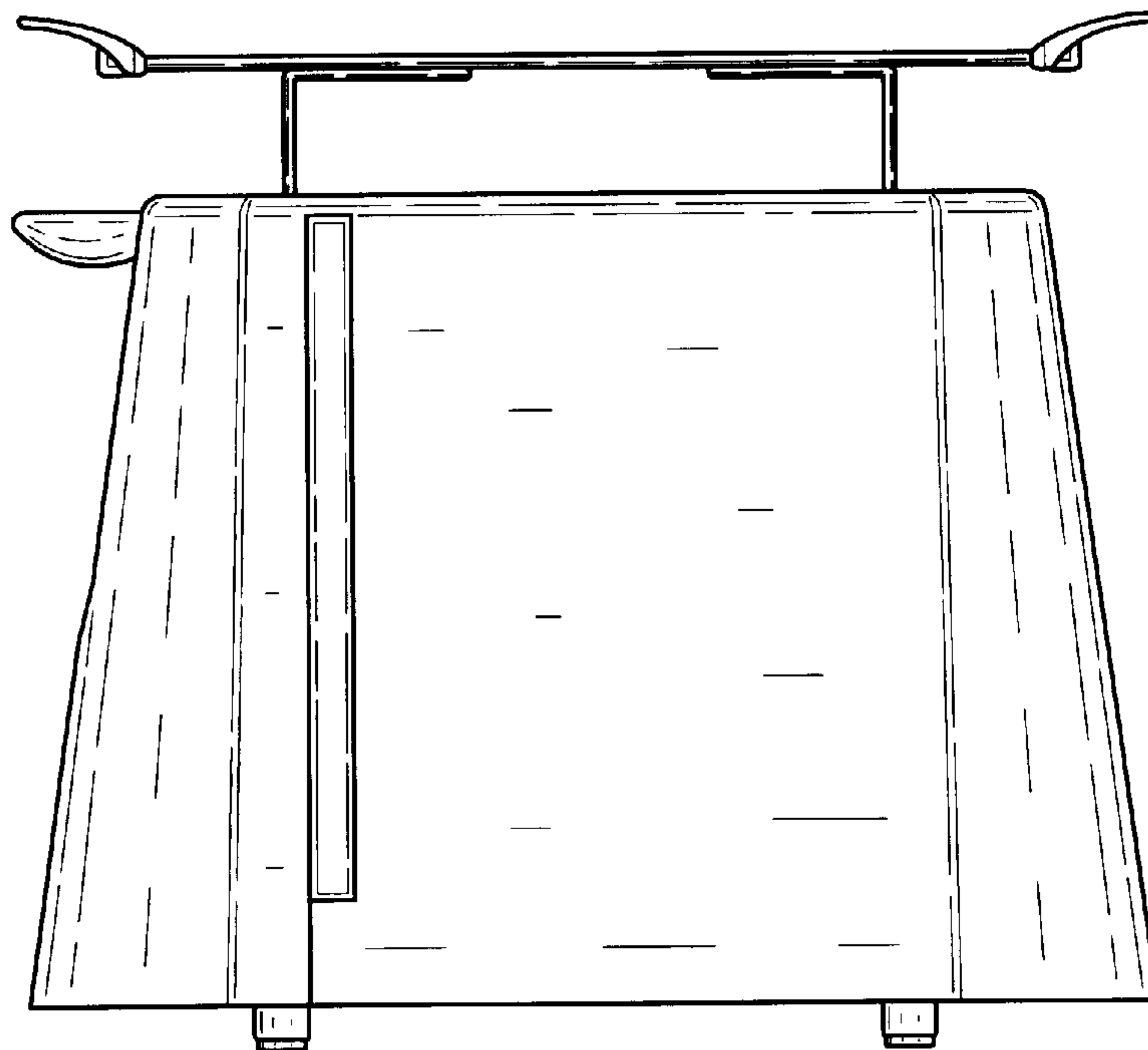


Fig.4

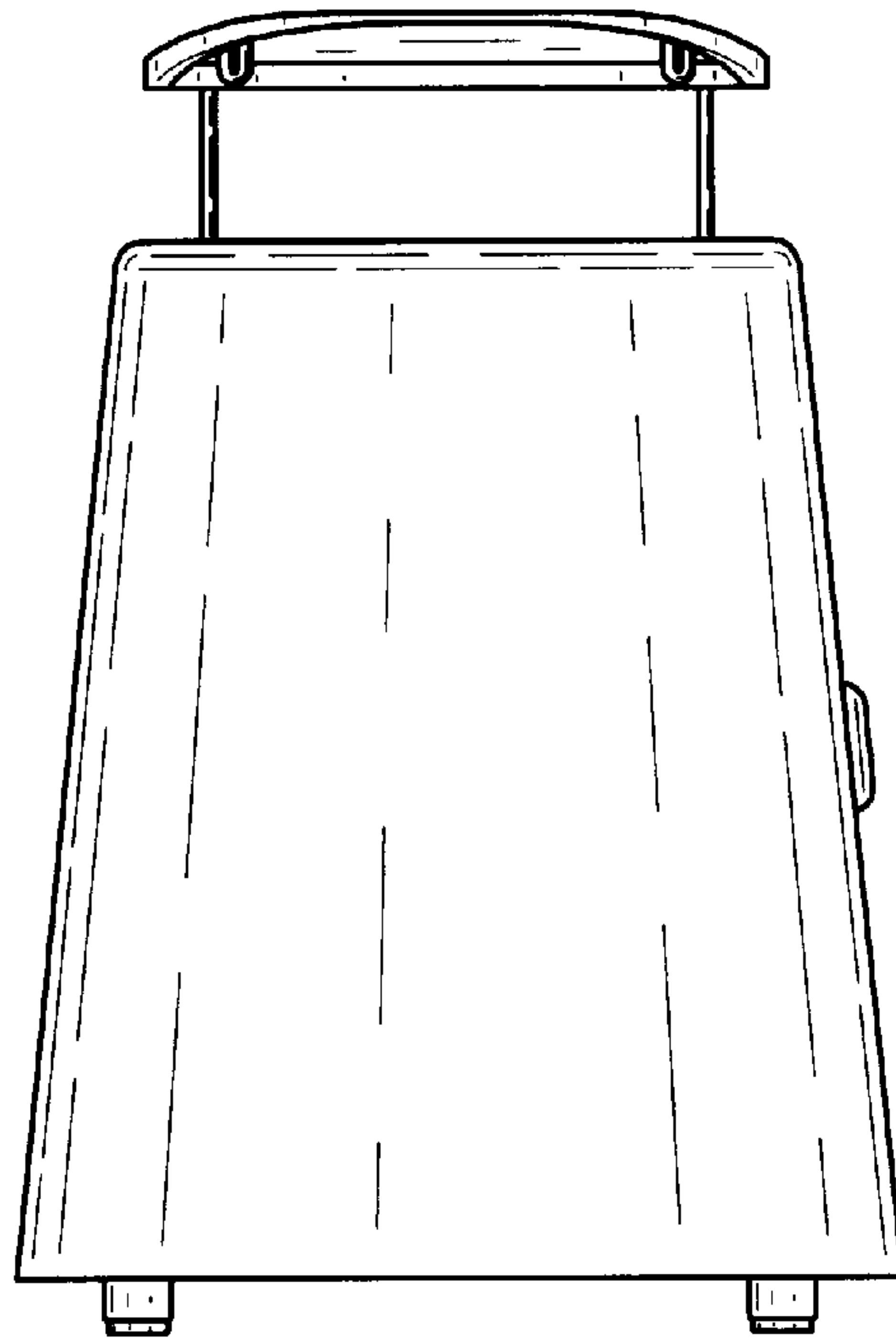


Fig.5

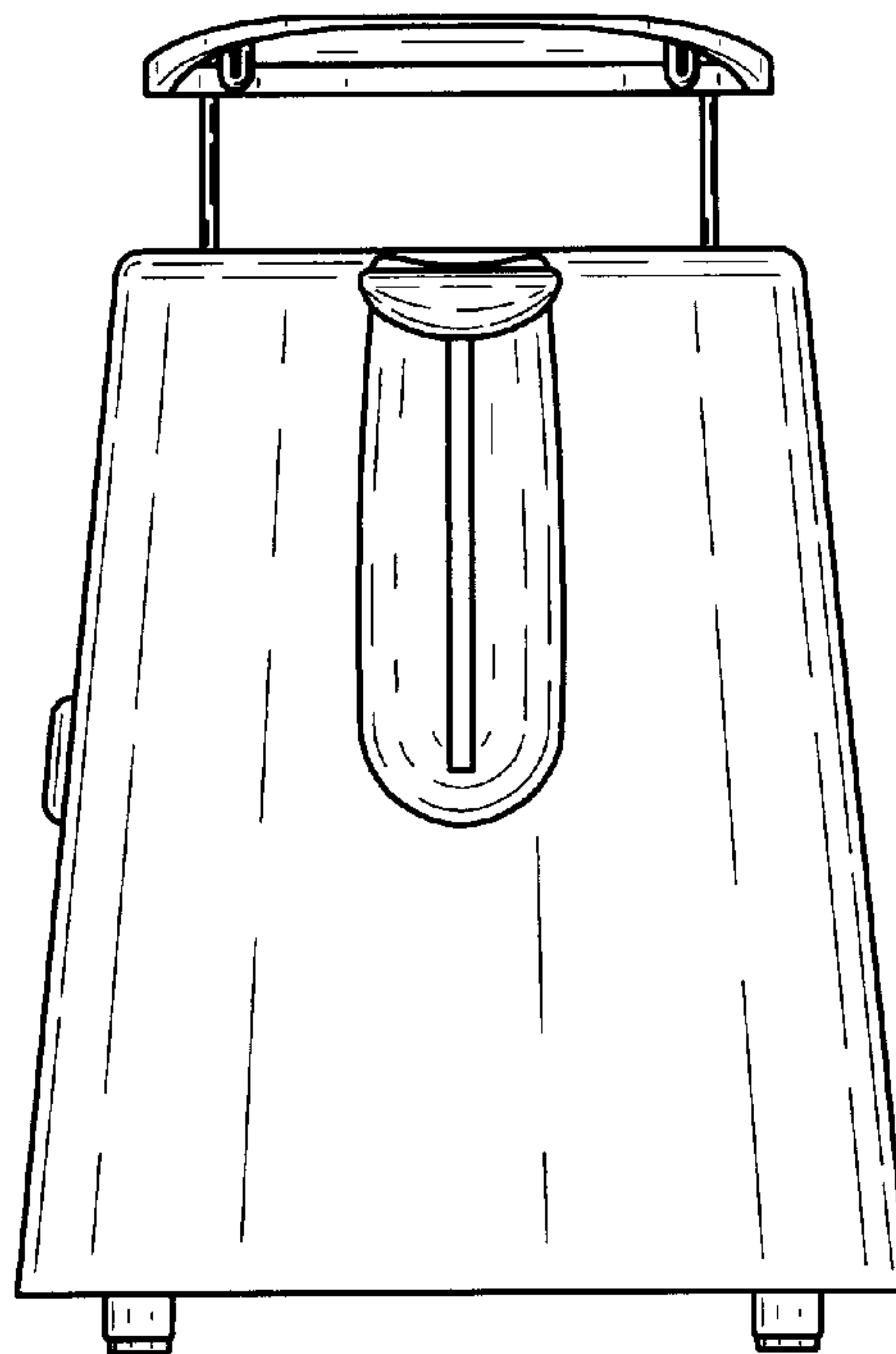


Fig.6

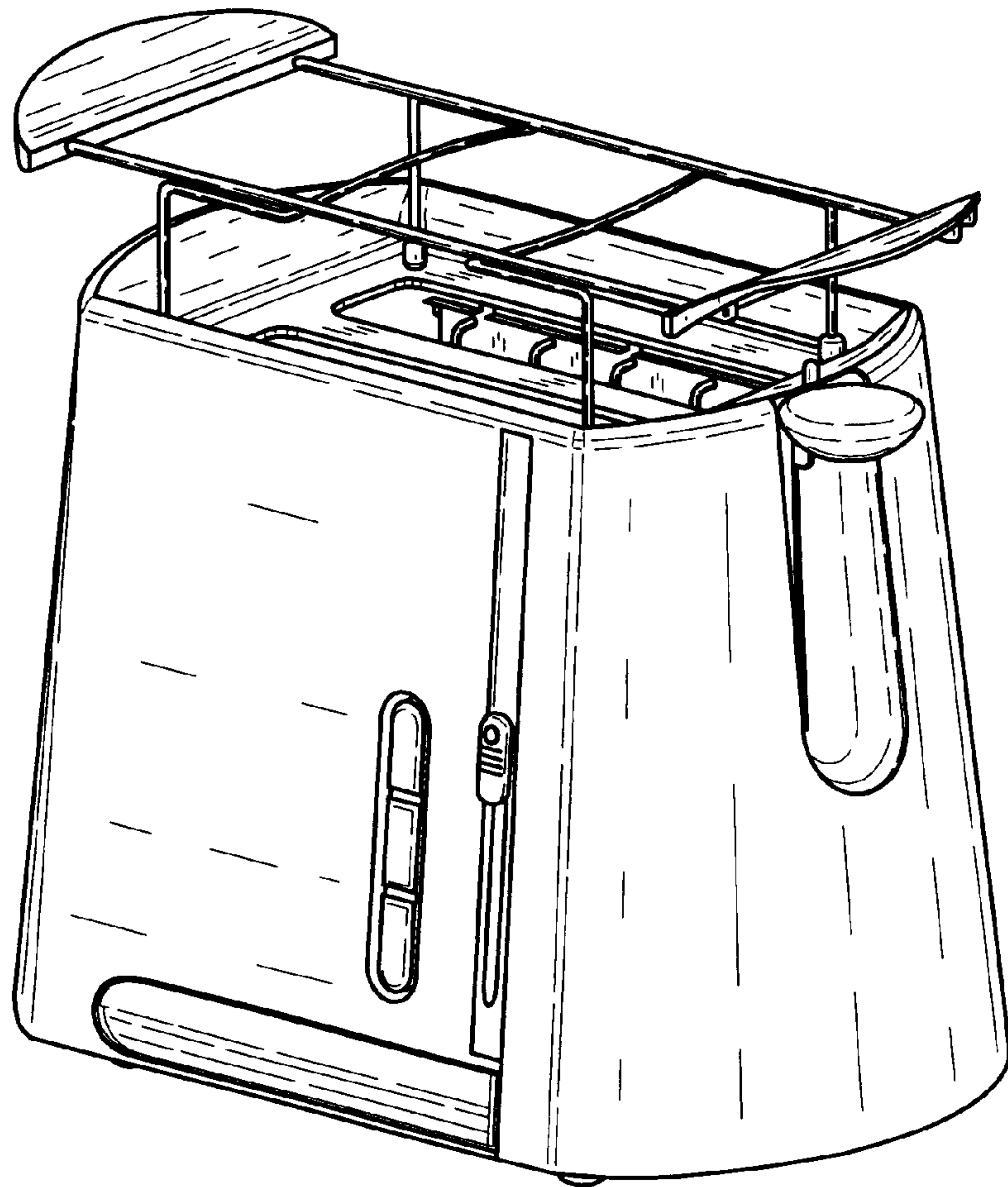


Fig.7