



US00D526525S

(12) **United States Design Patent** (10) **Patent No.:** **US D526,525 S**
Wasserman et al. (45) **Date of Patent:** **** Aug. 15, 2006**

(54) **CUP**
(75) **Inventors:** **David M. Wasserman**, Whitefish Bay, WI (US); **Brian J. Siehr**, Sheboygan, WI (US); **Rebecca J. Schreiber-Pethan**, Sheboygan, WI (US)
(73) **Assignee:** **The Vollrath Germany, L.L.C.**, Sheboygan, WI (US)
(**) **Term:** **14 Years**

D184,875 S * 4/1959 Johnson D7/543
D185,063 S * 5/1959 Clark, Jr. D7/318
D186,362 S * 10/1959 Stetson D25/142
D190,878 S * 7/1961 Bradford D7/316
3,710,709 A 1/1973 Roncarelli
D313,148 S * 12/1990 de Winter D7/318
5,323,928 A 6/1994 Stevens
5,370,372 A 12/1994 Eckert
5,397,036 A 3/1995 Maiwald
5,419,454 A * 5/1995 Stowell et al. 220/574
5,423,452 A * 6/1995 Tardif 220/574

(Continued)

(21) **Appl. No.:** **29/209,394**
(22) **Filed:** **Jul. 15, 2004**
(51) **LOC (8) Cl.** **07-01**
(52) **U.S. Cl.** **D7/316; D7/392; D7/397; D7/398**
(58) **Field of Classification Search** D7/558, D7/540, 524, 523, 543, 603, 602, 503, 587, D7/584, 316, 318, 392, 397, 398; D11/152; D24/150, 120, 220; 220/606, 608, 752, 770, 220/628, 506, 574, 575; 229/400; 604/294, 604/295; 211/14, 2; D10/46.2
See application file for complete search history.

FOREIGN PATENT DOCUMENTS

DE 3633546 A1 4/1988
DE 43 14 428 A1 11/1994
DE 43 26 335 A1 2/1995
FR 2 765 468 A1 1/1999
JP 6-121749 A 5/1994
JP 11-9415 A 1/1999
JP 2000-232947 A 8/2000

Primary Examiner—M. N. Pandozzi
(74) *Attorney, Agent, or Firm*—Foley & Lardner LLP

(57) **CLAIM**

We claim the ornamental design for a cup, as shown and described.

(56) **References Cited**

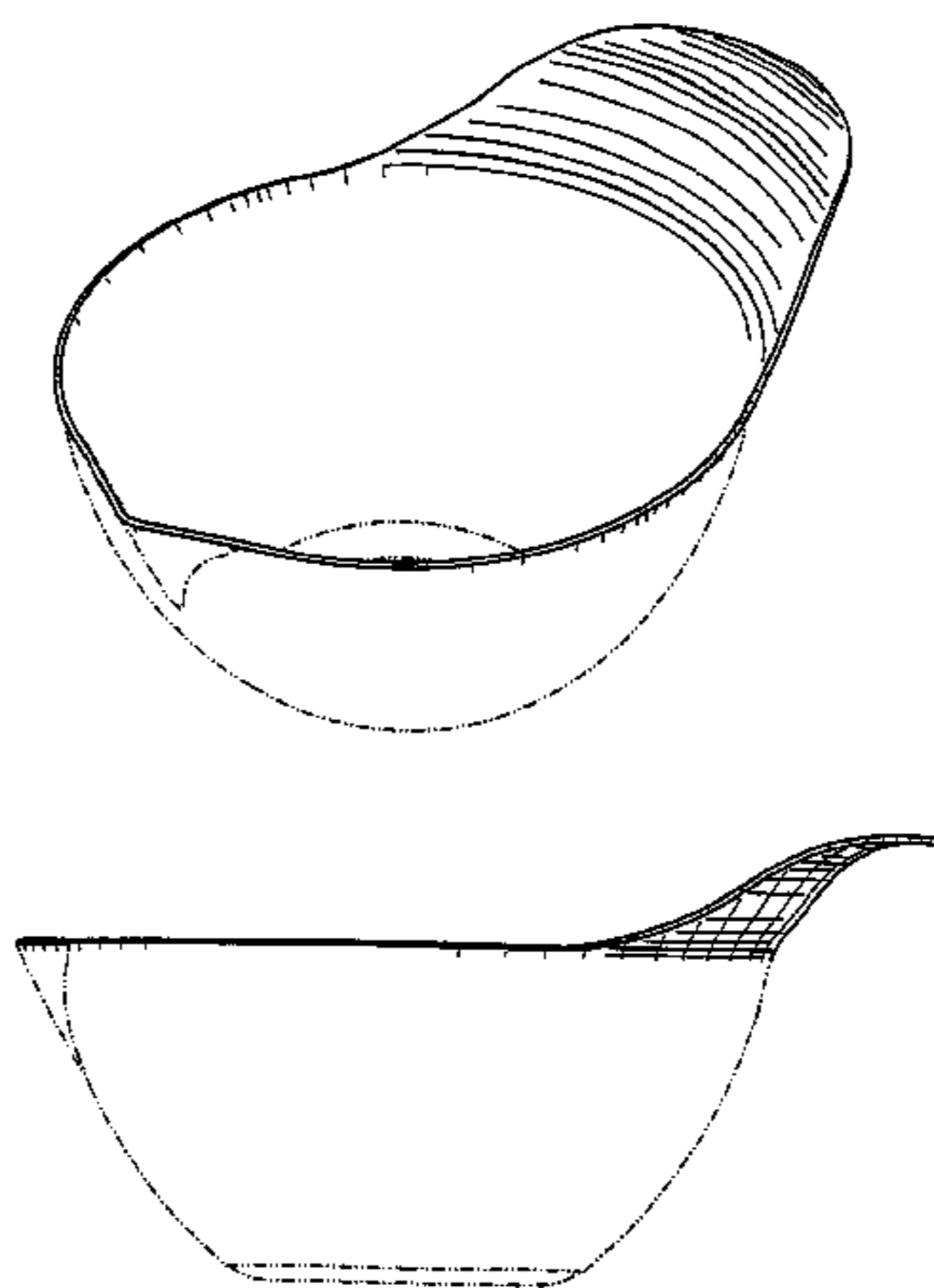
U.S. PATENT DOCUMENTS

153,159 A 7/1874 Dinwiddie
180,766 A 8/1876 Housum
358,197 A 2/1887 Guion
423,018 A 3/1890 Young
457,716 A 8/1891 Herring
808,845 A 1/1906 Jerkins
884,390 A 4/1908 Jerkins
1,144,490 A 6/1915 Meyer
1,145,422 A 7/1915 Jones
1,950,505 A 3/1934 Matters
2,476,626 A 7/1949 Rigano
D163,667 S * 6/1951 Wright D7/318
D167,166 S * 7/1952 Rodier D7/318
2,732,696 A 1/1956 Baker
2,803,375 A 8/1957 Meshberg
D181,348 S * 11/1957 Dubo D7/318
D182,921 S * 5/1958 Rafalow D7/509

DESCRIPTION

FIG. 1 is a top perspective view of a cup showing our new design;
FIG. 2 is a front elevational view thereof;
FIG. 3 is a right side elevational view thereof, the left side elevational view being a mirror image of the right elevational view shown;
FIG. 4 is a top plan view thereof;
FIG. 5 is a rear elevational view thereof; and,
FIG. 6 is a bottom plan view thereof.
The ornamental design which is claimed is shown in solid lines in the drawings. The broken lines in the drawings are for illustrative purposes only and form no part of the claimed design.

1 Claim, 3 Drawing Sheets



US D526,525 S

Page 2

U.S. PATENT DOCUMENTS			
5,461,969	A	10/1995	Cretsinger
D442,437	S	* 5/2001	Wright D7/543
6,263,732	B1	7/2001	Hoeting et al.
D477,186	S	* 7/2003	de Groote et al. D7/543
D493,671	S	* 8/2004	Lebowitz D7/583
D500,229	S	* 12/2004	Bravard et al. D7/543

* cited by examiner

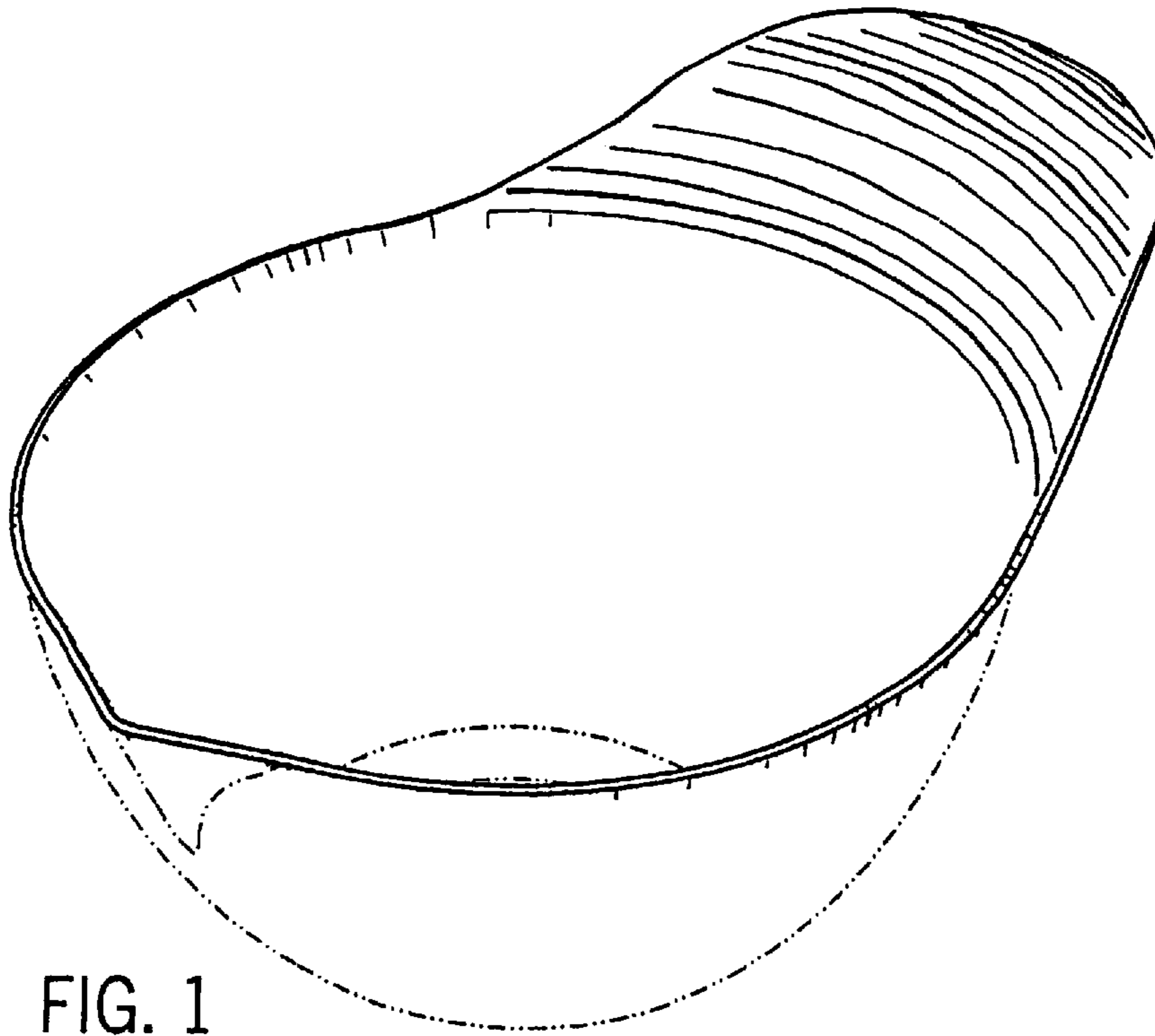


FIG. 1

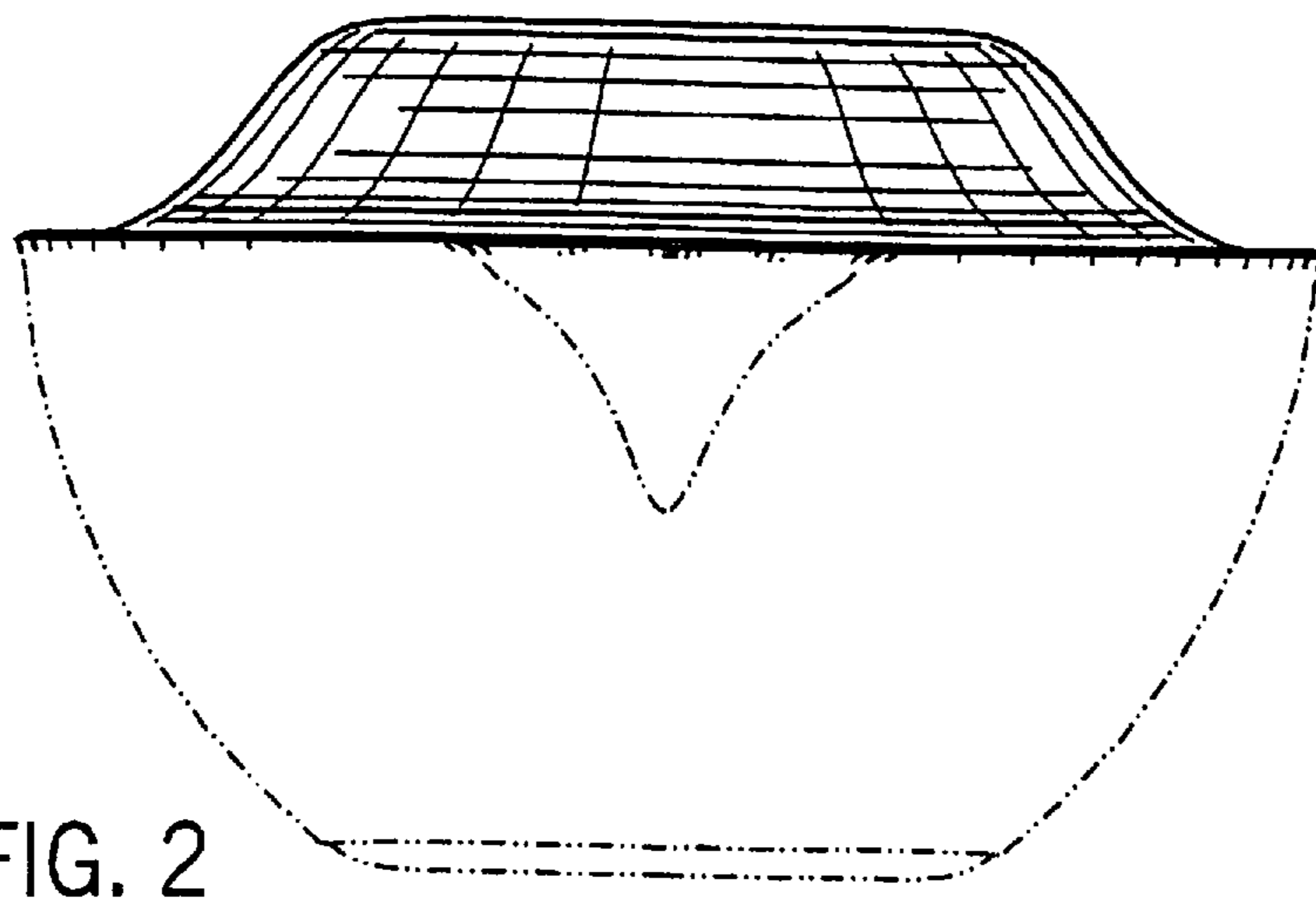


FIG. 2

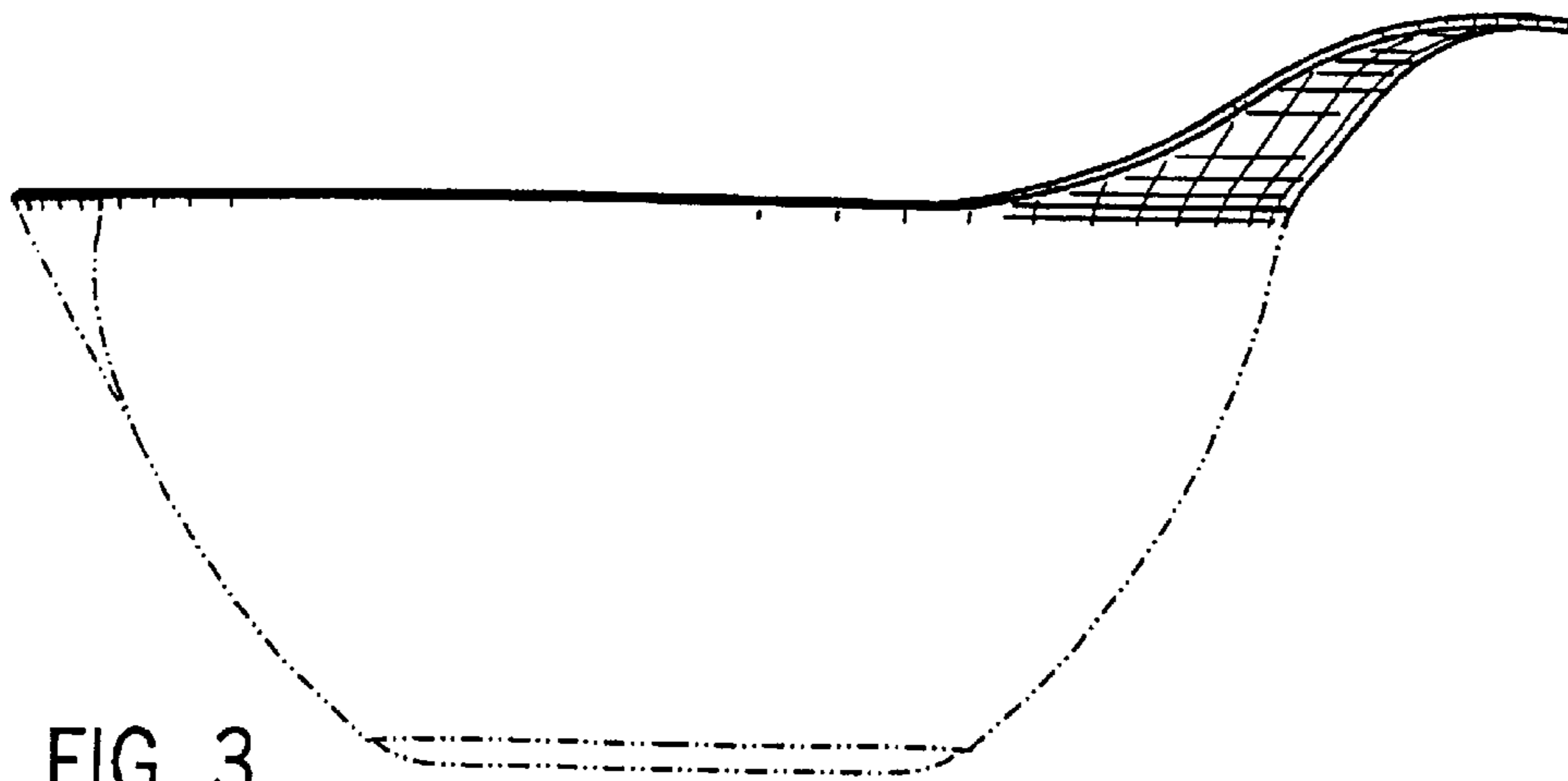


FIG. 3

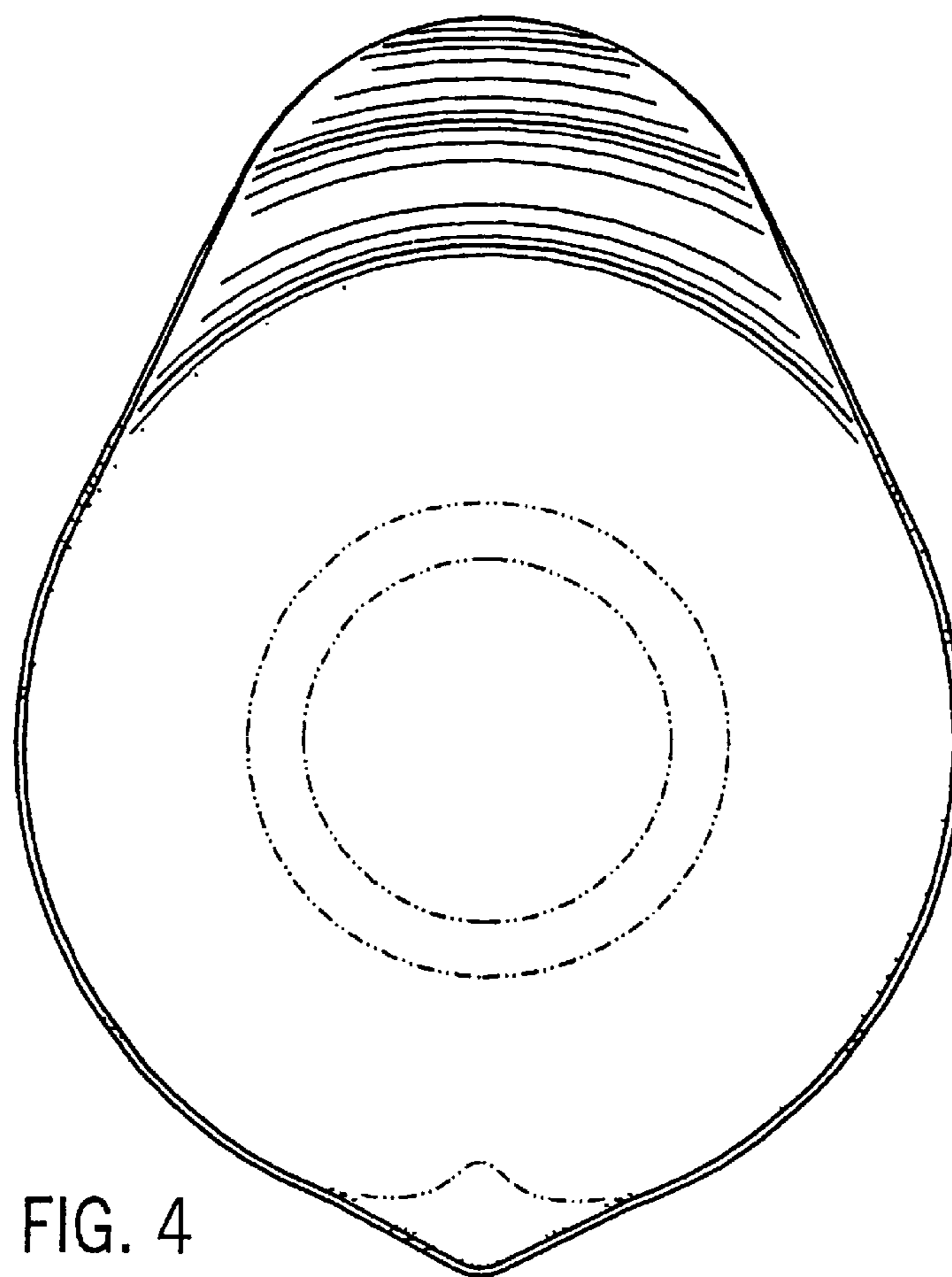


FIG. 4

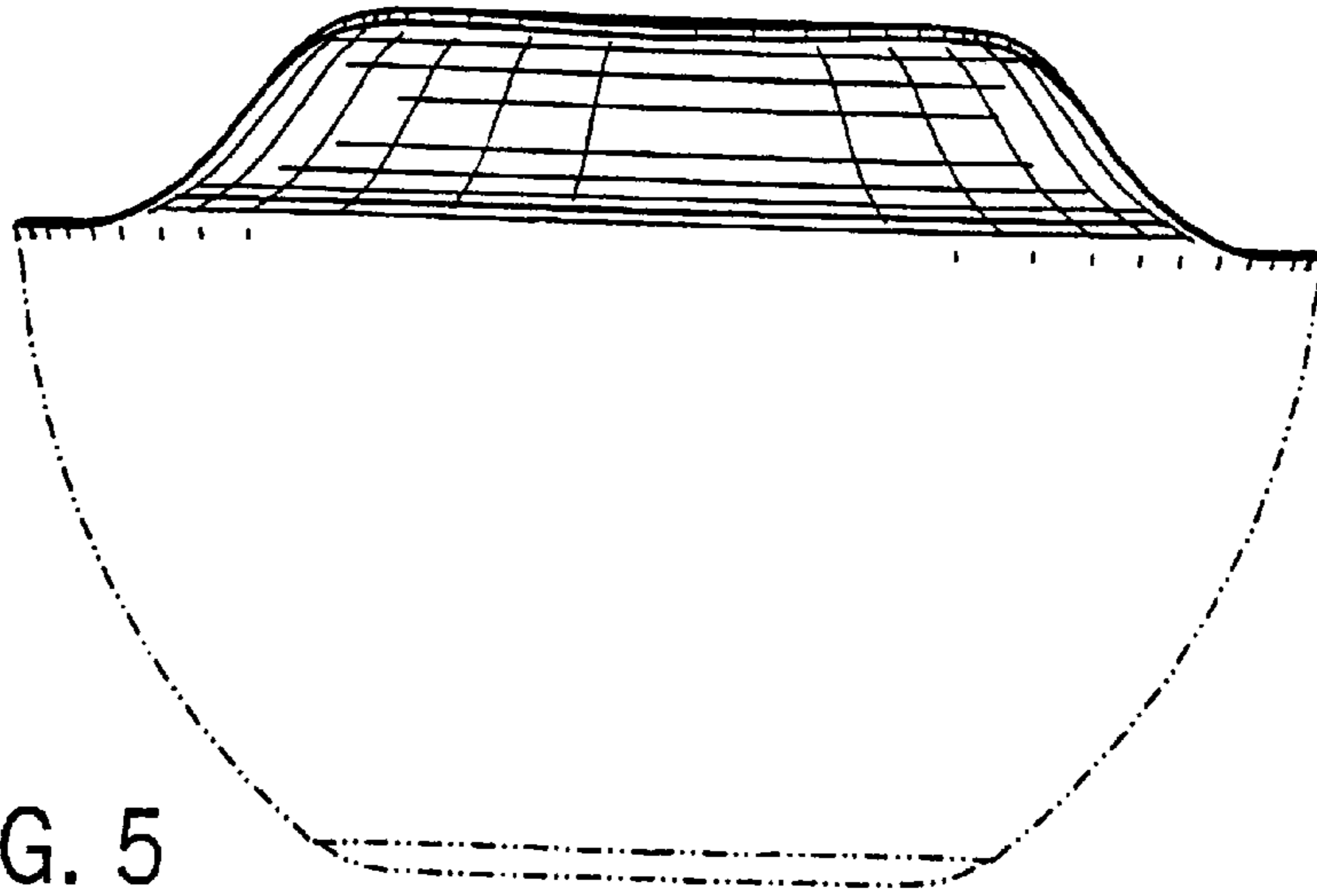


FIG. 5

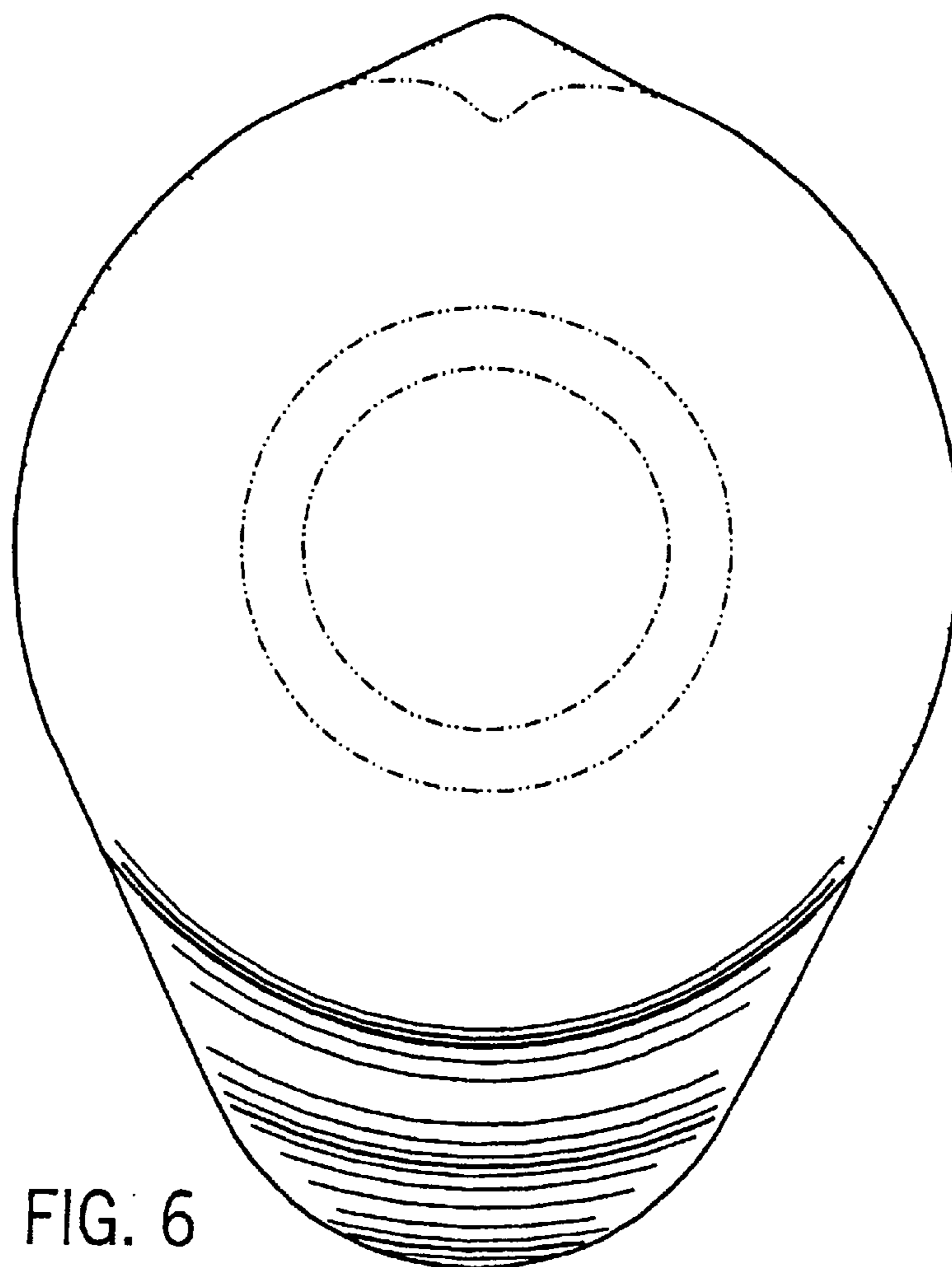


FIG. 6