

US00D526520S

(12) **United States Design Patent**  
**Clucas**

(10) **Patent No.:** **US D526,520 S**

(45) **Date of Patent:** **\*\* Aug. 15, 2006**

(54) **TOWEL RACK**

(75) Inventor: **Michael P. Clucas**, Boothwyn, PA (US)

(73) Assignee: **Zenith Products Corp.**, New Castle, DE (US)

(\*\*) Term: **14 Years**

(21) Appl. No.: **29/221,586**

(22) Filed: **Jan. 18, 2005**

(51) **LOC (8) Cl.** ..... **06-06**

(52) **U.S. Cl.** ..... **D6/514; D6/548**

(58) **Field of Classification Search** ..... D6/512-514,  
D6/570, 315, 574, 320, 548, 549; 211/13.1,  
211/34-39, 85.31, 113; 248/309.2  
See application file for complete search history.

(56) **References Cited**

**U.S. PATENT DOCUMENTS**

D354,412 S \* 1/1995 Emery ..... D6/548  
D367,793 S \* 3/1996 Macek ..... D6/548

D382,434 S \* 8/1997 Klein et al. .... D6/570  
D403,187 S \* 12/1998 Klein et al. .... D6/513  
6,138,841 A \* 10/2000 Klein et al. .... 211/113  
D493,289 S \* 7/2004 Klein et al. .... D6/320  
D507,137 S \* 7/2005 Klein et al. .... D6/514

\* cited by examiner

*Primary Examiner*—Brian N Vinson

(74) *Attorney, Agent, or Firm*—Akin Gump Strauss Hauer & Feld, LLP

(57) **CLAIM**

The ornamental design for a towel rack, as shown and described.

**DESCRIPTION**

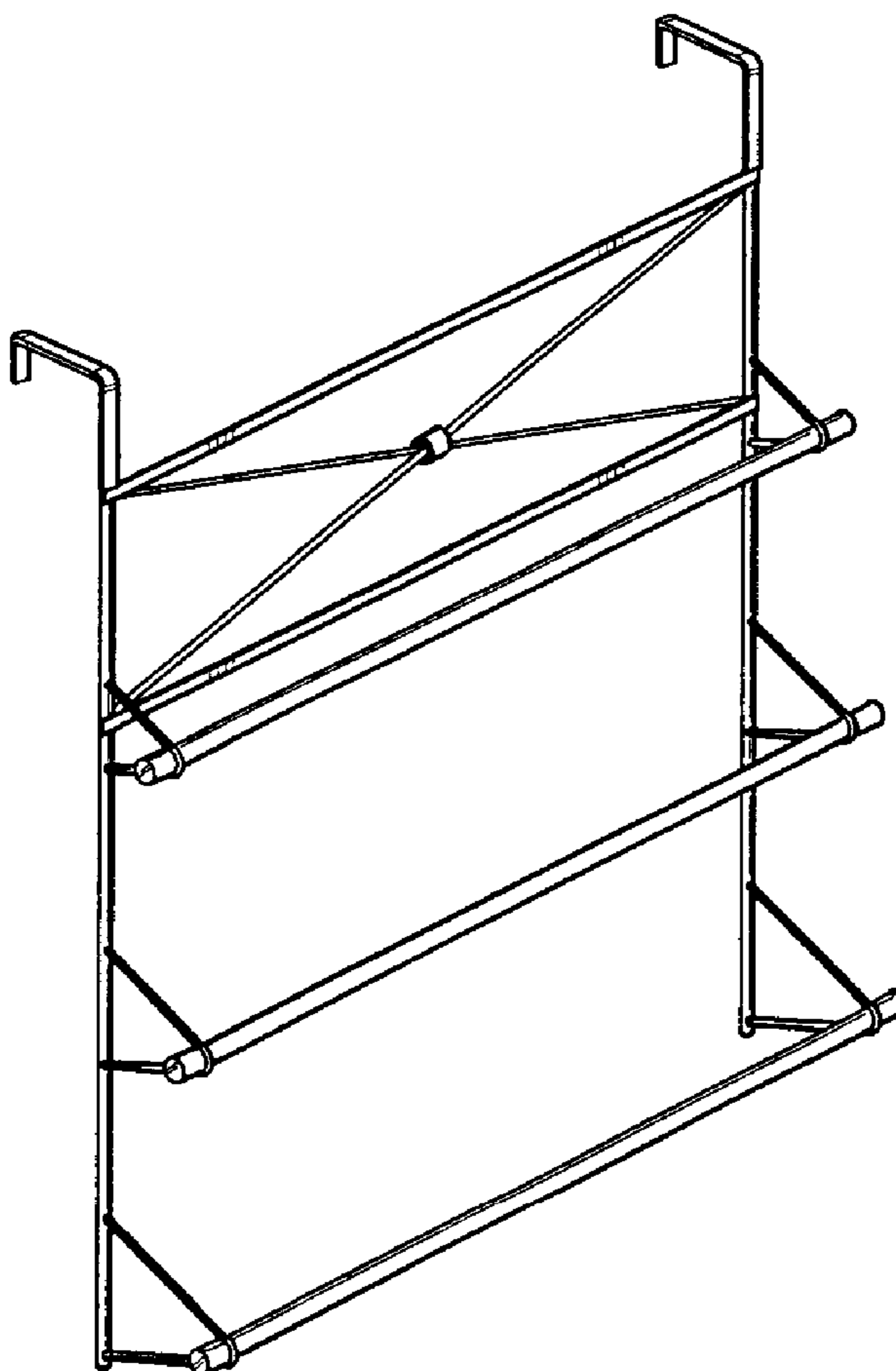
FIG. 1 is a perspective view of a towel rack showing my new design;

FIG. 2 is a front elevational view thereof;

FIG. 3 is a top plan view thereof; and,

FIG. 4 is a left side view thereof, the opposite side being a mirror image of the side shown.

**1 Claim, 2 Drawing Sheets**



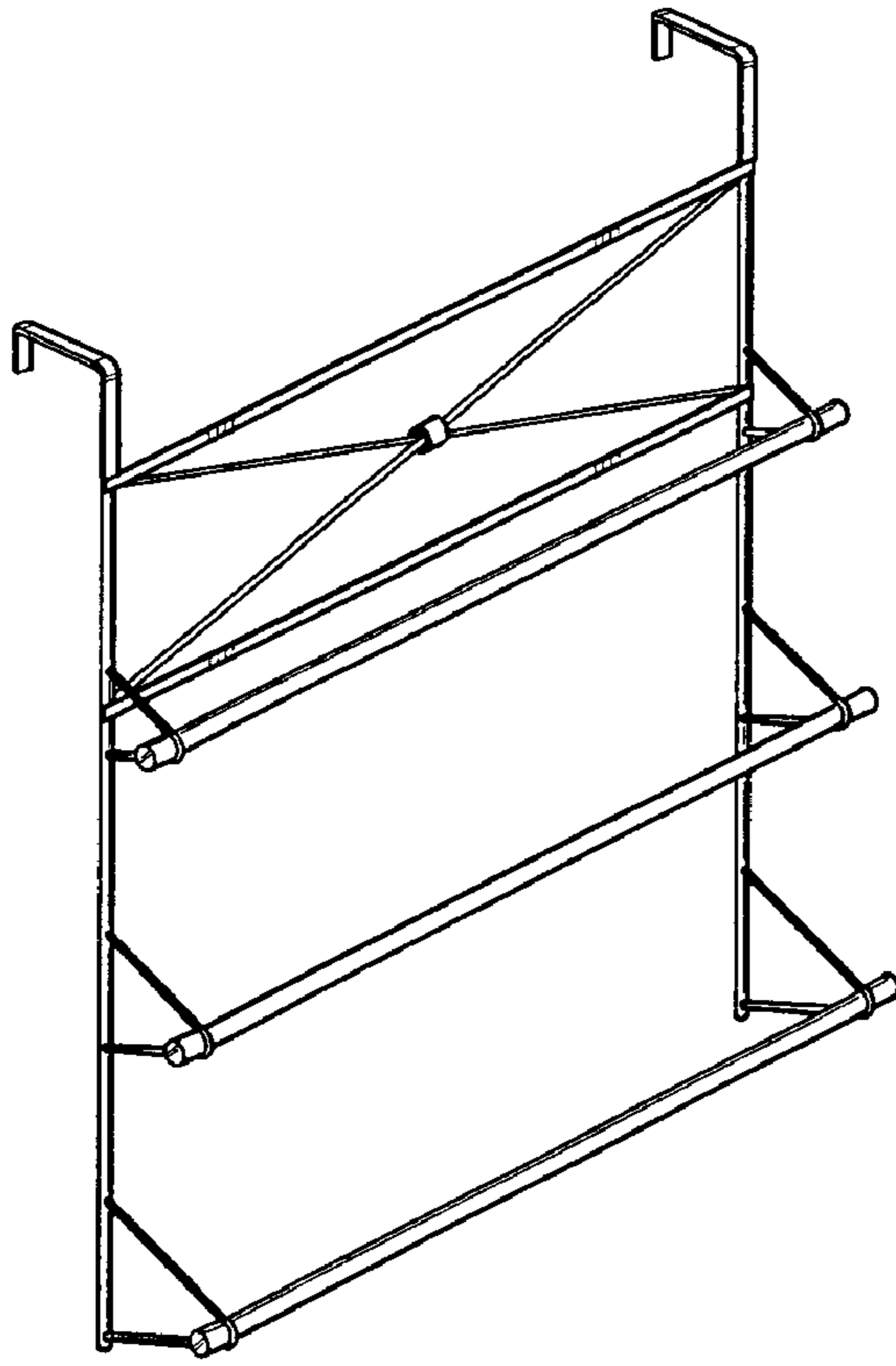


Fig-1

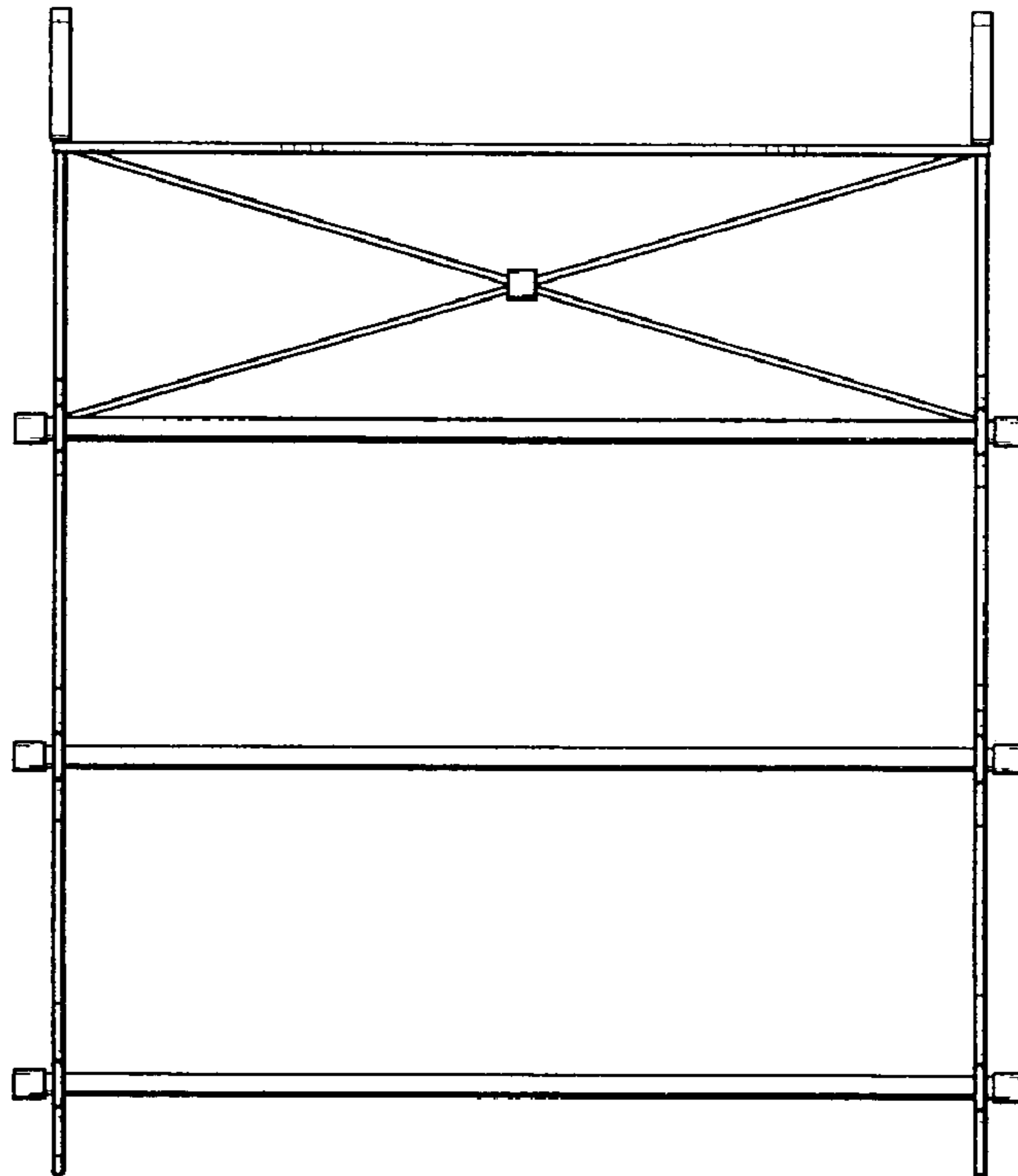


Fig-2

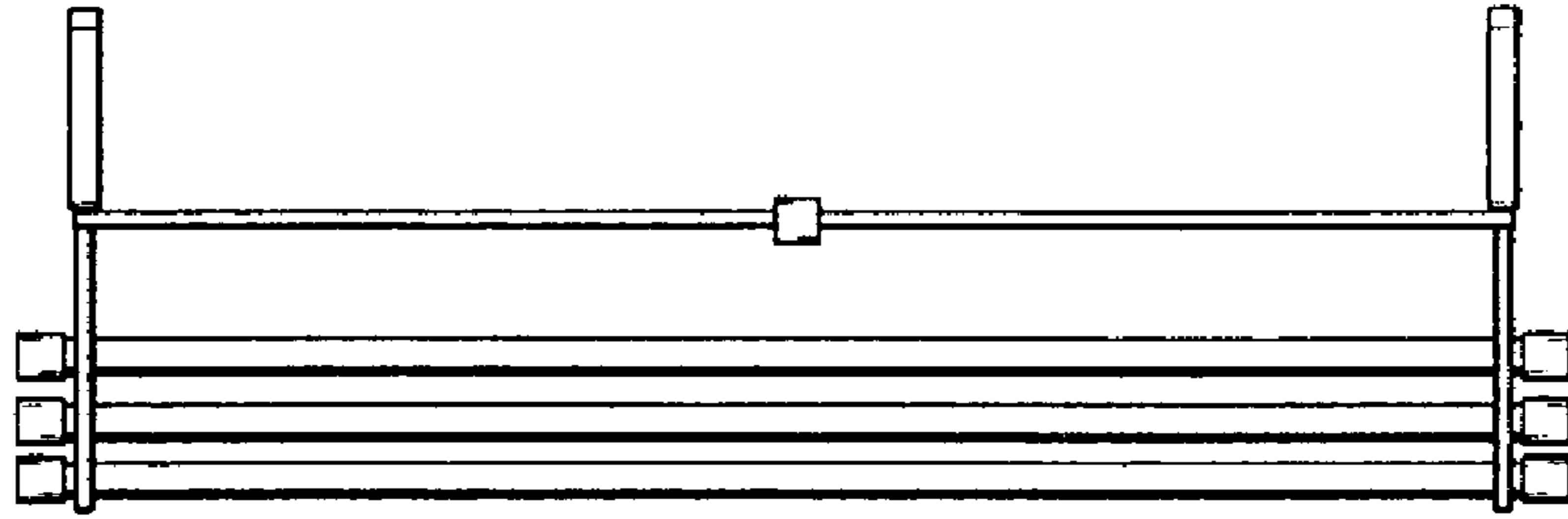


Fig-3

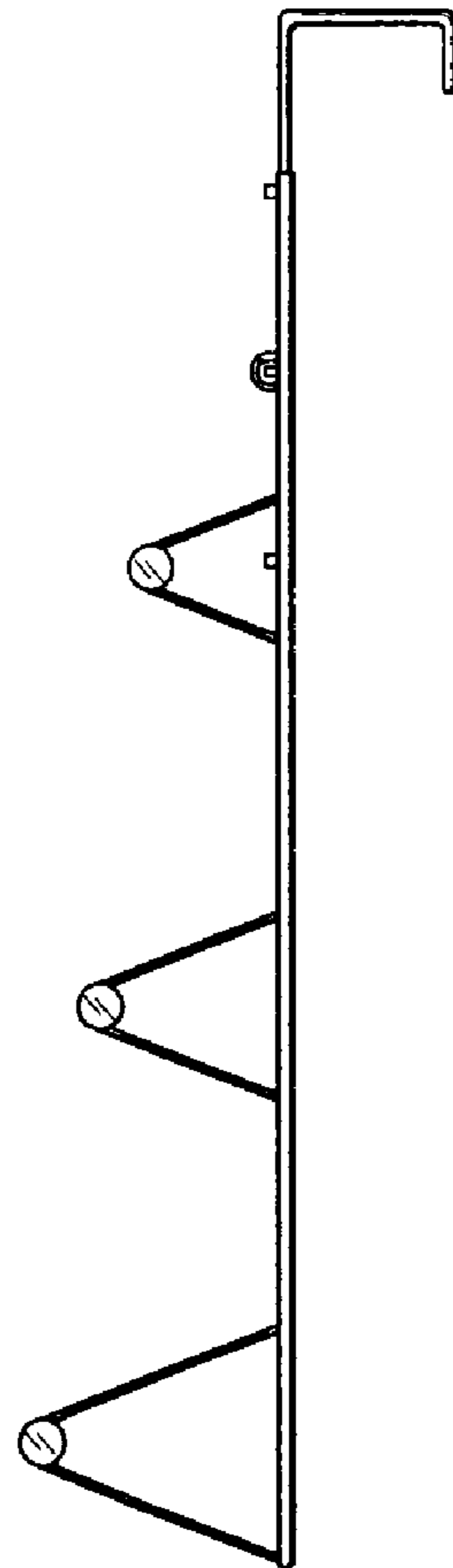


Fig-4