



US00D526518S

(12) **United States Design Patent**
Schiefer et al.

(10) **Patent No.:** **US D526,518 S**

(45) **Date of Patent:** **** Aug. 15, 2006**

(54) **BENCH SUPPORT**

(75) Inventors: **Sonja Schiefer**, Santa Monica, CA
(US); **Ana Maria Reza-Hadden**, San
Rafael, CA (US)

(73) Assignee: **Landscape Forms Inc.**, Kalamazoo, MI
(US)

(**) **Term:** **14 Years**

(21) Appl. No.: **29/252,507**

(22) Filed: **Jan. 24, 2006**

Related U.S. Application Data

(62) Division of application No. 29/216,585, filed on Nov. 5,
2004.

(51) **LOC (8) Cl.** **06-01**

(52) **U.S. Cl.** **D6/501**

(58) **Field of Classification Search** D6/334-337,
D6/349, 369, 381, 382, 384, 390, 391, 374,
D6/500-502; 297/232-233, 240, 242, 244-245,
297/445.1, 446.1, 451.9, 452.11, 452.12;
5/12.1

See application file for complete search history.

(56) **References Cited**

U.S. PATENT DOCUMENTS

D156,935 S 1/1950 Carlson D6/368
3,124,390 A * 3/1964 Eames et al. 297/452.19
3,887,230 A * 6/1975 Groning et al. 297/232
D256,300 S 8/1980 Yoshimura D6/368

4,234,227 A * 11/1980 Faust 297/440.18
D263,189 S 3/1982 Beals D6/495
D282,800 S * 3/1986 Sorensen D6/500
D330,119 S * 10/1992 Armgardt D6/372
D340,362 S * 10/1993 Kiel D6/368
D412,622 S 8/1999 DeJule D6/371
D442,379 S 5/2001 Vertongen D6/368
D493,293 S * 7/2004 Vira D6/349
D509,675 S 9/2005 Reza-Hadden D6/381
D510,204 S * 10/2005 Leib D6/374

OTHER PUBLICATIONS

“EXPOSIT”, Erlau A.G., Germany, 3 pp.

* cited by examiner

Primary Examiner—Sandra S. Snapp

(74) *Attorney, Agent, or Firm*—Heslin Rothenberg Farley
& Mesiti P.C.

(57) **CLAIM**

The ornamental design for a bench support, as shown and
described.

DESCRIPTION

FIG. 1 is an isometric view of the bench support of the
present invention;

FIG. 2 is a front elevation view thereof;

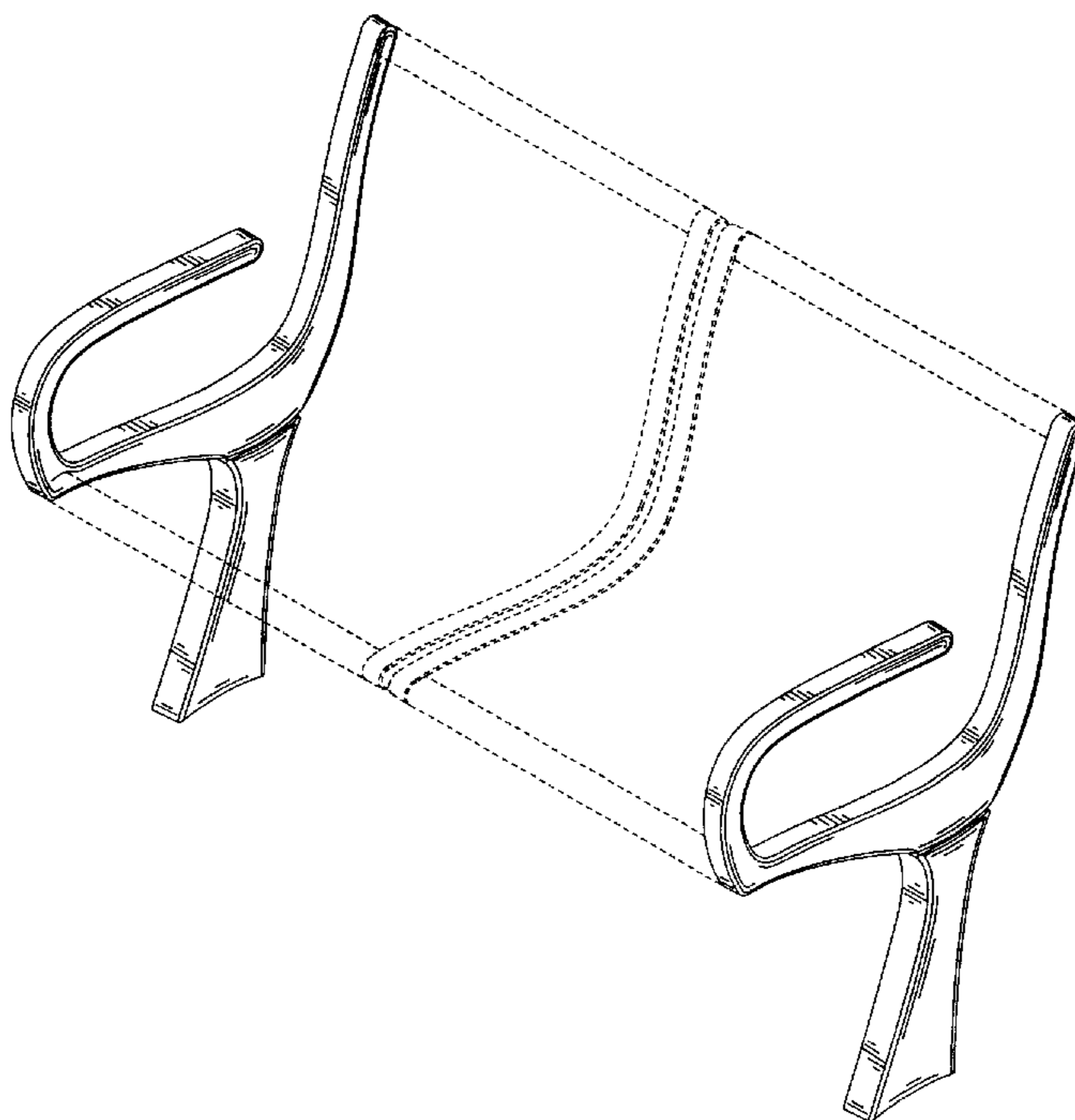
FIG. 3 is a right-side elevation view thereof, the left-side
elevation view being a mirror image thereof;

FIG. 4 is a top plan view thereof; and,

FIG. 5 is a rear elevation view thereof.

The broken line depiction is for illustrative purposes only
and forms no part of the claimed invention.

1 Claim, 5 Drawing Sheets



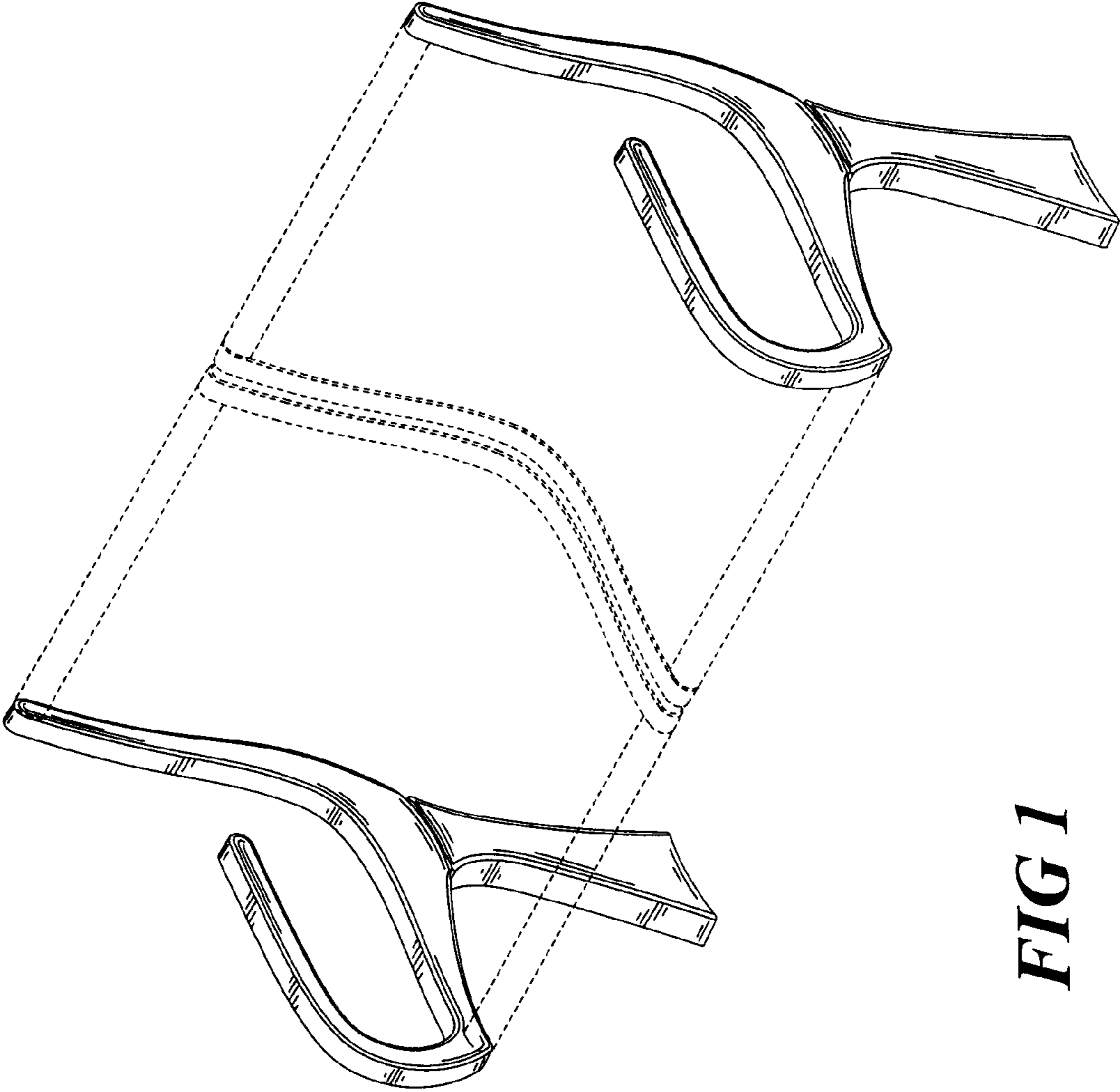


FIG 1

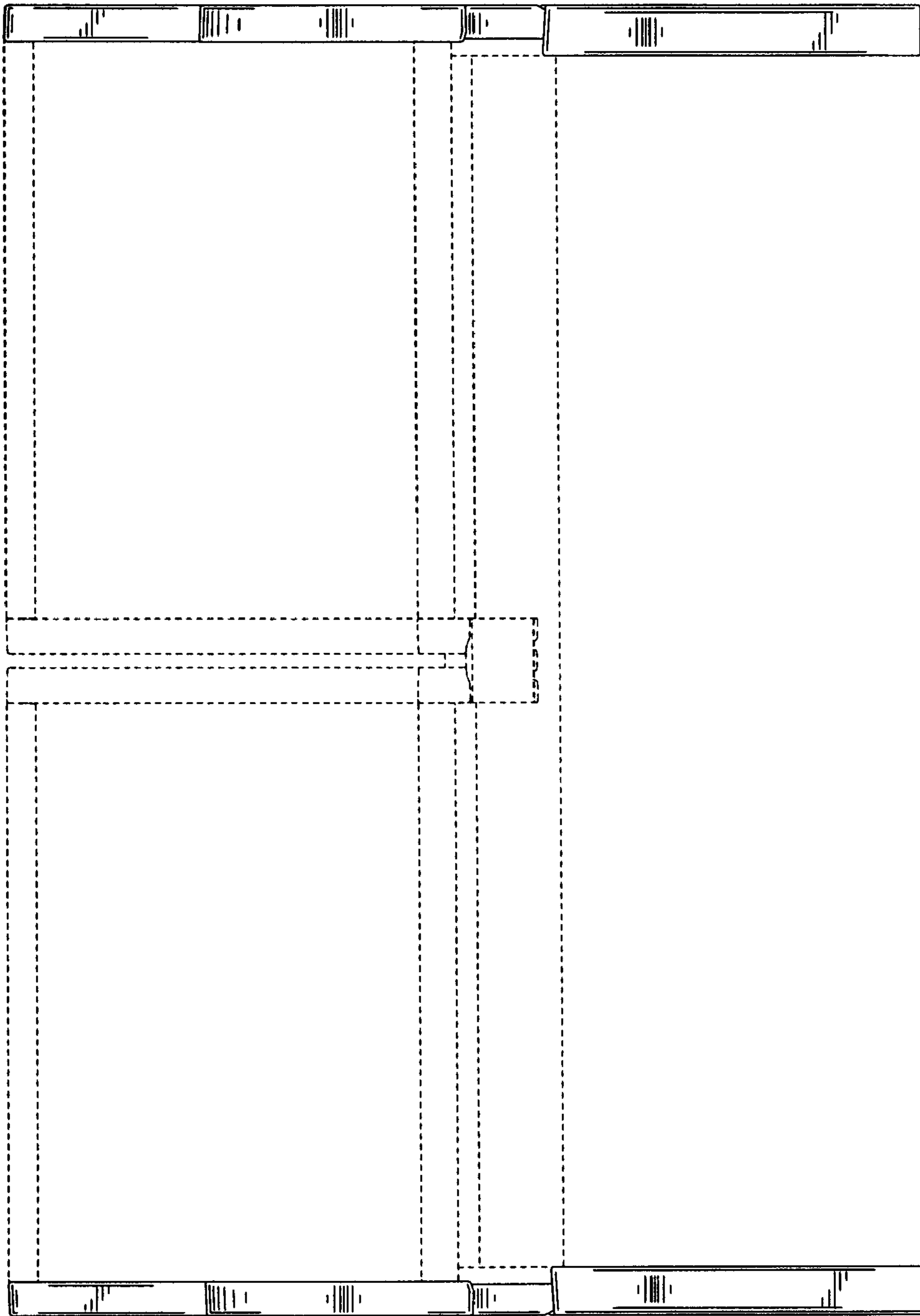


FIG 2

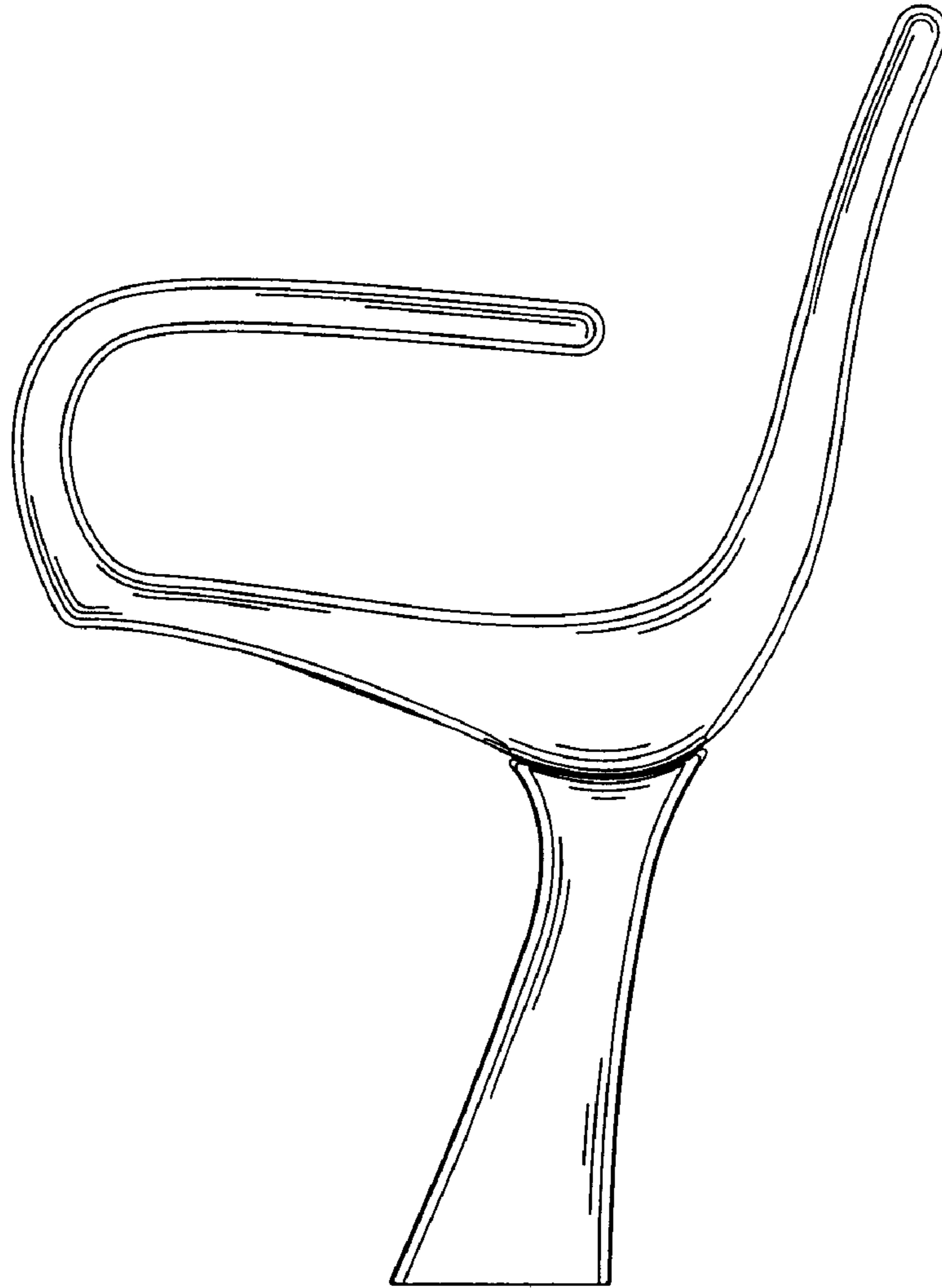


FIG 3

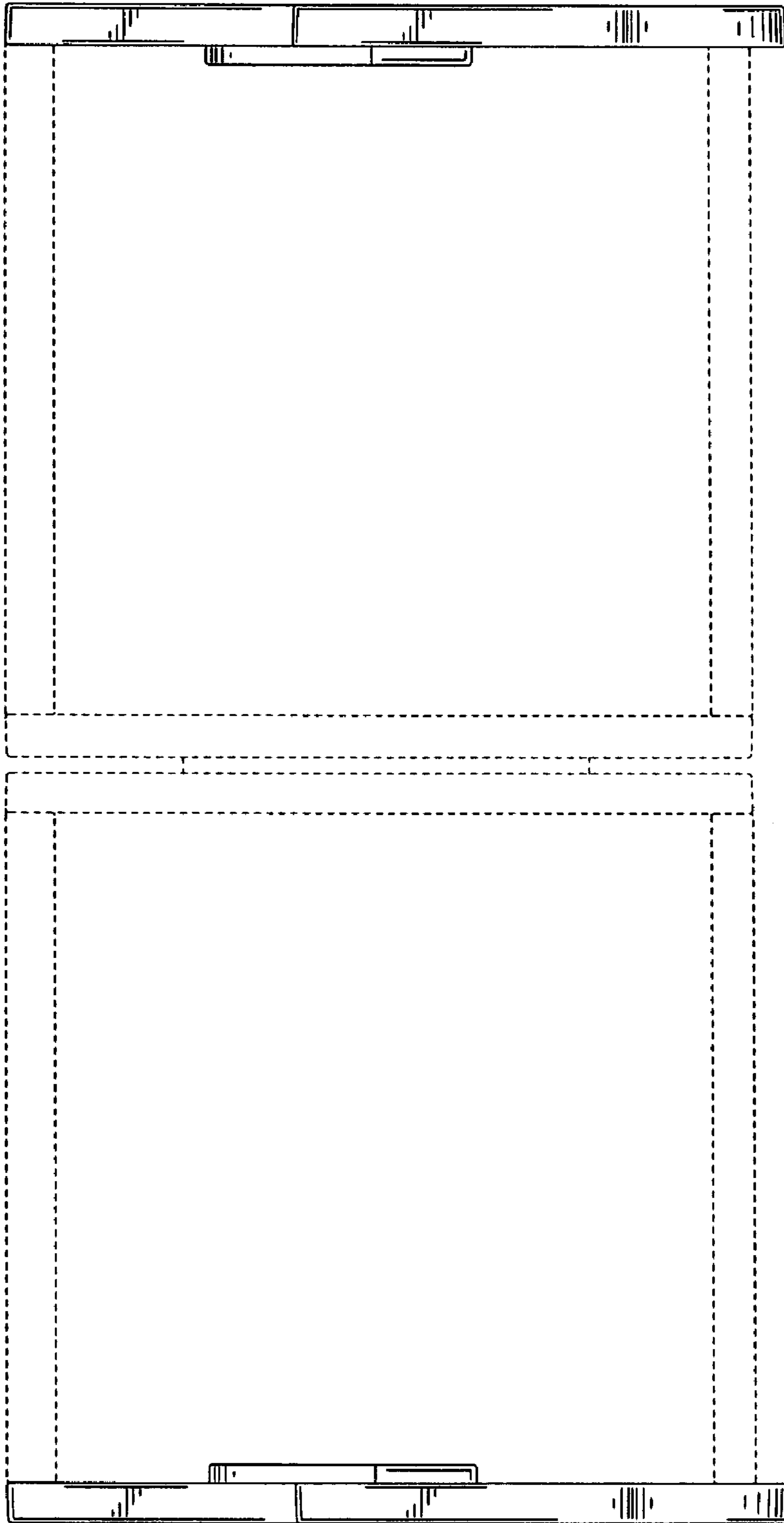


FIG 4

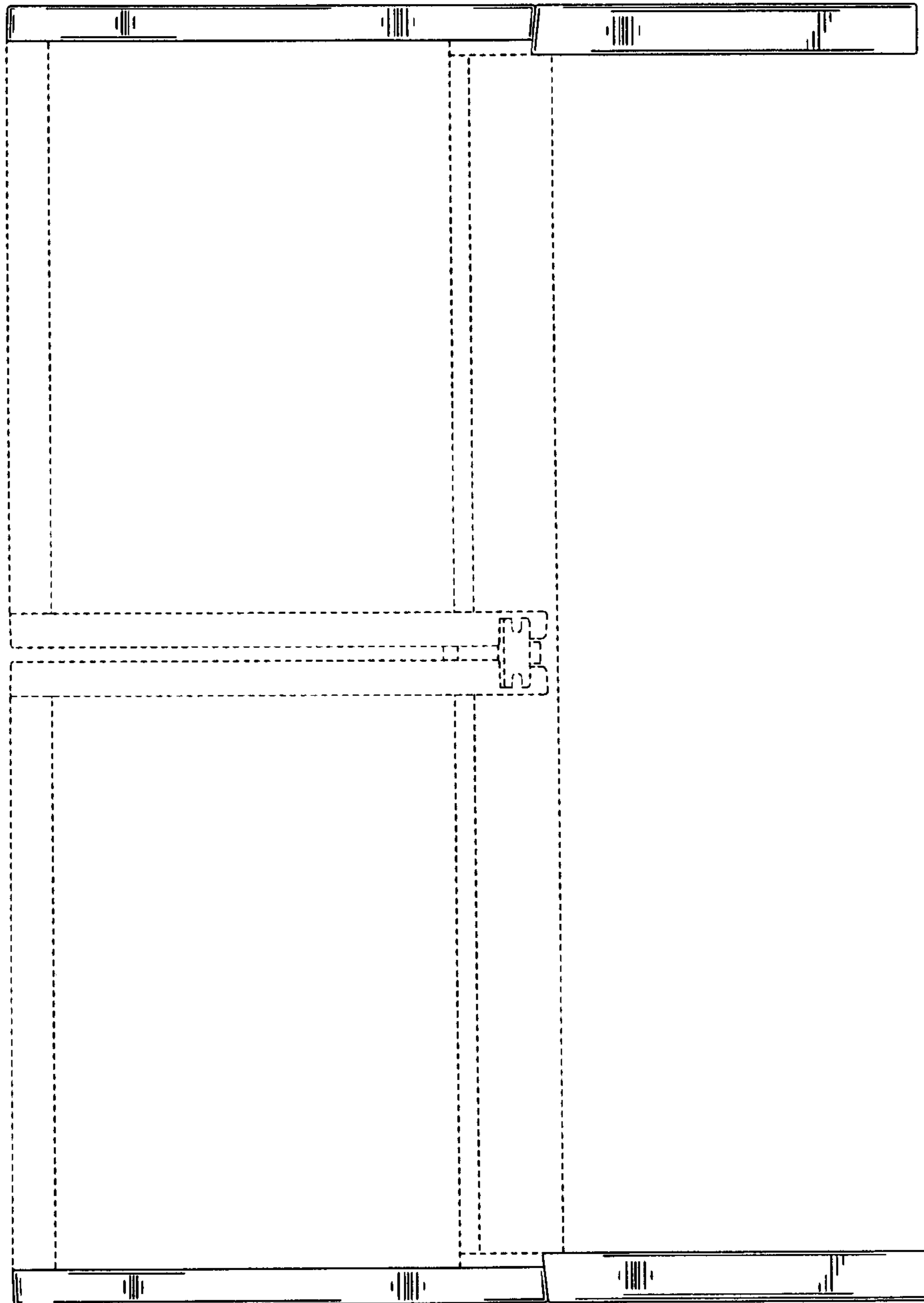


FIG 5