



US00D526517S

(12) **United States Design Patent**  
**Adams et al.**

(10) **Patent No.: US D526,517 S**

(45) **Date of Patent: \*\* Aug. 15, 2006**

(54) **CHAIR**

(75) Inventors: **Joseph W. Adams**, Strongsville, OH (US); **Christopher H. Delgado**, Stow, OH (US); **Robert R. Bly**, Wellington, OH (US); **John D. Lescher**, Sheffield Village, OH (US)

(73) Assignee: **Invacare Corporation**, Elyria, OH (US)

(\*\*) Term: **14 Years**

(21) Appl. No.: **29/204,186**

(22) Filed: **Apr. 26, 2004**

(51) **LOC (8) Cl.** ..... **06-06**

(52) **U.S. Cl.** ..... **D6/500; D6/374**

(58) **Field of Classification Search** ..... D6/334-336, D6/374, 375, 379, 380, 368, 500-502; 4/578.1; D23/303, 304; 297/183.1, 183.7, 445.1, 446.1, 297/451.11, 452.21  
See application file for complete search history.

(56) **References Cited**

**U.S. PATENT DOCUMENTS**

D355,985	S	*	3/1995	Karten et al.	.....	D6/374
5,536,068	A	*	7/1996	Valentor et al.	.....	297/452.21
D375,638	S	*	11/1996	Dhanapal et al.	.....	D6/377
5,755,489	A	*	5/1998	Rossman et al.	.....	297/338
5,887,297	A	*	3/1999	Sutor	.....	4/578.1
6,122,776	A	*	9/2000	Cheng	.....	4/578.1
D439,429	S	*	3/2001	Higgs et al.	.....	D6/368
D478,749	S	*	8/2003	Gilbert et al.	.....	D6/500
D478,750	S	*	8/2003	Gilbert et al.	.....	D6/500
D478,752	S	*	8/2003	Gilbert et al.	.....	D6/374
D479,051	S	*	9/2003	Darst et al.	.....	D6/335
D479,067	S	*	9/2003	Gilbert et al.	.....	D6/502

**OTHER PUBLICATIONS**

CAREX Universal Bath Bench With Back; <http://www.apex-carex.com/products.jsp?repno=B671-C0&langID=1> Last Accessed from the World Wide Web on Apr. 26, 2004, p. 1.

Six (6) photos showing various views of CAREX chair model No. B671000, p. 1-6.

One (1) page of CAREX Rubbermaid model No. B670/B671 chair; printed Jun. 2000, p. 1.

\* cited by examiner

*Primary Examiner*—Mimosa De

(74) *Attorney, Agent, or Firm*—Calfee, Halter & Griswold LLP

(57) **CLAIM**

The ornamental design for a chair, as shown and described.

**DESCRIPTION**

FIG. 1 is a perspective view of a first embodiment of the chair;

FIG. 2 is a left side view of the embodiment of FIG. 1;

FIG. 3 is a rear view of the embodiment of FIG. 1;

FIG. 4 is a right side view of the embodiment of FIG. 1;

FIG. 5 is a front view of the embodiment of FIG. 1;

FIG. 6 is a top view of the embodiment of FIG. 1;

FIG. 7 is a bottom view of the embodiment of FIG. 1;

FIG. 8 is a perspective view of a second embodiment of the chair;

FIG. 9 is a left side view of the embodiment of FIG. 8;

FIG. 10 is a rear view of the embodiment of FIG. 8;

FIG. 11 is a right side view of the embodiment of FIG. 8;

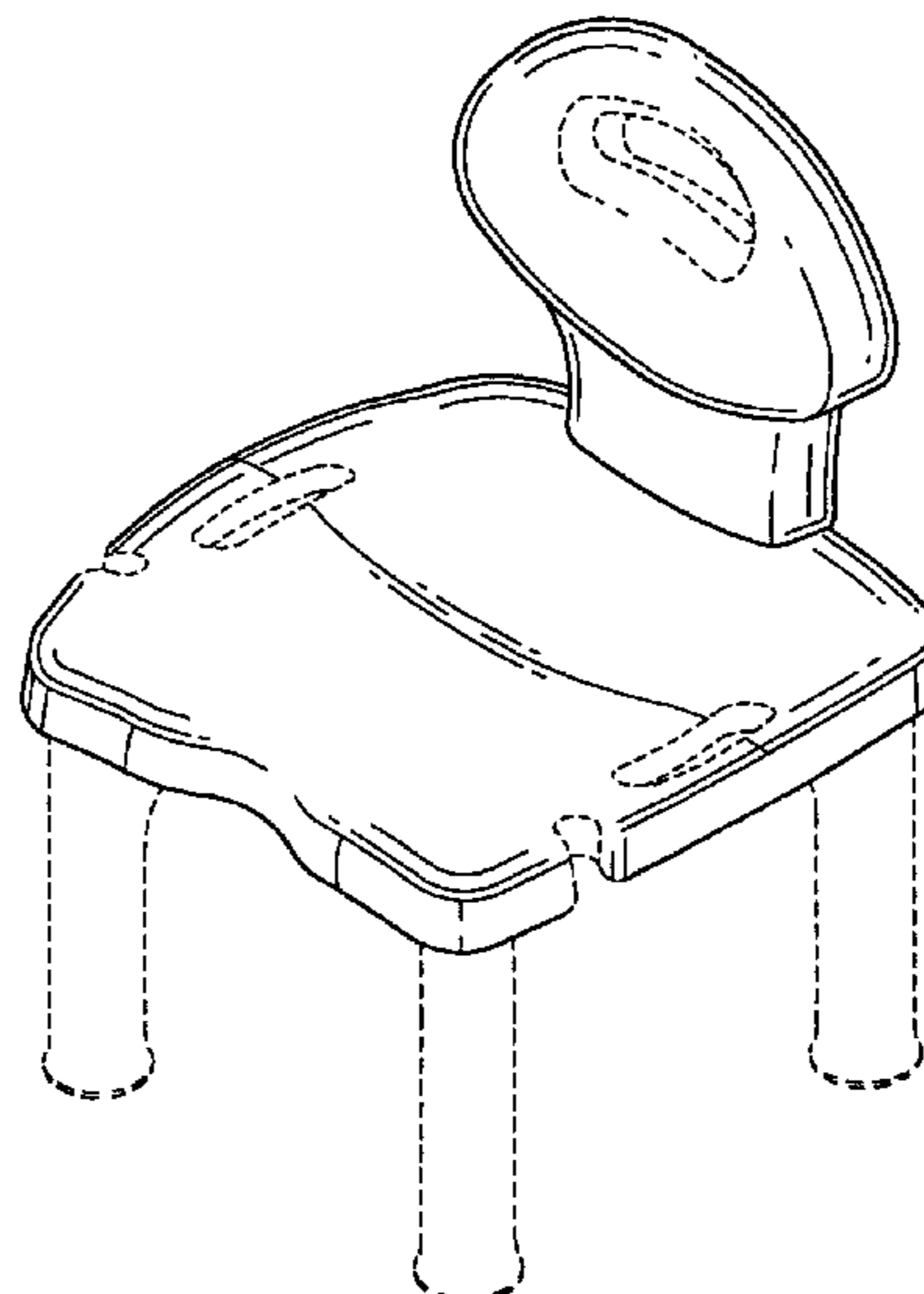
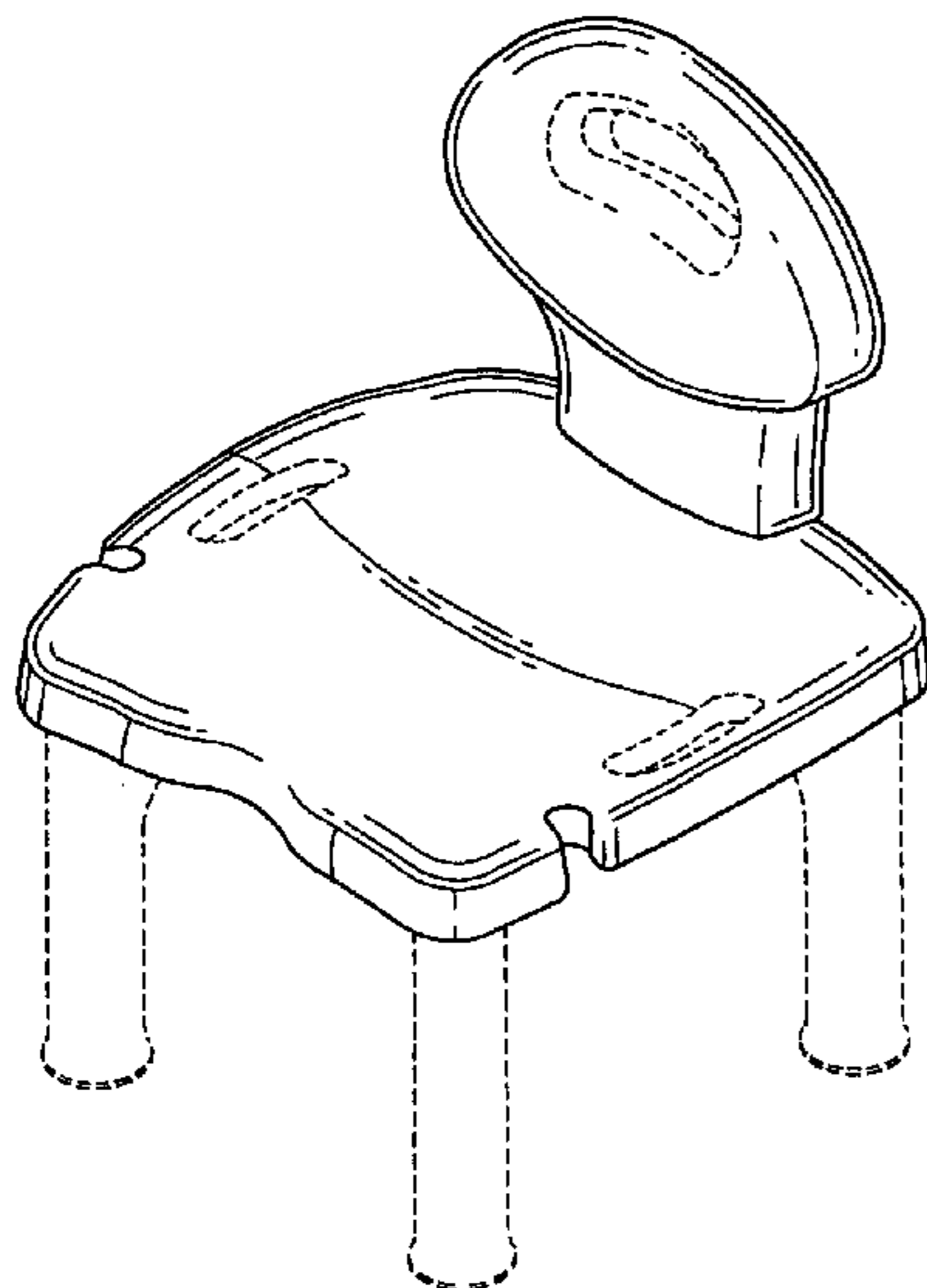
FIG. 12 is a front view of the embodiment of FIG. 8;

FIG. 13 is a top view of the embodiment of FIG. 8; and,

FIG. 14 is a bottom view of the embodiment of FIG. 8.

The portions of the Figures shown in phantom lines are not part of the claimed design but are for illustration only.

**1 Claim, 8 Drawing Sheets**



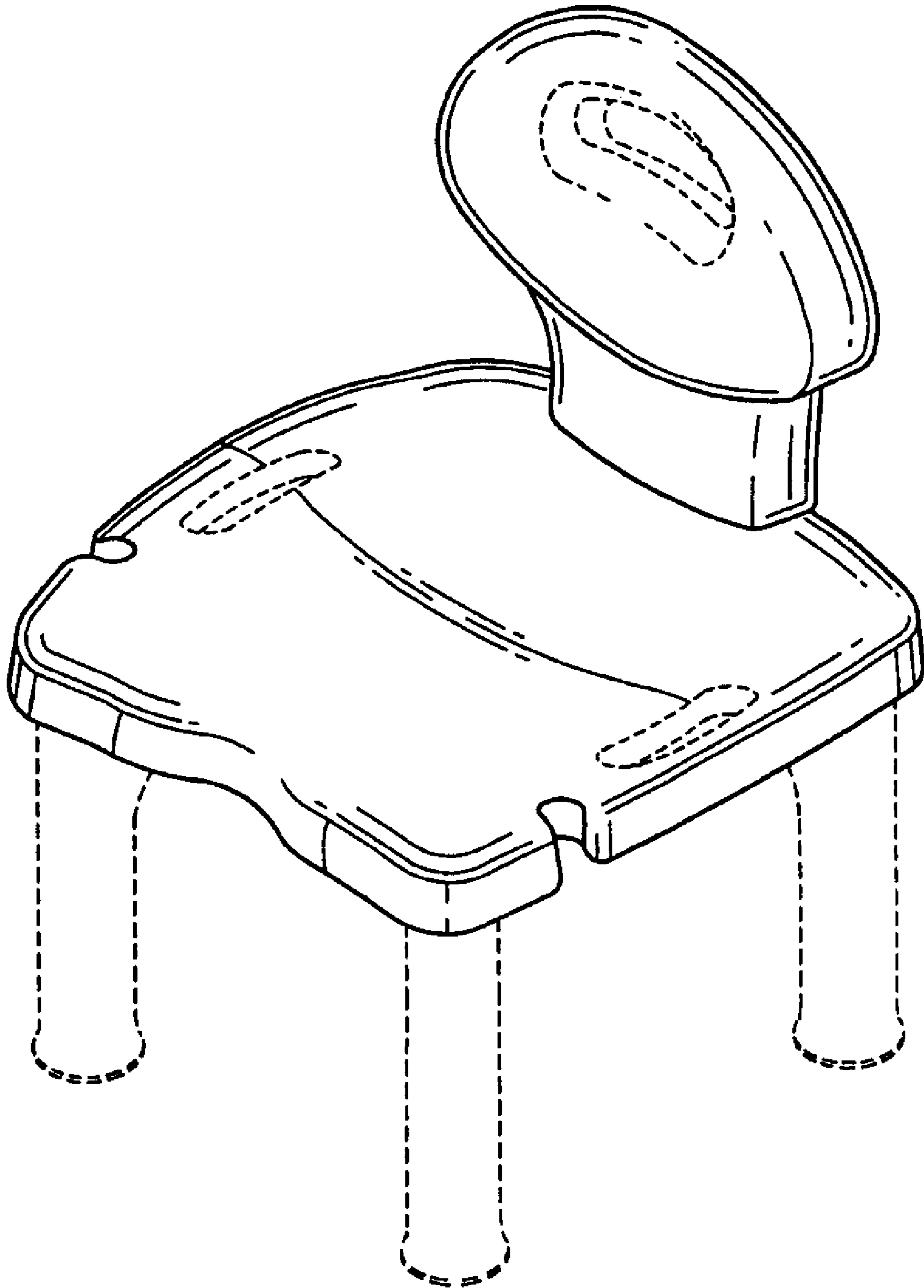


FIG. 1

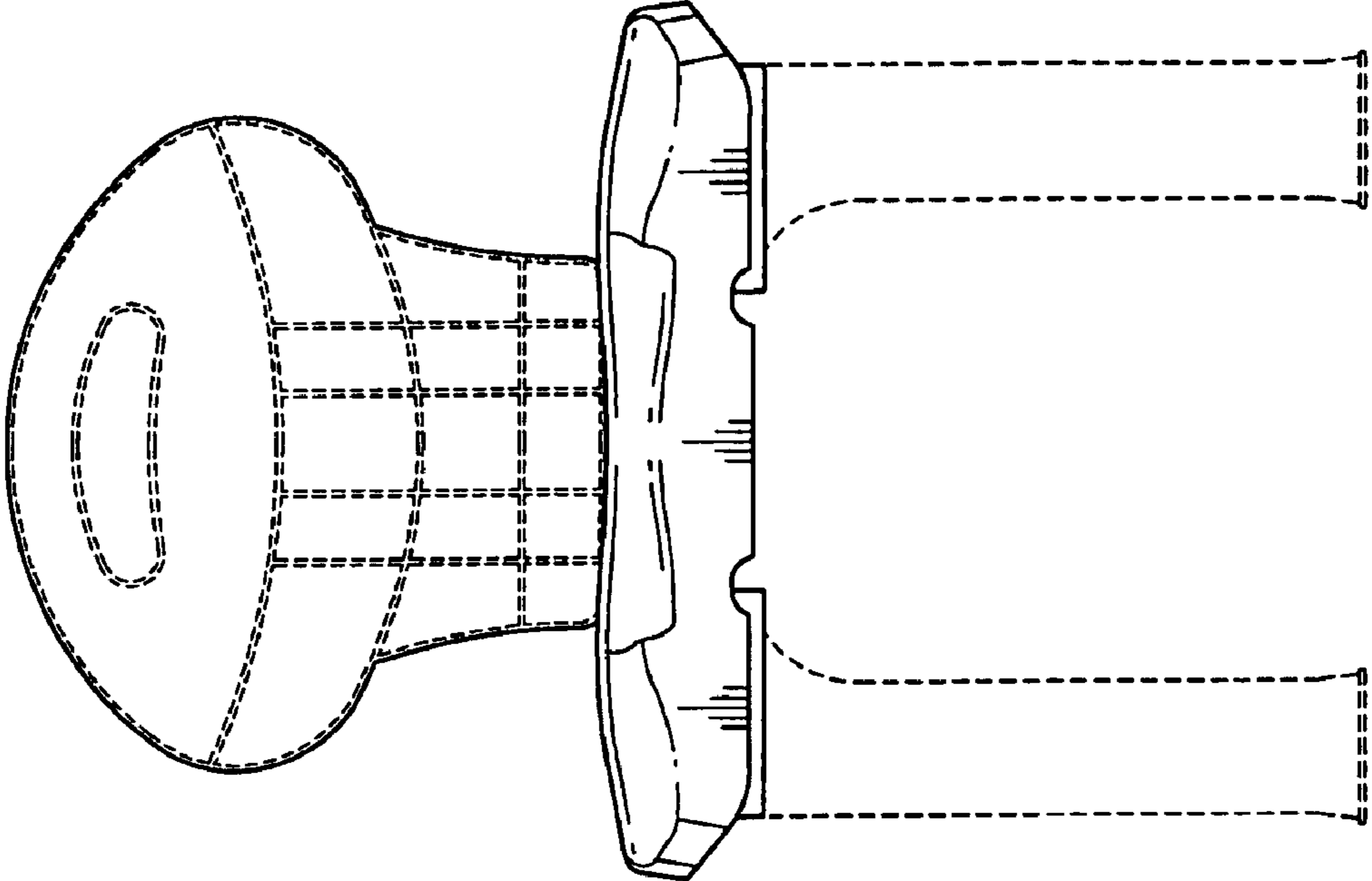


FIG. 3

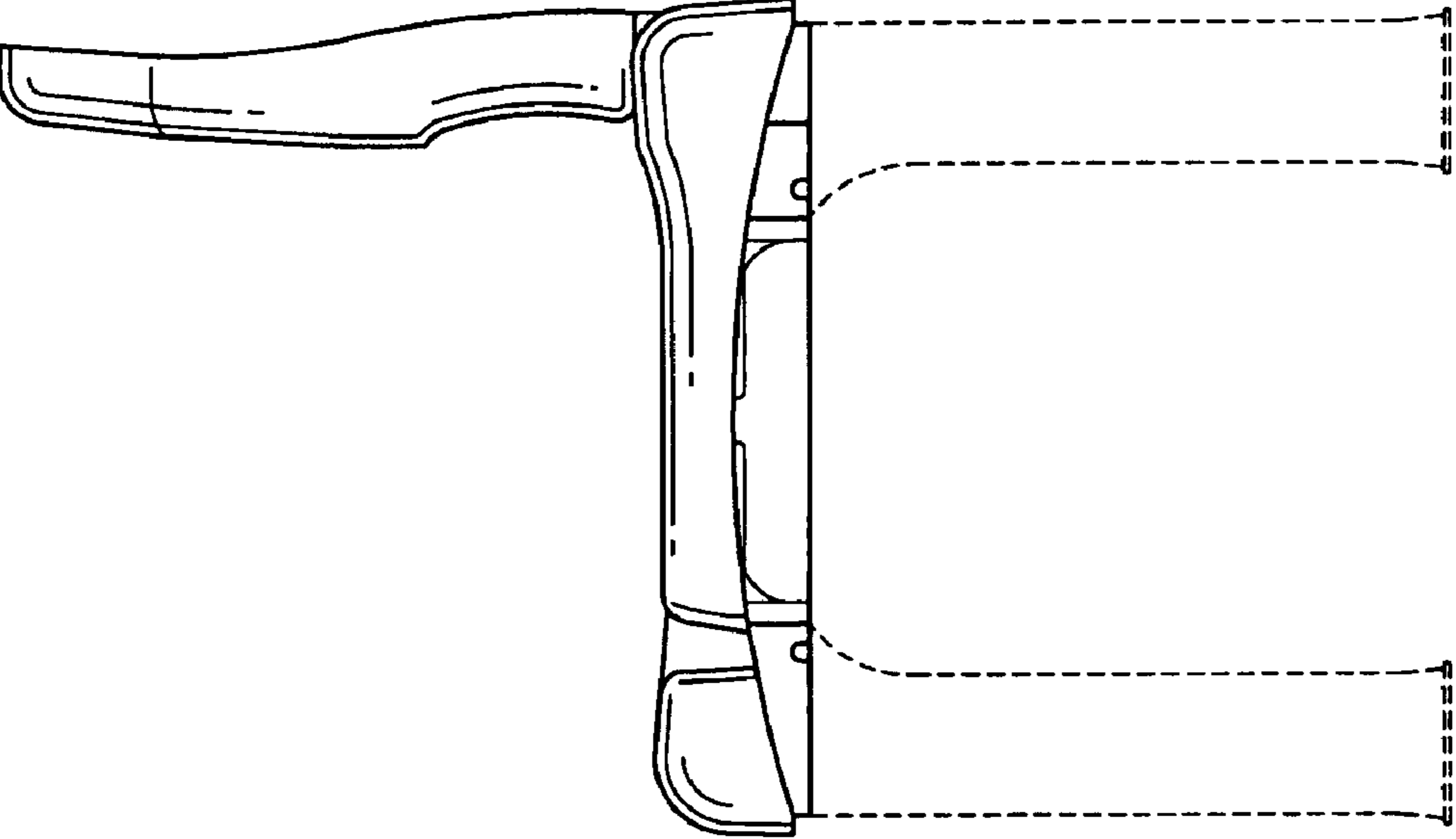


FIG. 2

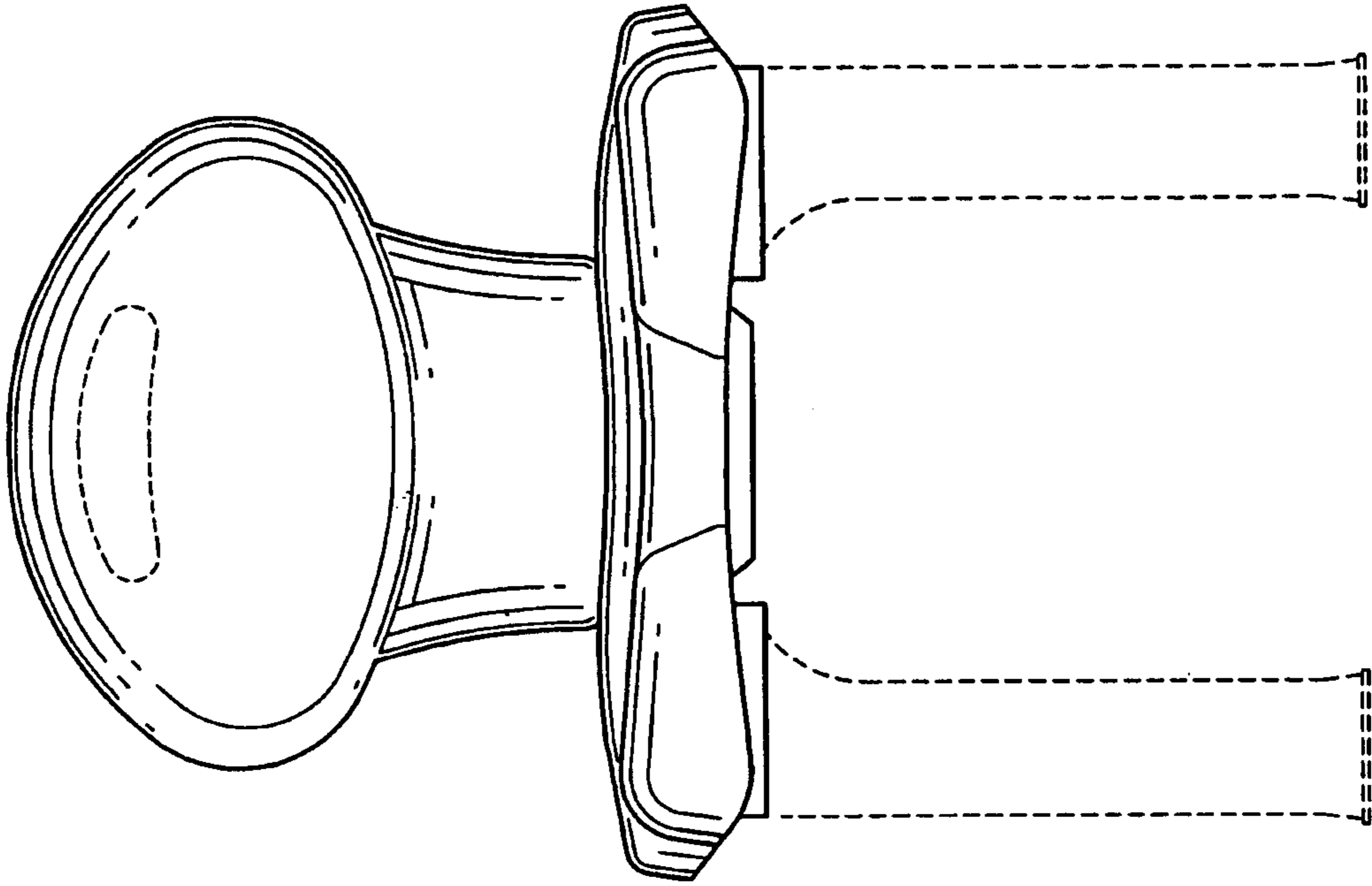


FIG. 5

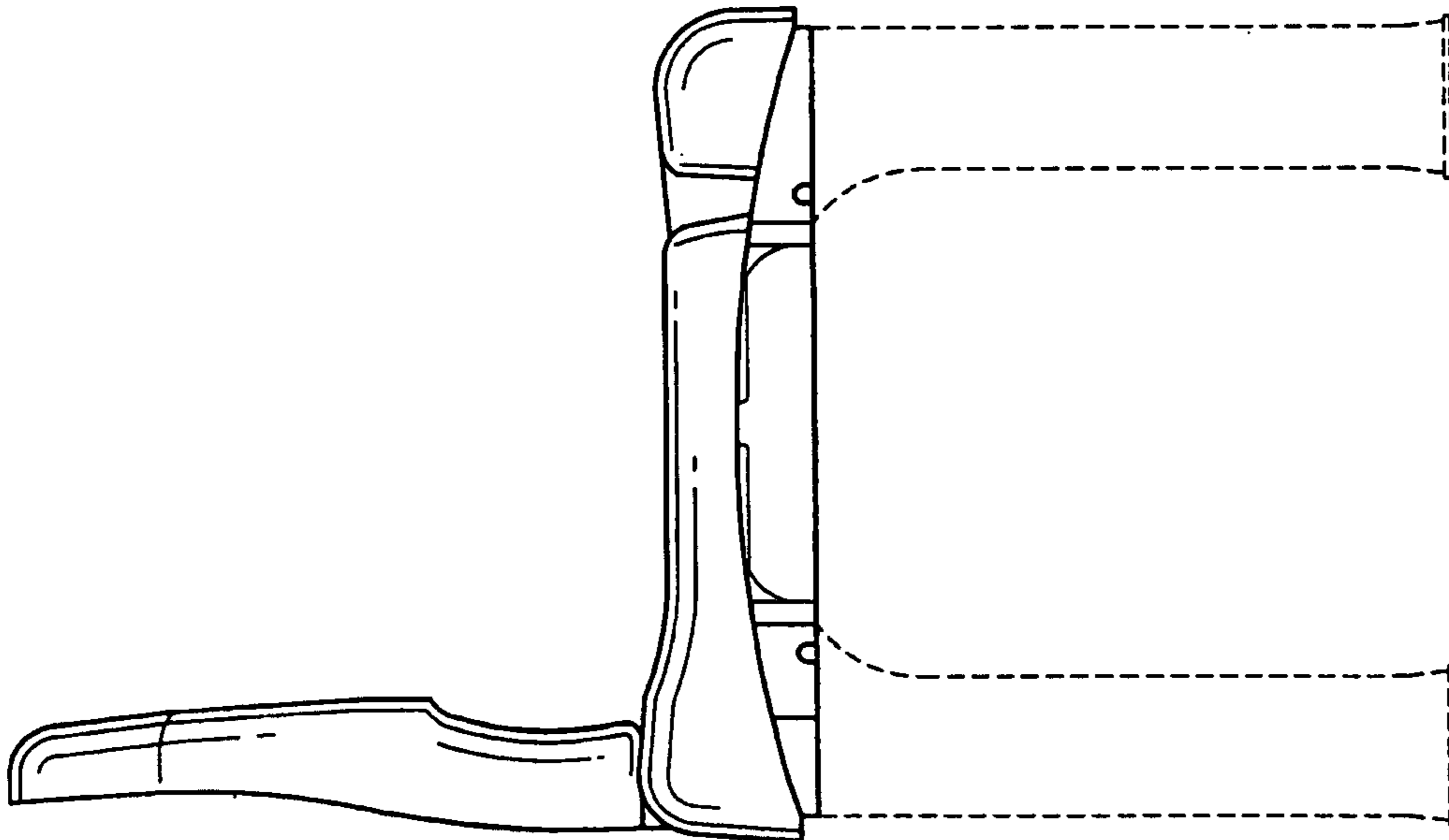


FIG. 4

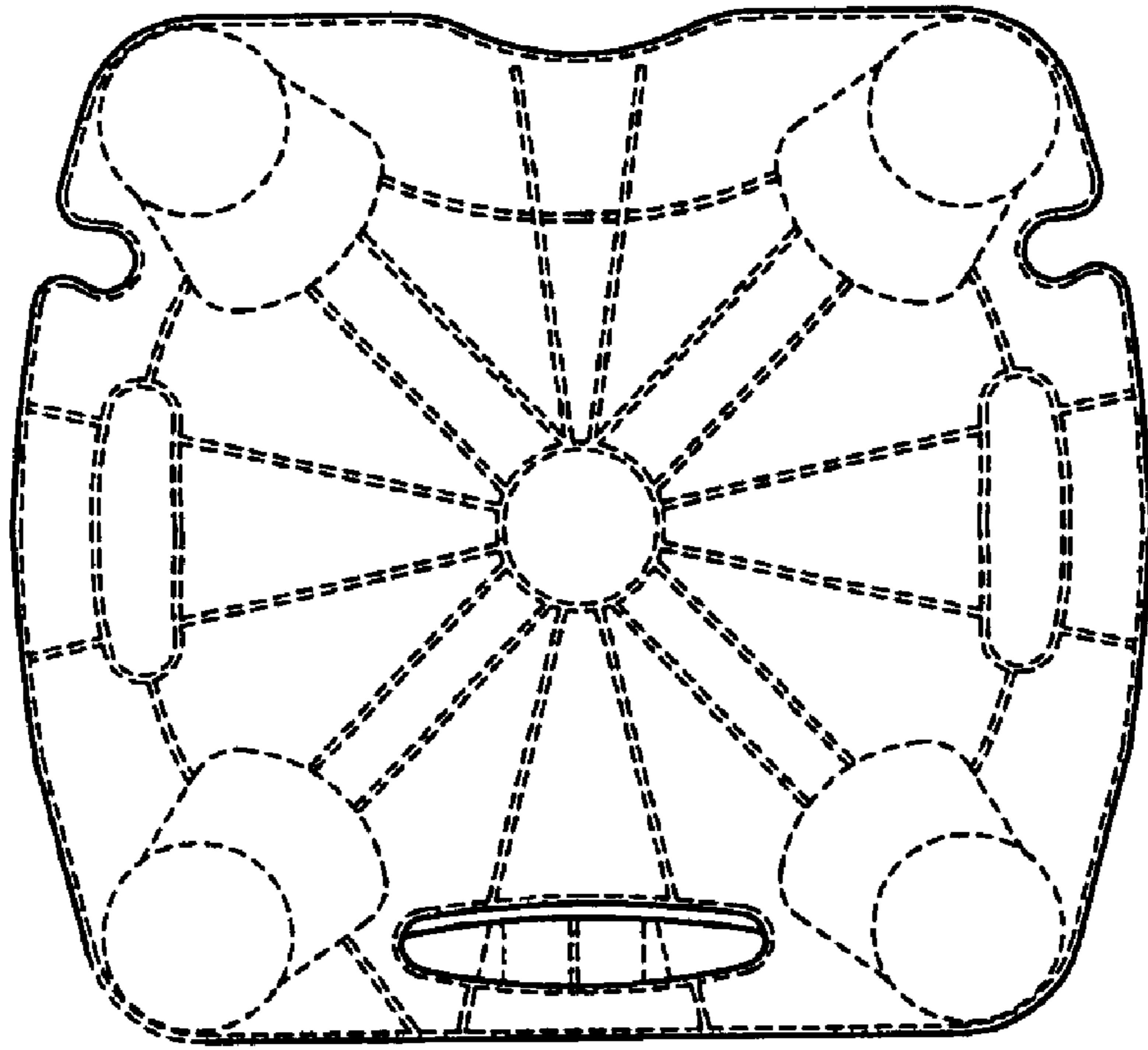


FIG. 7

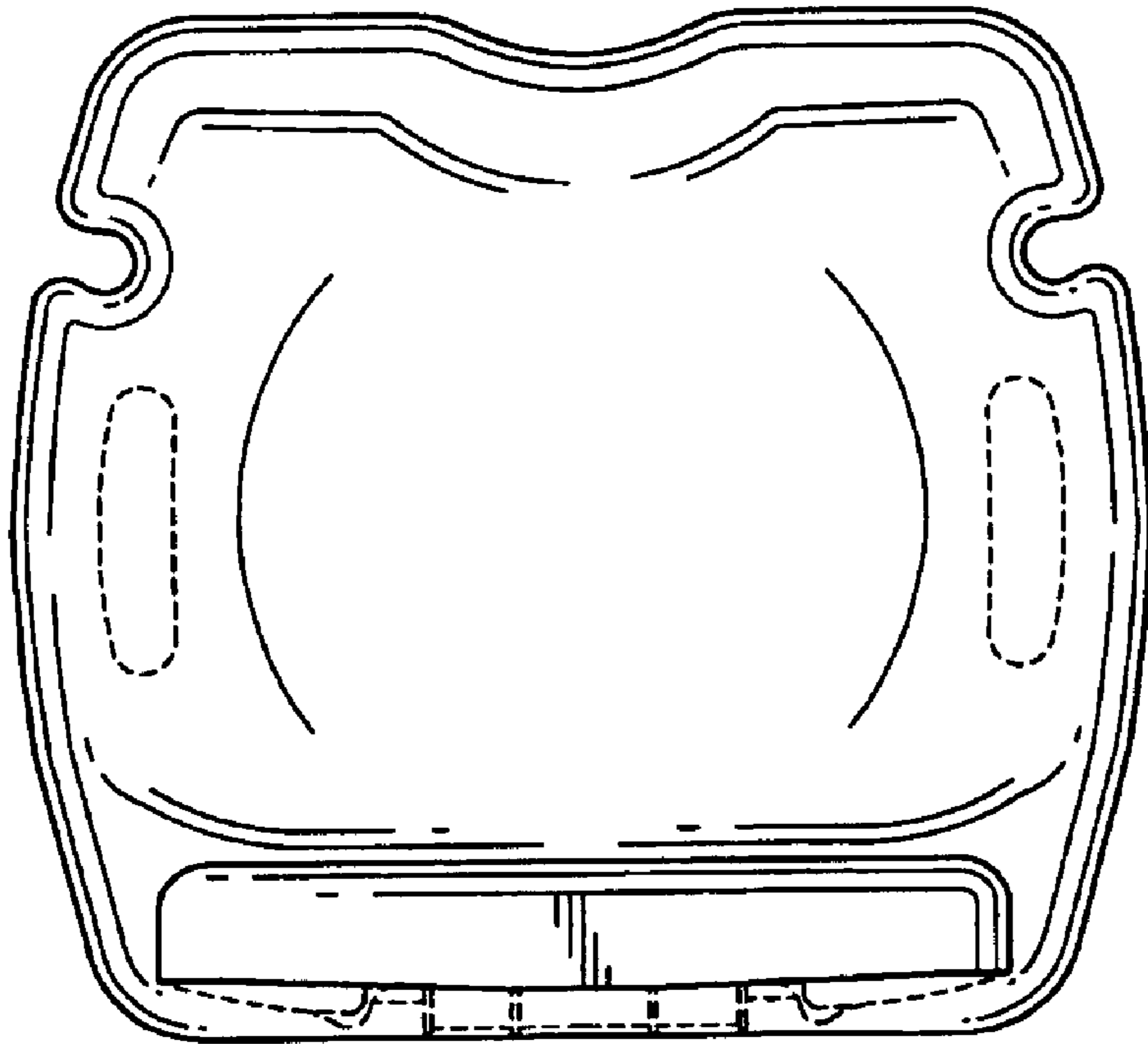


FIG. 6



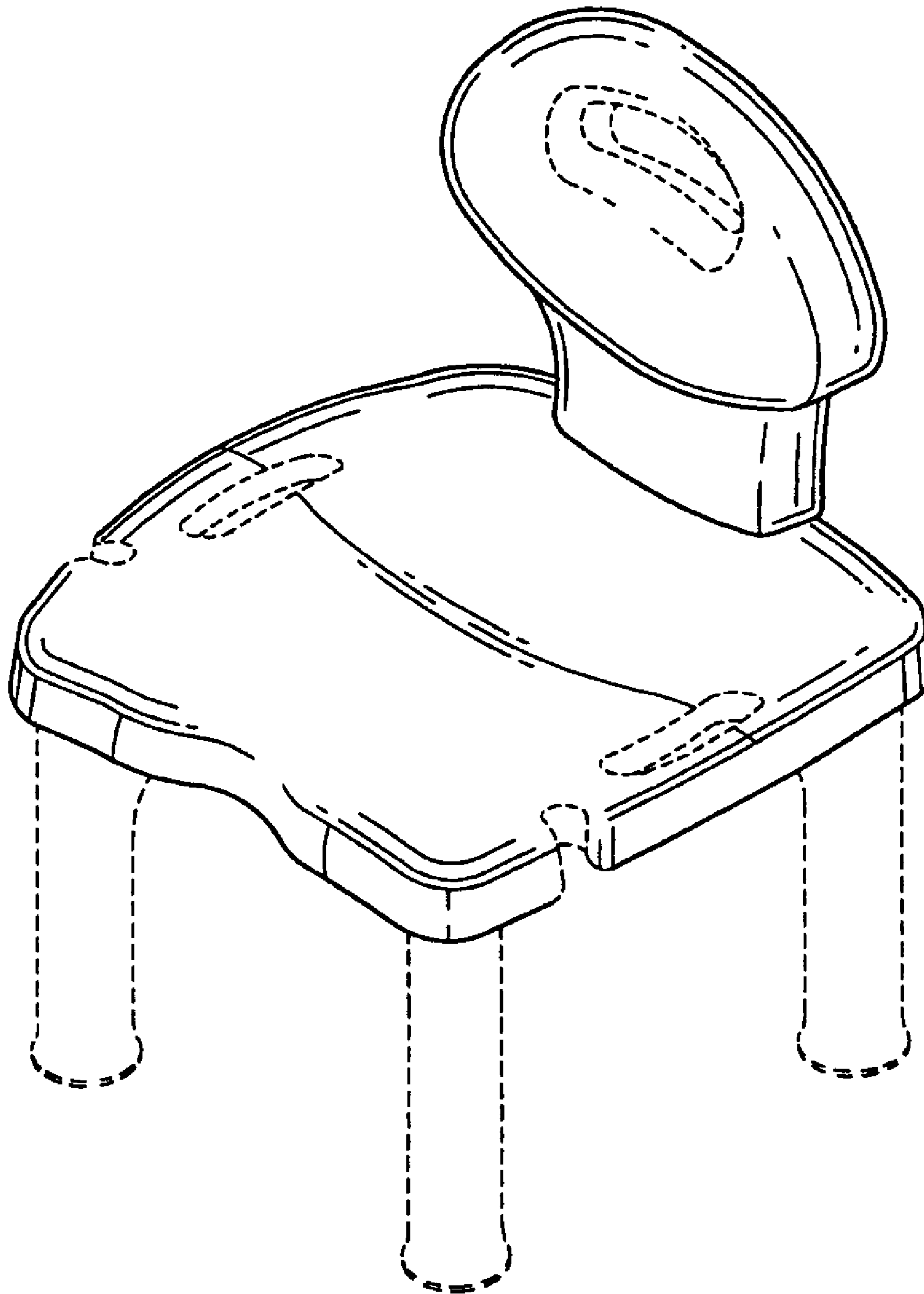


FIG. 8

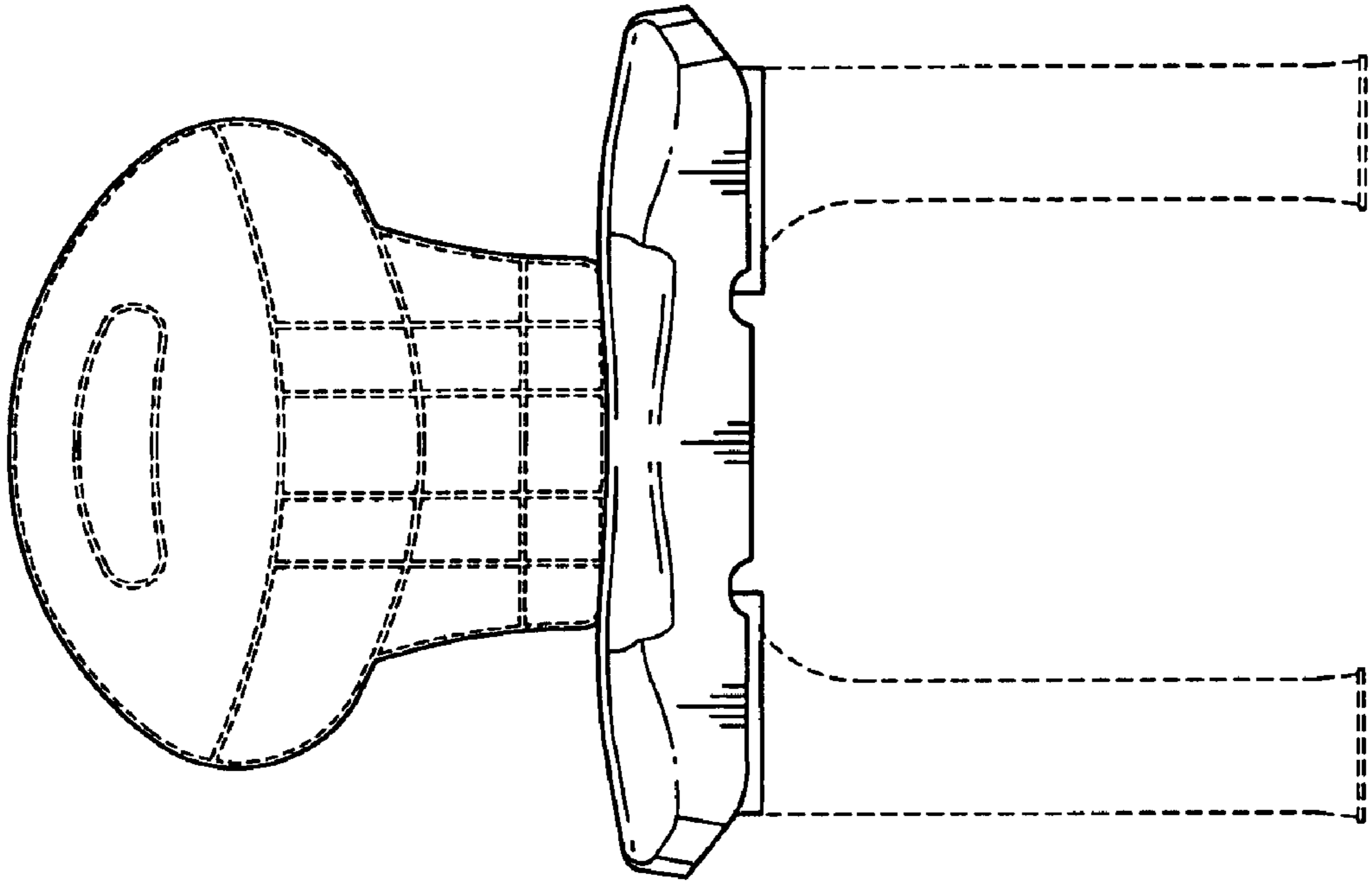


FIG. 9

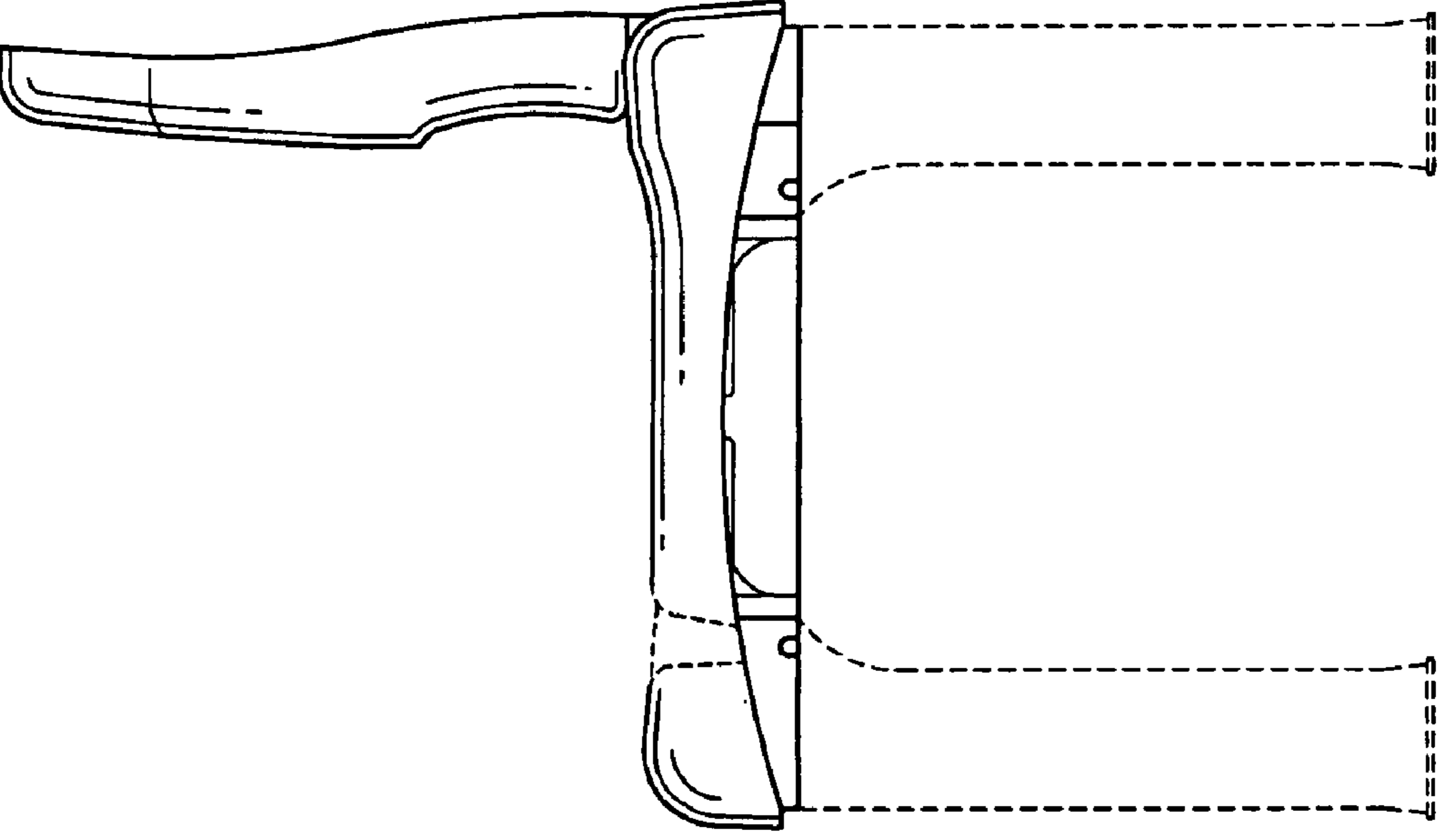


FIG. 10

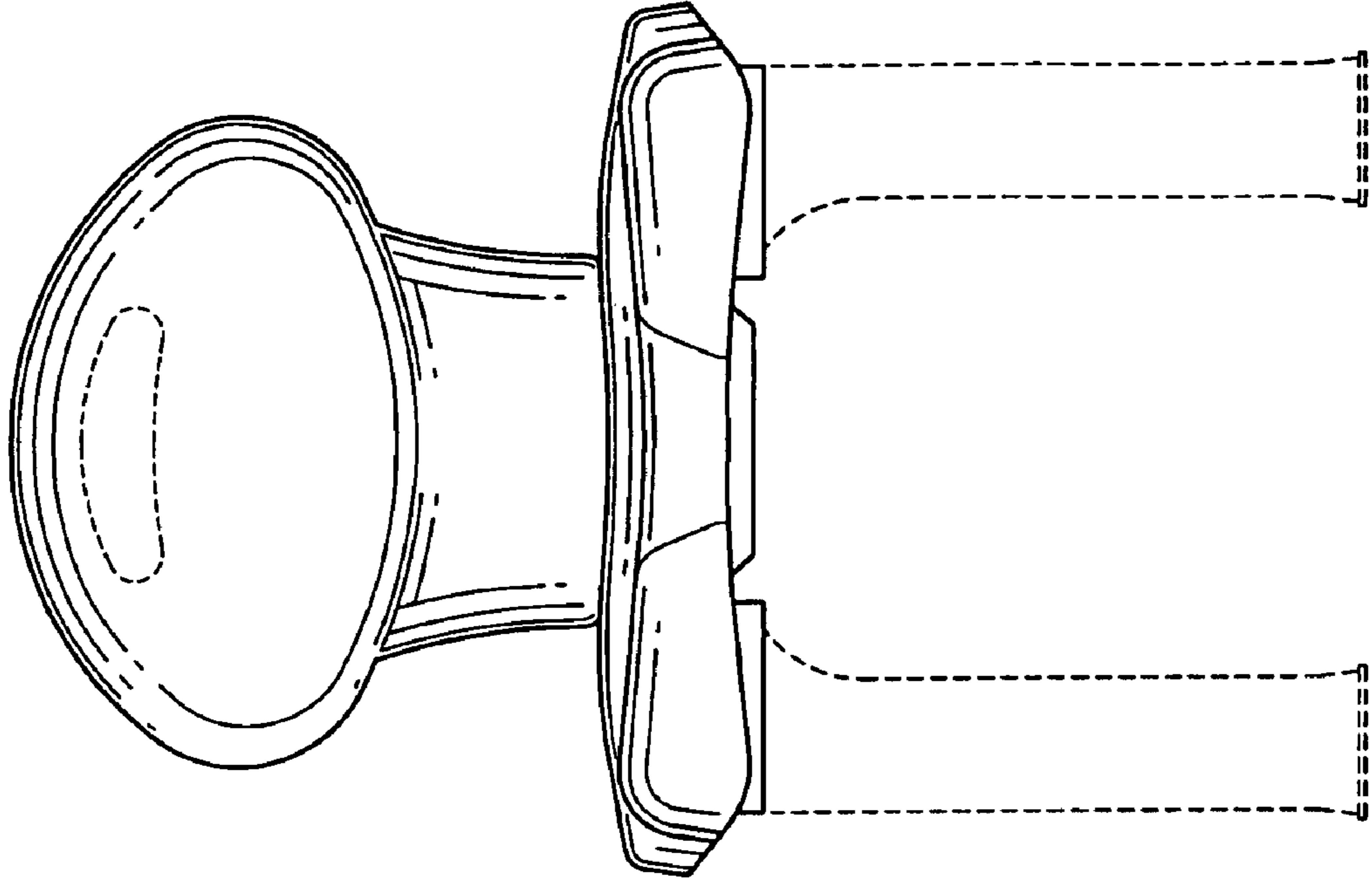


FIG. 12

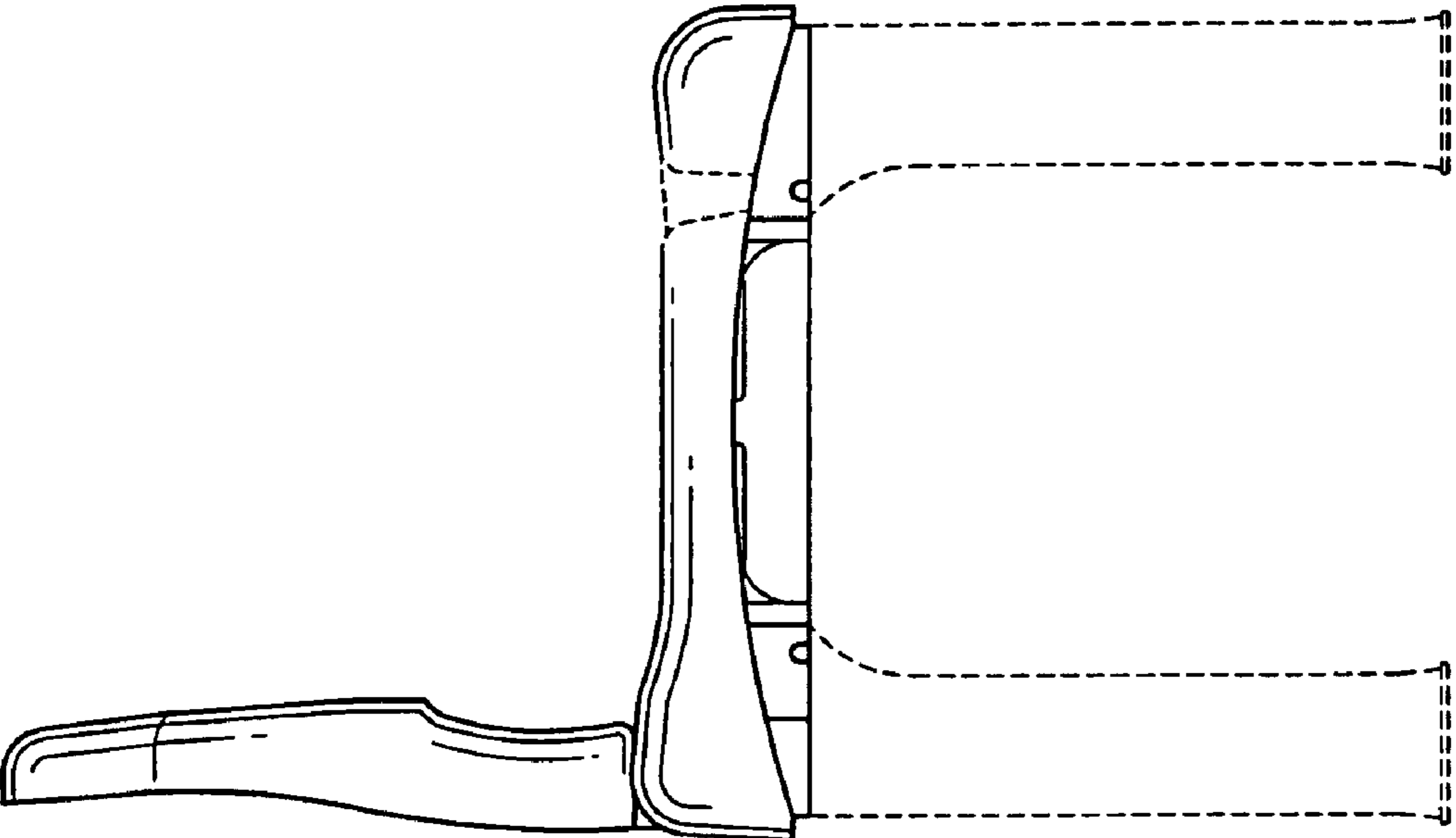


FIG. 11



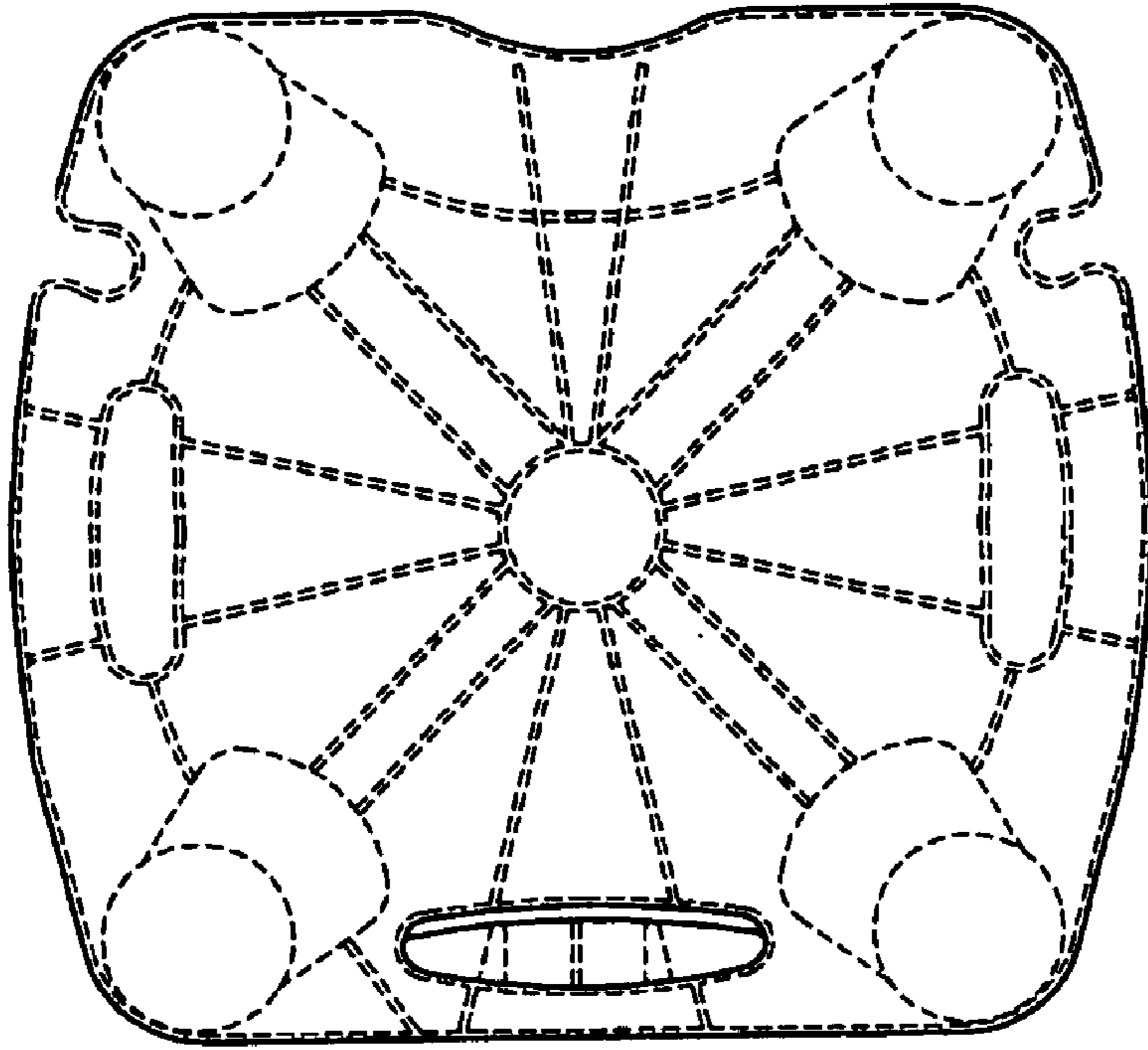


FIG. 14

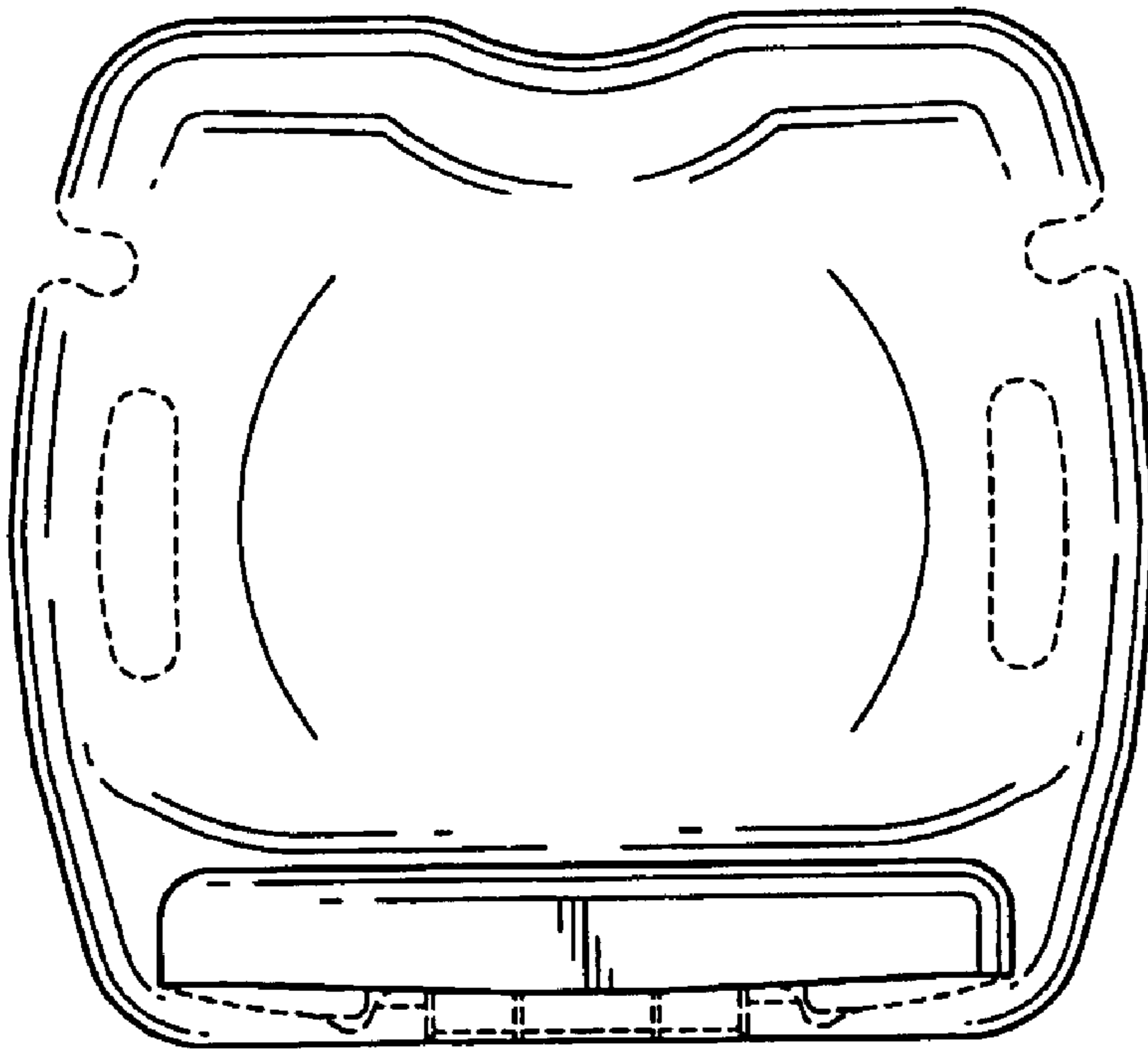


FIG. 13