

US00D526513S

(12) **United States Design Patent**
Moyle et al.

(10) **Patent No.:** **US D526,513 S**

(45) **Date of Patent:** **** *Aug. 15, 2006**

(54) **STAND**

(75) Inventors: **Peter B. Moyle**, Howick (NZ); **Peke C P E Hallenheim**, Auckland (NZ)

(73) Assignee: **Critertion Manufacturing Limited**, Auckland (NZ)

(*) Notice: This patent is subject to a terminal disclaimer.

(**) Term: **14 Years**

(21) Appl. No.: **29/225,516**

(22) Filed: **Mar. 16, 2005**

(30) **Foreign Application Priority Data**

Sep. 17, 2004 (AU) 14464/2004

(51) **LOC (8) Cl.** **06-04**

(52) **U.S. Cl.** **D6/479**

(58) **Field of Classification Search** D6/460, D6/461, 468, 474, 477-479; D14/126, 129; 312/7.2, 9.1; 108/59, 91, 92, 96; 211/40, 211/41.12, 42, 49.1, 50, 85.2, 90.04, 187, 211/190, 119.003, 134.153, 87.01, 71.01

See application file for complete search history.

(56) **References Cited**

U.S. PATENT DOCUMENTS

D466,333 S * 12/2002 Hwang D6/441
D493,982 S * 8/2004 deCarolis D6/477
D498,617 S * 11/2004 Murphy et al. D6/479

* cited by examiner

Primary Examiner—Cathron C. Brooks

(74) *Attorney, Agent, or Firm*—Intellectual Property Group LLP; Otto O. Lee; Juneko Jackson

(57) **CLAIM**

The ornamental design for a stand, as shown and described.

DESCRIPTION

FIG. 1 is a front elevational view of a stand embodying our design.

FIG. 2 is a top plan view thereof.

FIG. 3 is a rear elevational view thereof.

FIG. 4 is a left side elevational view thereof.

FIG. 5 is a right side elevational view thereof.

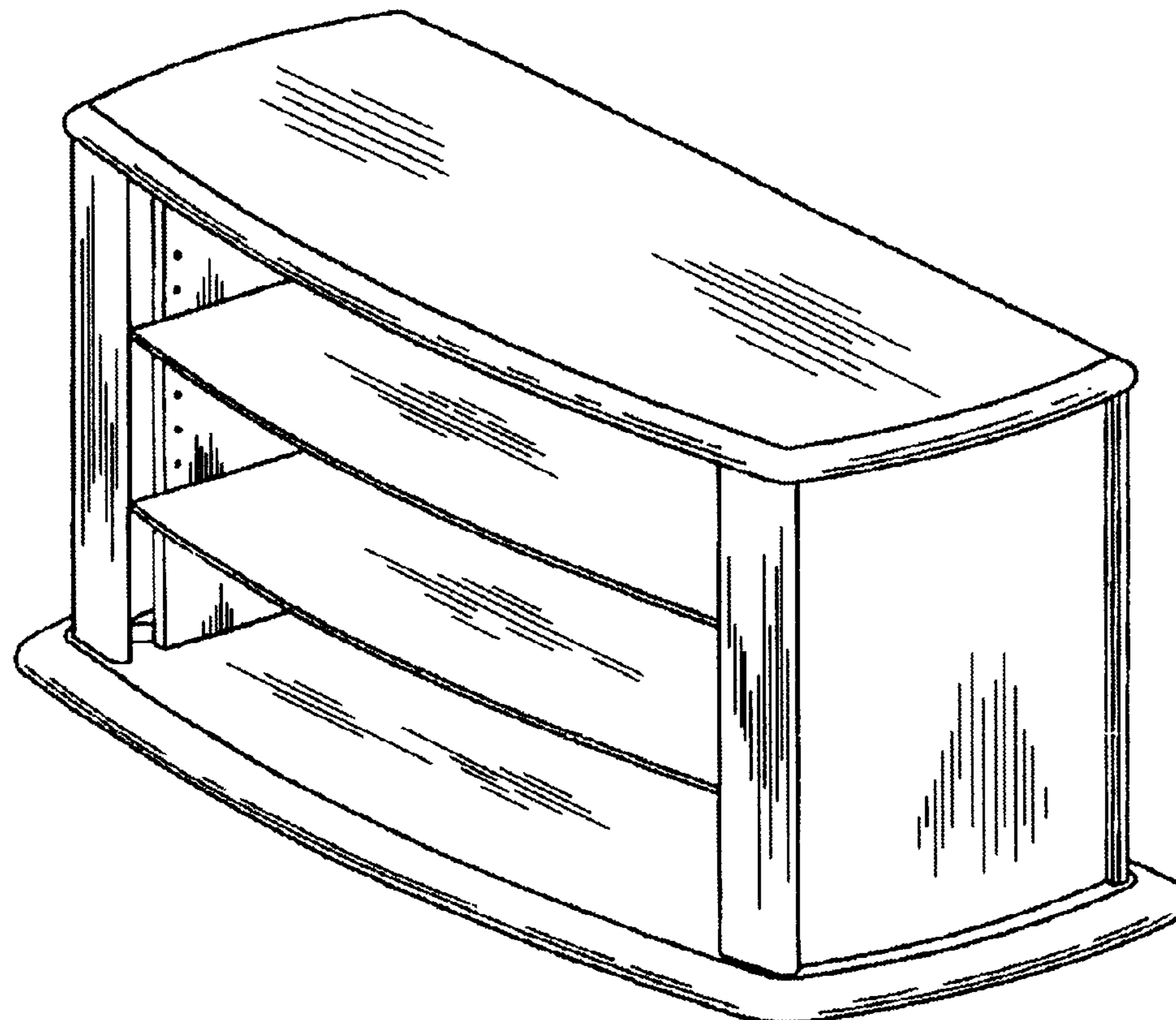
FIG. 6 is a left side front perspective view thereof.

FIG. 7 is a right side front perspective view thereof.

FIG. 8 is a left side rear perspective view thereof; and,

FIG. 9 is a right side rear perspective view thereof.

1 Claim, 3 Drawing Sheets



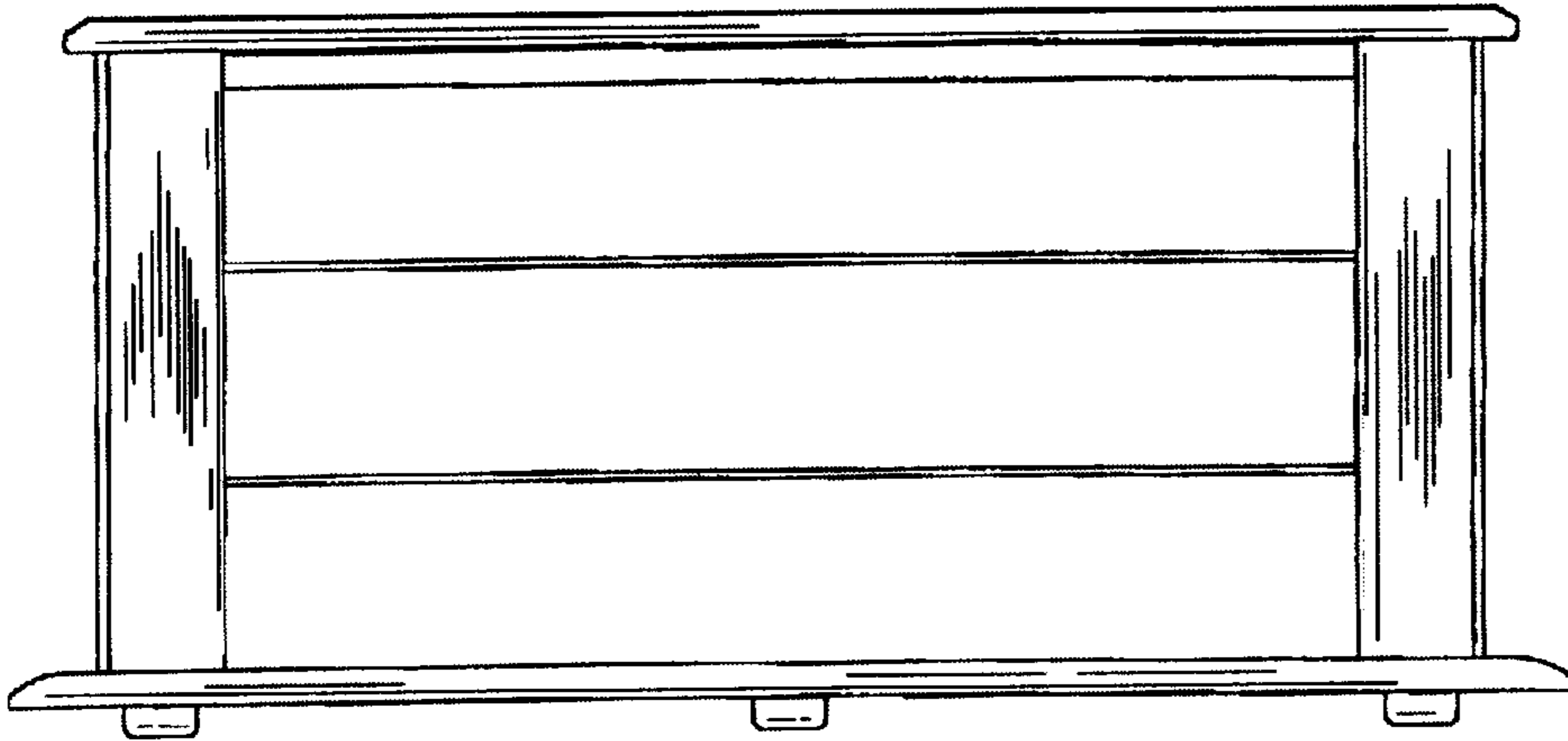


FIG. 1

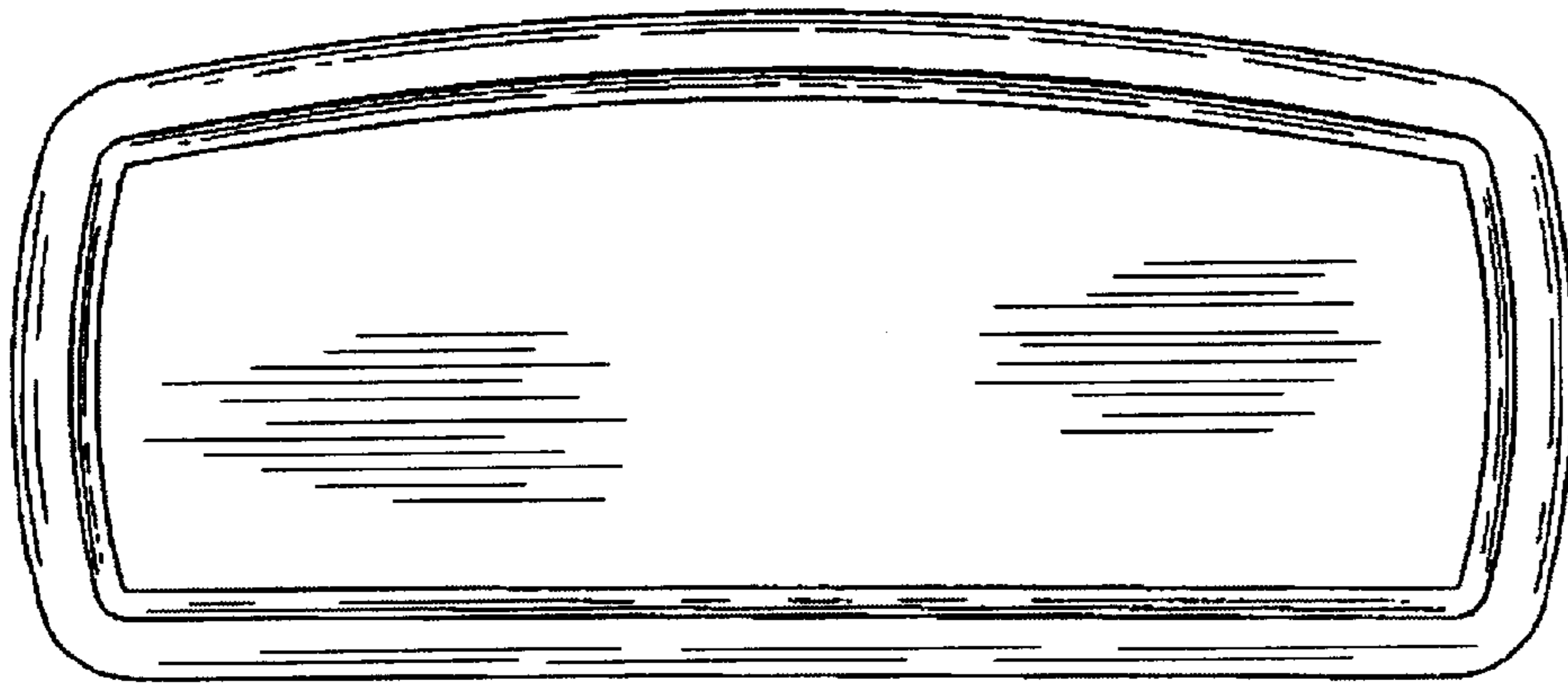


FIG. 2

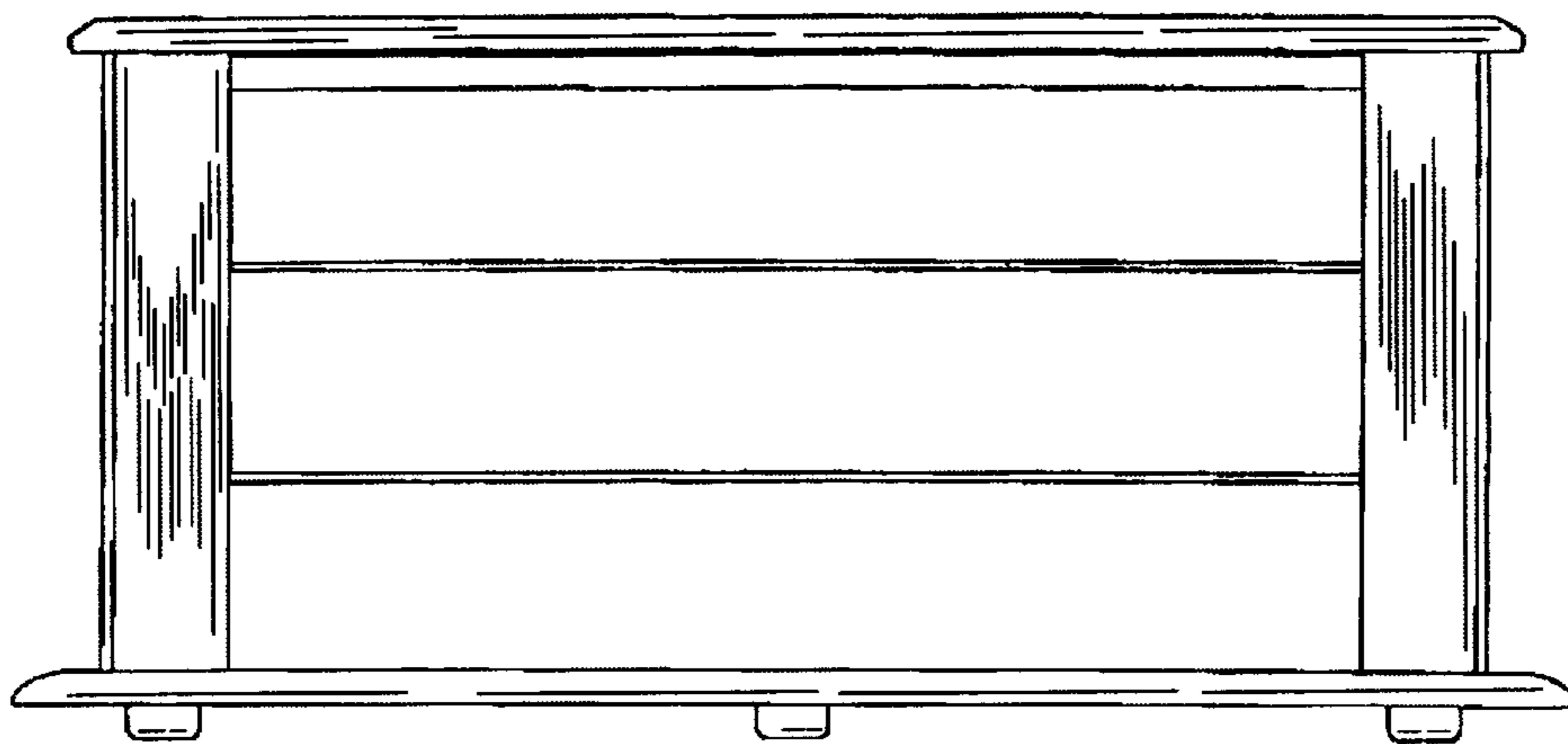


FIG. 3

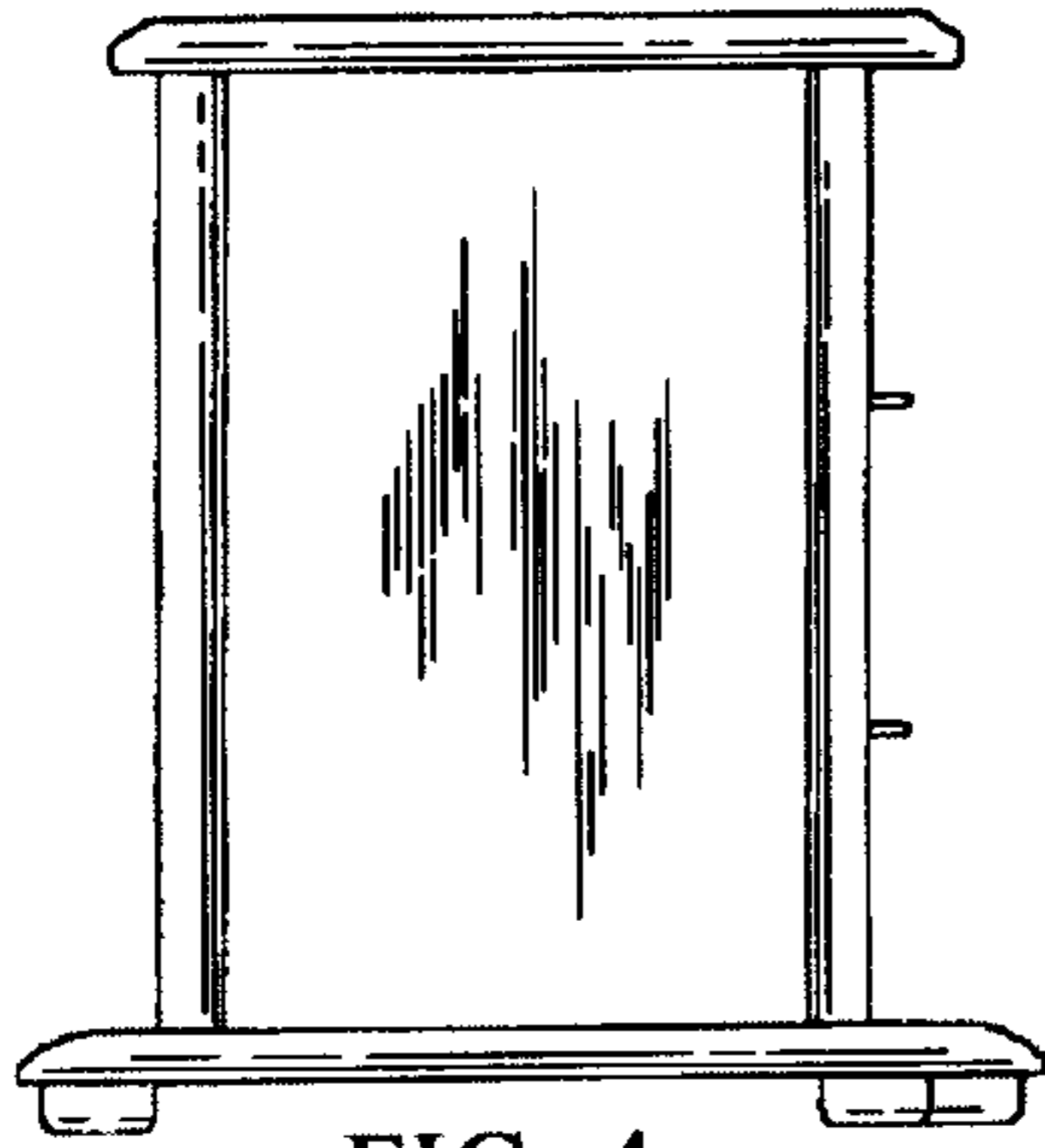


FIG. 4

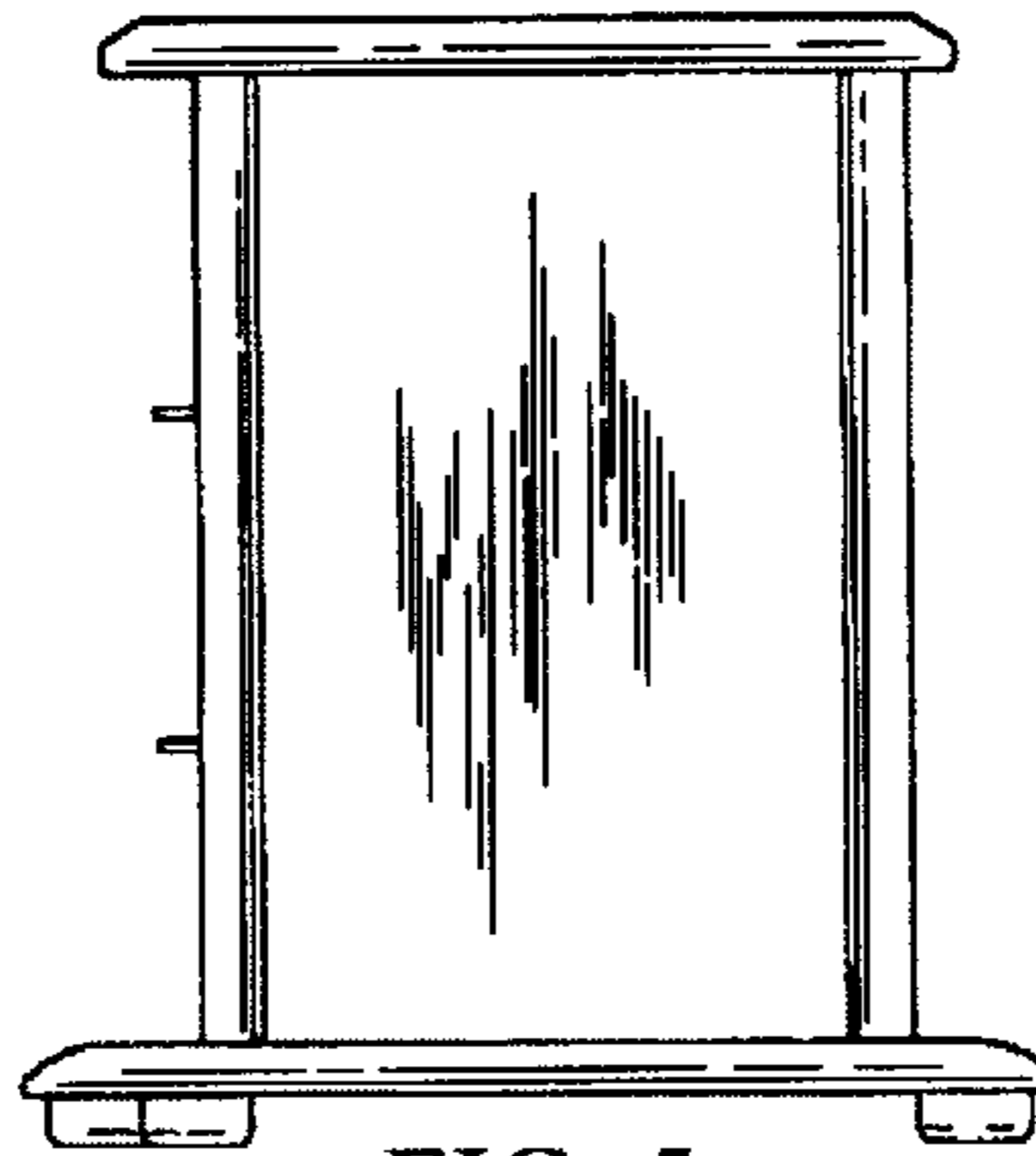


FIG. 5

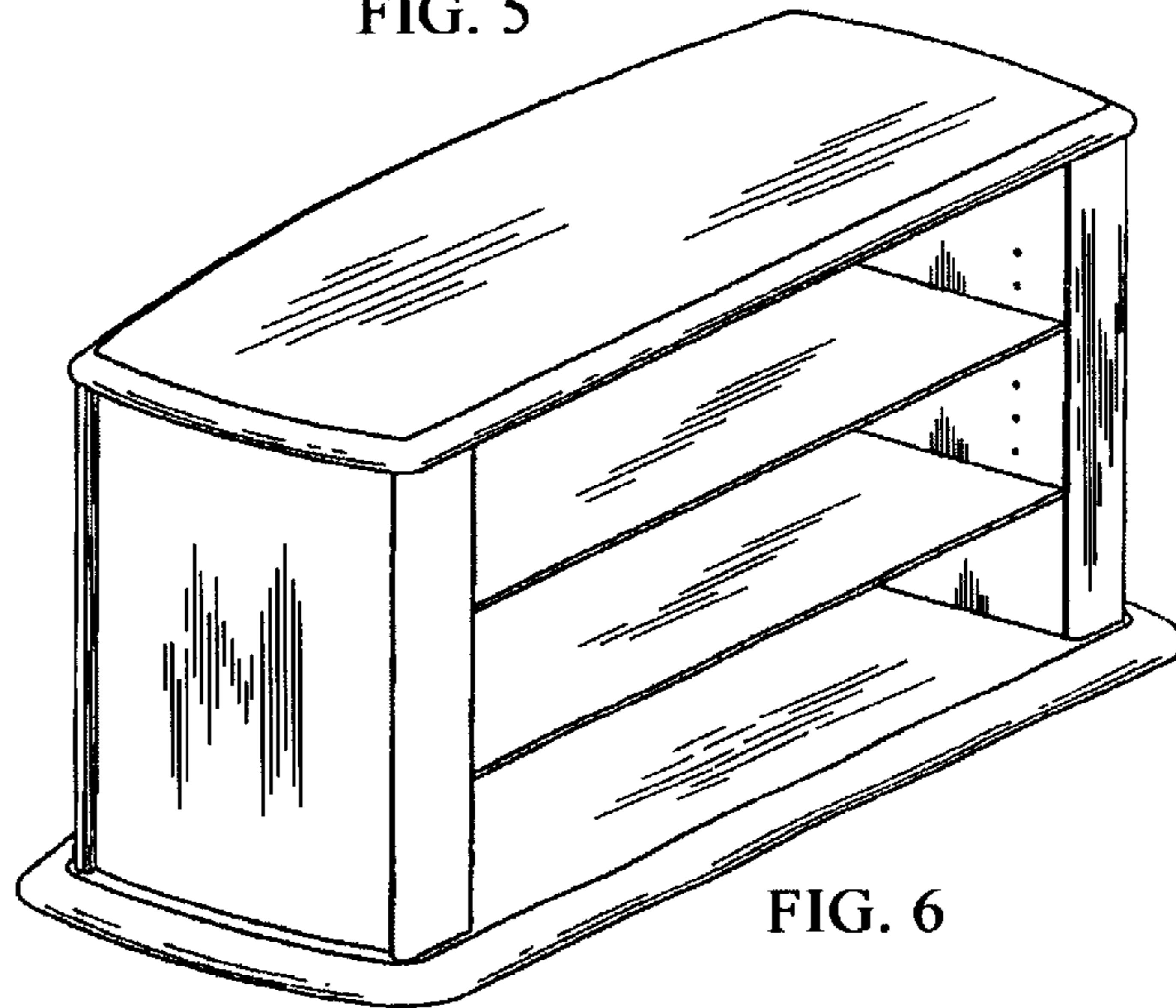


FIG. 6

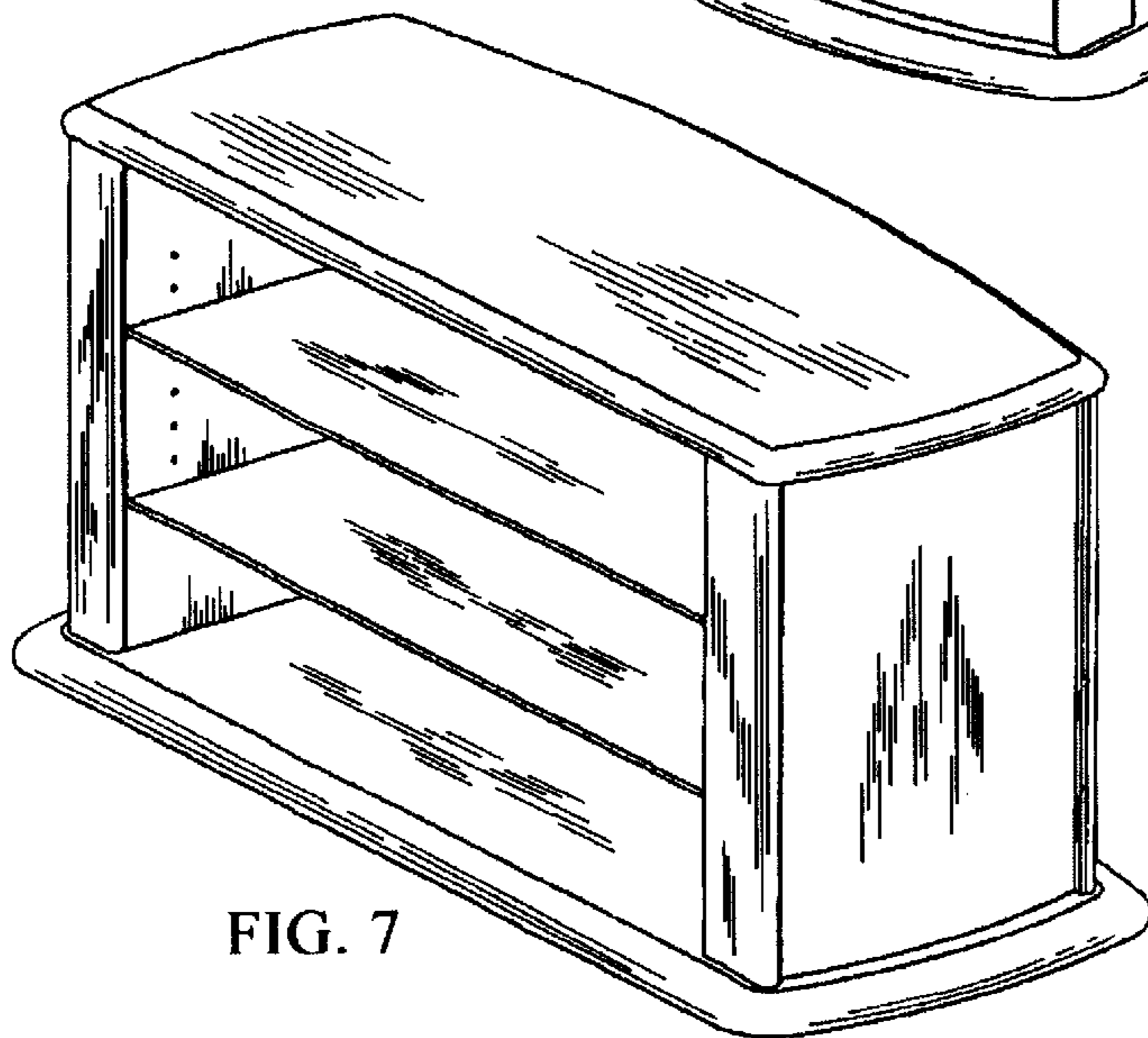


FIG. 7

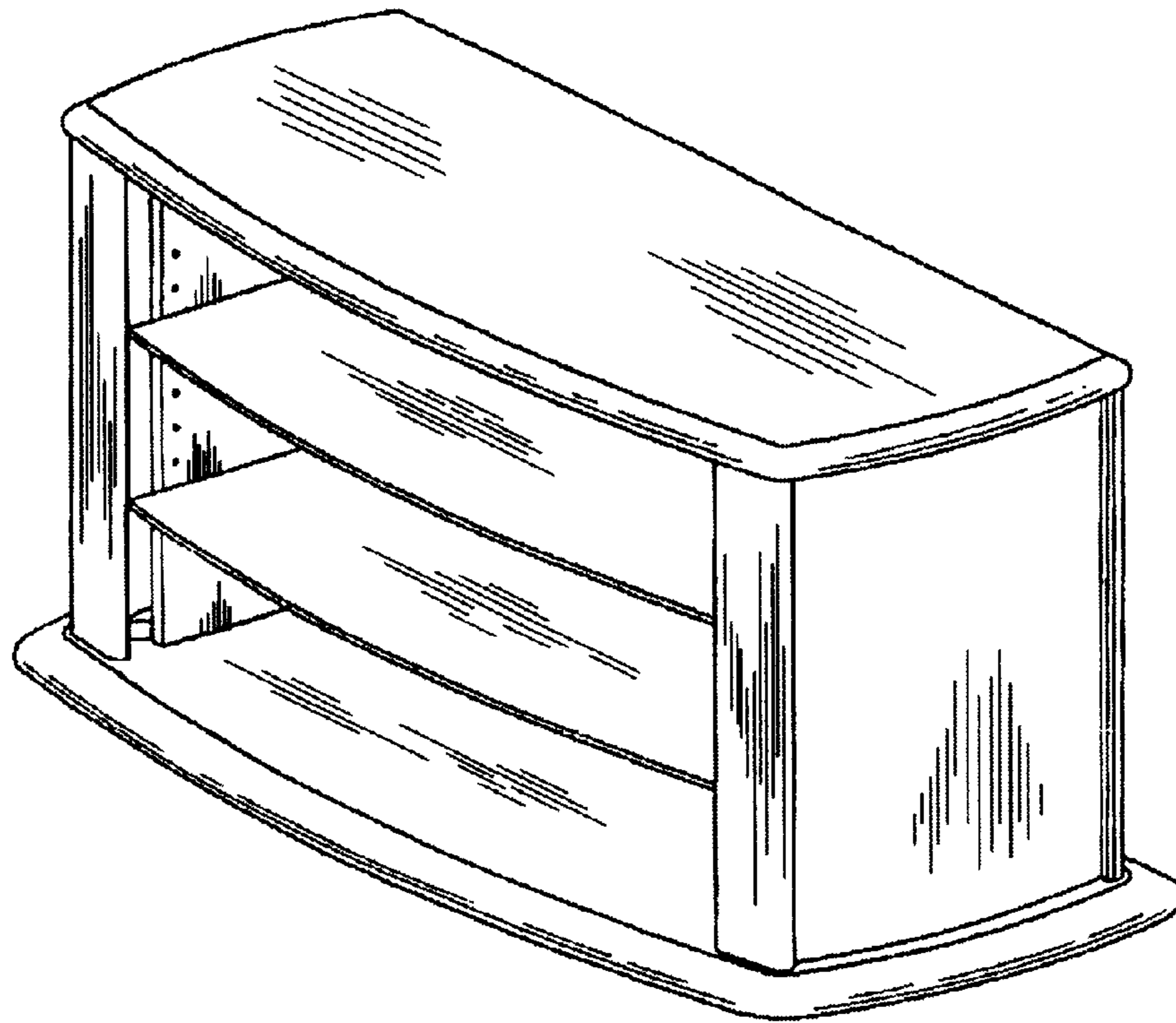


FIG. 8

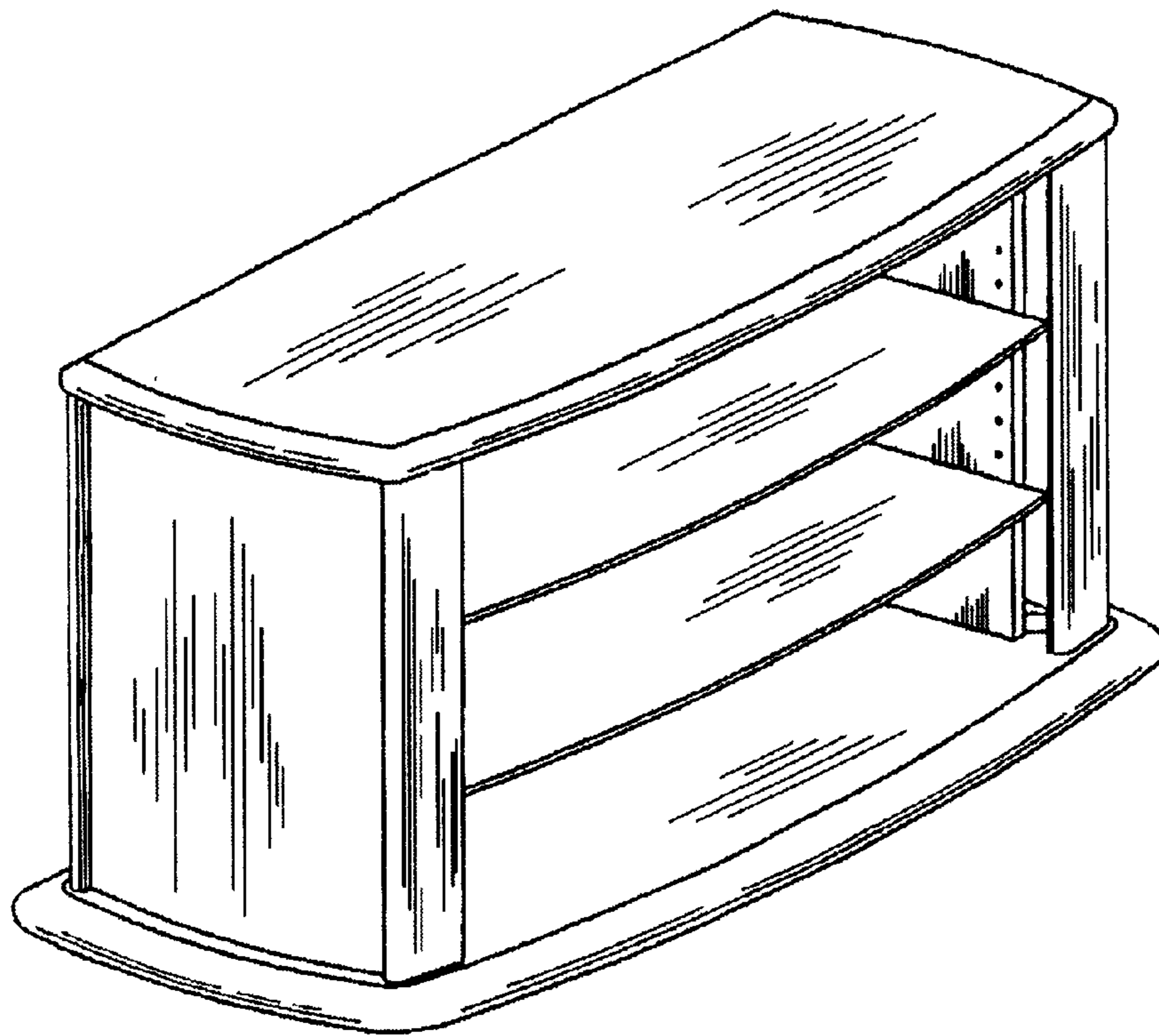


FIG. 9