



US00D526509S

(12) **United States Design Patent**  
**Glamos**

(10) **Patent No.:** **US D526,509 S**

(45) **Date of Patent:** **\*\* Aug. 15, 2006**

(54) **DIAMOND CAGE PLANT SUPPORT**

(75) Inventor: **Paul J. Glamos**, White Bear Lake, MN  
(US)

(73) Assignee: **Donner Industries, Inc.**, Hugo, MN  
(US)

(\*\*) Term: **14 Years**

(21) Appl. No.: **29/251,198**

(22) Filed: **Jan. 5, 2006**

(51) **LOC (8) Cl.** ..... **11-02**

(52) **U.S. Cl.** ..... **D6/403**

(58) **Field of Classification Search** ..... D6/403-405,  
D6/411-416, 449-451, 455, 458, 460-462,  
D6/464-469, 474, 495, 497-499, 552, 556-558;  
D8/1; D11/130, 130.1, 143-151, 164; 47/32.7,  
47/39, 41.01, 41.1, 44-47, 67; 211/71.01,  
211/85.23, 85.31, 171, 196; 248/27.8, 121,  
248/153, 156, 175, 302-304

See application file for complete search history.

(56) **References Cited**

**U.S. PATENT DOCUMENTS**

587,581	A	8/1897	Horan	
1,485,852	A *	3/1924	Jarvis	248/153
1,790,259	A	1/1931	Bush	
D239,898	S *	5/1976	Kirshenbaum et al.	D6/499
D255,186	S *	6/1980	Hupalowsky	D6/458
4,632,259	A *	12/1986	Cameron	D6/465
4,894,951	A	1/1990	Risley	
5,048,231	A *	9/1991	Brown	47/45
D339,485	S *	9/1993	James	D6/461
5,323,559	A	6/1994	Allman	
D359,929	S *	7/1995	Thornhill	D11/143
D390,759	S	2/1998	Grady	
D396,390	S *	7/1998	Edmondson	D8/1
D411,722	S *	6/1999	Grimes	D8/1

D413,233	S *	8/1999	Allison	D8/1
D419,405	S *	1/2000	Wagoner	D8/1
6,453,606	B1 *	9/2002	Shulman et al.	47/47
D489,951	S	5/2004	Buss	
2005/0144839	A1 *	7/2005	Morgan et al.	47/45

\* cited by examiner

*Primary Examiner*—Caron Veynar

*Assistant Examiner*—Garth Rademaker

(74) *Attorney, Agent, or Firm*—Merchant & Gould P.C.

(57) **CLAIM**

The ornamental design for diamond cage plant support, as shown and described.

**DESCRIPTION**

FIG. 1 is a front perspective view of a diamond cage plant support according to the present invention;  
 FIG. 2 is a front plan view thereof;  
 FIG. 3 is a rear plan view thereof;  
 FIG. 4 is a right side view thereof, the left side view being a mirror image of the right side view;  
 FIG. 5 is a top view thereof;  
 FIG. 6 is a bottom view thereof;  
 FIG. 7 is a front perspective view of a second embodiment of a diamond cage plant support according to the present invention;  
 FIG. 8 is a front plan view of the plant support shown in FIG. 7;  
 FIG. 9 is a rear plan view of the plant support shown in FIG. 7;  
 FIG. 10 is a right side view of the plant support shown in FIG. 7, the left side view being a mirror image of the right side view;  
 FIG. 11 is a top view of the plant support shown in FIG. 7; and,  
 FIG. 12 is a bottom view of the plant support shown in FIG. 7.

**1 Claim, 10 Drawing Sheets**

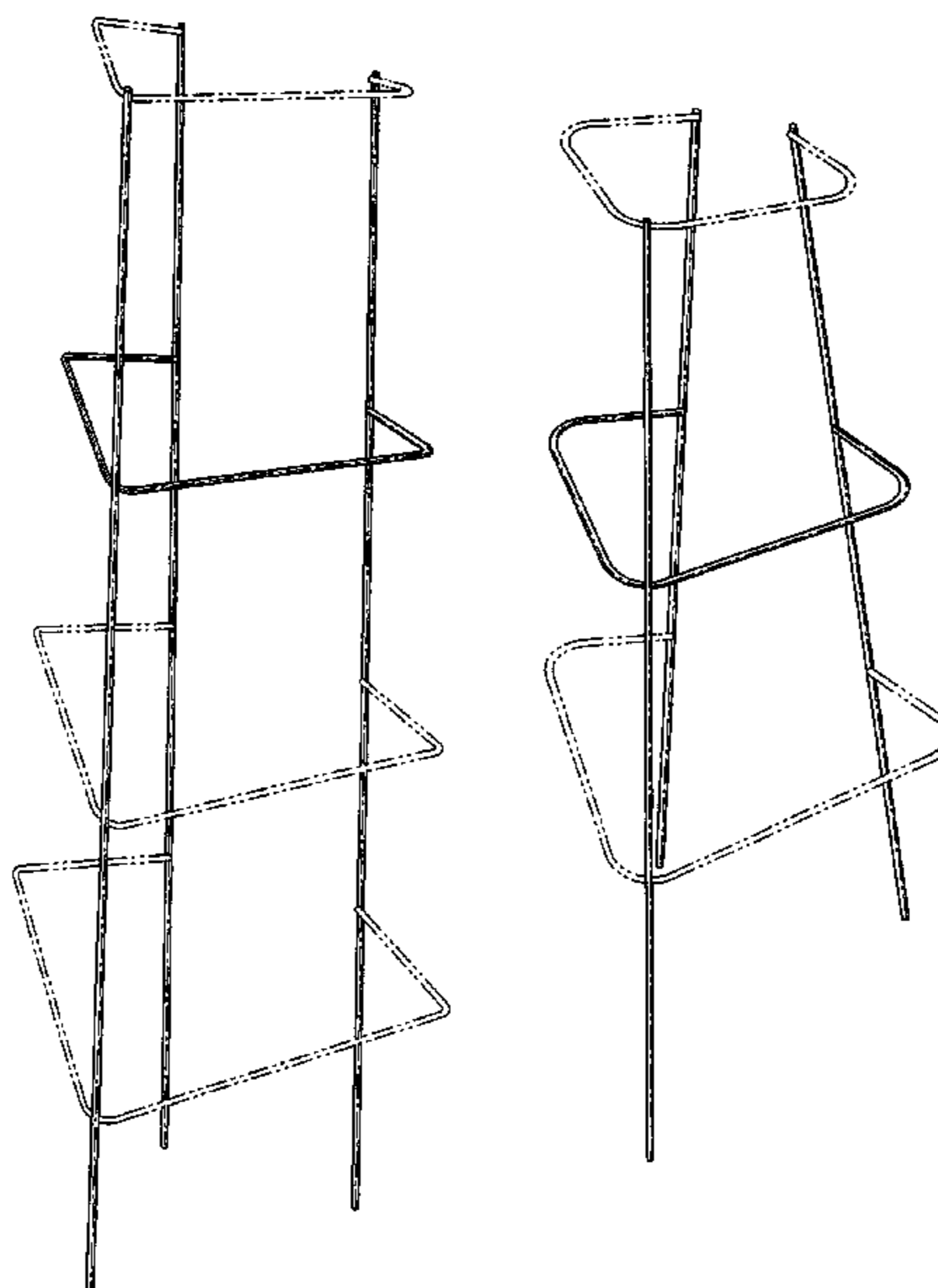


FIG. 1

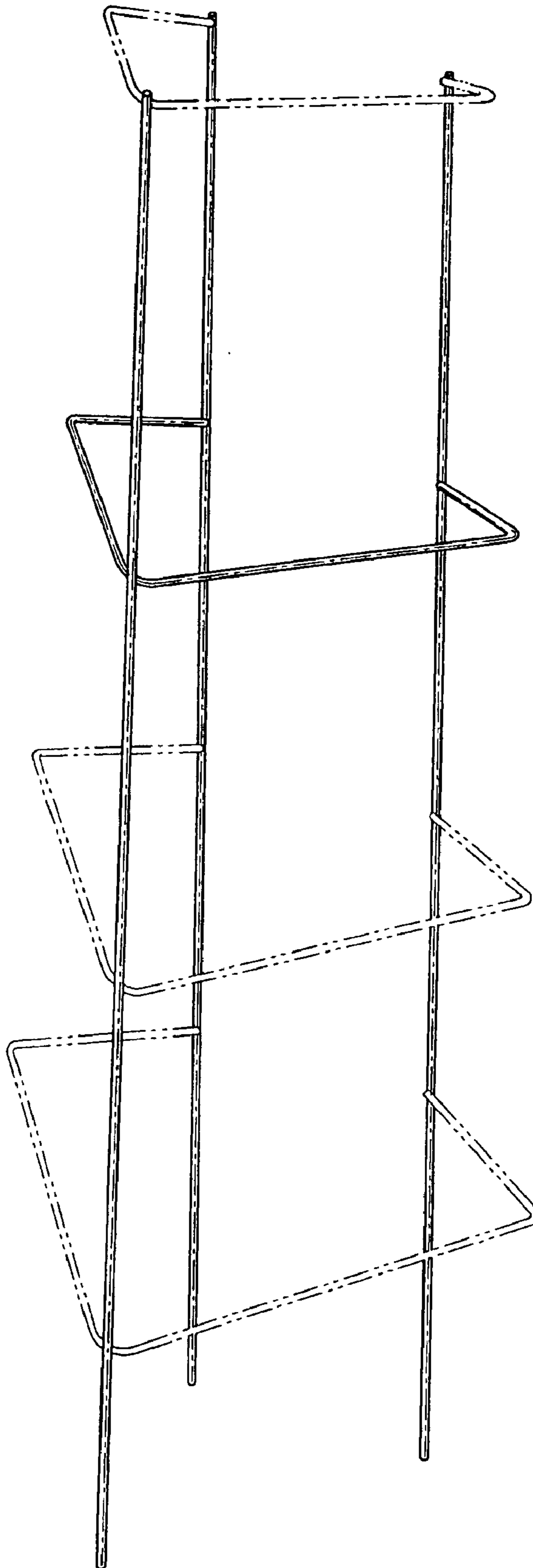


FIG. 2

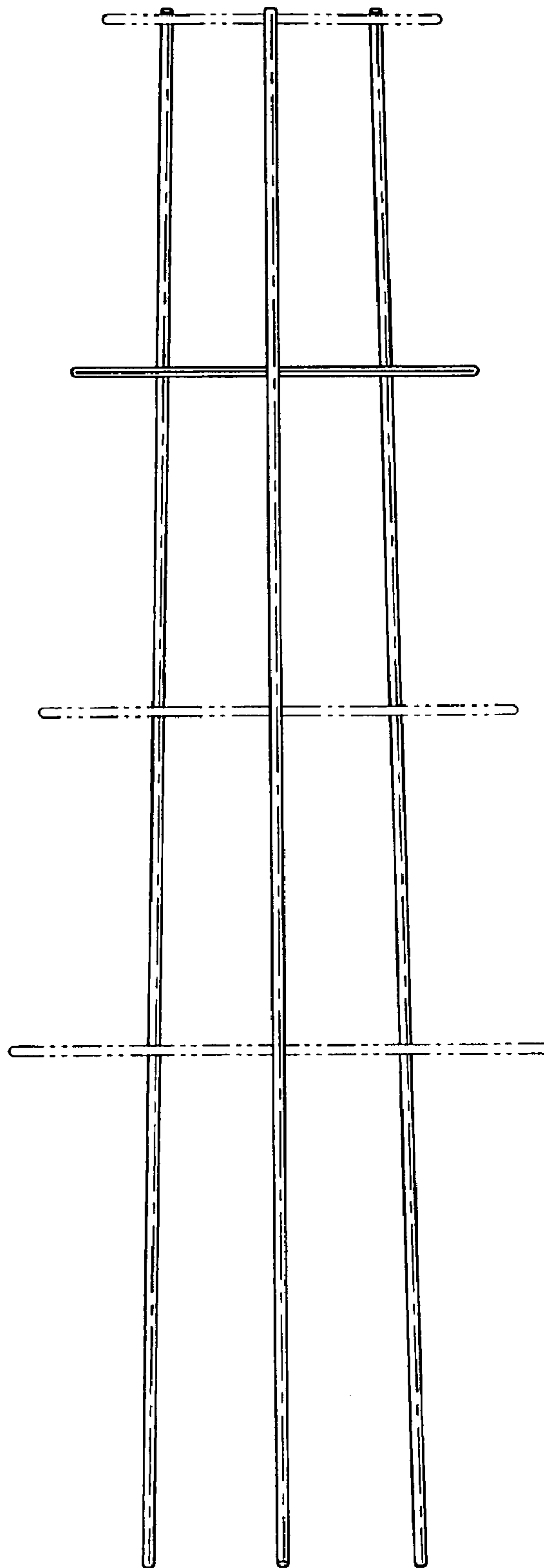


FIG. 3

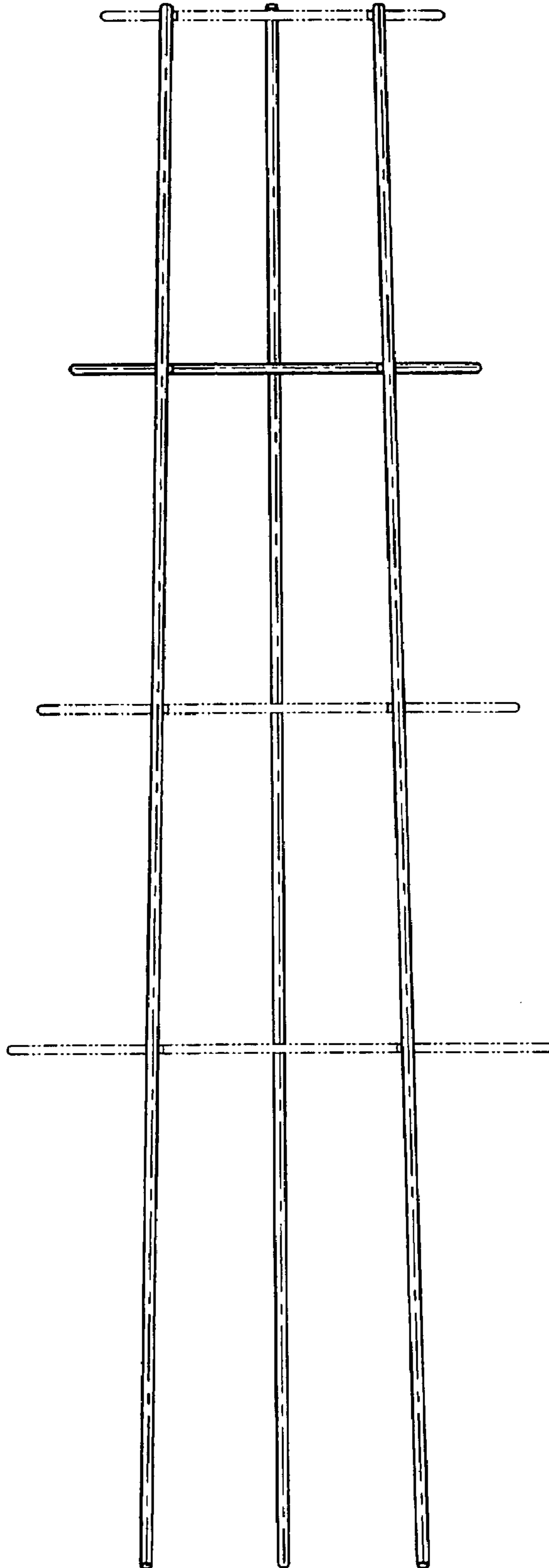


FIG. 4

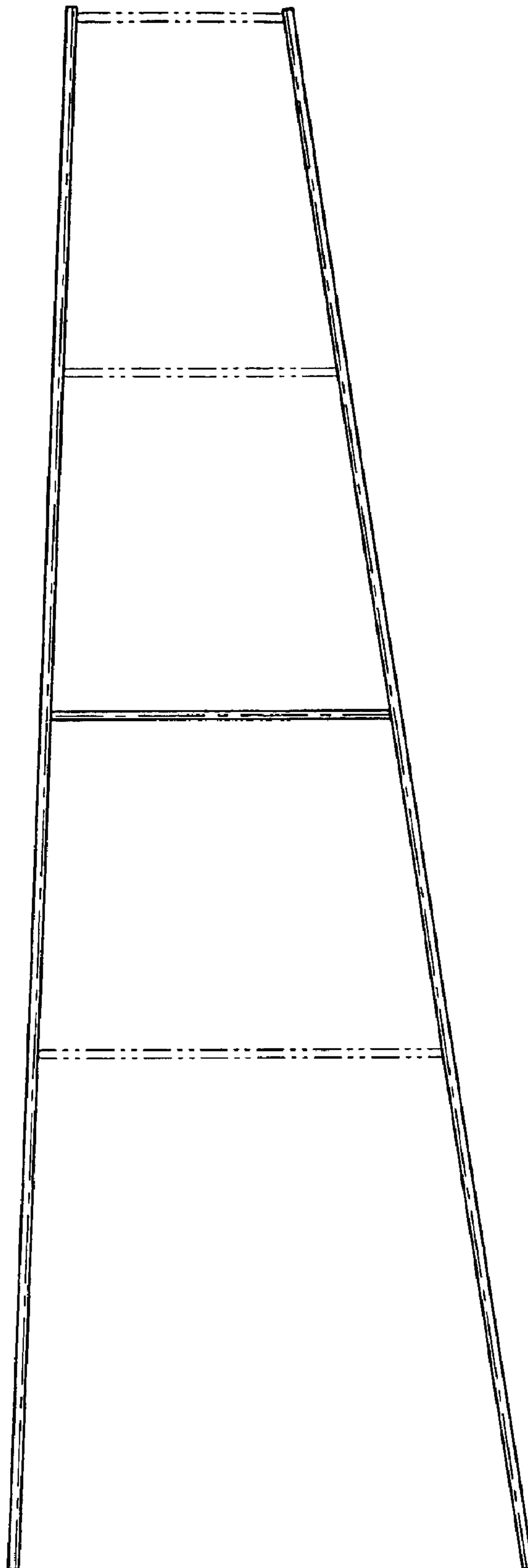


FIG. 5

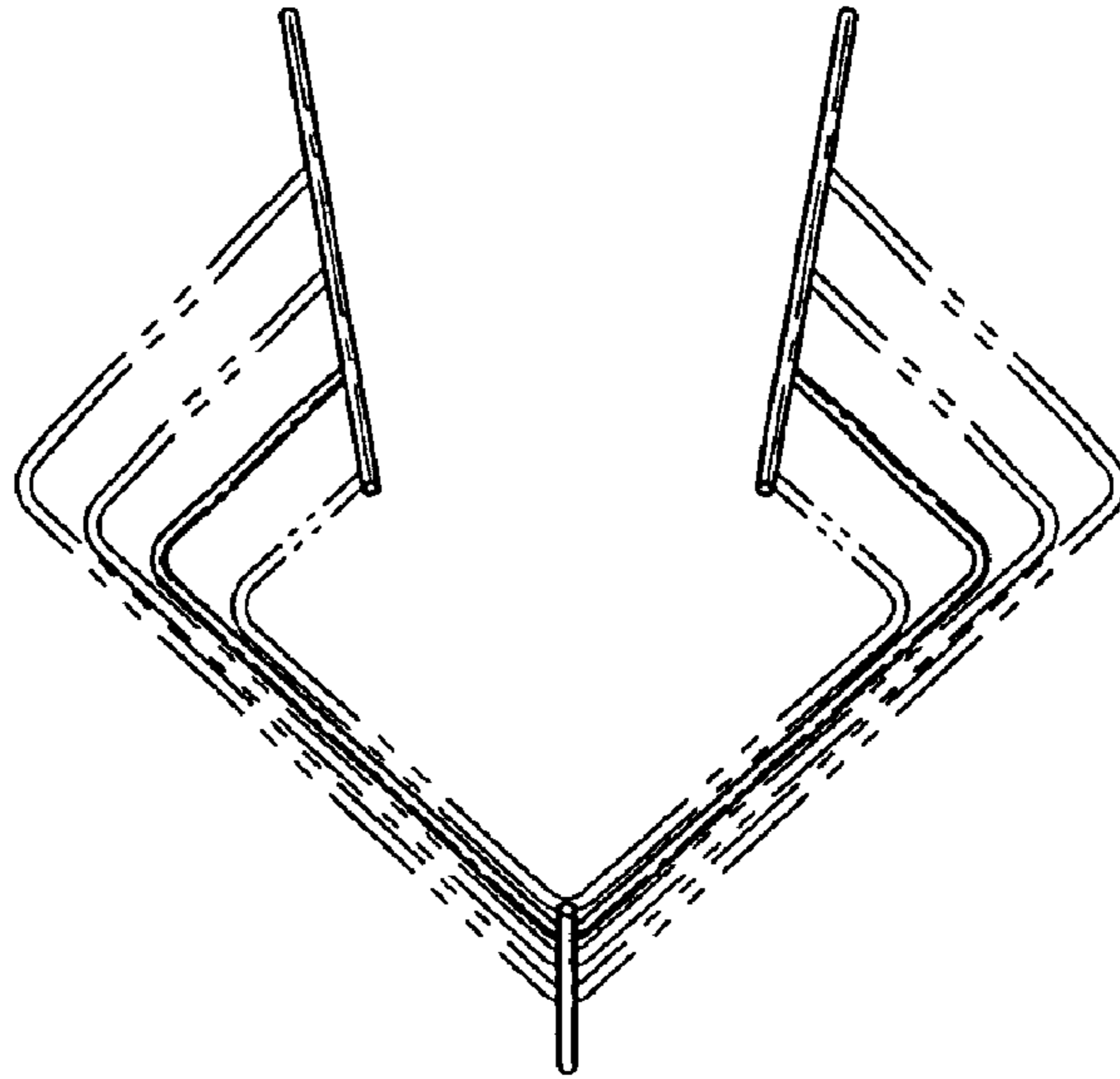


FIG. 6

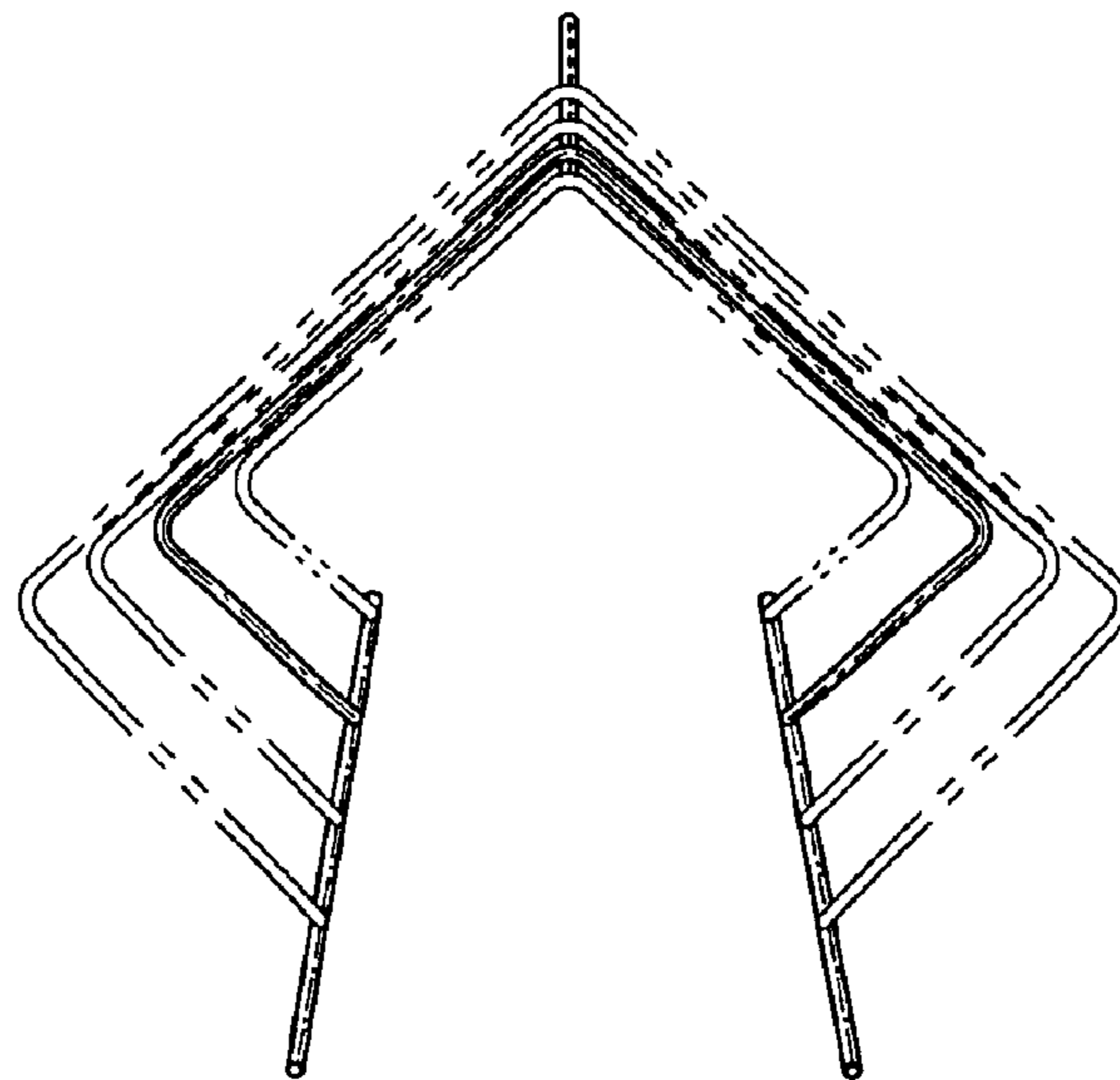


FIG. 7

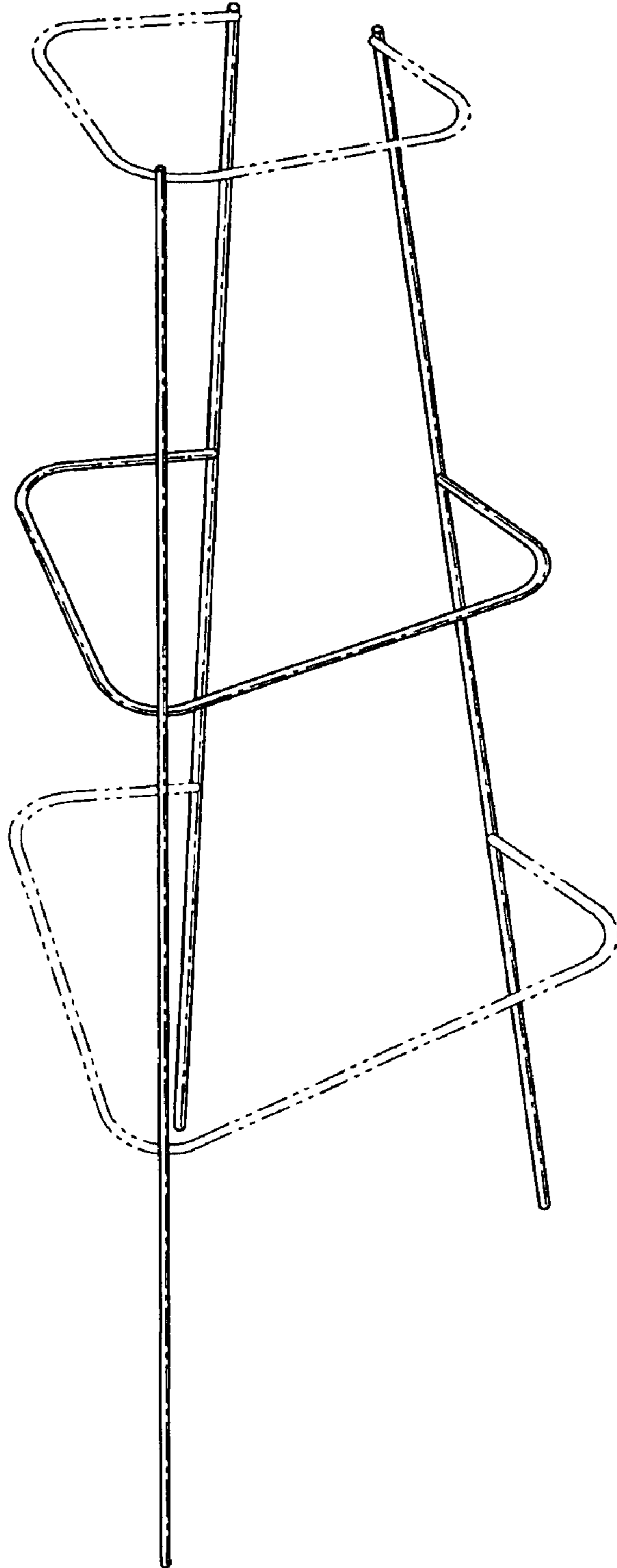


FIG. 8

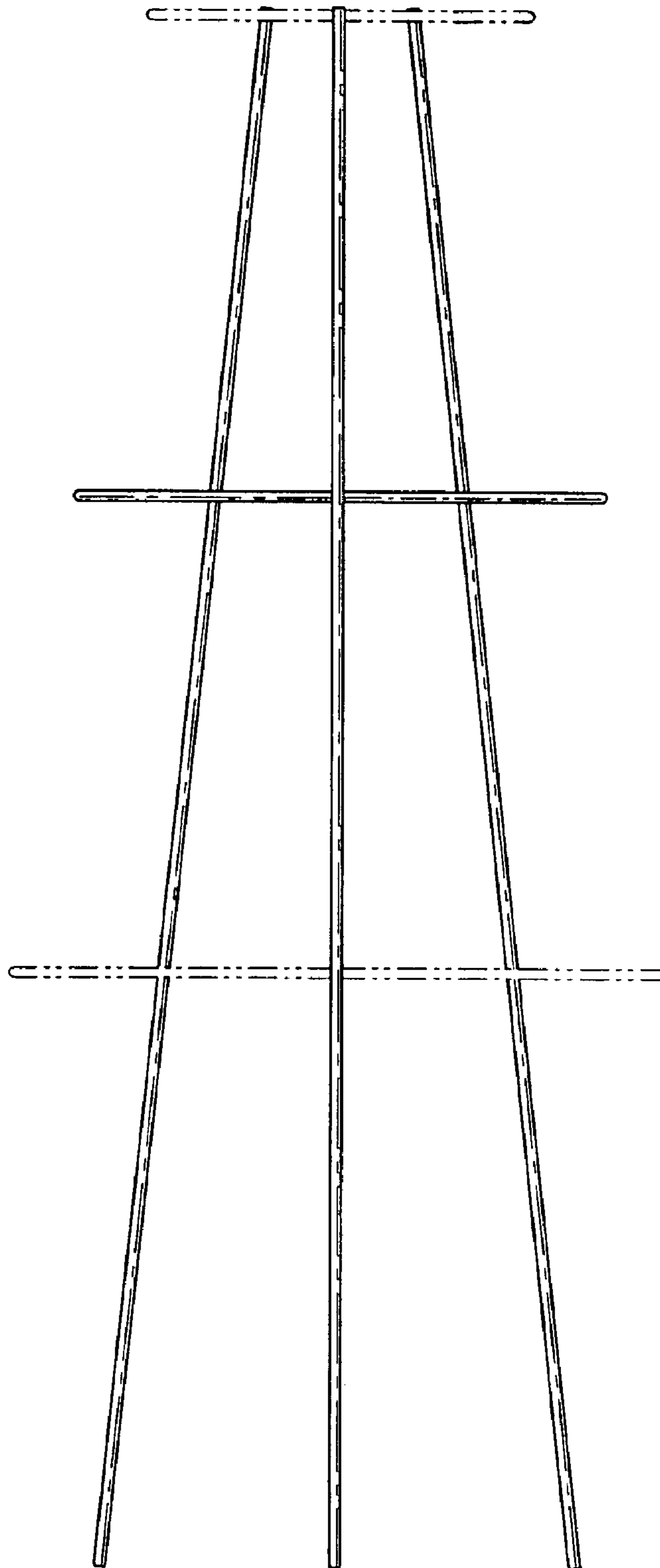




FIG. 9

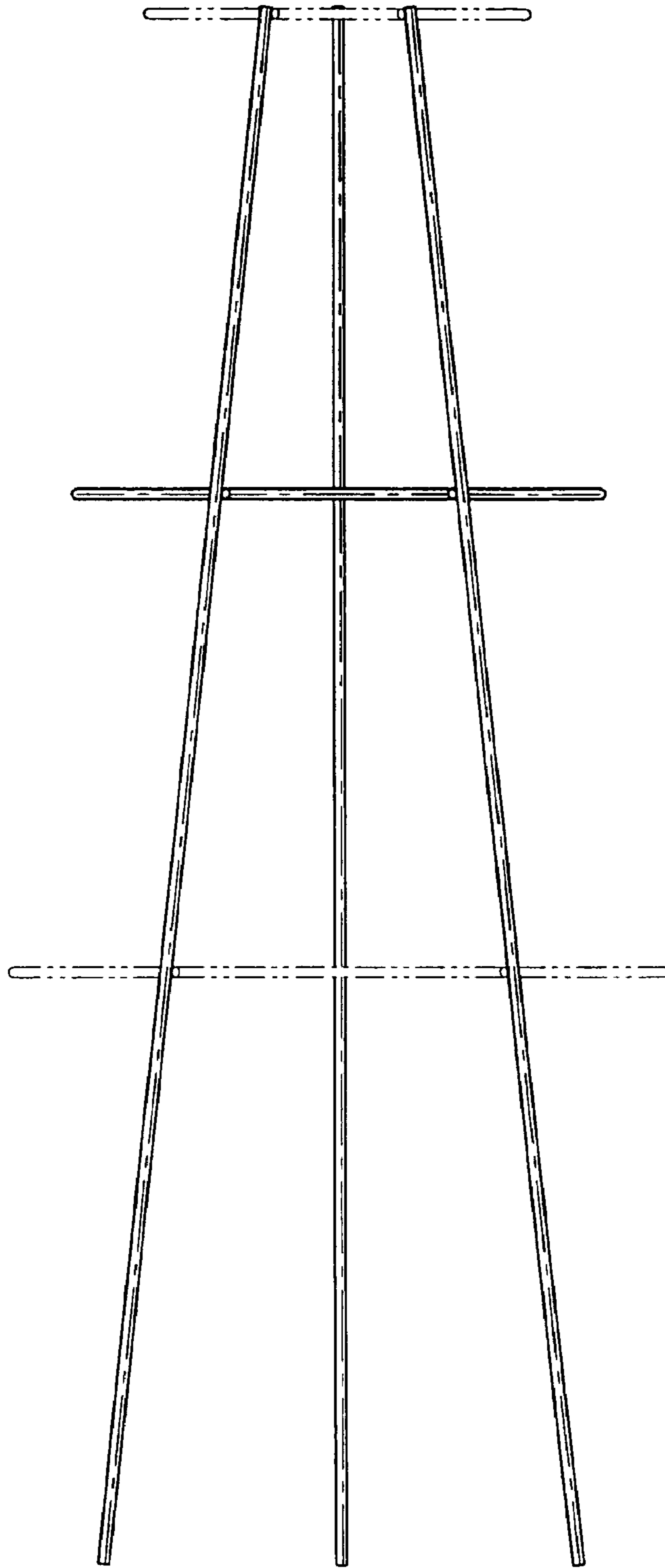


FIG. 10

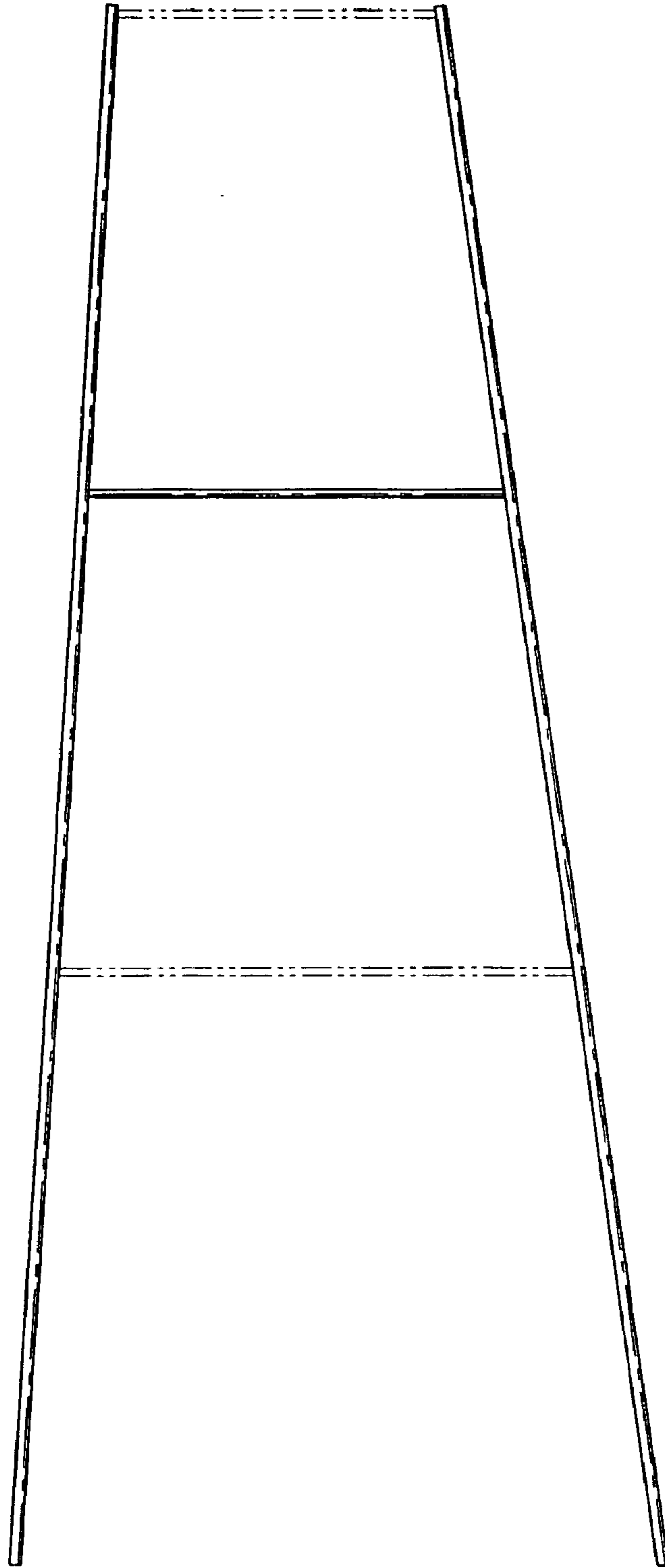


FIG. 11

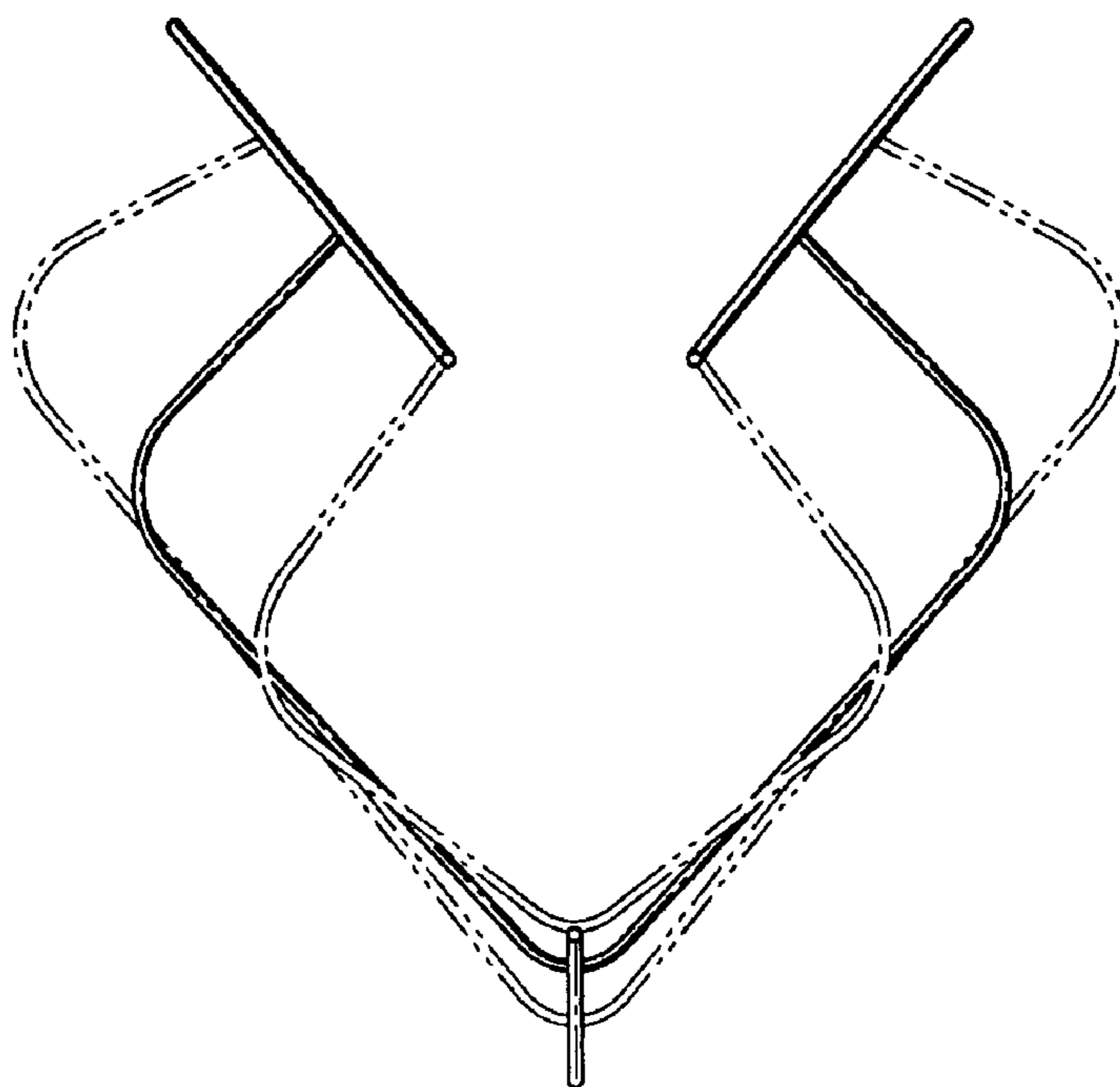


FIG. 12

