

US00D526508S

(12) **United States Design Patent**
Mohundro

(10) **Patent No.:** **US D526,508 S**

(45) **Date of Patent:** **** Aug. 15, 2006**

(54) **BED**

(76) **Inventor:** **James Glenn Mohundro**, 3F-No. 161,
Kung-I Road, Taichung (TW), 403

(**) **Term:** **14 Years**

(21) **Appl. No.:** **29/224,874**

(22) **Filed:** **Mar. 9, 2005**

(51) **LOC (8) Cl.** **06-01**

(52) **U.S. Cl.** **D6/393**

(58) **Field of Classification Search** D6/382,
D6/389, 392-395, 505-508; 5/53.1, 907,
5/279.1, 280, 281, 310

See application file for complete search history.

(56) **References Cited**

U.S. PATENT DOCUMENTS

D400,034 S	*	10/1998	Zaidman	D6/505
D499,272 S	*	12/2004	Cappaert	D6/393
D499,909 S	*	12/2004	Katz et al.	D6/505
D503,294 S	*	3/2005	McDaniel et al.	D6/393

OTHER PUBLICATIONS

Ethan Allen, cSep. 2002,p. 186 #30-5642 bed at top left.*
Pennsylvania House, c2003, Louis Phillippe bed.*

* cited by examiner

Primary Examiner—Janice E. Seeger

(57) **CLAIM**

The ornamental design for a bed, as shown and described.

DESCRIPTION

FIG. 1 is a perspective view of a bed, showing my new design;

FIG. 2 is a front elevational view thereof;

FIG. 3 is a rear elevational view thereof;

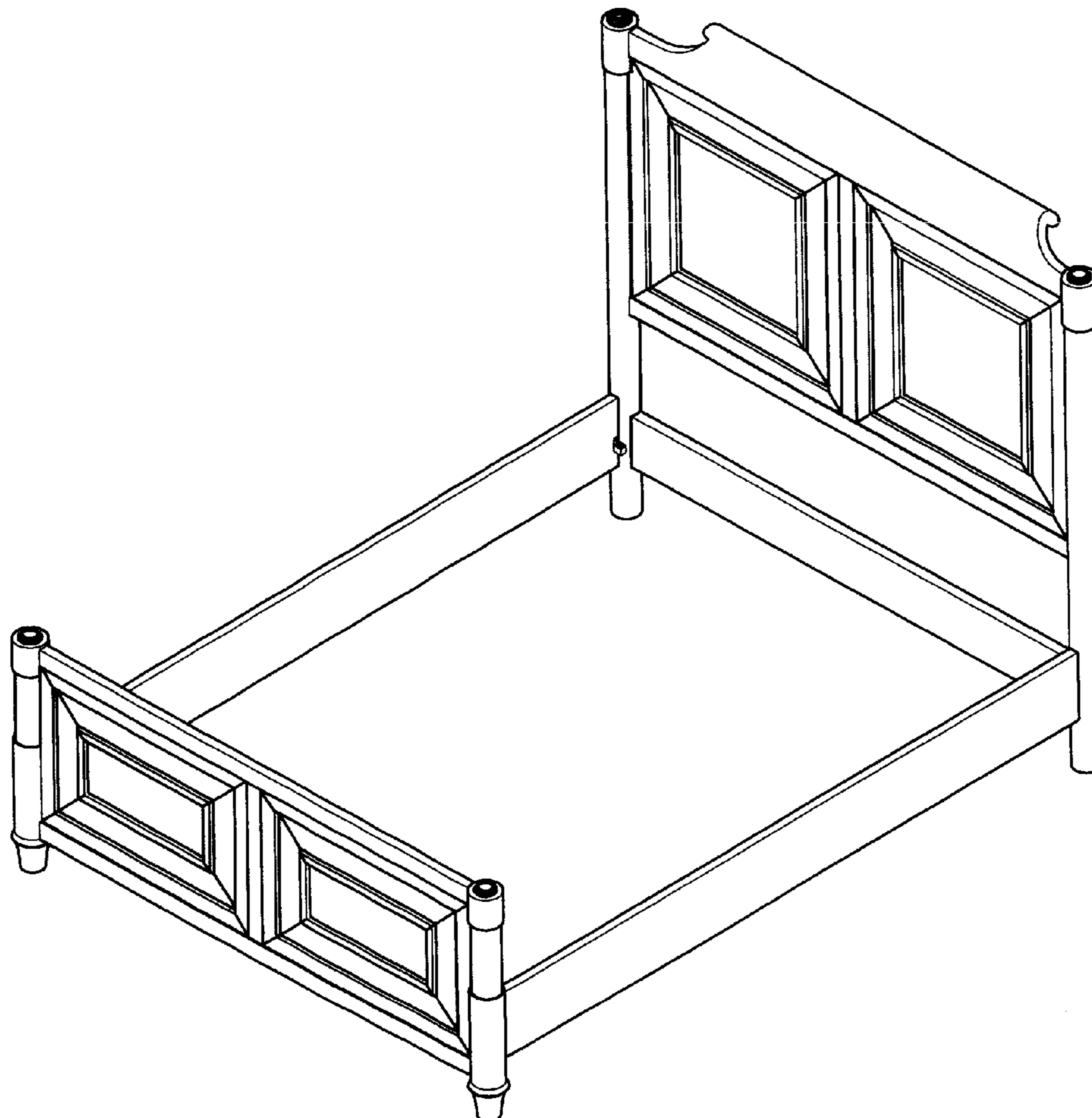
FIG. 4 is a left elevational view thereof;

FIG. 5 is a right elevational view thereof;

FIG. 6 is a top plan view thereof; and,

FIG. 7 is a bottom plan view thereof.

1 Claim, 7 Drawing Sheets



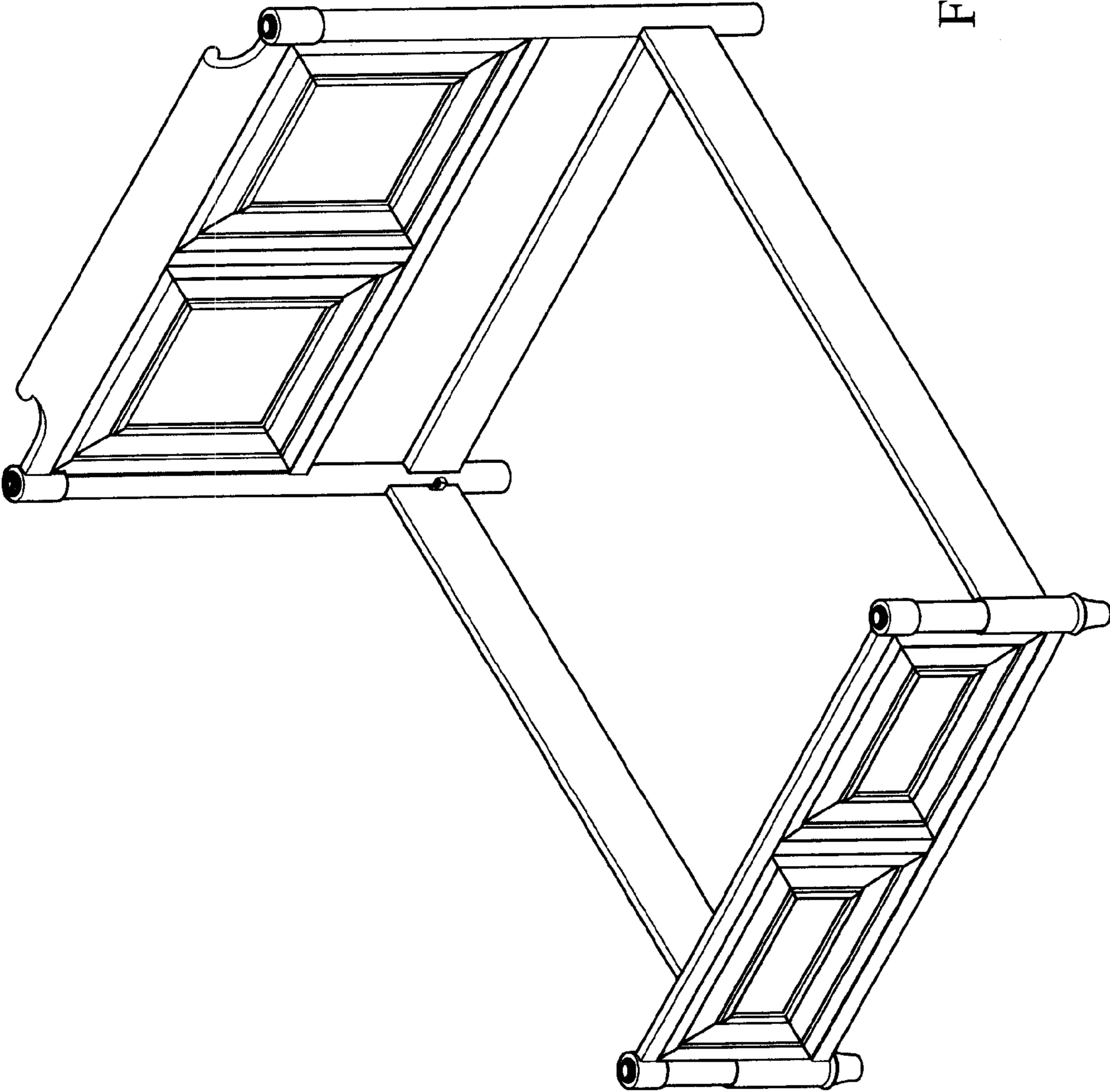


FIG. 1

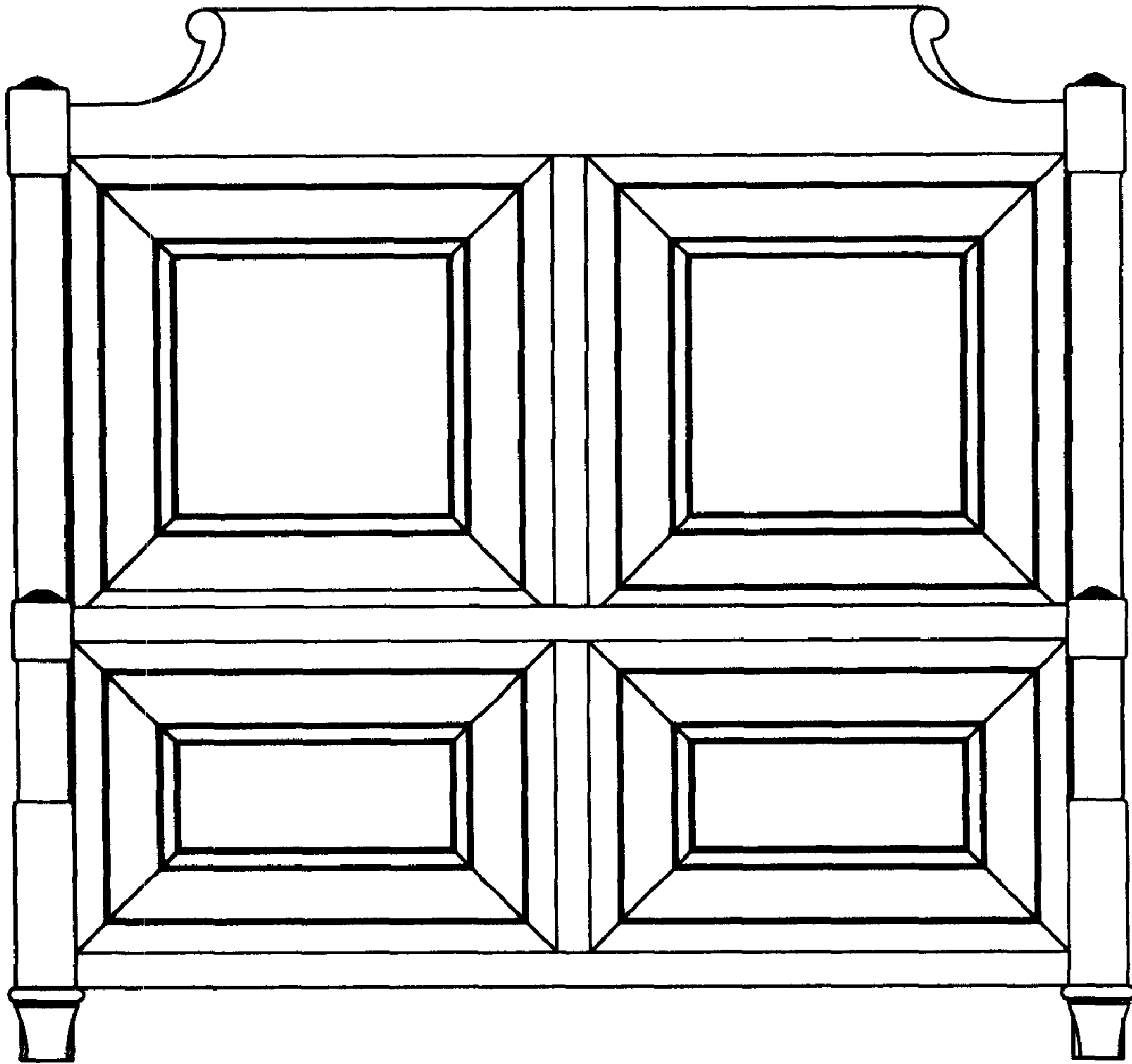


FIG.2

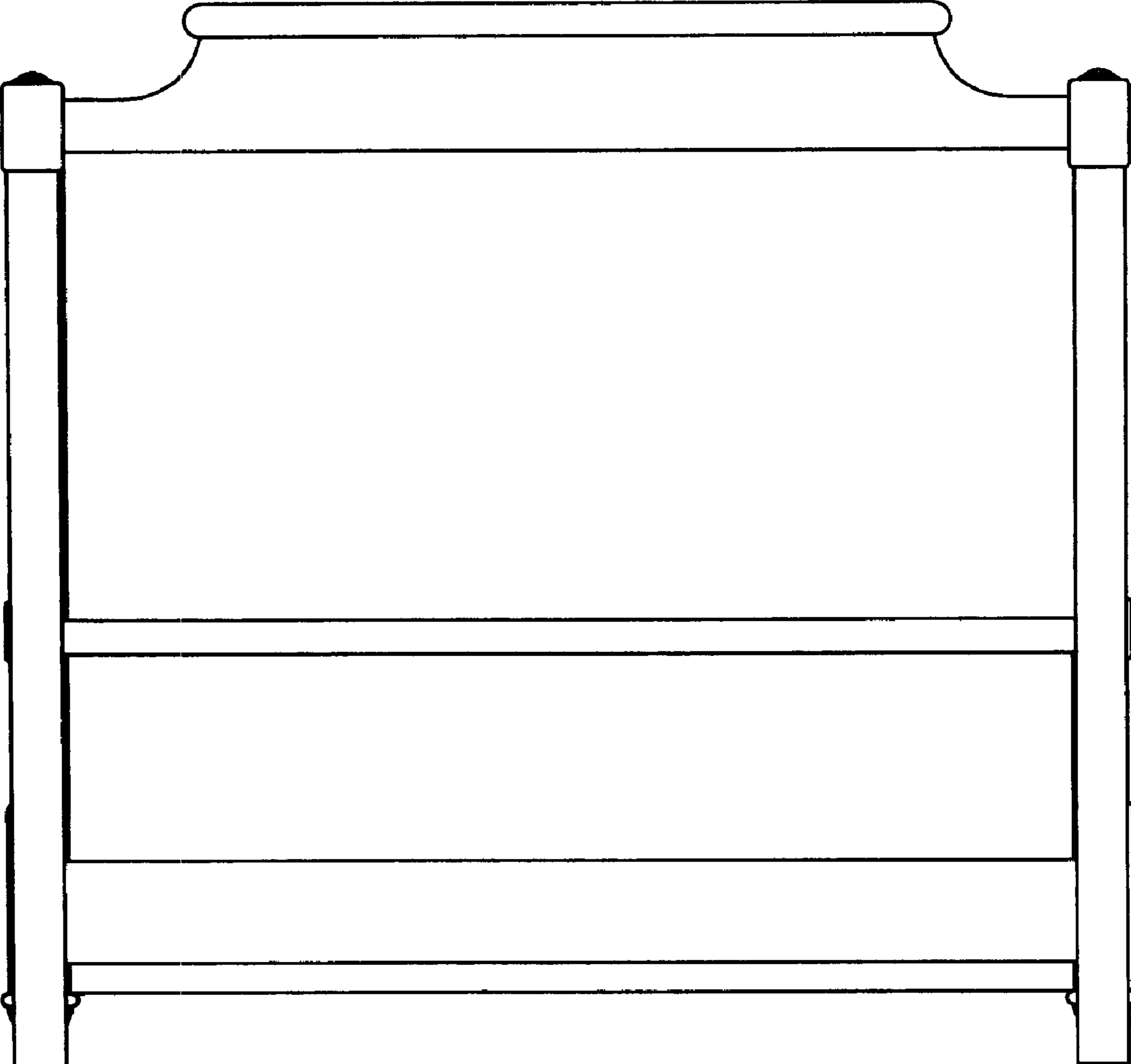


FIG.3

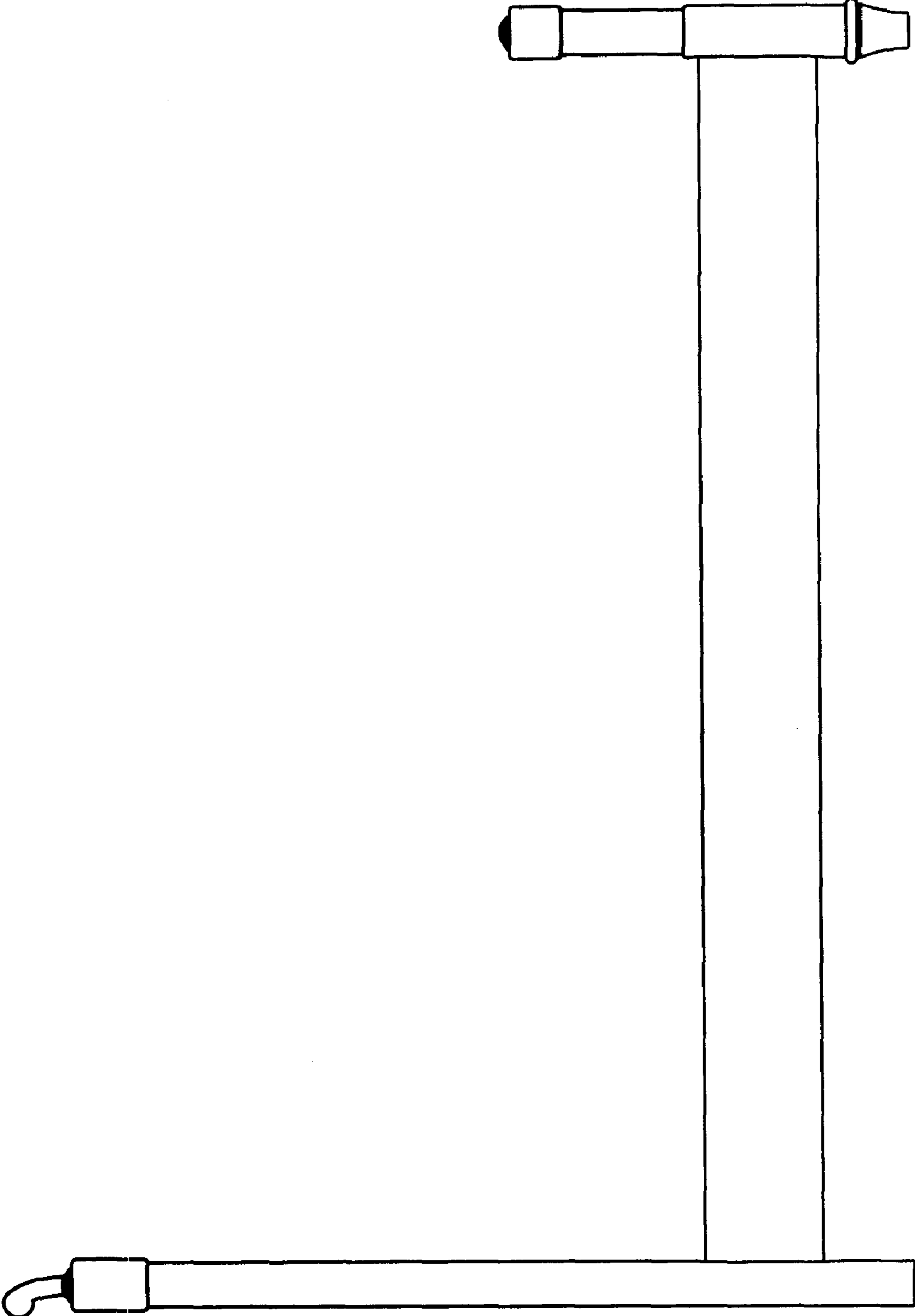


FIG.4

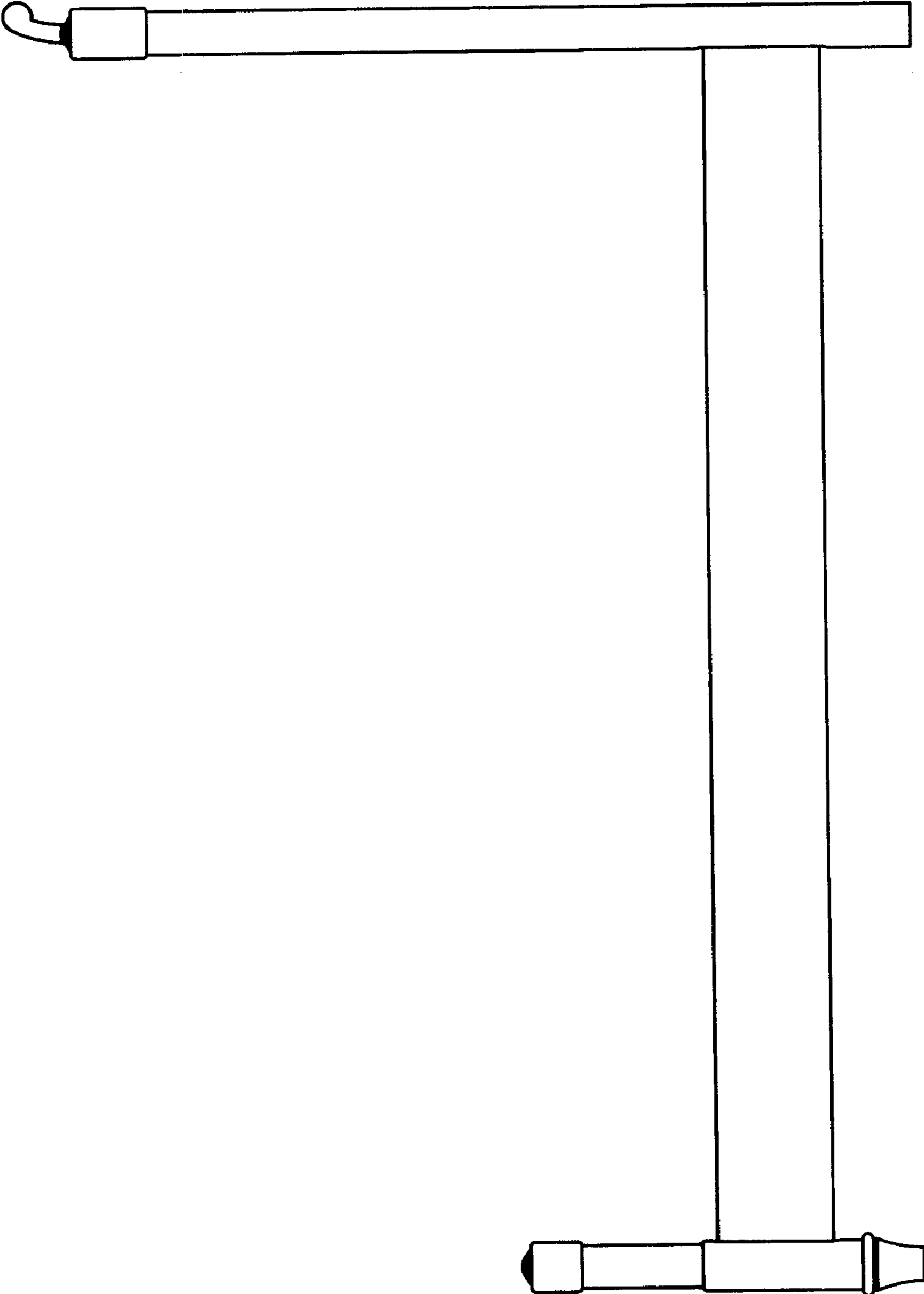


FIG.5

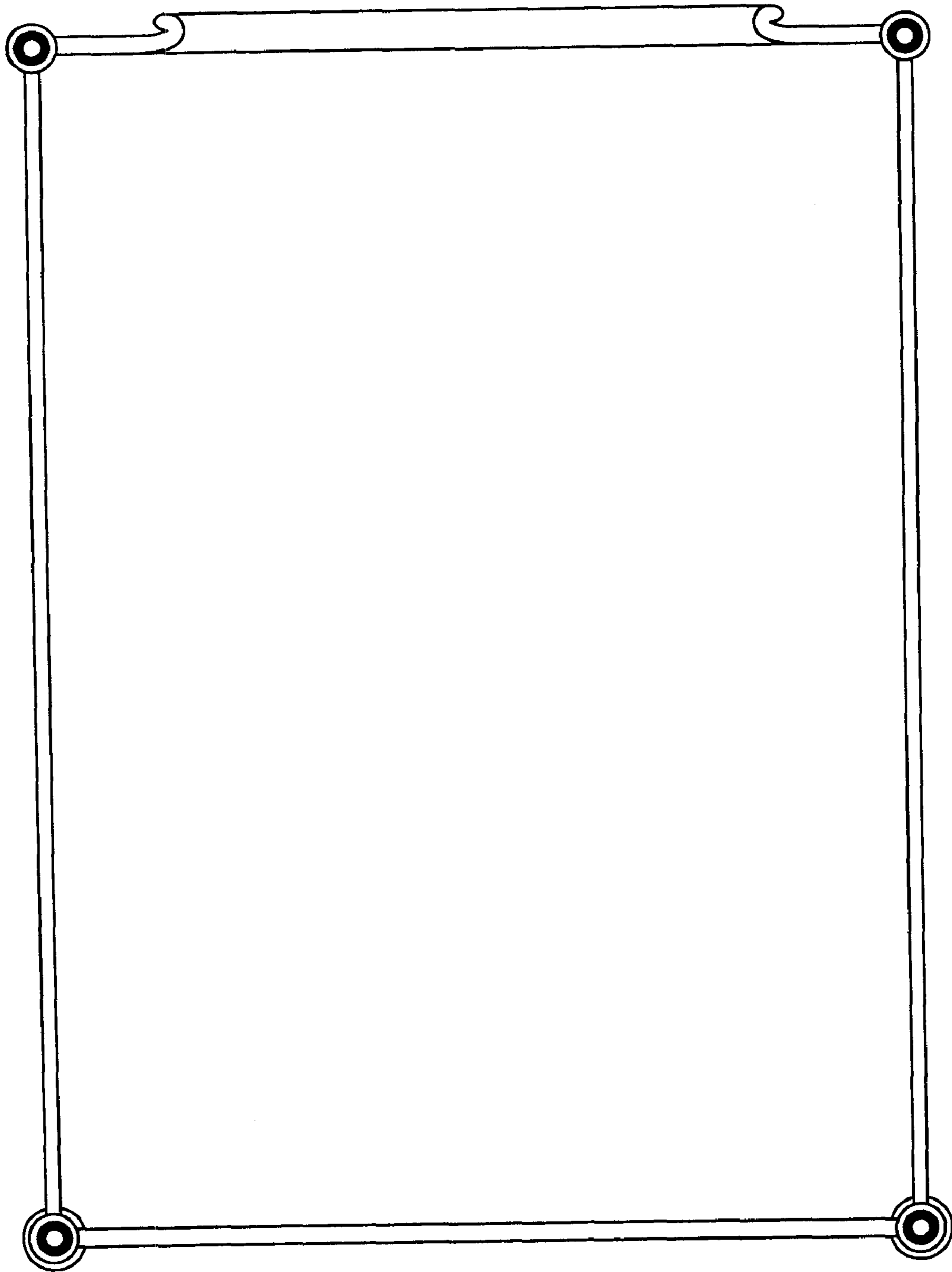


FIG.6

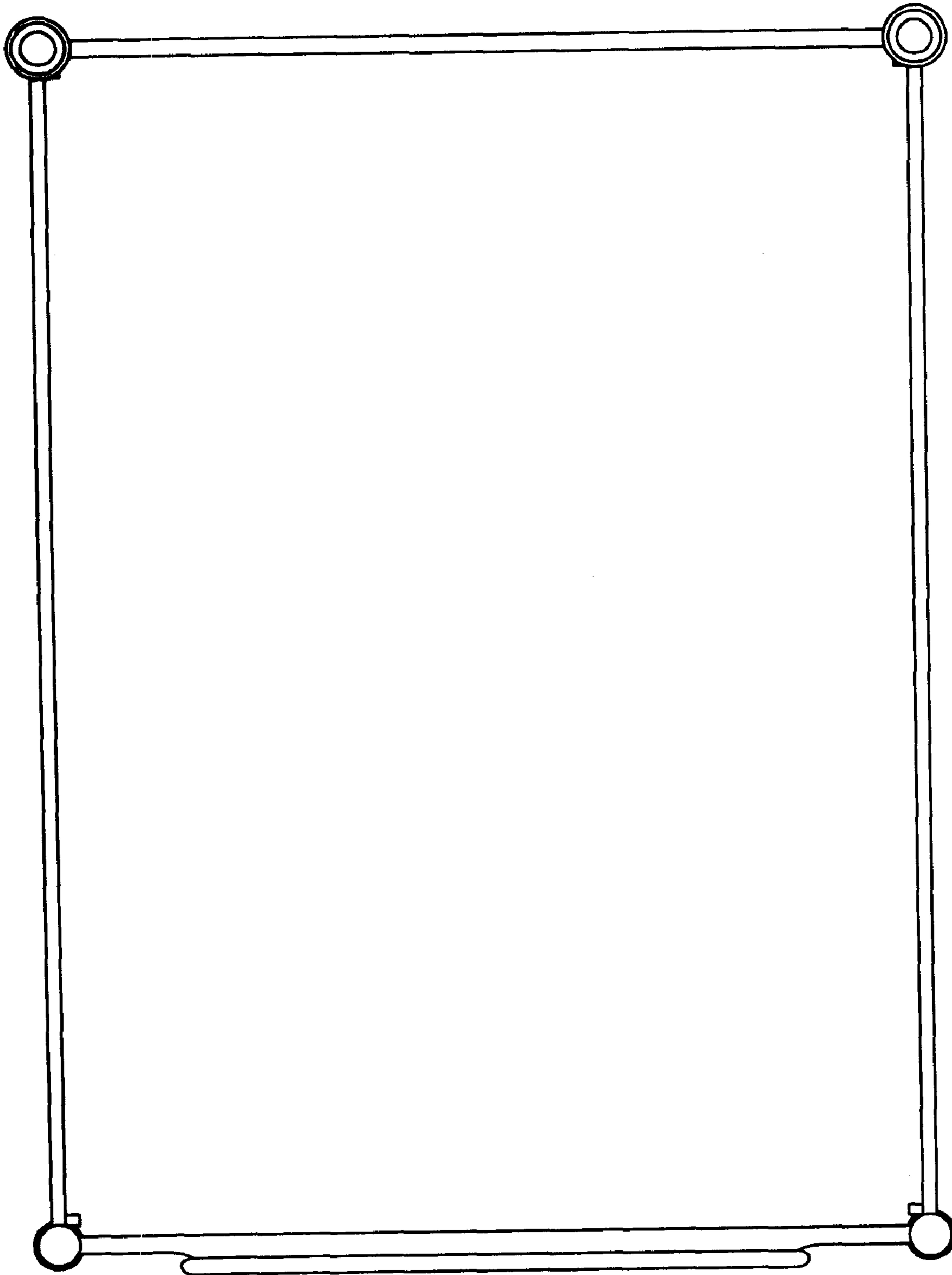


FIG.7