



US00D526496S

(12) **United States Design Patent**  
**Brown et al.**

(10) **Patent No.:** **US D526,496 S**

(45) **Date of Patent:** **\*\* Aug. 15, 2006**

(54) **VEHICLE SEATING ASSEMBLY**

D236,098 S \* 7/1975 Bedel ..... D12/16  
D246,812 S \* 1/1978 Canter et al. .... D6/375

(76) Inventors: **John J. Brown**, 46 Grove St.,  
Peterborough, NH (US) 03458; **Randal**  
**Henexson, Jr.**, 512 Starlight Dr., Waco,  
TX (US) 76705

\* cited by examiner

*Primary Examiner*—Mimosa De  
(74) *Attorney, Agent, or Firm*—David Henry

(\*\*) Term: **14 Years**

(57) **CLAIM**

(21) Appl. No.: **29/200,993**

The ornamental design for a vehicle seating assembly, as shown and described.

(22) Filed: **Mar. 8, 2004**

**DESCRIPTION**

(51) **LOC (8) Cl.** ..... **06-06**

(52) **U.S. Cl.** ..... **D6/356; D6/375**

(58) **Field of Classification Search** ..... D6/333,  
D6/334, 356, 374, 375, 376, 381, 500-502;  
297/DIG. 2, 452.12, 452.14, 232, 248; D12/16,  
D12/88

See application file for complete search history.

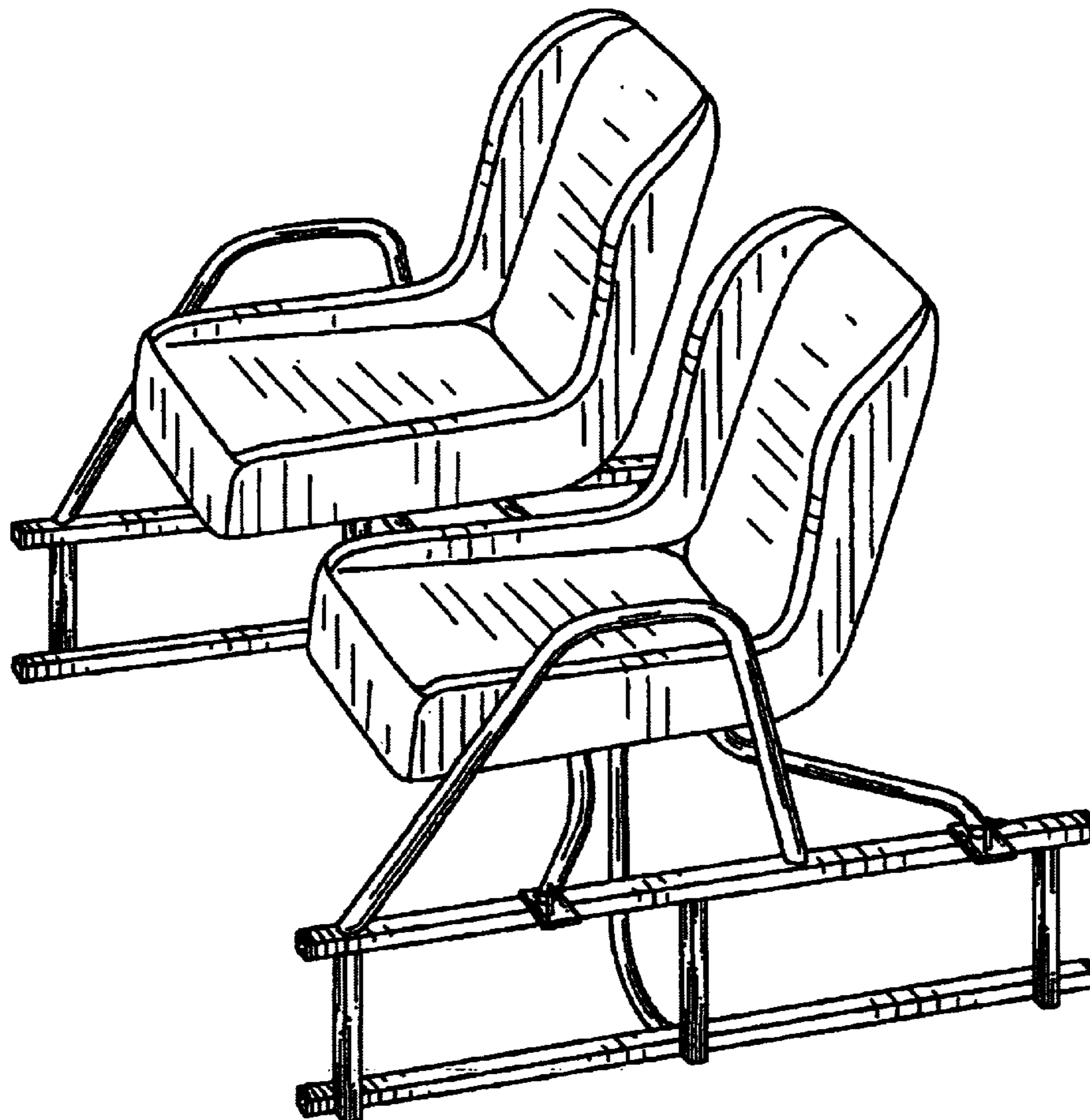
FIG. 1 is perspective view of a vehicle seating assembly showing our new design.  
FIG. 2 is a front elevational view thereof.  
FIG. 3 is a left side elevational view thereof.  
FIG. 4 is a rear elevational view thereof.  
FIG. 5 is a right side elevational view thereof.  
FIG. 6 is a top plan view thereof.  
FIG. 7 is a bottom plan view thereof; and,  
FIG. 8 is perspective view thereof, showing, in exploded perspective format, the context of use thereof.  
The broken line shown in FIG. 8 is for illustrative purposes only and forms no part of the claimed design.

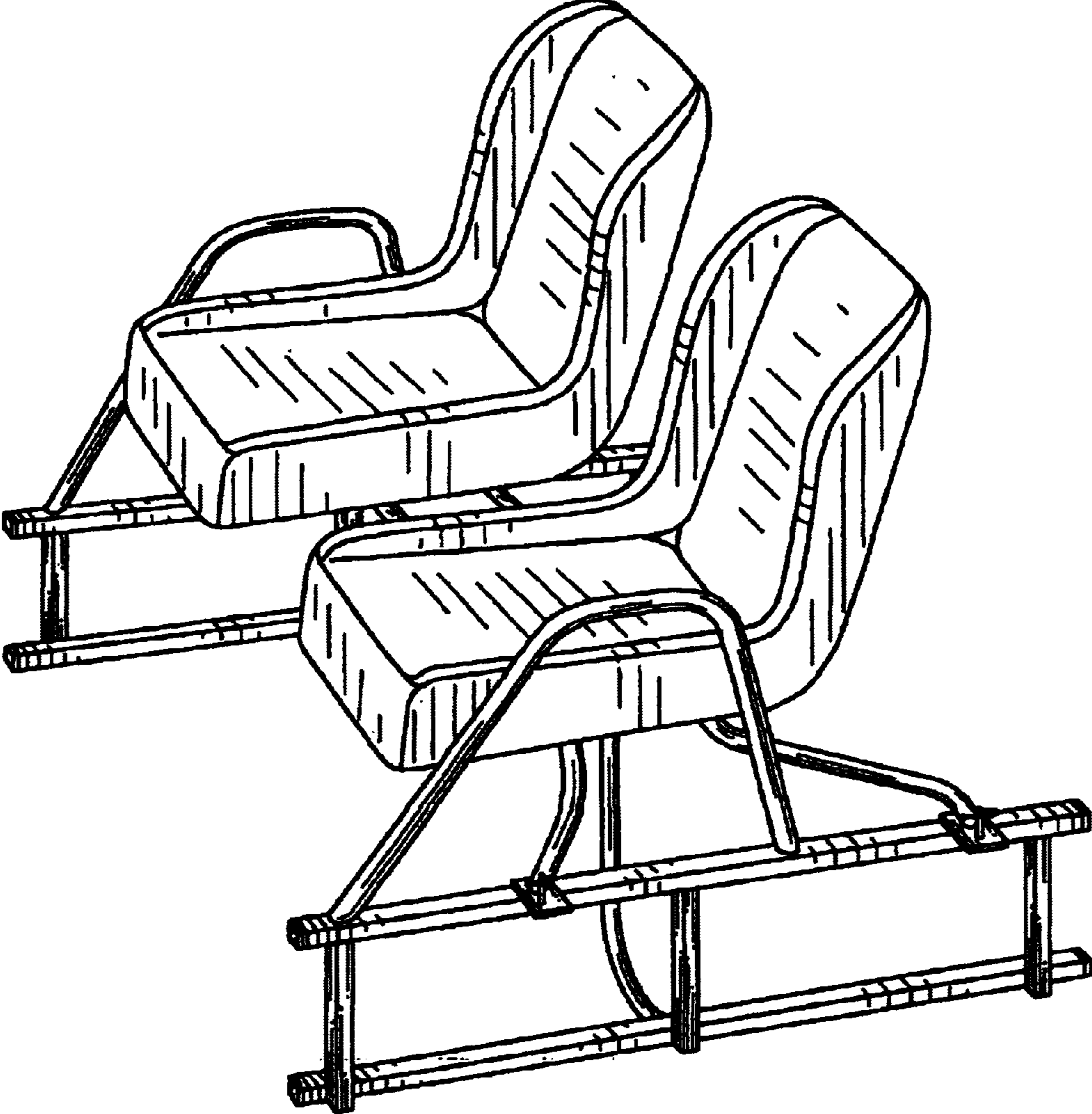
(56) **References Cited**

**U.S. PATENT DOCUMENTS**

D134,560 S \* 12/1942 Fletcher ..... D6/356  
2,393,499 A \* 1/1946 Flint ..... 297/452.12  
D215,426 S \* 9/1969 Reisner ..... D12/88

**1 Claim, 5 Drawing Sheets**





*Fig. 1*

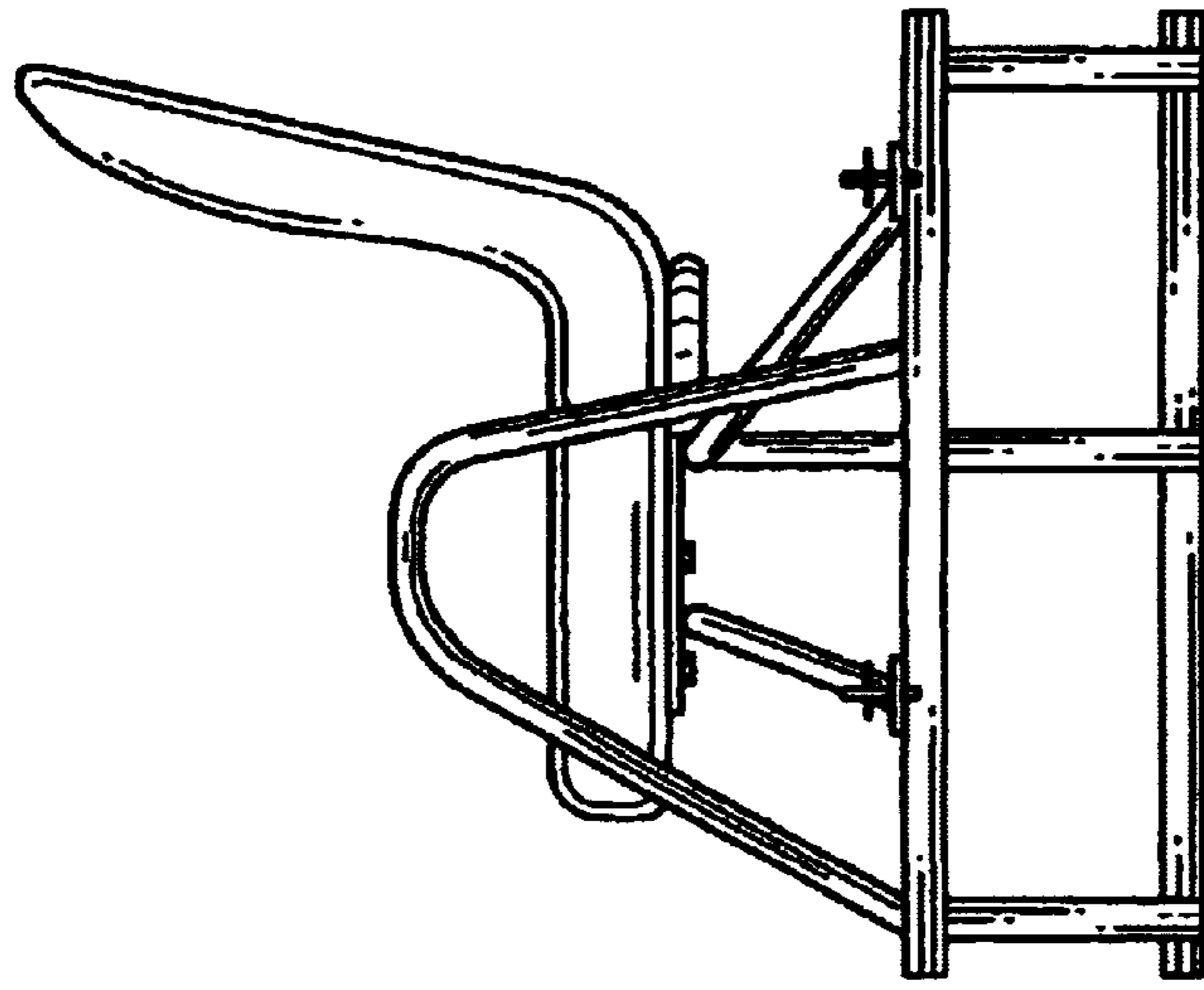


Fig. 3

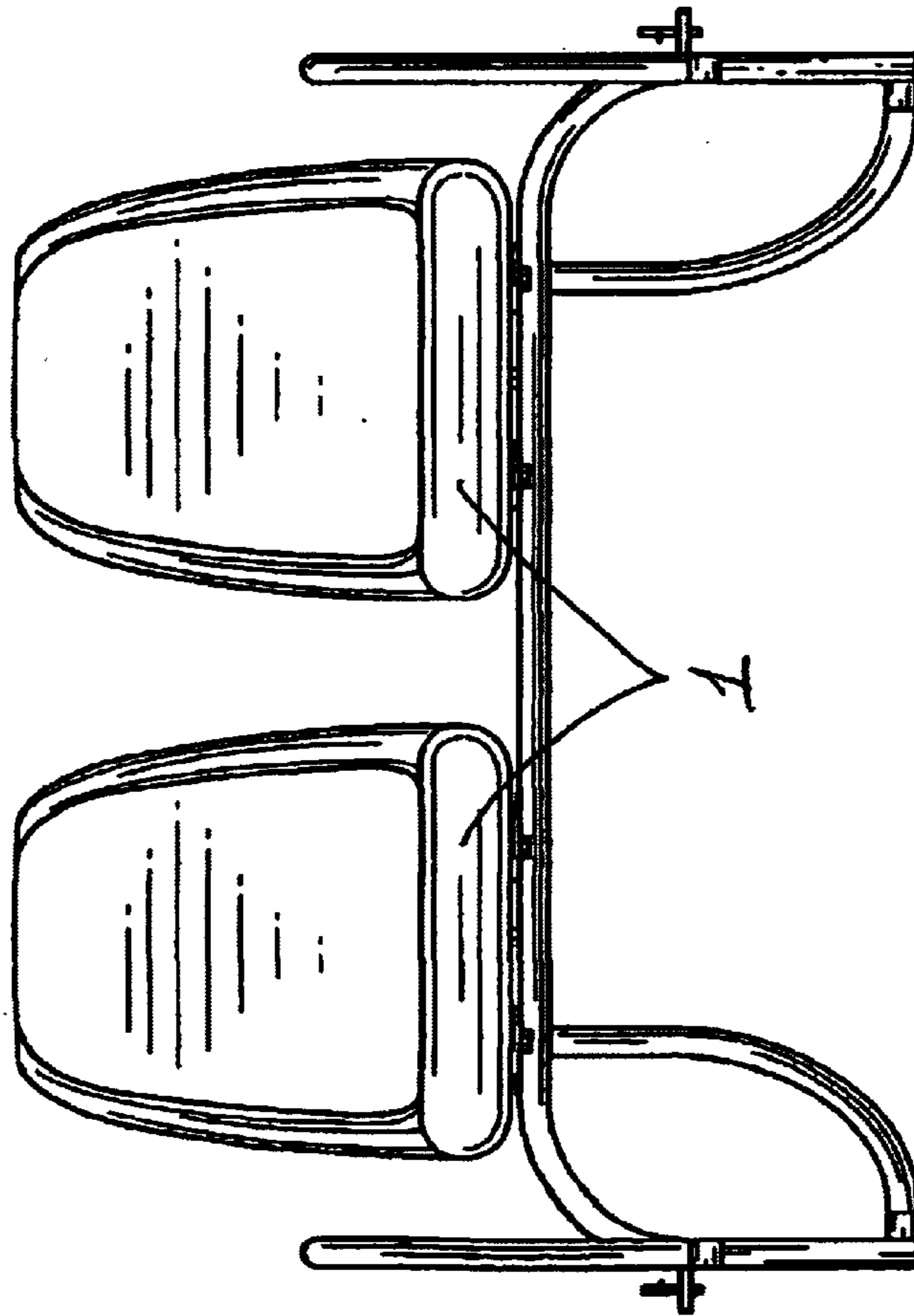
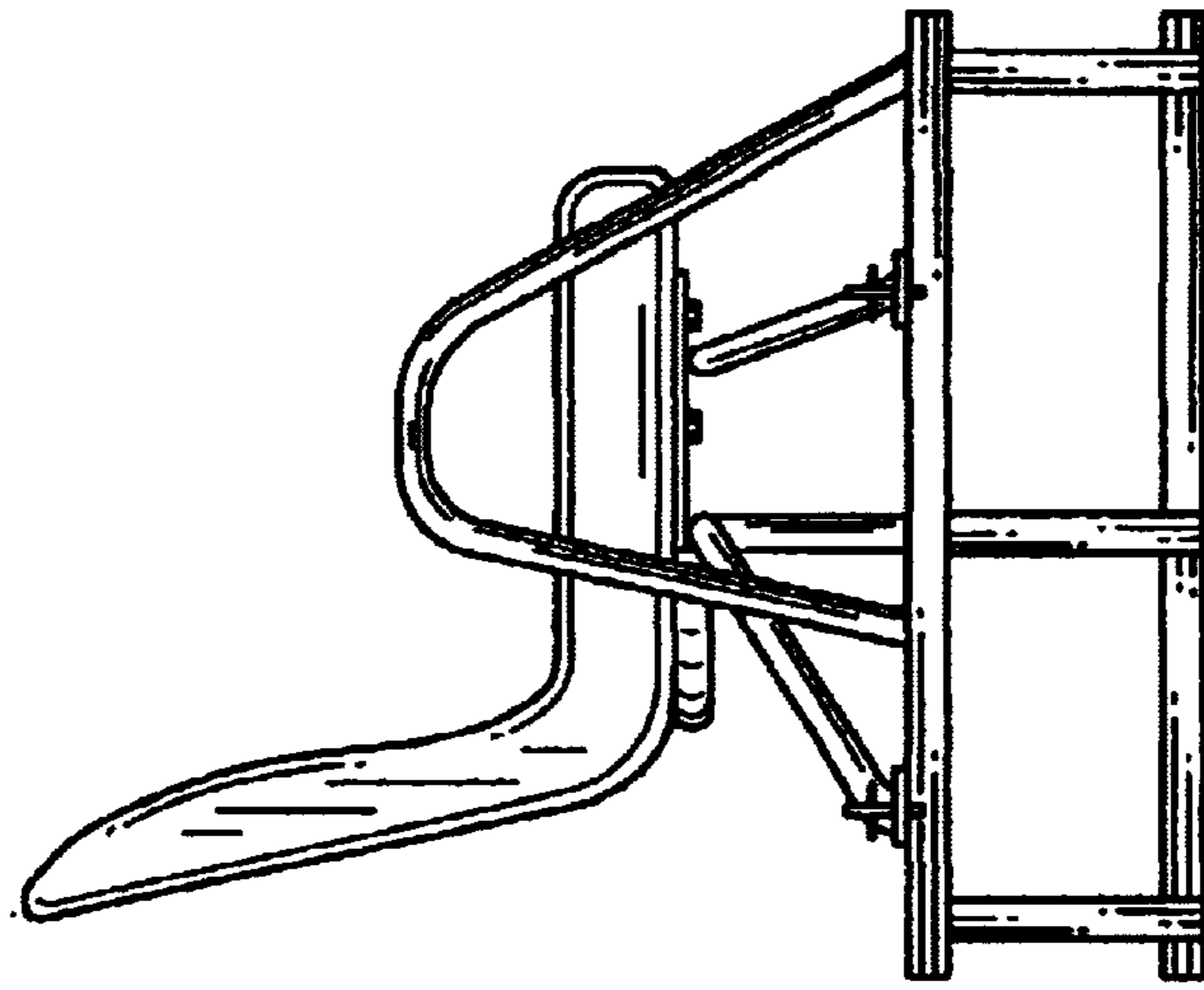
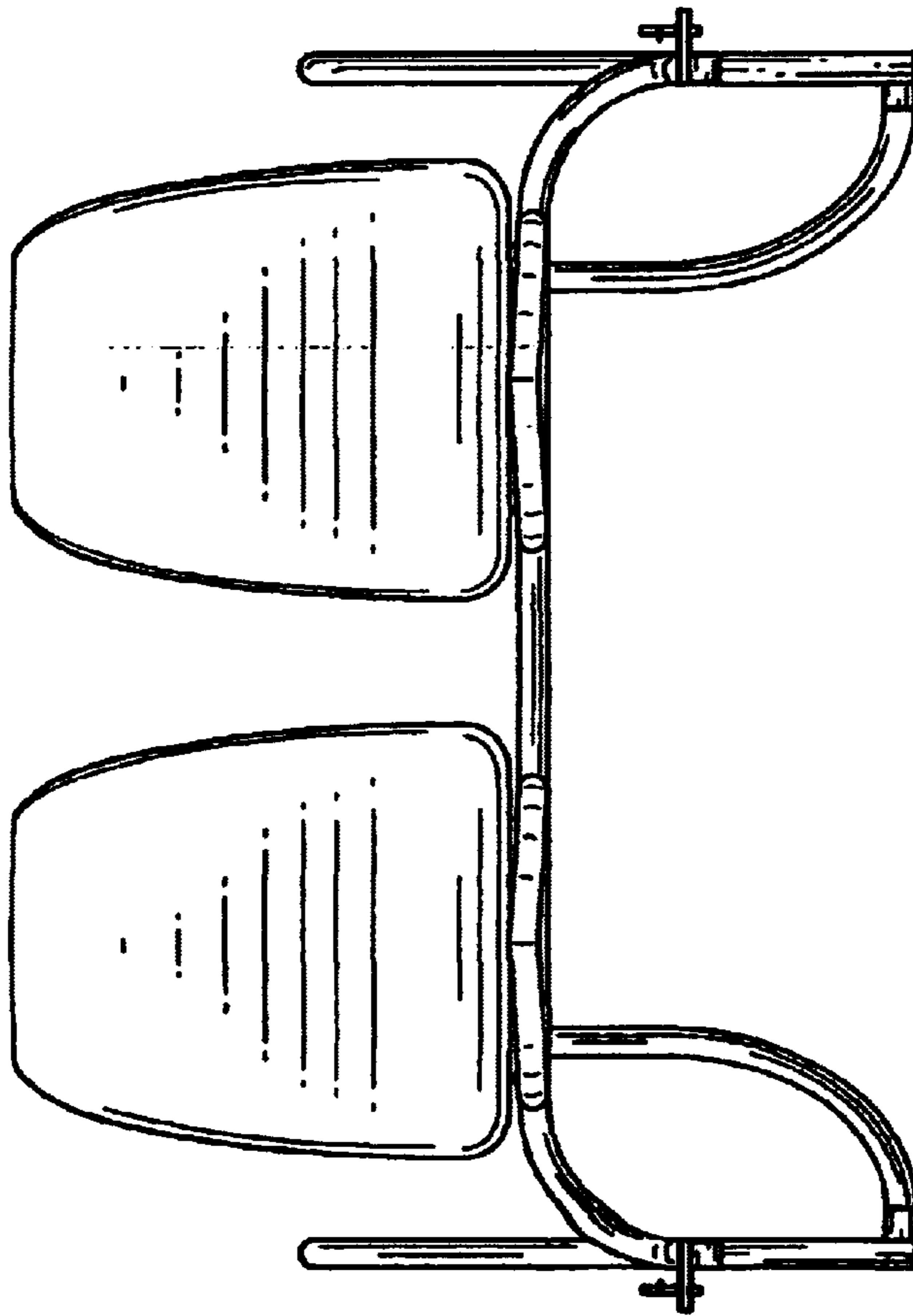


Fig. 2



*Fig. 5*



*Fig. 4*

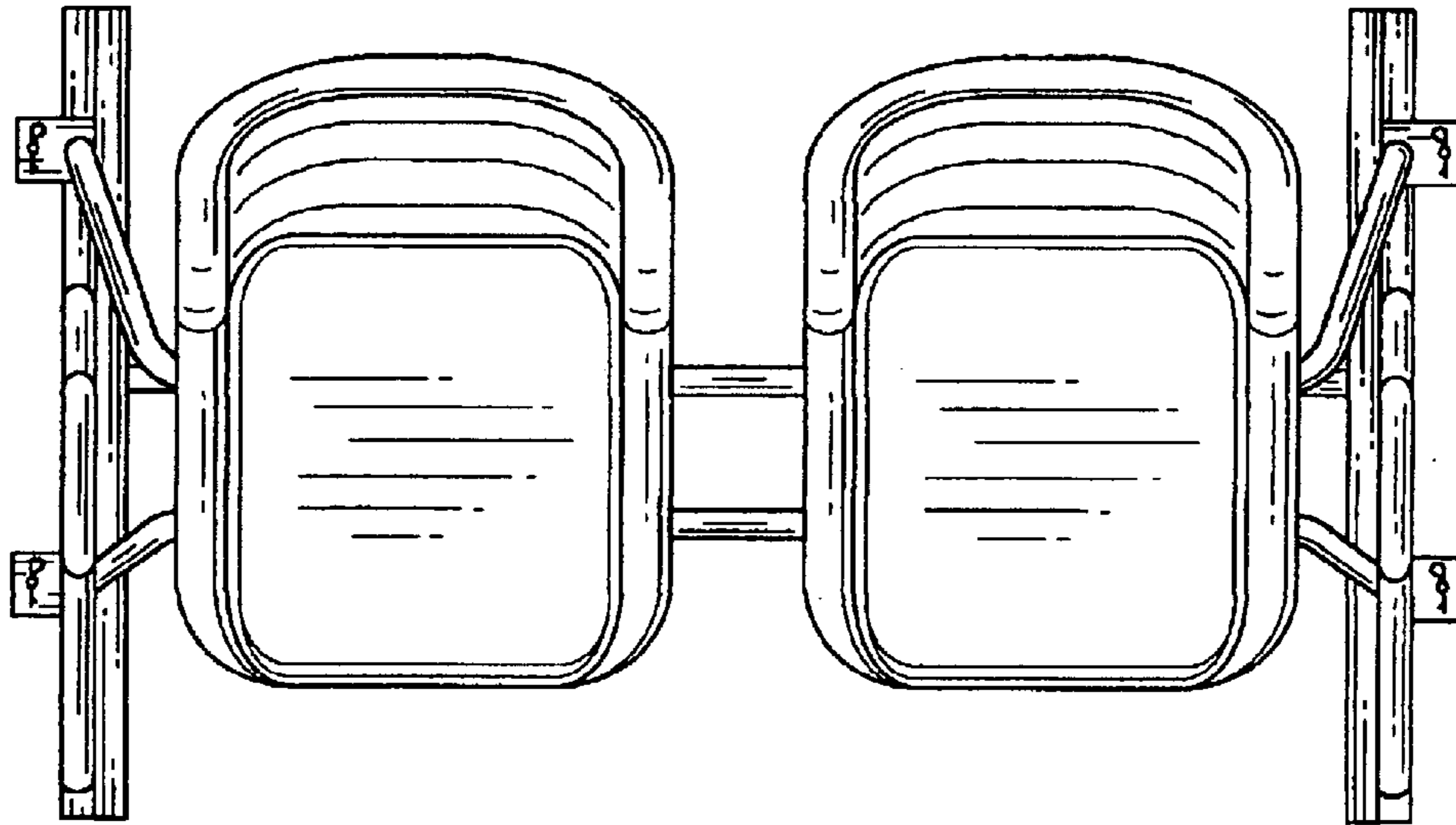


Fig. 6

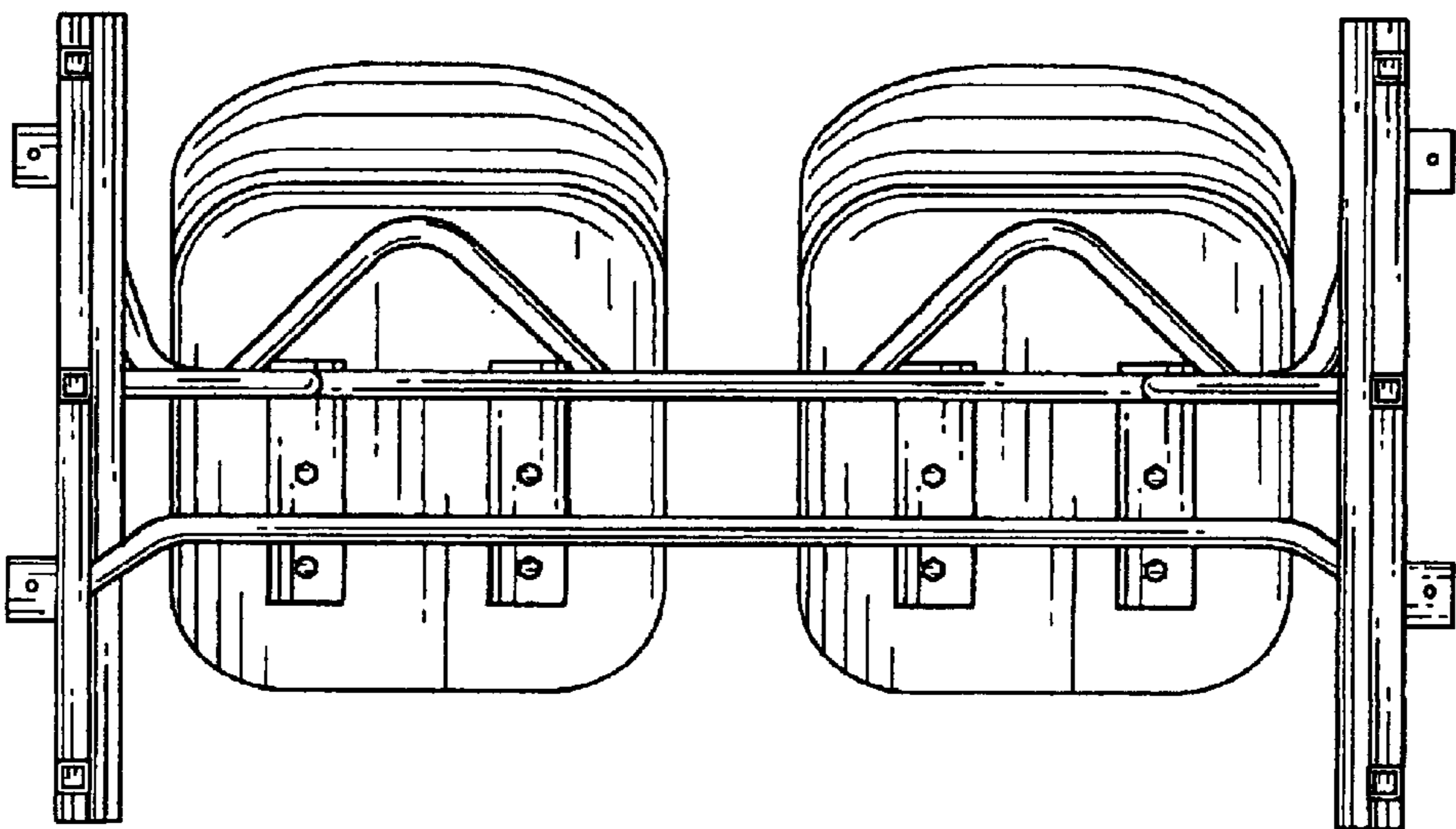


Fig. 7

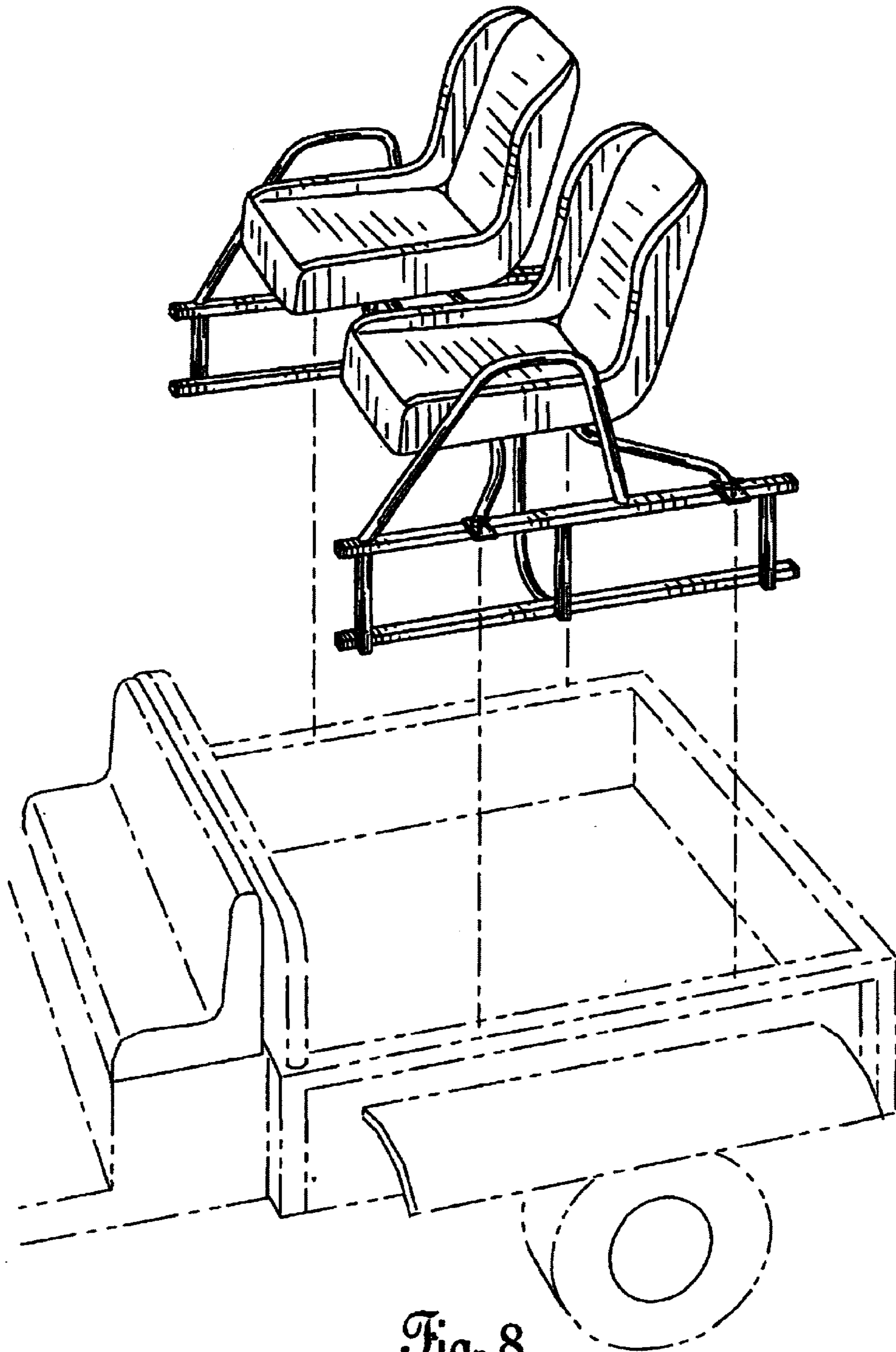


Fig. 8