



US00D526494S

(12) **United States Design Patent**  
**Fields**

(10) **Patent No.:** **US D526,494 S**

(45) **Date of Patent:** **\*\* Aug. 15, 2006**

(54) **ROBE HOOK**

(75) Inventor: **Betsy E. Fields**, Silverton, CO (US)

(73) Assignee: **Liberty Hardware Mfg. Corp.**,  
Winston-Salem, NC (US)

(\*\*) Term: **14 Years**

(21) Appl. No.: **29/245,274**

(22) Filed: **Dec. 21, 2005**

(51) **LOC (8) Cl.** ..... **06-08**

(52) **U.S. Cl.** ..... **D6/323**

(58) **Field of Classification Search** ..... D6/315-317,  
D6/320, 323, 324, 325, 327, 328; D8/363,  
D8/367, 370-373; 248/301-304, 214, 215,  
248/682, 690-692

See application file for complete search history.

(56) **References Cited**

U.S. PATENT DOCUMENTS

- D247,146 S \* 2/1978 Watt, Jr. .... D6/323
- D267,137 S \* 12/1982 Mayer ..... D8/367
- D343,066 S \* 1/1994 Hsu ..... D6/323

- D472,059 S \* 3/2003 Hoernig ..... D6/323
- D472,061 S \* 3/2003 Hoernig ..... D6/323
- D473,453 S \* 4/2003 Goodman et al. .... D8/367
- D493,093 S \* 7/2004 Goodman et al. .... D8/367
- D496,258 S \* 9/2004 Fields ..... D8/367

\* cited by examiner

*Primary Examiner*—Nanda Bondade

*Assistant Examiner*—Shanda C. Hill

(74) *Attorney, Agent, or Firm*—Edgar A. Zarins; Lloyd D. Doigan

(57) **CLAIM**

The ornamental design for a robe hook, as shown and described.

**DESCRIPTION**

FIG. 1 is a perspective view of a robe hook showing my new design;

FIG. 2 is a front elevational view thereof;

FIG. 3 is a top plan view thereof; and,

FIG. 4 is a left side view thereof, the opposite side being a mirror image of the side shown.

**1 Claim, 2 Drawing Sheets**

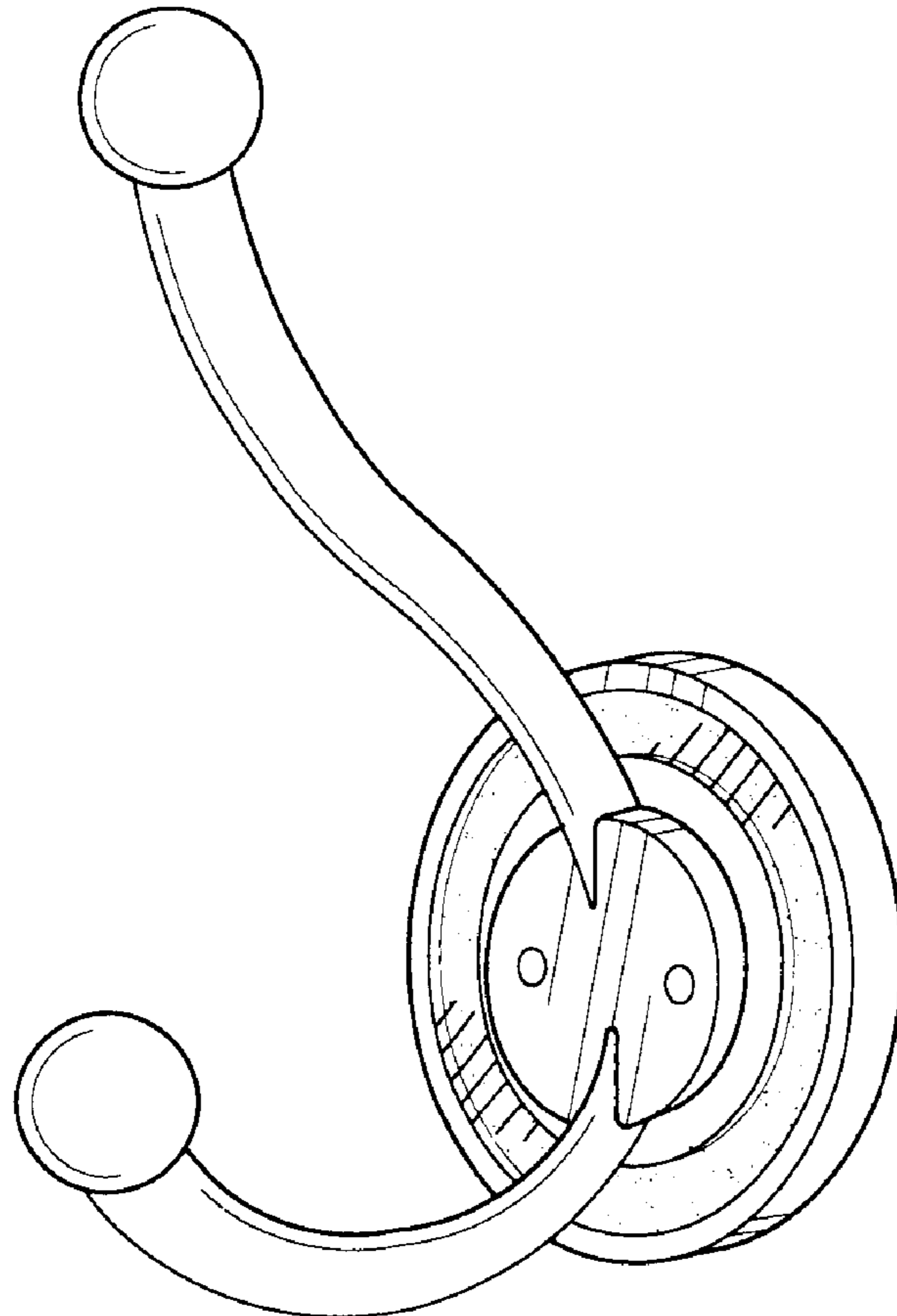


Fig-1

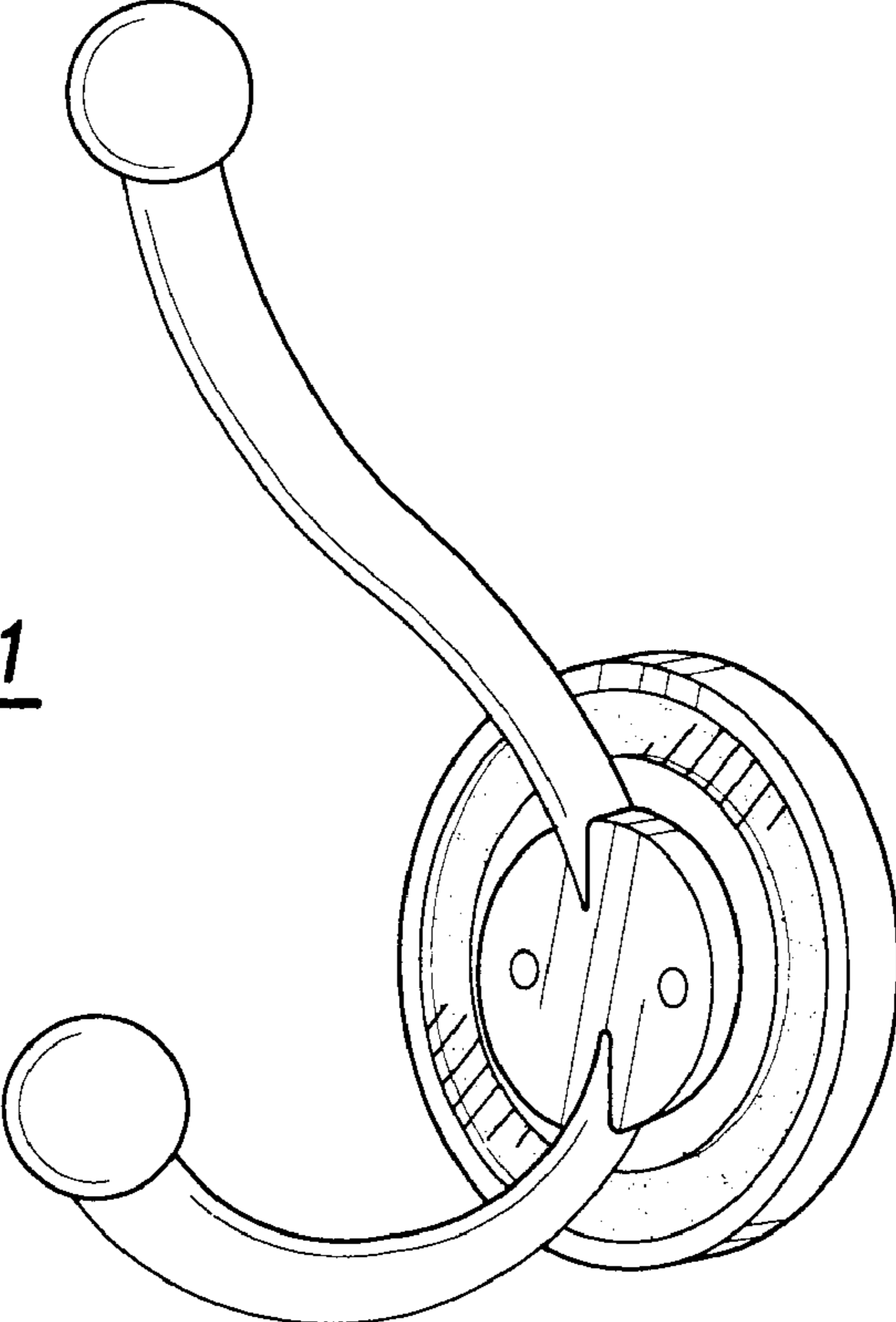
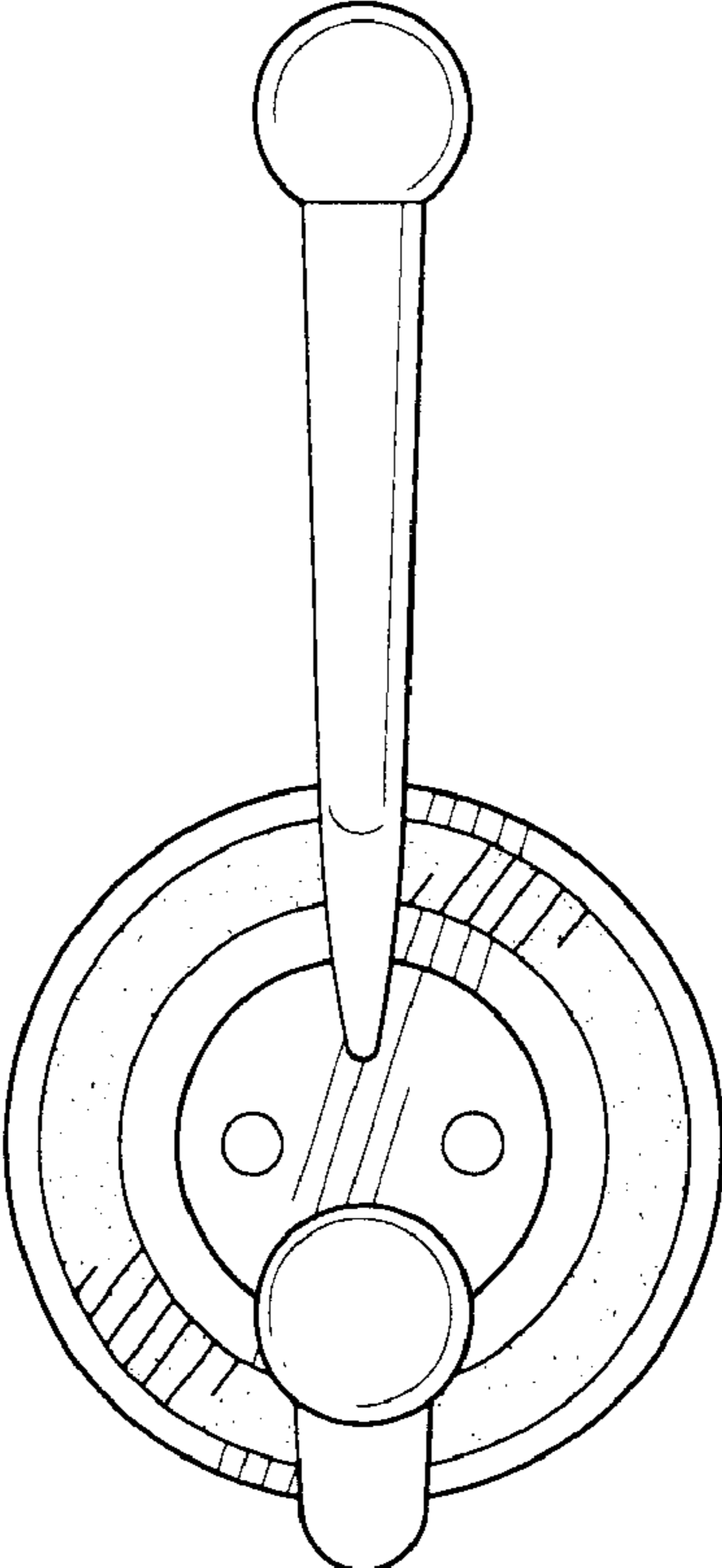


Fig-2



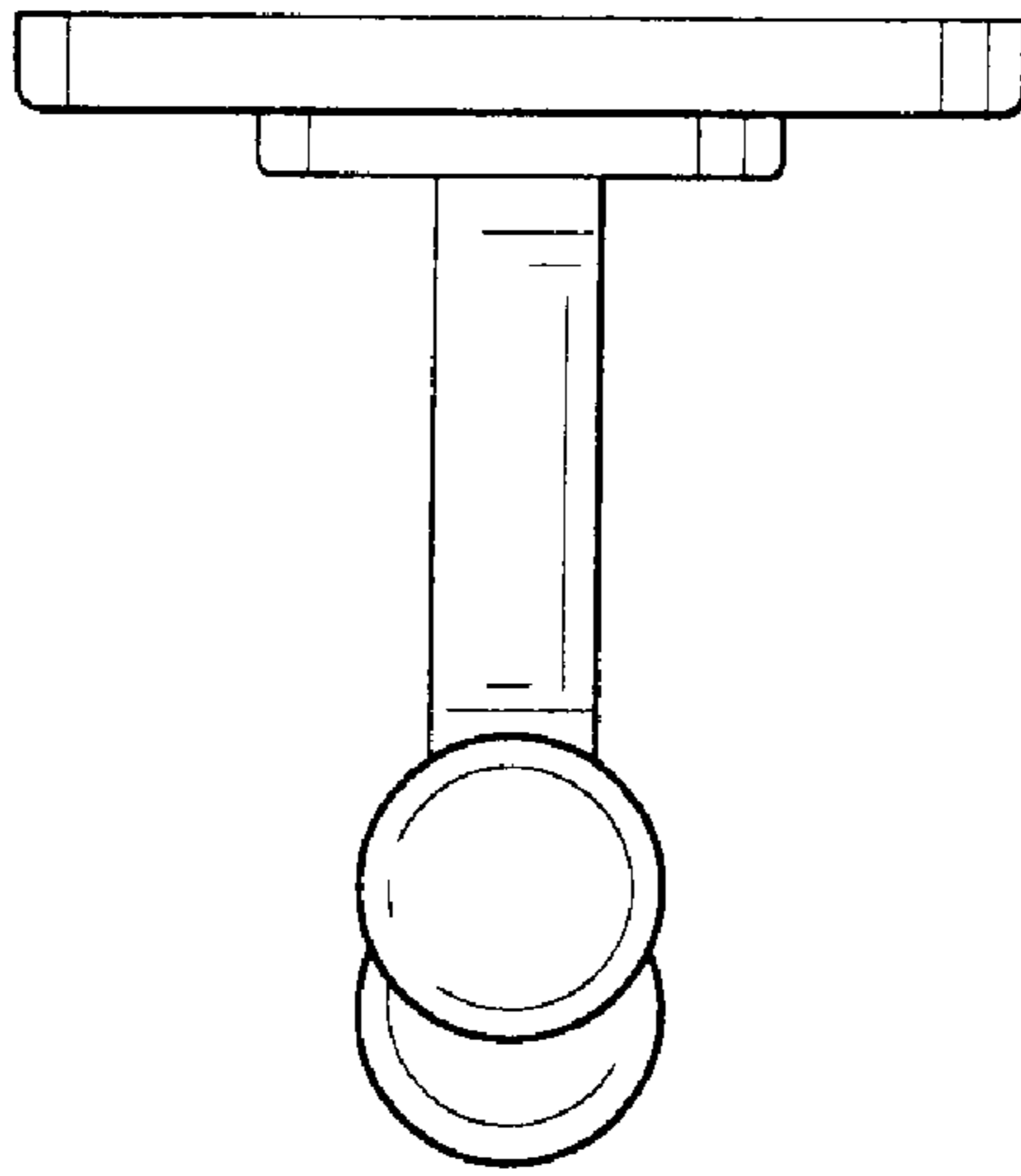


Fig-3

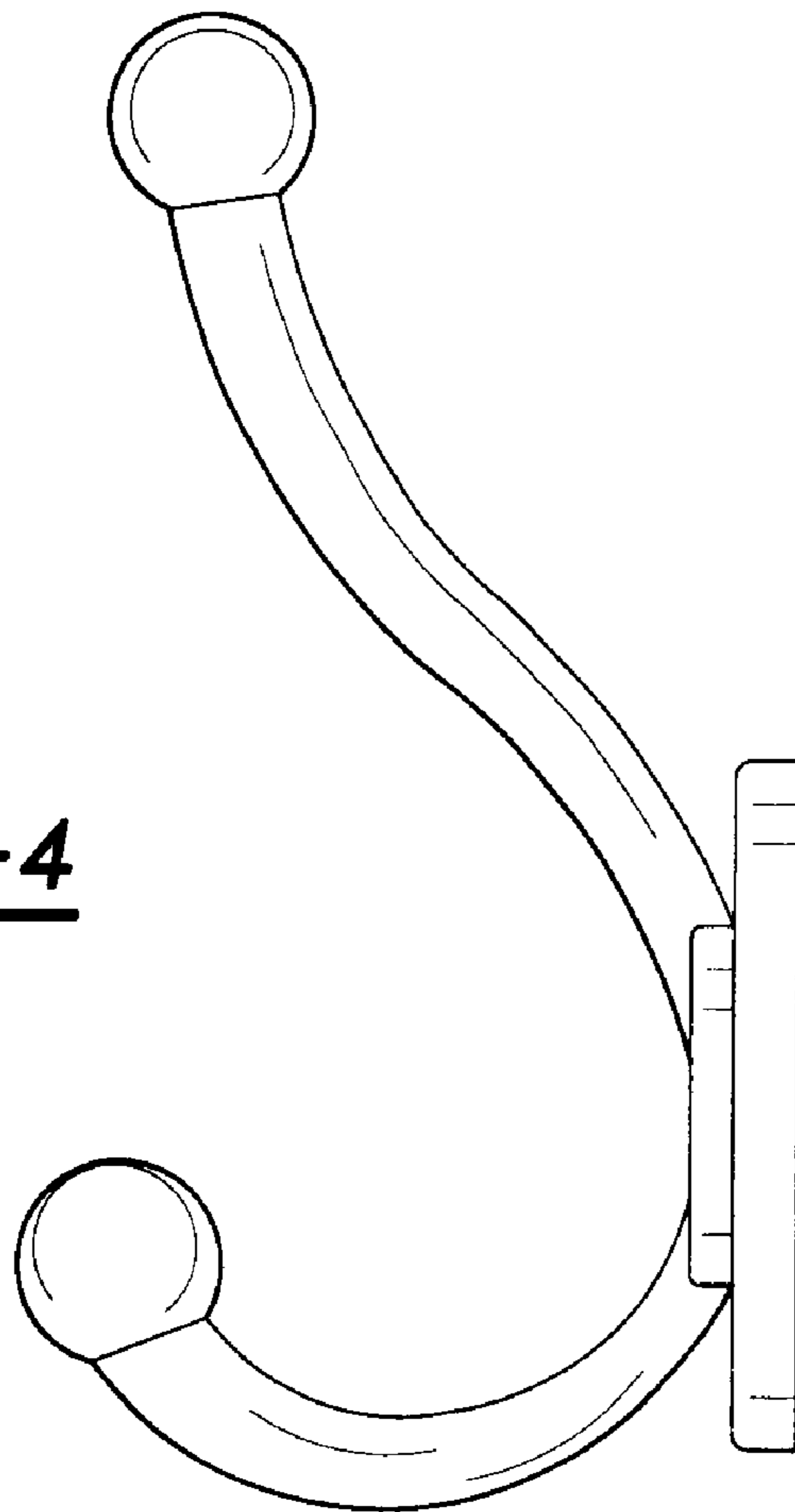


Fig-4