



US00D526486S

(12) **United States Design Patent**
Herring

(10) **Patent No.:** **US D526,486 S**

(45) **Date of Patent:** **** Aug. 15, 2006**

(54) **EQUIPMENT CARRIER**

(75) **Inventor:** **Michael William Herring**, Carrollton,
TX (US)

(73) **Assignee:** **Victor Equipment Company**, Denton,
TX (US)

(**) **Term:** **14 Years**

(21) **Appl. No.:** **29/217,146**

(22) **Filed:** **Nov. 13, 2004**

(51) **LOC (8) Cl.** **03-01**

(52) **U.S. Cl.** **D3/315**

(58) **Field of Classification Search** D3/259,
D3/316, 206, 304, 307-310, 313-315; 220/23.83,
220/500, 23.86, 752; D32/53; 206/150, 162,
206/349, 372, 373; 294/87.2, 143; D9/414;
D19/77

See application file for complete search history.

(56) **References Cited**

U.S. PATENT DOCUMENTS

D258,645 S	*	3/1981	Dembicks et al.	D34/27
4,735,313 A	*	4/1988	Schoenberg	206/427
D351,498 S	*	10/1994	Stebbins	D3/259
5,427,494 A	*	6/1995	Fitzgerald	414/459

6,213,529 B1	*	4/2001	Kurcz et al.	294/143
6,823,992 B1	*	11/2004	Redzisz	206/373
6,832,797 B1	*	12/2004	Gassel et al.	294/143
6,932,364 B1	*	8/2005	Koronowski et al.	280/47.26
2004/0051264 A1	*	3/2004	Koronowski et al.	280/47.26

* cited by examiner

Primary Examiner—Louis S. Zarfaz

Assistant Examiner—Kathleen Sims

(74) *Attorney, Agent, or Firm*—Harness, Dickey & Pierce,
P.L.C.

(57) **CLAIM**

The ornamental design for a equipment carrier, as shown and described.

DESCRIPTION

FIG. 1 is a perspective view of the equipment carrier from the front;

FIG. 2 is a perspective view thereof from the back;

FIG. 3 is a side elevation view thereof from the left;

FIG. 4 is a side elevation view thereof from the right;

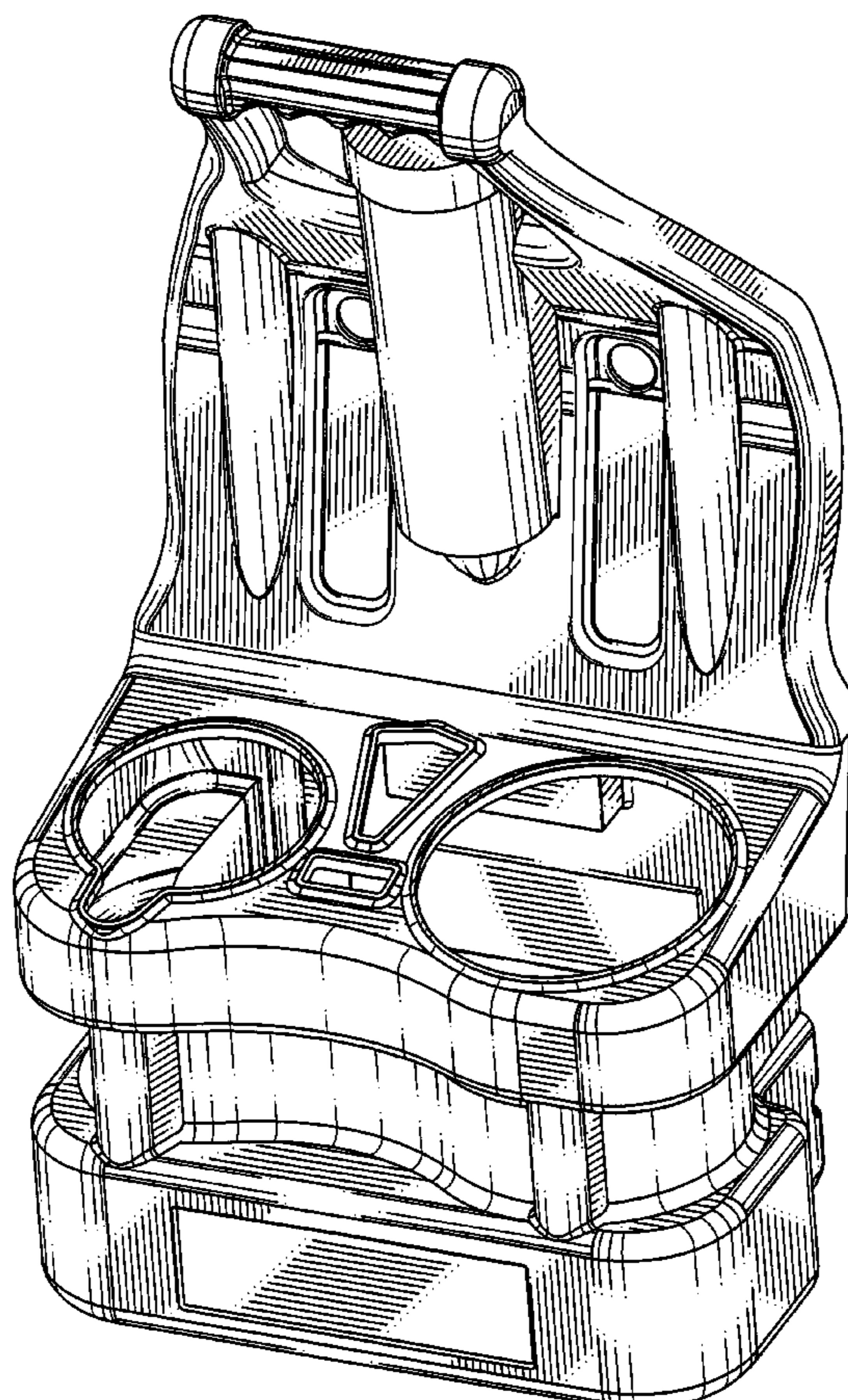
FIG. 5 is a top elevation view thereof;

FIG. 6 is a front elevation view thereof;

FIG. 7 is a back elevation view thereof; and,

FIG. 8 is a bottom elevation view thereof.

1 Claim, 8 Drawing Sheets



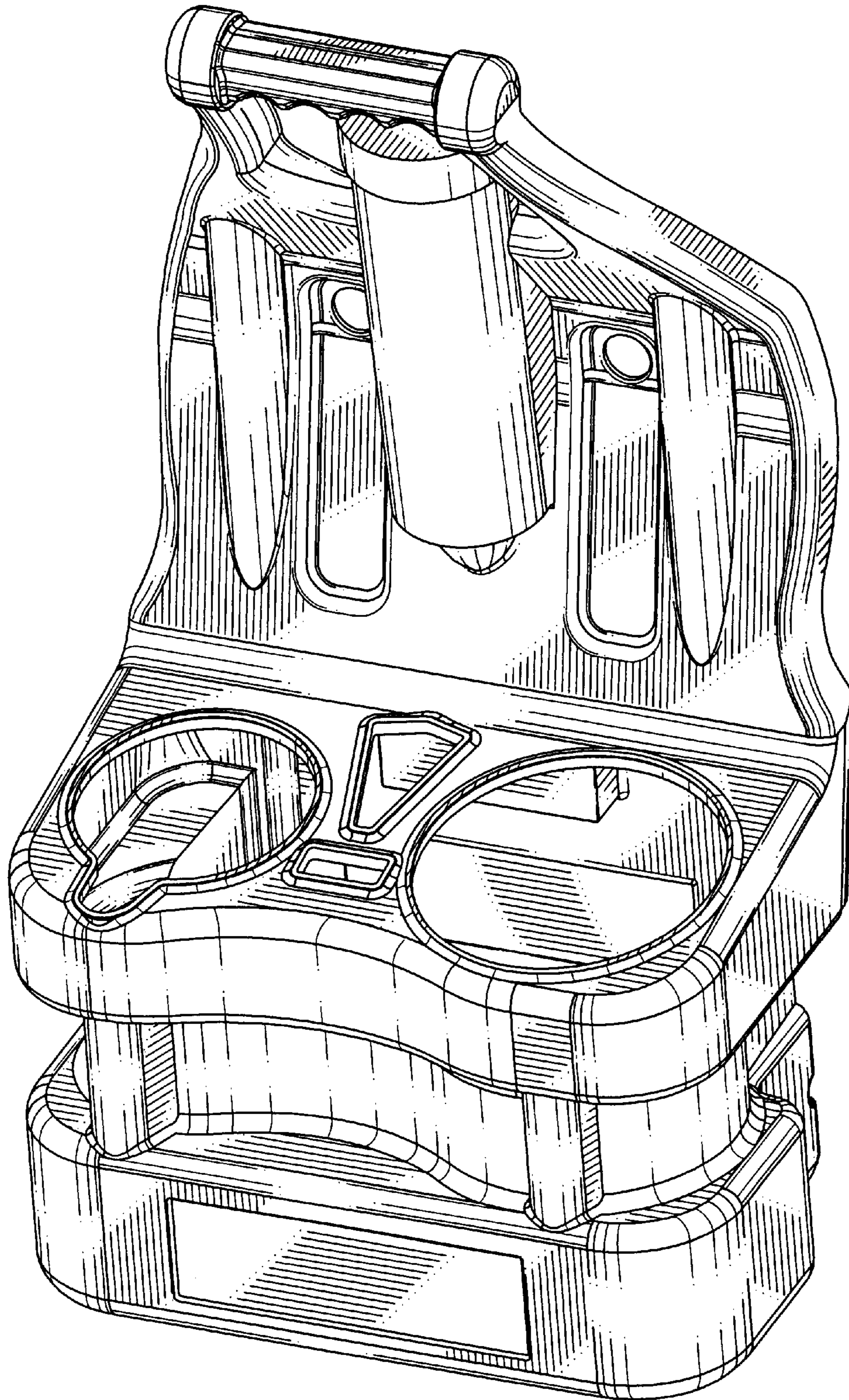


FIG. 1

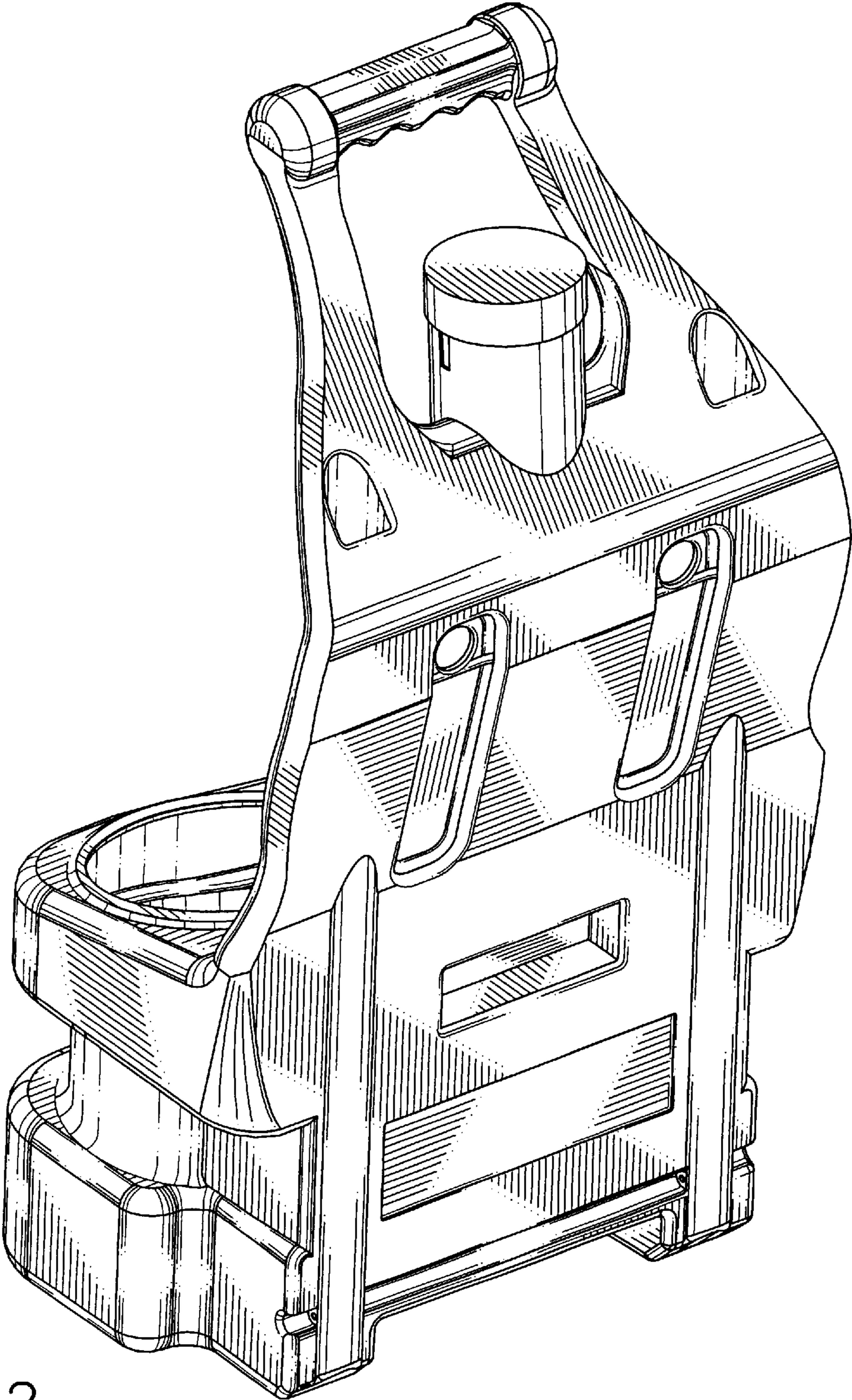


FIG. 2

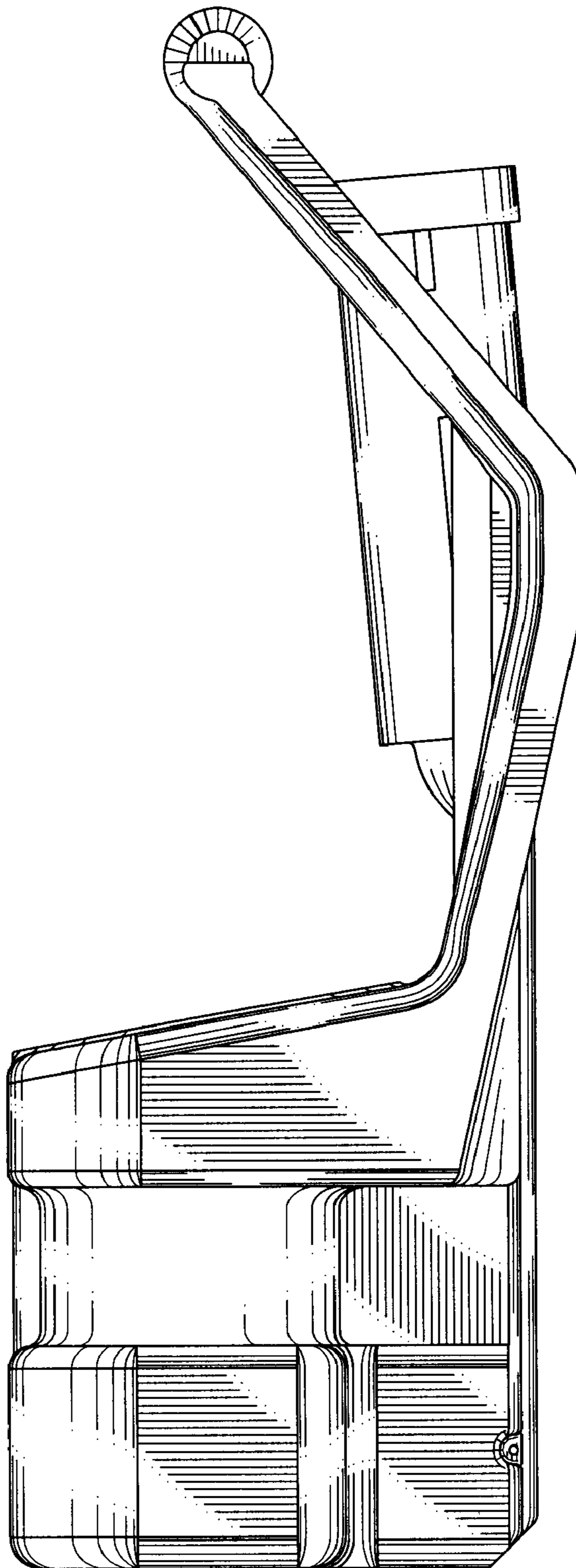


FIG. 3

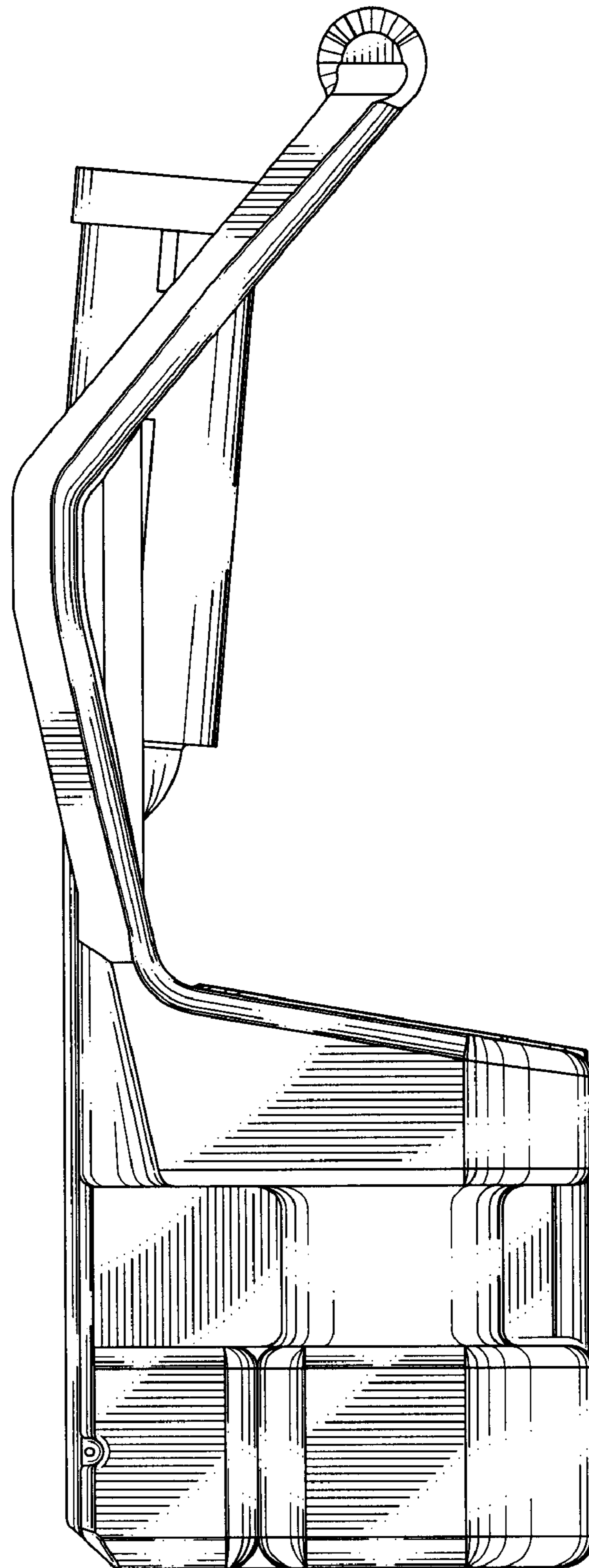


FIG. 4

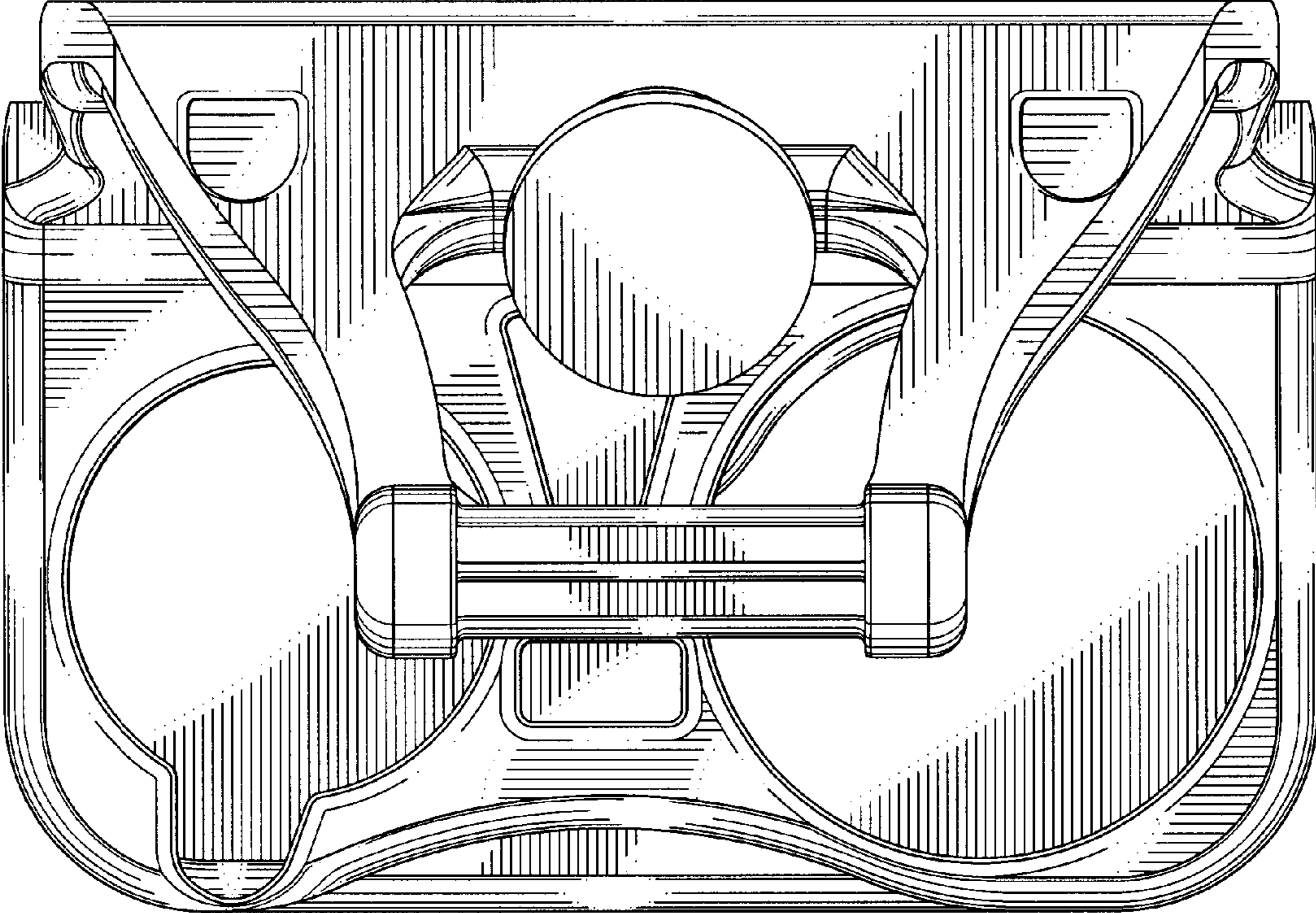


FIG. 5

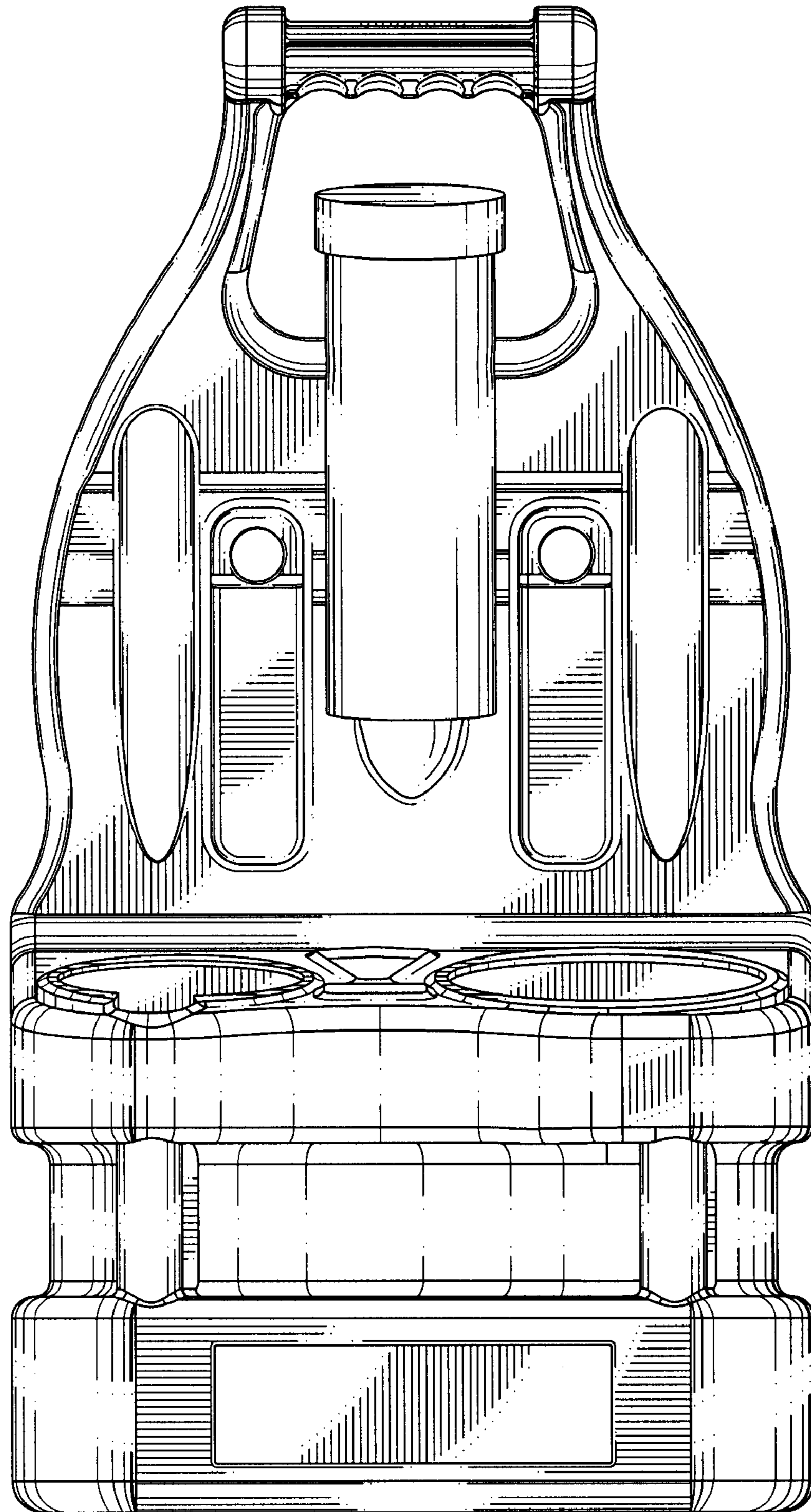


FIG. 6

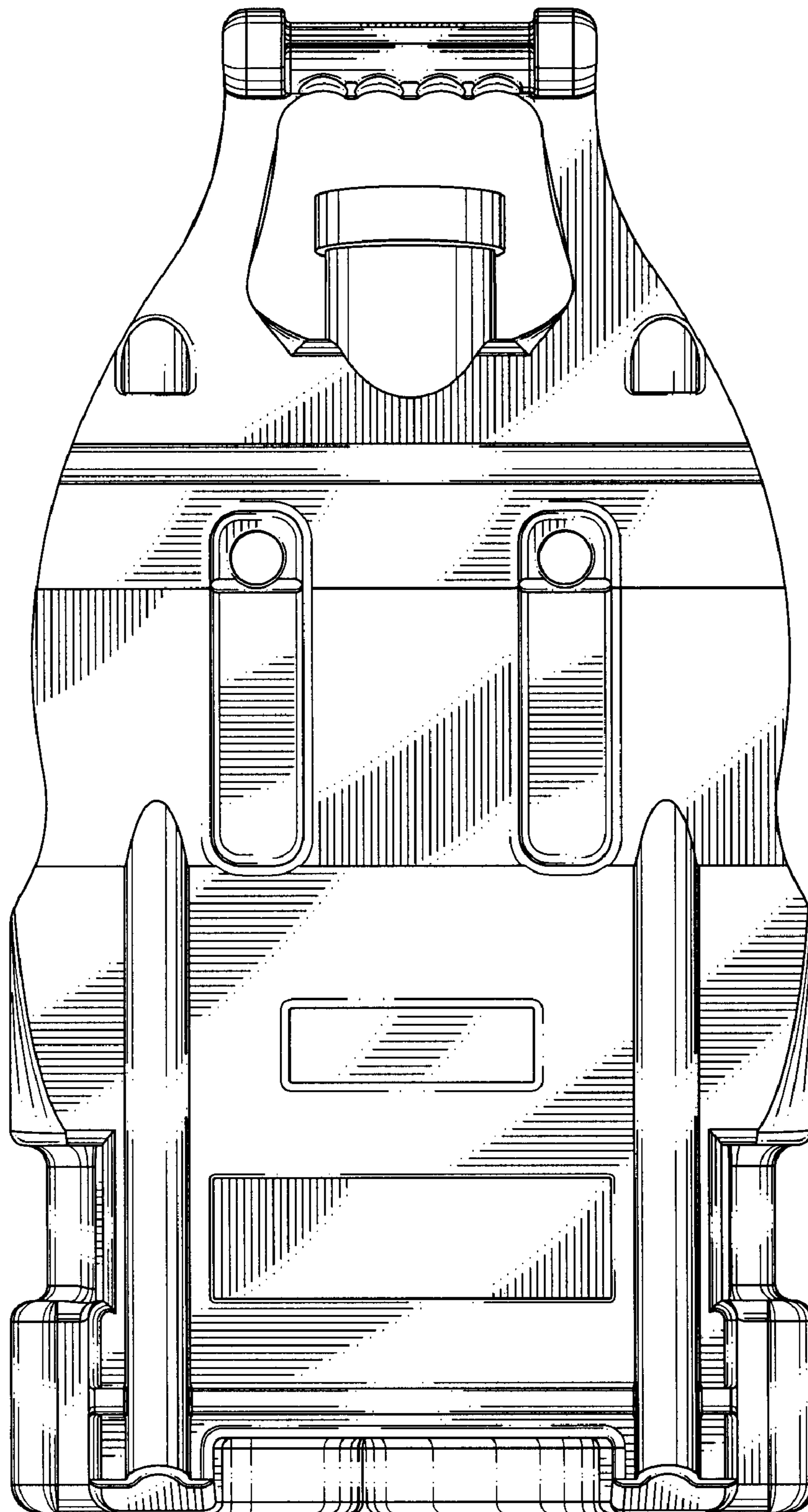


FIG. 7

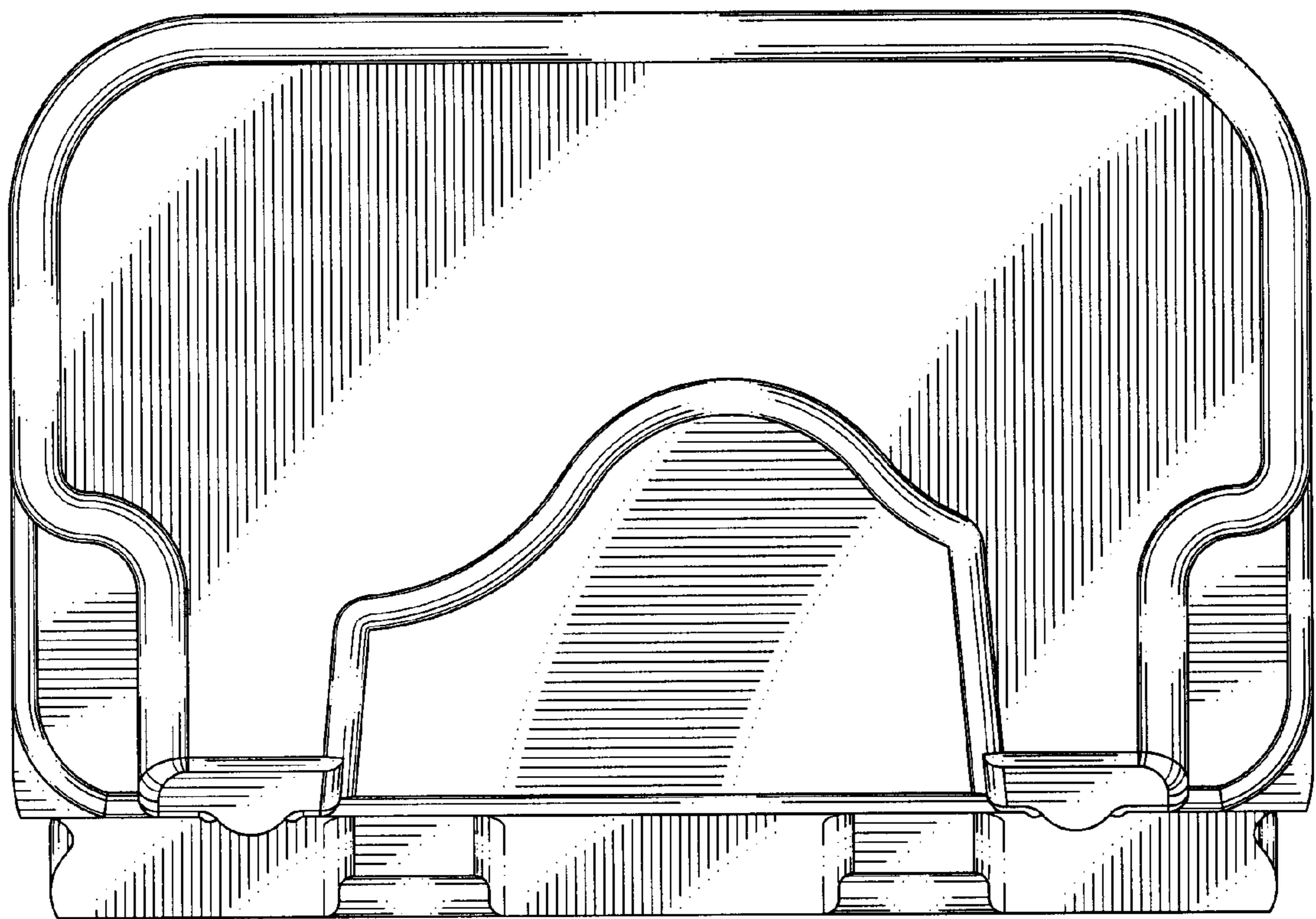


FIG. 8