



US00D526484S

(12) **United States Design Patent**
Flint

(10) **Patent No.:** **US D526,484 S**

(45) **Date of Patent:** **** Aug. 15, 2006**

(54) **CARRYING BAG**

(76) **Inventor:** **Douglas R. Flint**, 1744 Portsmouth Ct.,
Bartlett, IL (US) 60103

(**) **Term:** **14 Years**

(21) **Appl. No.:** **29/207,943**

(22) **Filed:** **Jun. 21, 2004**

(51) **LOC (8) Cl.** **03-01**

(52) **U.S. Cl.** **D3/283**; D3/284

(58) **Field of Classification Search** D3/268,
D3/270, 271.1, 273, 276, 281–285, 287, 289,
D3/290, 321, 900, 902; 190/100, 109, 115,
190/900, 903

See application file for complete search history.

(56) **References Cited**

U.S. PATENT DOCUMENTS

D257,906 S	1/1981	Weinreb	
D264,146 S	* 5/1982	Davis	D3/287
D278,190 S	4/1985	Ganz	
D280,865 S	10/1985	Bomes et al.	
D285,748 S	* 9/1986	Feinberg et al.	D3/286
4,610,286 A	9/1986	Cyr	
4,752,008 A	6/1988	Pratt	
D312,530 S	12/1990	Gallen et al.	
5,060,767 A	10/1991	Pulichino, Jr. et al.	
5,186,290 A	2/1993	Takayama	
5,413,199 A	5/1995	Clement	
5,509,515 A	4/1996	Guo	
D371,052 S	* 6/1996	Melk	D7/607
D396,144 S	7/1998	Farmer	
D398,083 S	* 9/1998	Martz	D30/109
5,873,504 A	2/1999	Farmer	
D416,680 S	* 11/1999	Latshaw	D3/286
D423,779 S	* 5/2000	Goatcher	D3/283
D432,305 S	10/2000	Hillman	
6,183,133 B1	2/2001	Roegner	
D439,409 S	3/2001	Williams	
D447,340 S	* 9/2001	Snider	D3/276
D465,329 S	11/2002	Hassett	
D472,380 S	4/2003	Hillman	

D474,598 S	* 5/2003	Platte, III	D3/279
D474,649 S	* 5/2003	Spence, Jr.	D7/607
D501,603 S	* 2/2005	Shamas	D3/289
2002/0148741 A1	10/2002	Stobbs et al.	

* cited by examiner

Primary Examiner—Philip S. Hyder

Assistant Examiner—RoseLynne (Ulm) Cody

(74) *Attorney, Agent, or Firm*—Welsh & Katz, Ltd.

(57) **CLAIM**

The ornamental design for a carrying bag, as shown and described.

DESCRIPTION

FIG. 1 is a front perspective view of a carrying bag showing my new design;

FIG. 2 is a top view of the carrying bag of FIG. 1;

FIG. 3 is a left side view of the carrying bag as shown in FIG. 1;

FIG. 4 is a front elevational view of the carrying bag of FIG. 1;

FIG. 5 is a rear elevational view of the carrying bag as shown in FIG. 1;

FIG. 6 is a right side view of the carrying bag of FIG. 1;

FIG. 7 is a bottom view of the carrying bag as shown in FIG. 1;

FIG. 8 is a front perspective view of the carrying bag as shown in FIG. 1 with the top lid opened showing the interior of the bag;

FIG. 9 is a top view of the carrying bag as shown in FIG. 1 with the lid opened showing the interior of the lid and of the bag;

FIG. 10 is a front perspective view of the carrying bag as shown in FIG. 1 with the front lower right compartment cover opened showing the interior of the compartment; and, FIG. 11 is a front elevational view of the carrying bag as shown in FIG. 10 with the front lower right compartment cover opened showing the interior of the compartment.

The areas of cross-hatching are meant to represent a texture that extends across the entire surface.

1 Claim, 11 Drawing Sheets

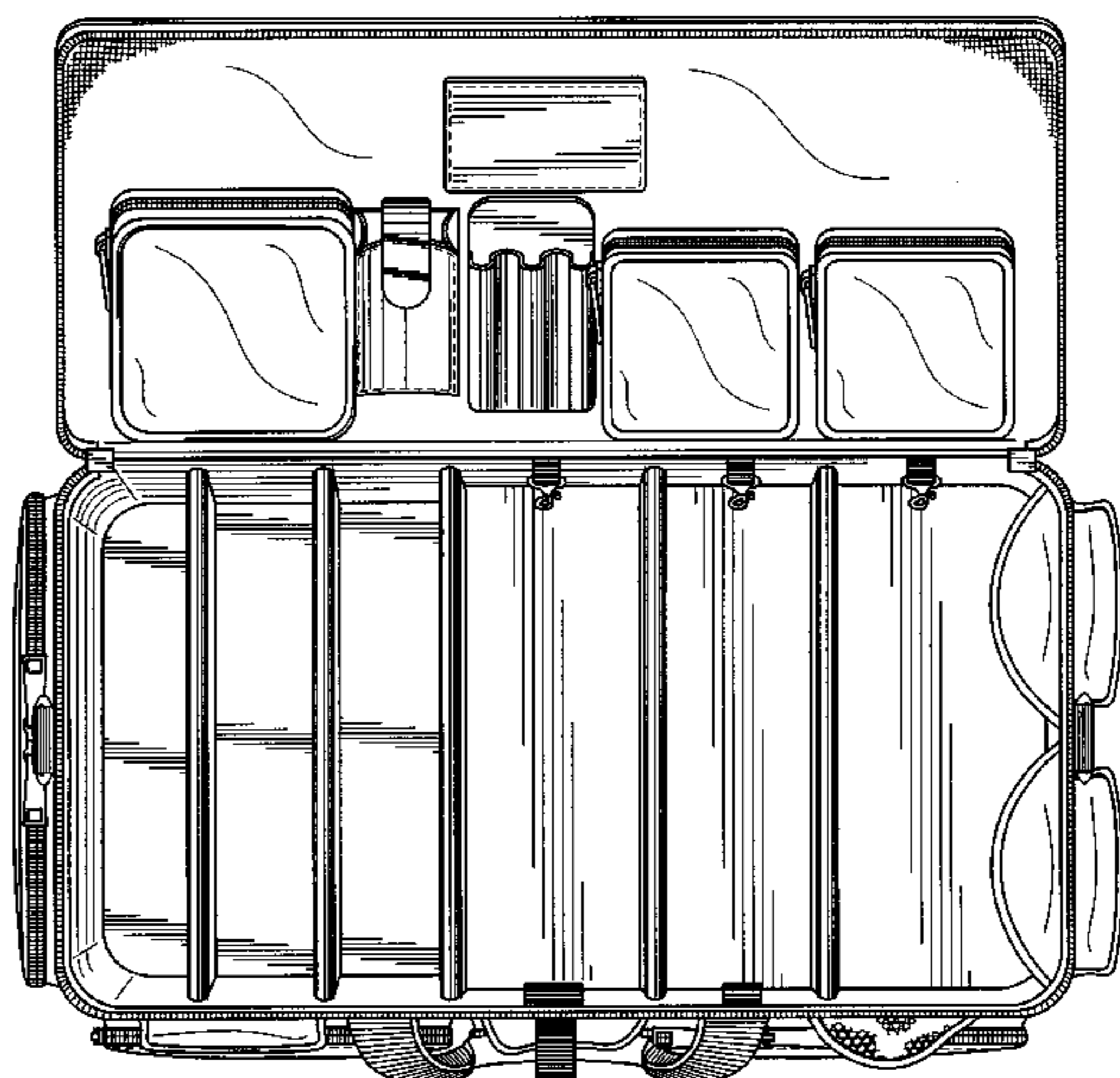
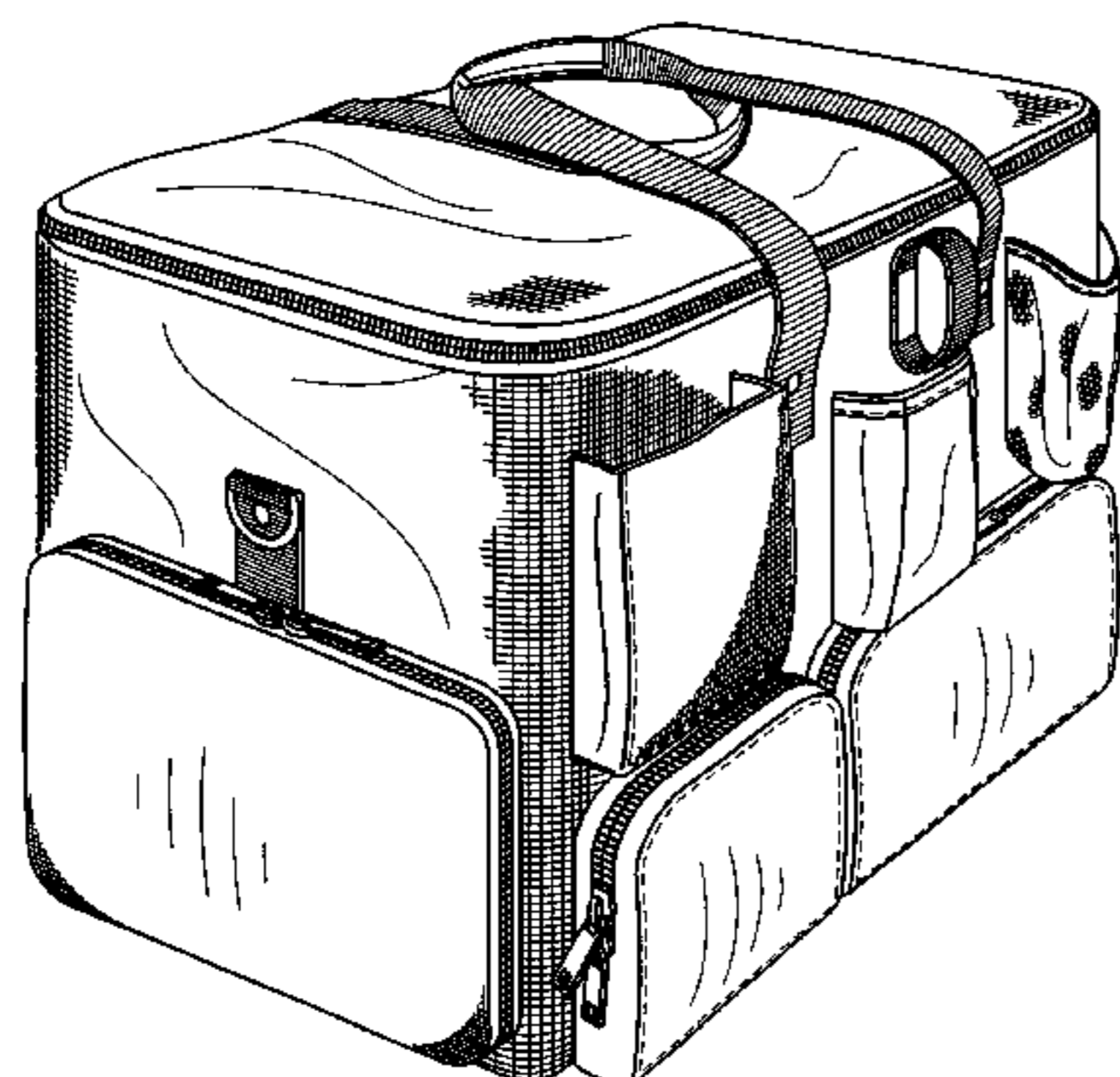


Fig. 1

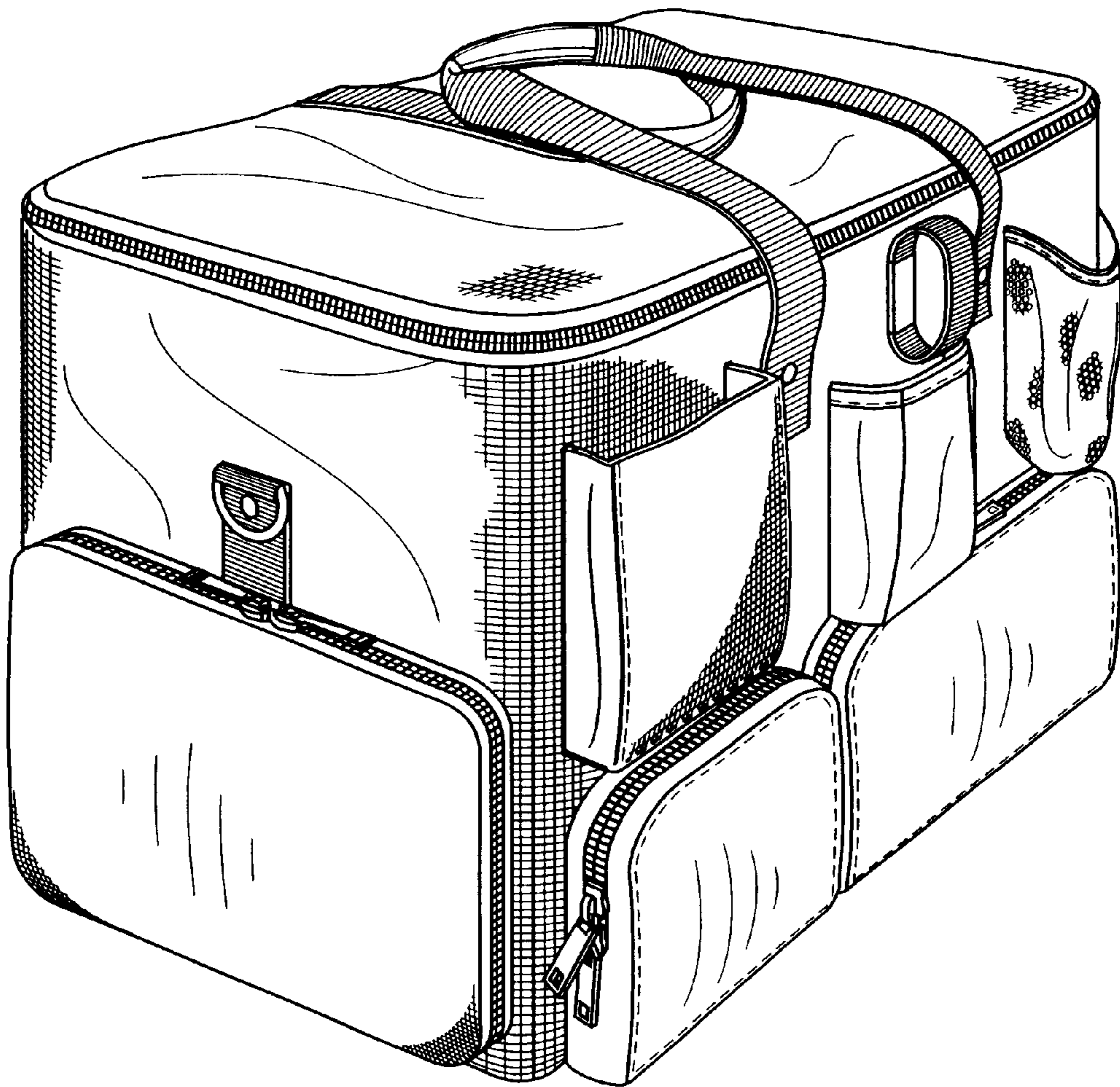


Fig. 2

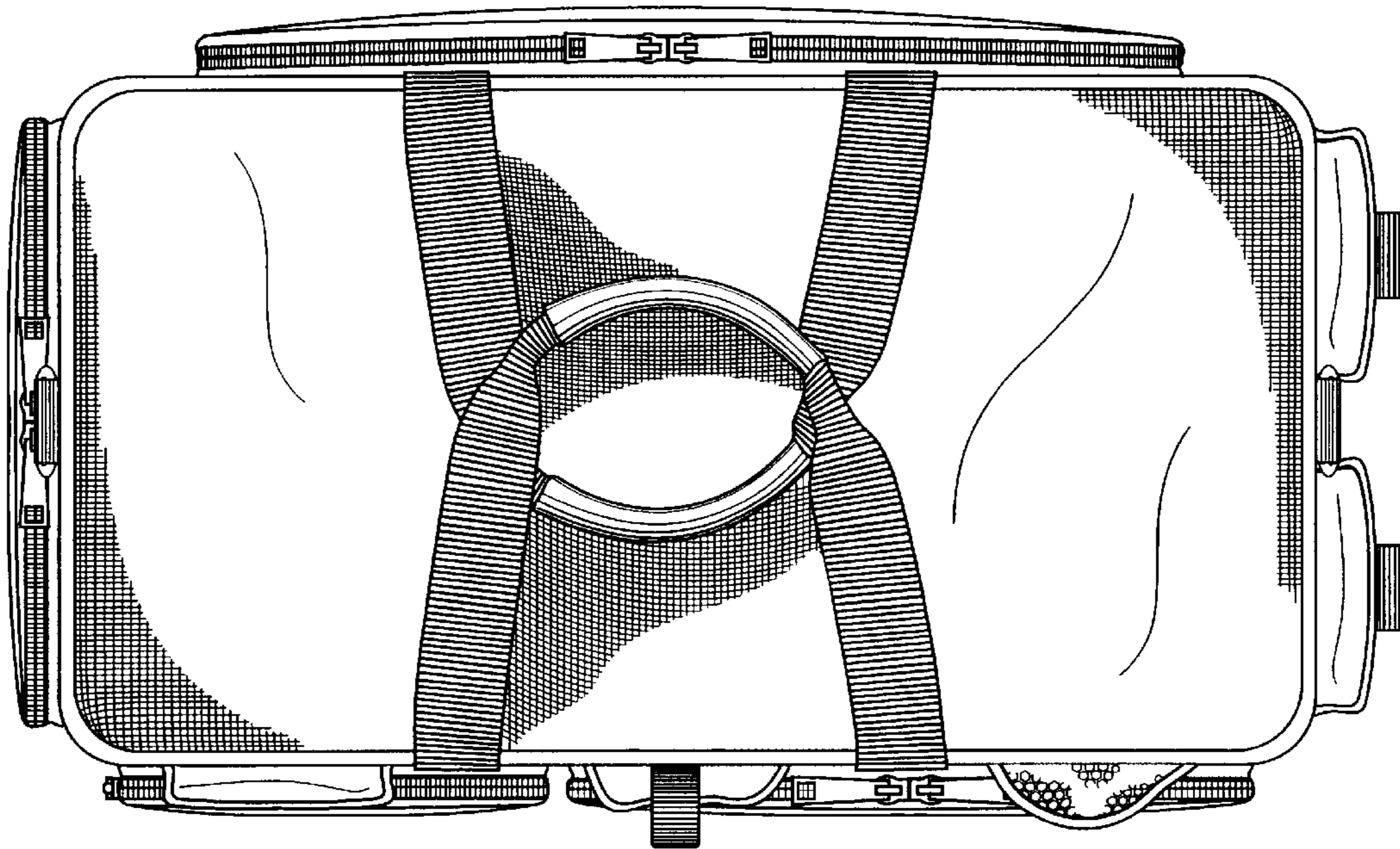


Fig. 3

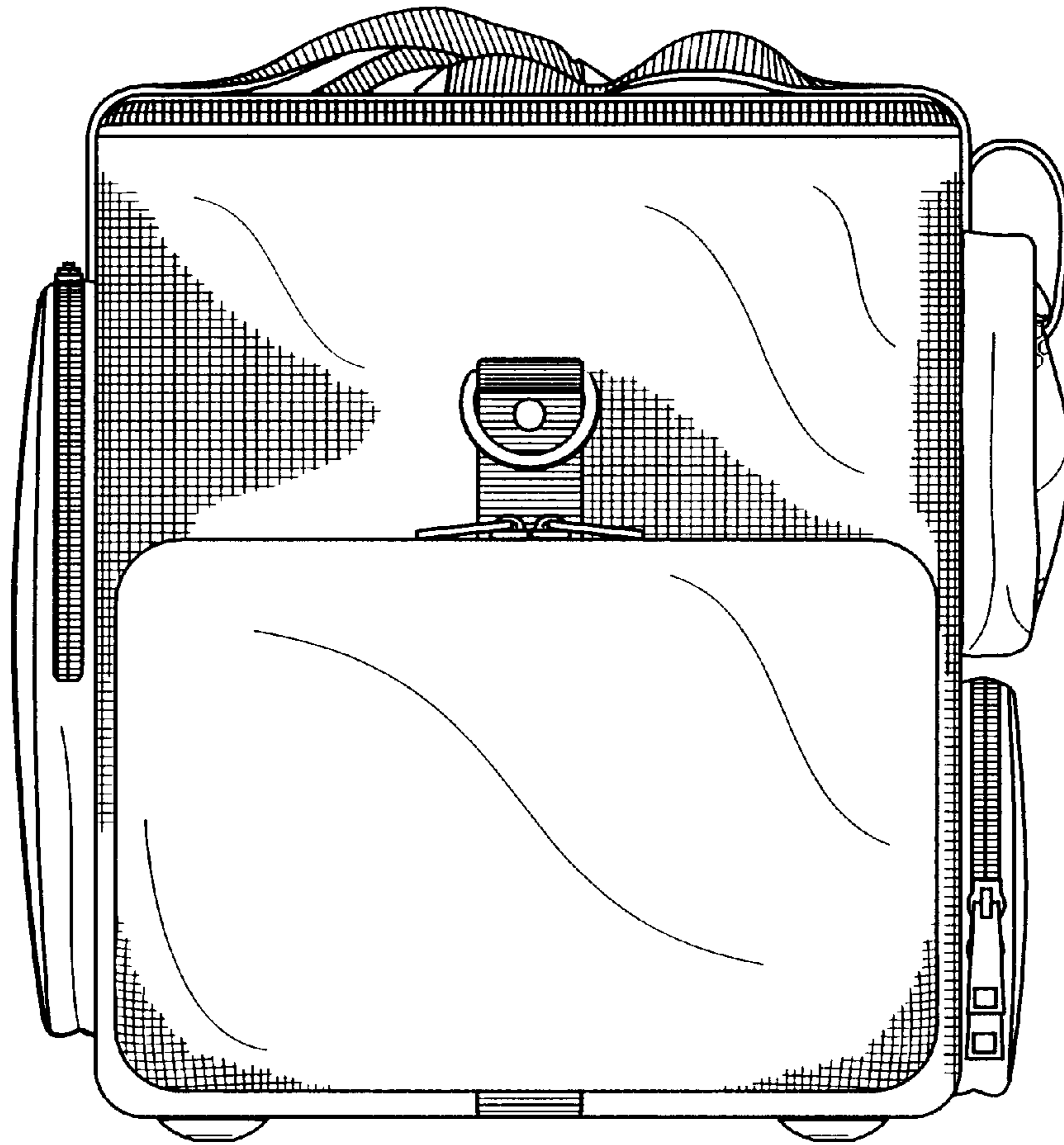


Fig. 4

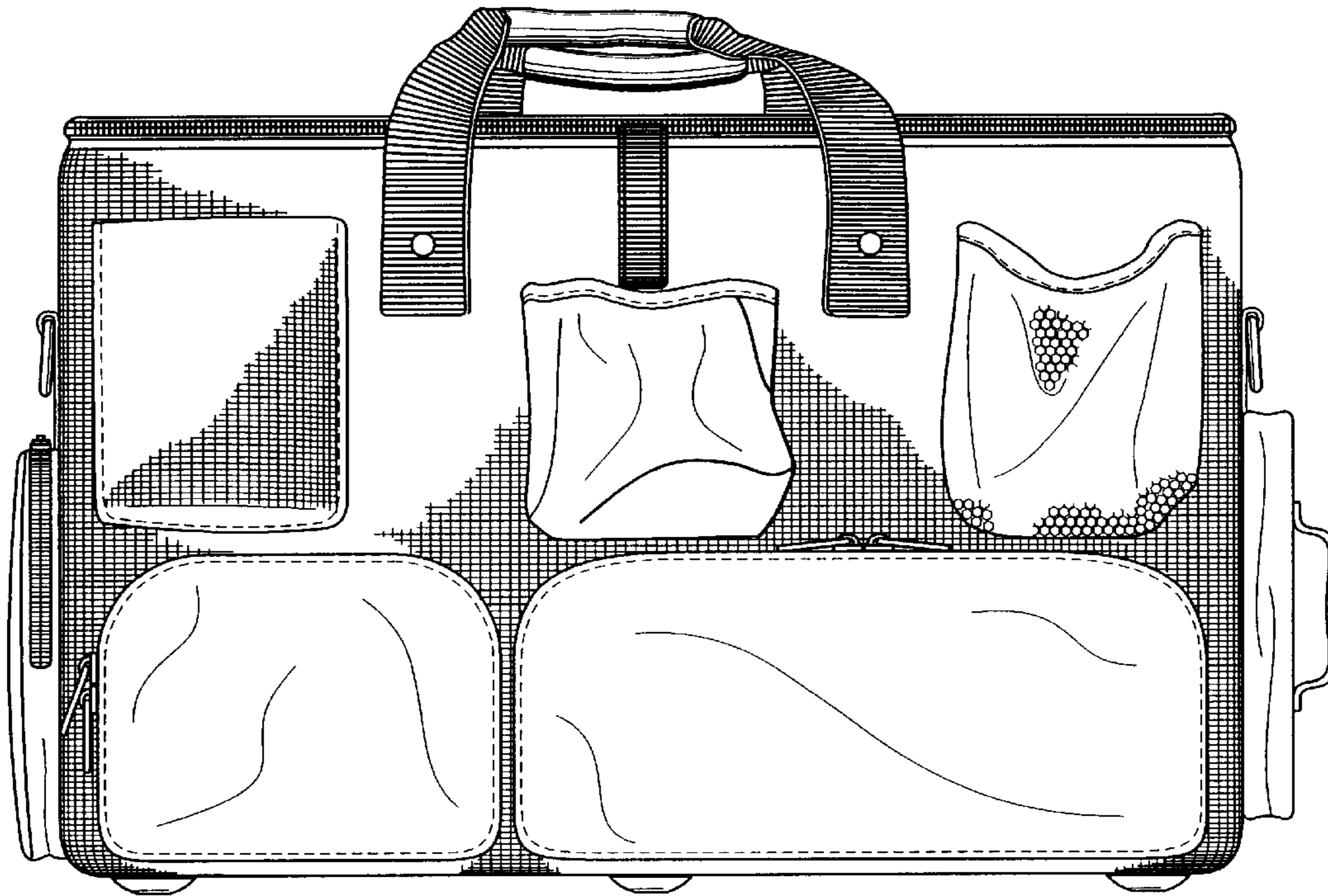


Fig. 5

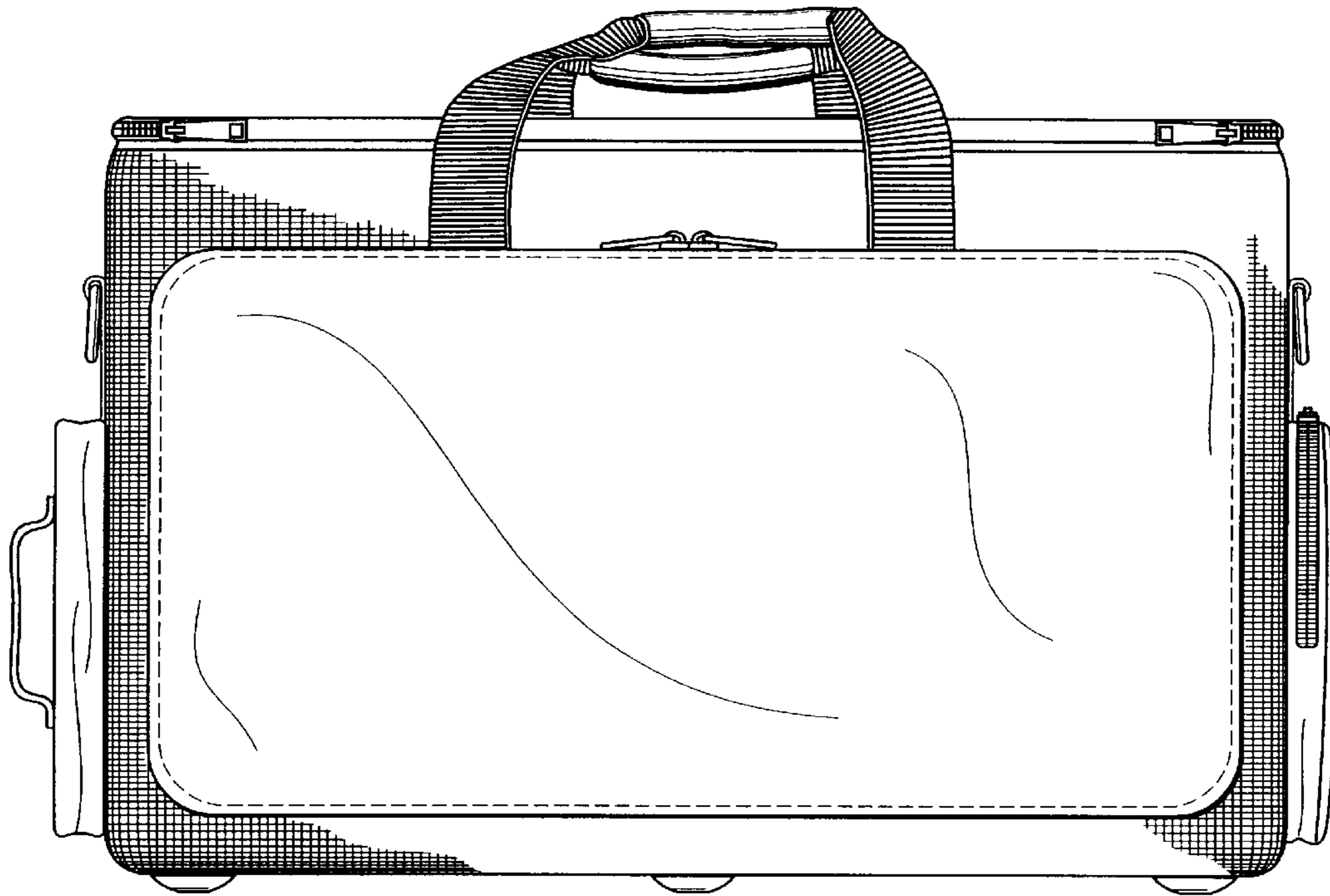


Fig. 6

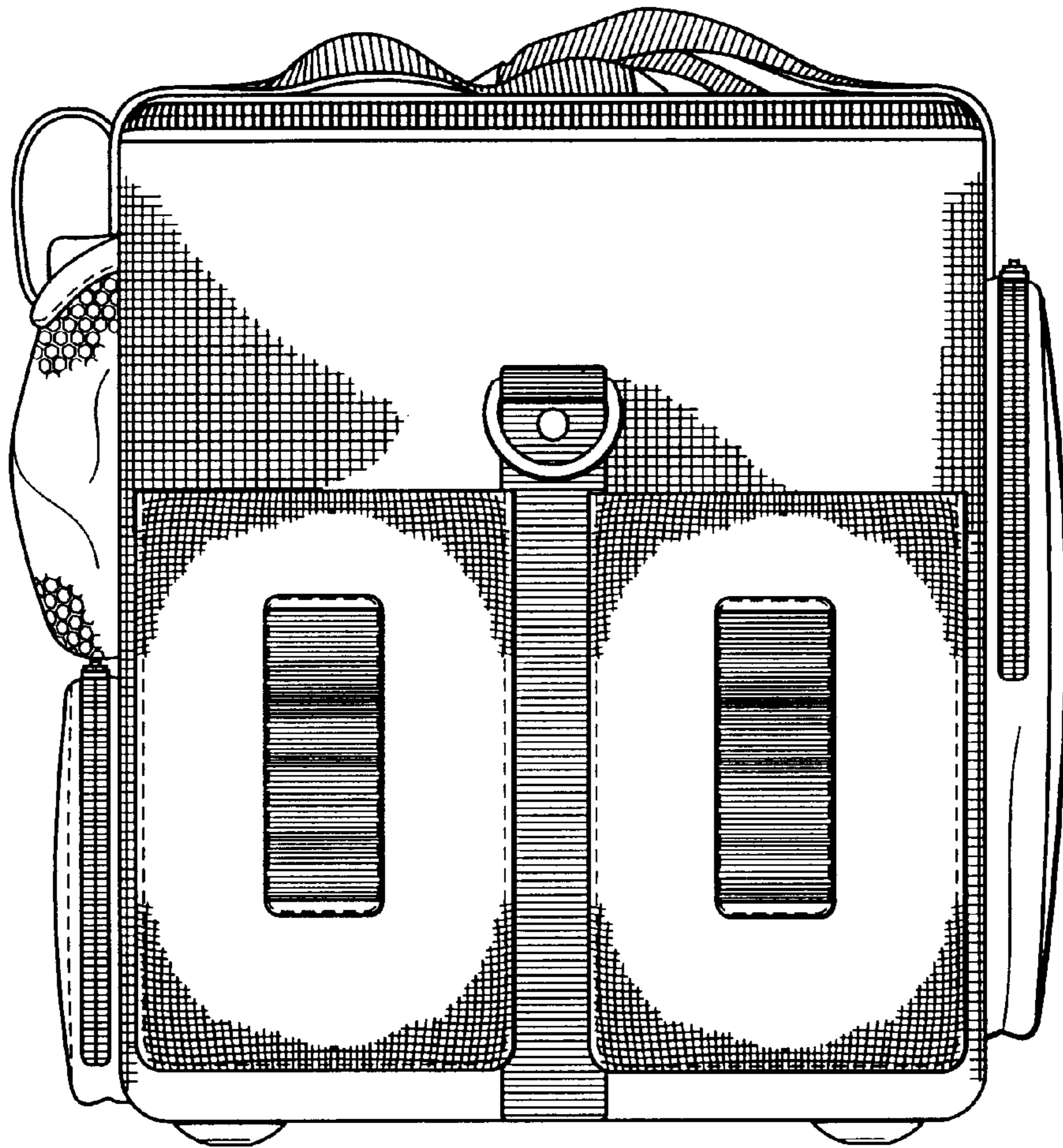


Fig. 7

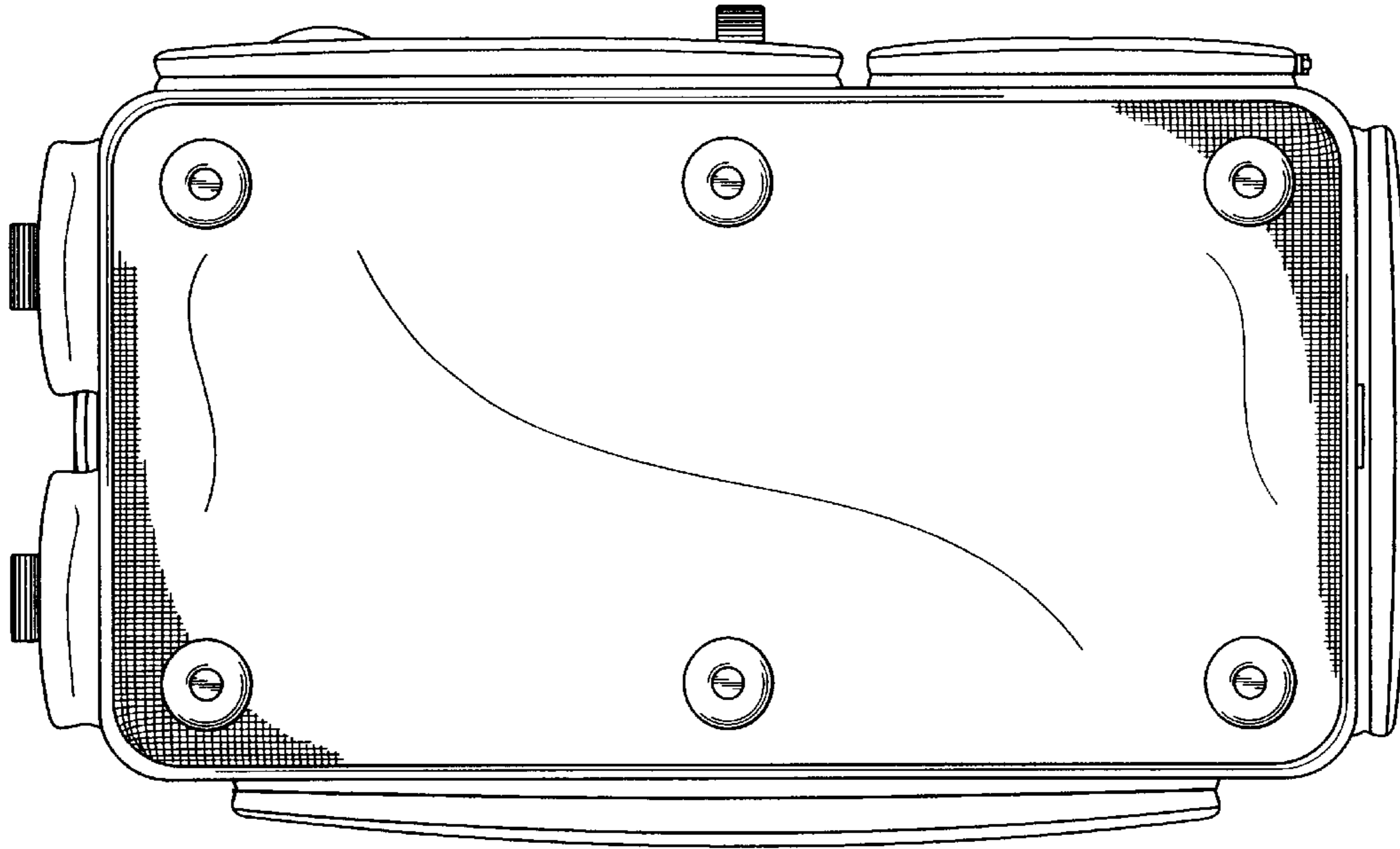


Fig. 8

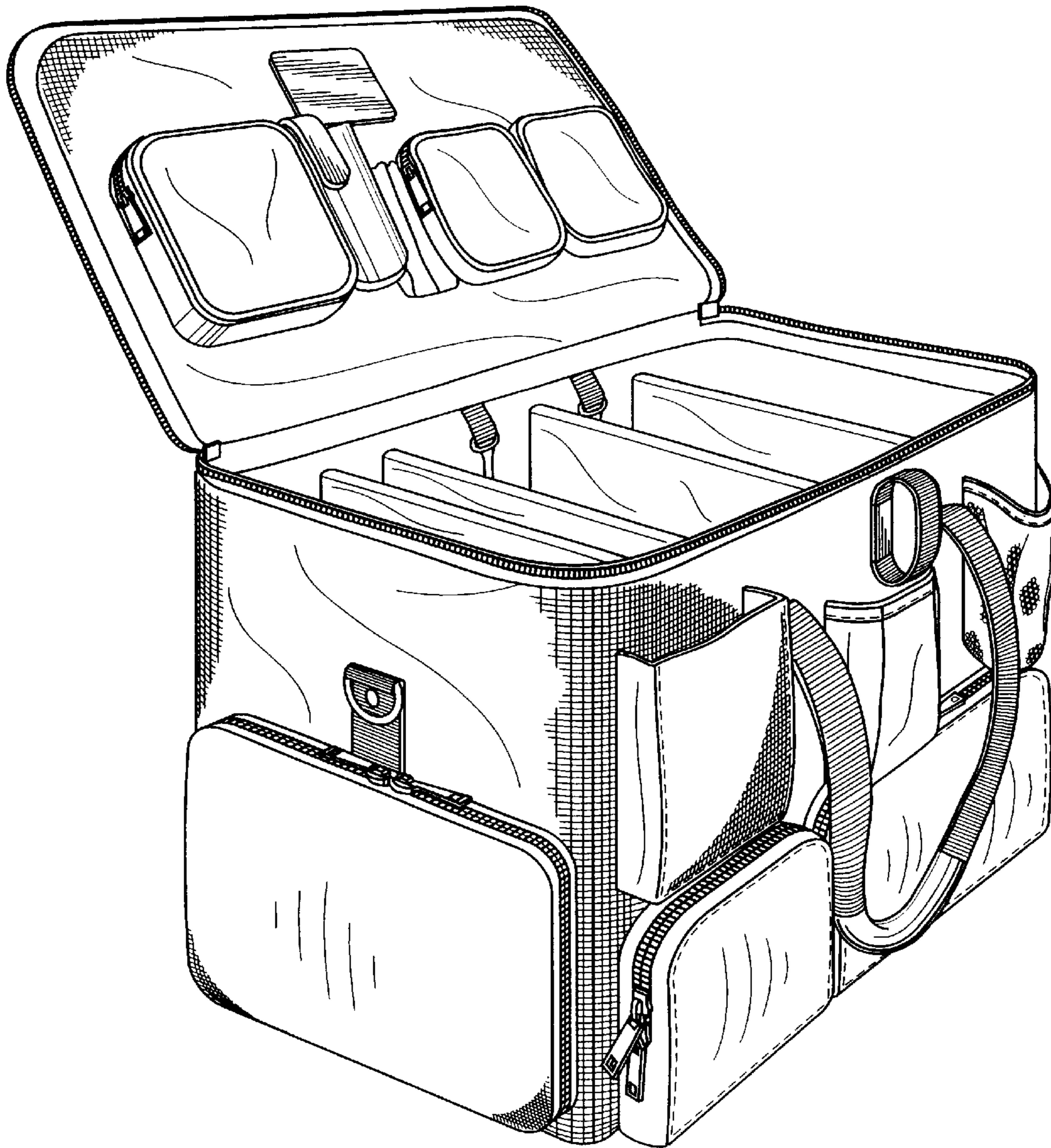


Fig. 9

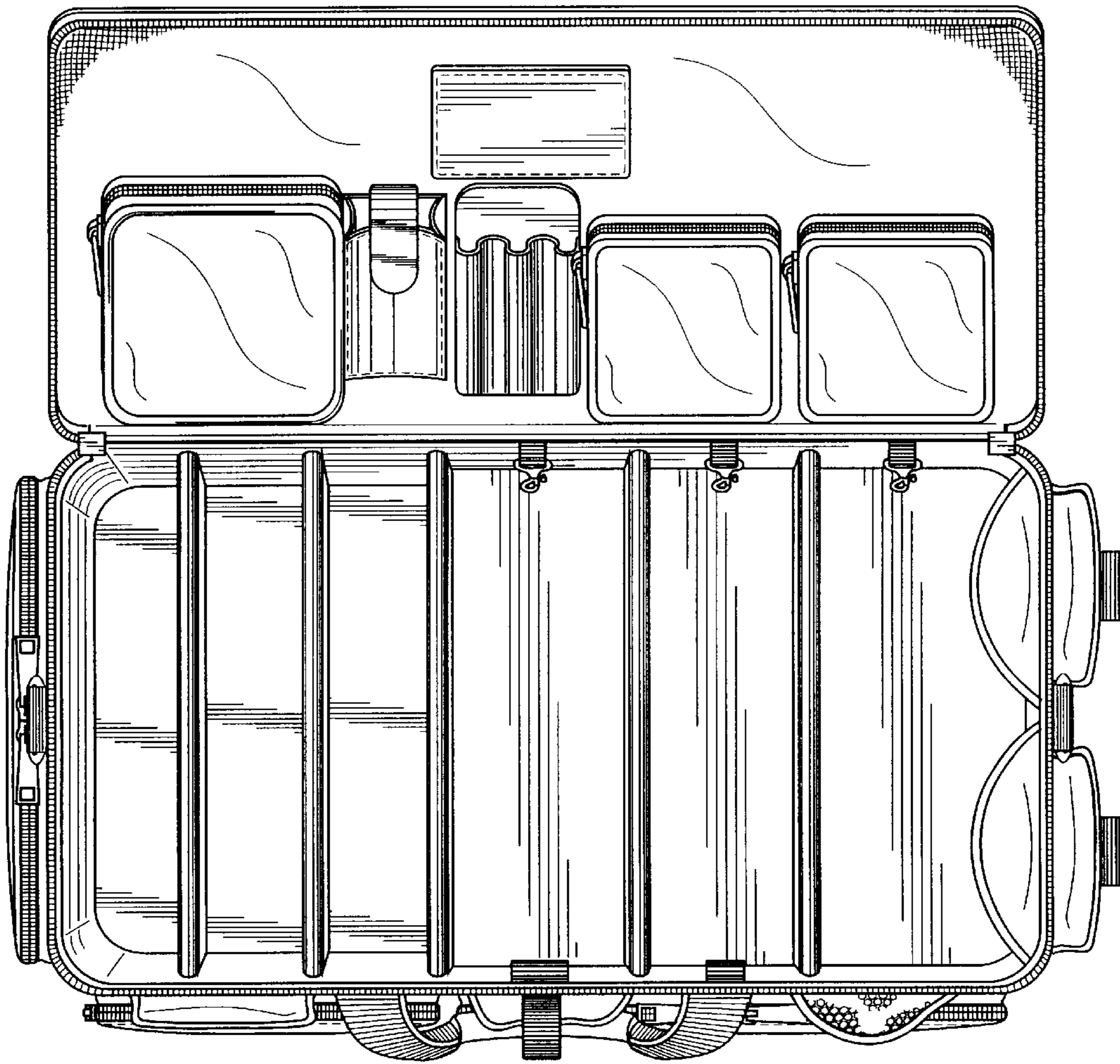


Fig. 10

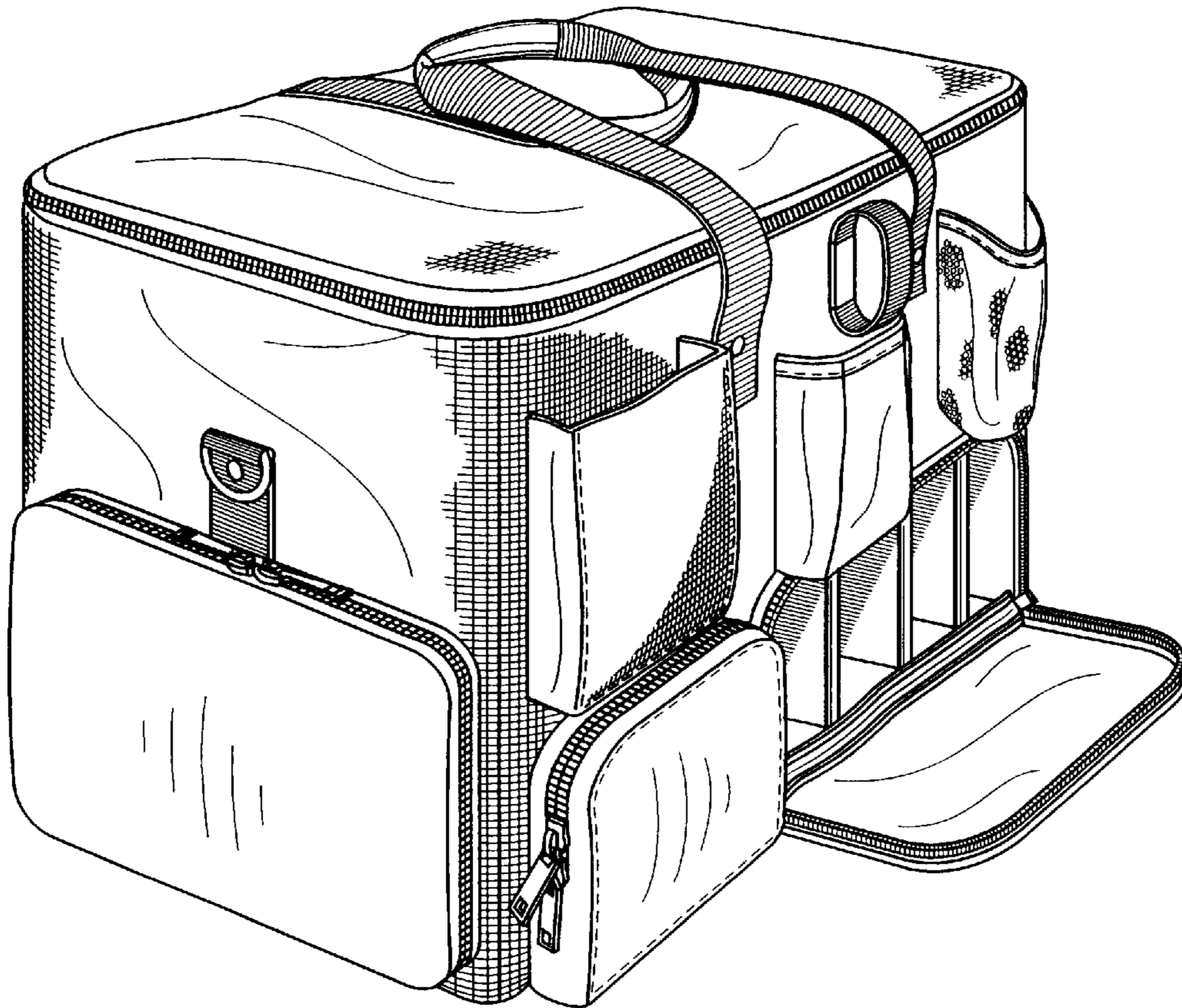


Fig. 11

