

US00D526480S

(12) **United States Design Patent**  
**Nuttall**

(10) **Patent No.:** **US D526,480 S**

(45) **Date of Patent:** **\*\* Aug. 15, 2006**

(54) **BUSINESS CARD HOLDER**

(75) Inventor: **Michael John Nuttall**, Portola Valley, CA (US)

(73) Assignee: **Thomas Direct Sales, Inc.**, Clifton, NJ (US)

(\*\*) Term: **14 Years**

(21) Appl. No.: **29/221,753**

(22) Filed: **Jan. 18, 2005**

(51) **LOC (8) Cl.** ..... **03-01**

(52) **U.S. Cl.** ..... **D3/247**

(58) **Field of Classification Search** ..... D3/247,  
D3/248, 249, 250, 251, 252, 253; 150/131,  
150/132, 136, 137, 140, 141, 142, 143, 145,  
150/146, 147, 148, 149, 150, 151, 152, 153;  
190/903; 206/37, 37.1, 37.4, 37.7, 38, 38.1,  
206/39.7, 214, 425, 810, 811; 220/260, 324,  
220/DIG. 12, DIG. 14

See application file for complete search history.

(56) **References Cited**

**U.S. PATENT DOCUMENTS**

2,508,951	A	*	5/1950	Kazimier	.....	220/DIG. 14
2,930,160	A	*	3/1960	Pohl	.....	206/37
4,799,604	A	*	1/1989	Okojima et al.	.....	220/260
5,318,810	A	*	6/1994	Nissel	.....	220/DIG. 14
5,645,167	A	*	7/1997	Conrad	.....	220/324
D439,042	S	*	3/2001	Lau	.....	D3/247

\* cited by examiner

*Primary Examiner*—Louis S. Zarfes

*Assistant Examiner*—Monica A. Weingart

(74) *Attorney, Agent, or Firm*—Carr & Ferrell LLP

(57) **CLAIM**

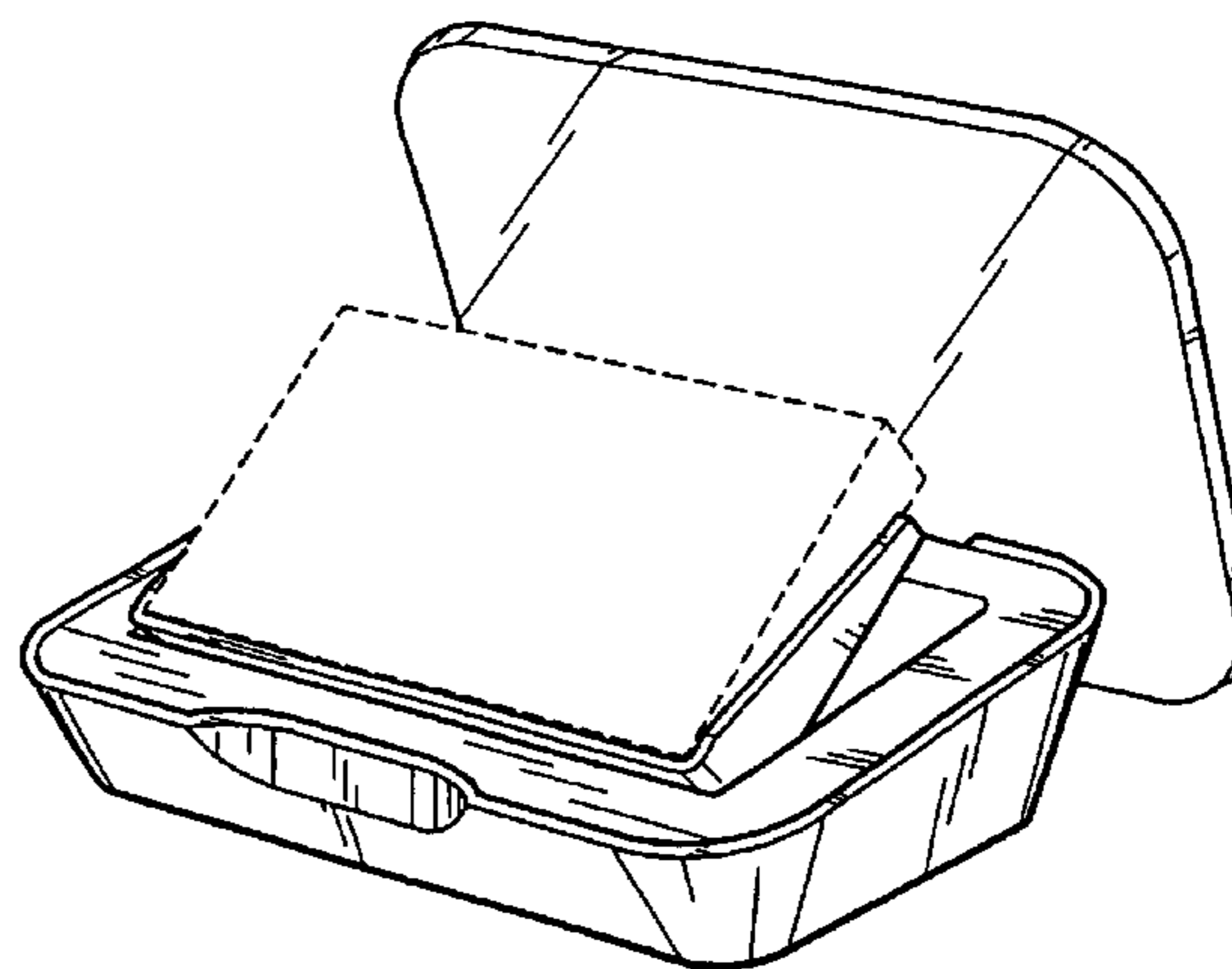
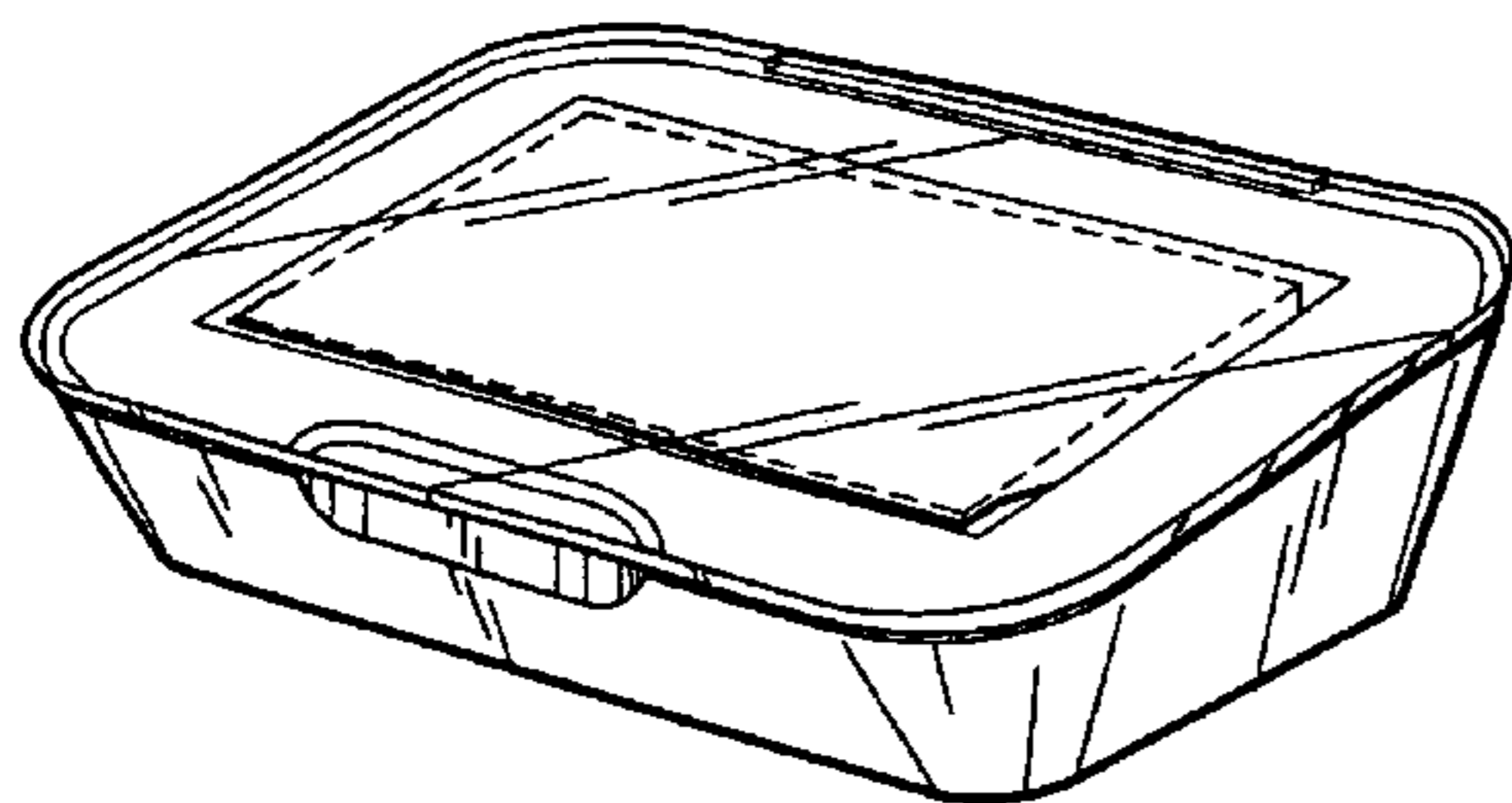
The ornamental design for a business card holder, as shown and described.

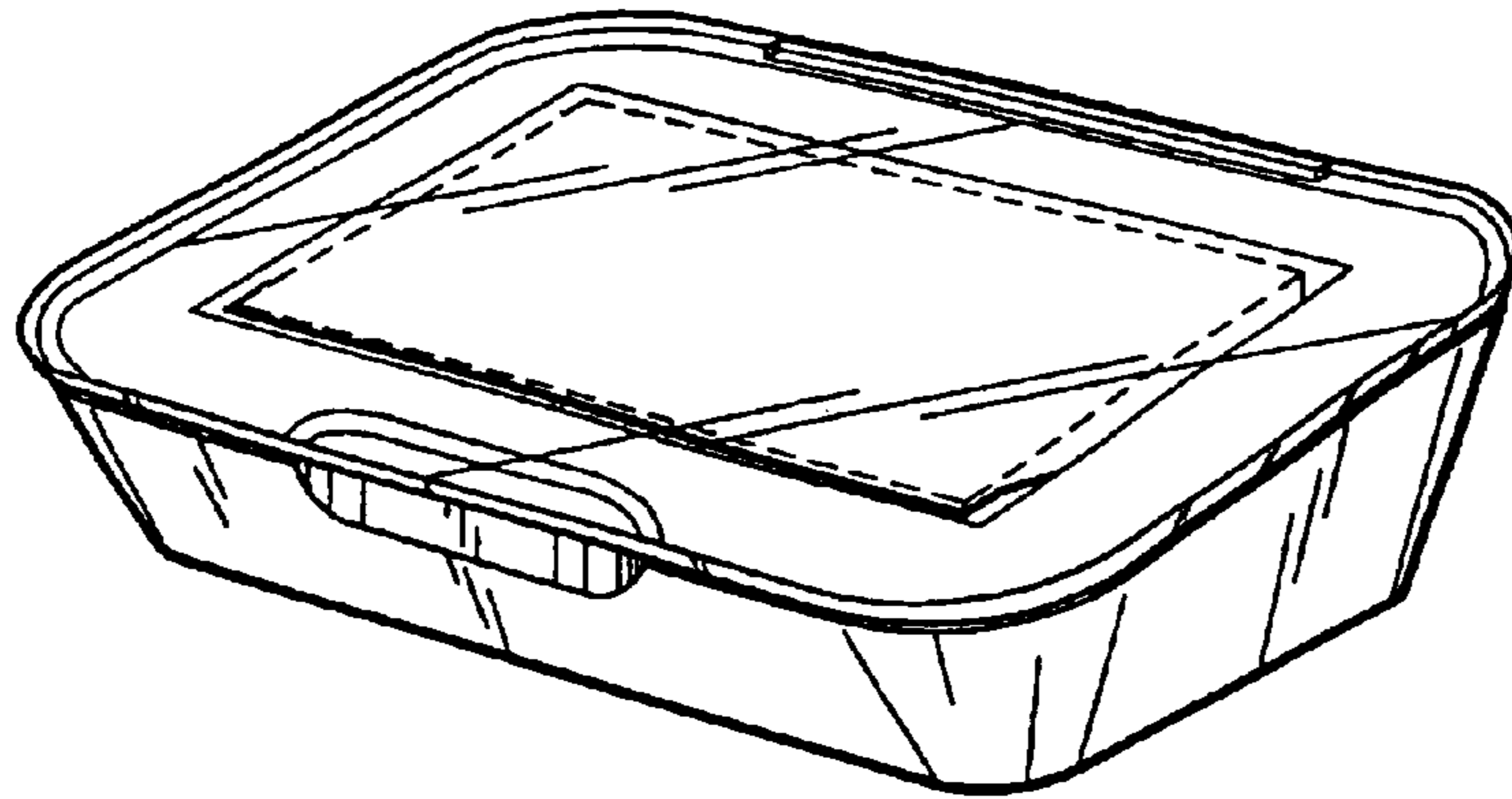
**DESCRIPTION**

FIG. 1 is a perspective view of the business card holder showing top, front, and right sides of our new design; FIG. 2 is a perspective view of the business card holder showing top, front, and rights sides of our new design, wherein a cover is in a raised position; FIG. 3 is a front view of the business card holder of FIG. 1; FIG. 4 is a front view of the business card holder of FIG. 2; FIG. 5 is a right side view of the business card holder of FIG. 1, the left side view being a mirror image; FIG. 6 is a right side view of the business card holder of FIG. 2, the left side view being a mirror image; FIG. 7 is a top view of the business card holder of FIG. 1; FIG. 8 is a top view of the business card holder of FIG. 2; FIG. 9 is a rear view of the business card holder of FIG. 1; FIG. 10 is a rear view of the business card holder of FIG. 2; FIG. 11 is a bottom view of the business card holder of FIG. 1; and, FIG. 12 is a bottom view of the business card holder of FIG. 2.

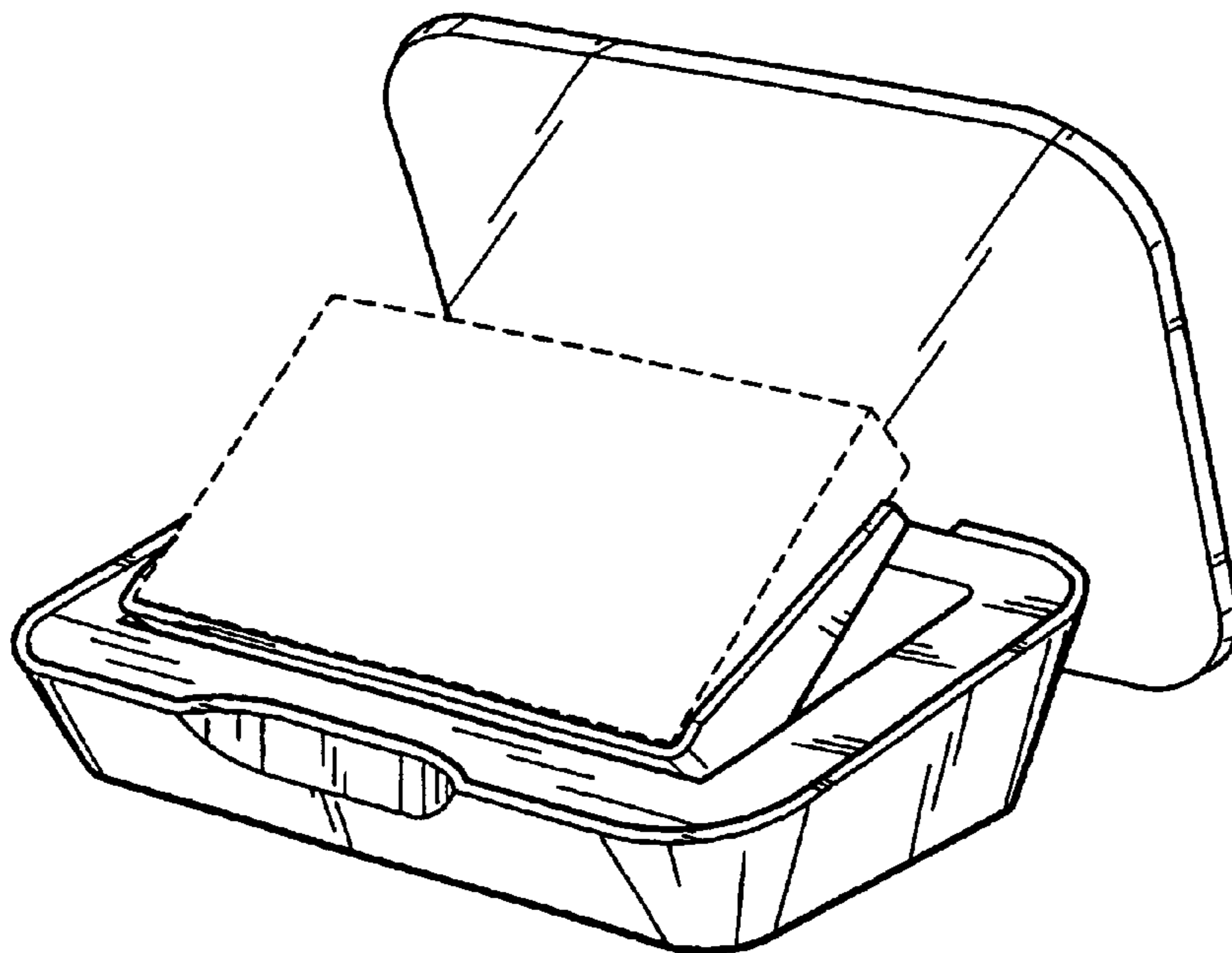
The broken line showing of cards, in the views, is for illustrative purposes only and forms no part of the claimed design.

**1 Claim, 5 Drawing Sheets**

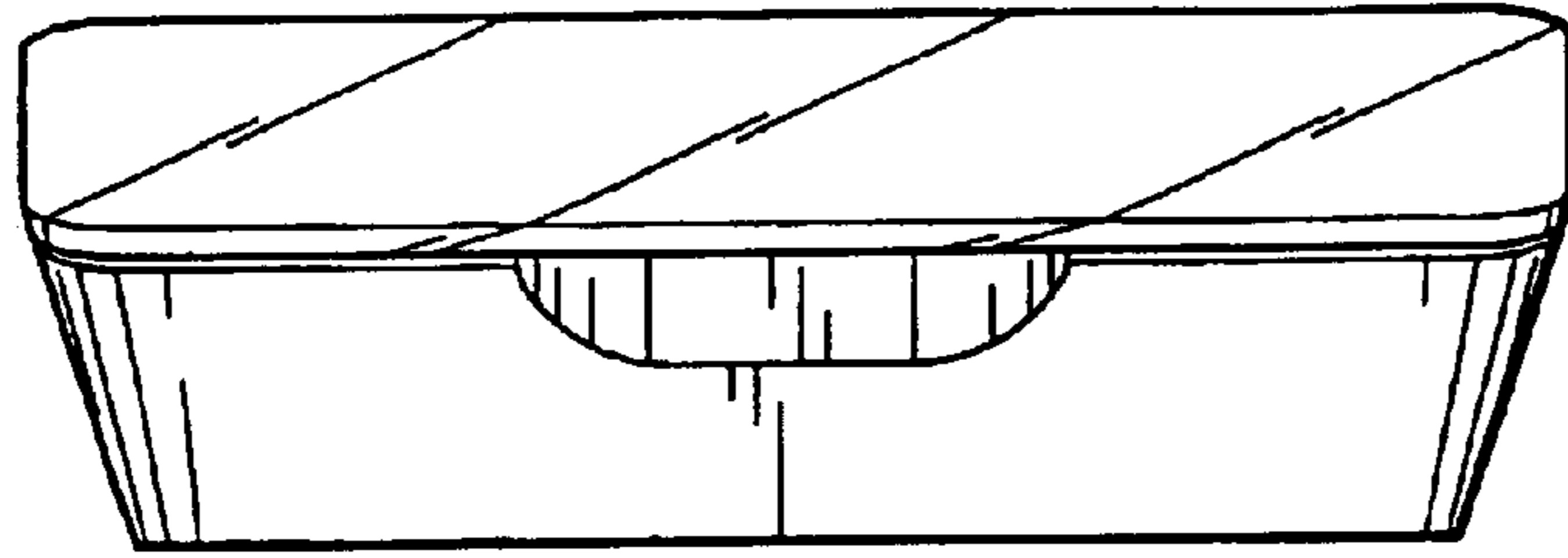




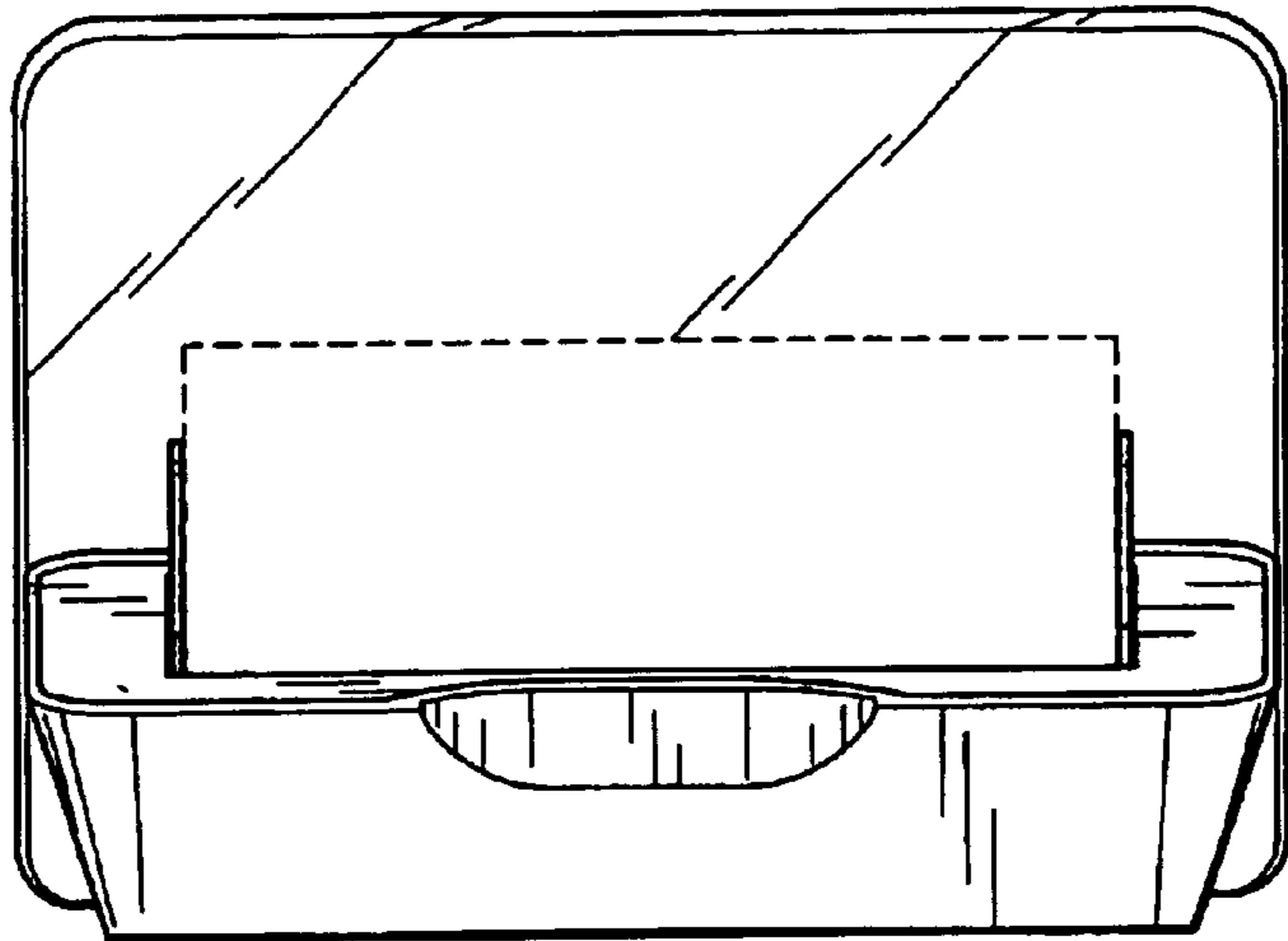
*FIG. 1*



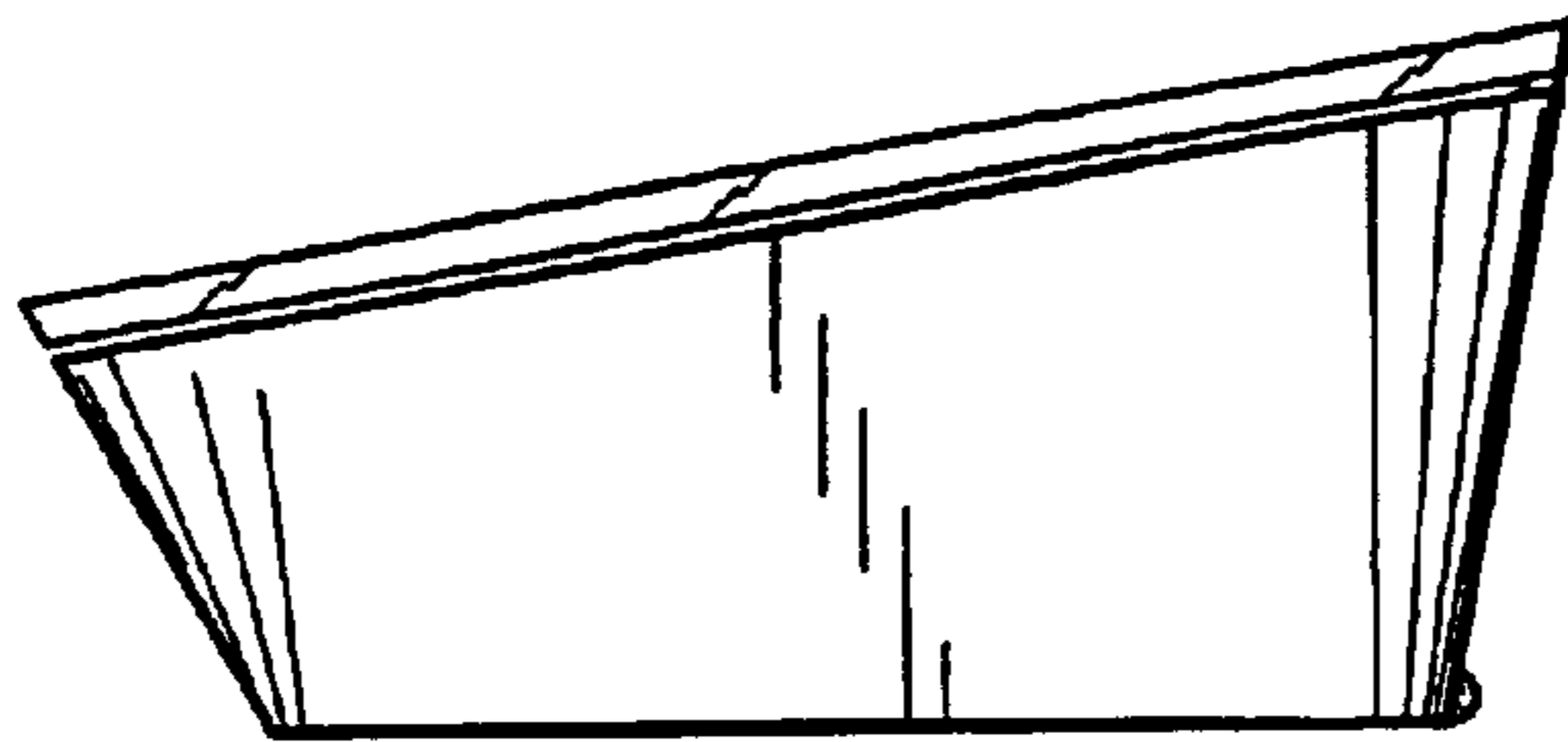
*FIG. 2*



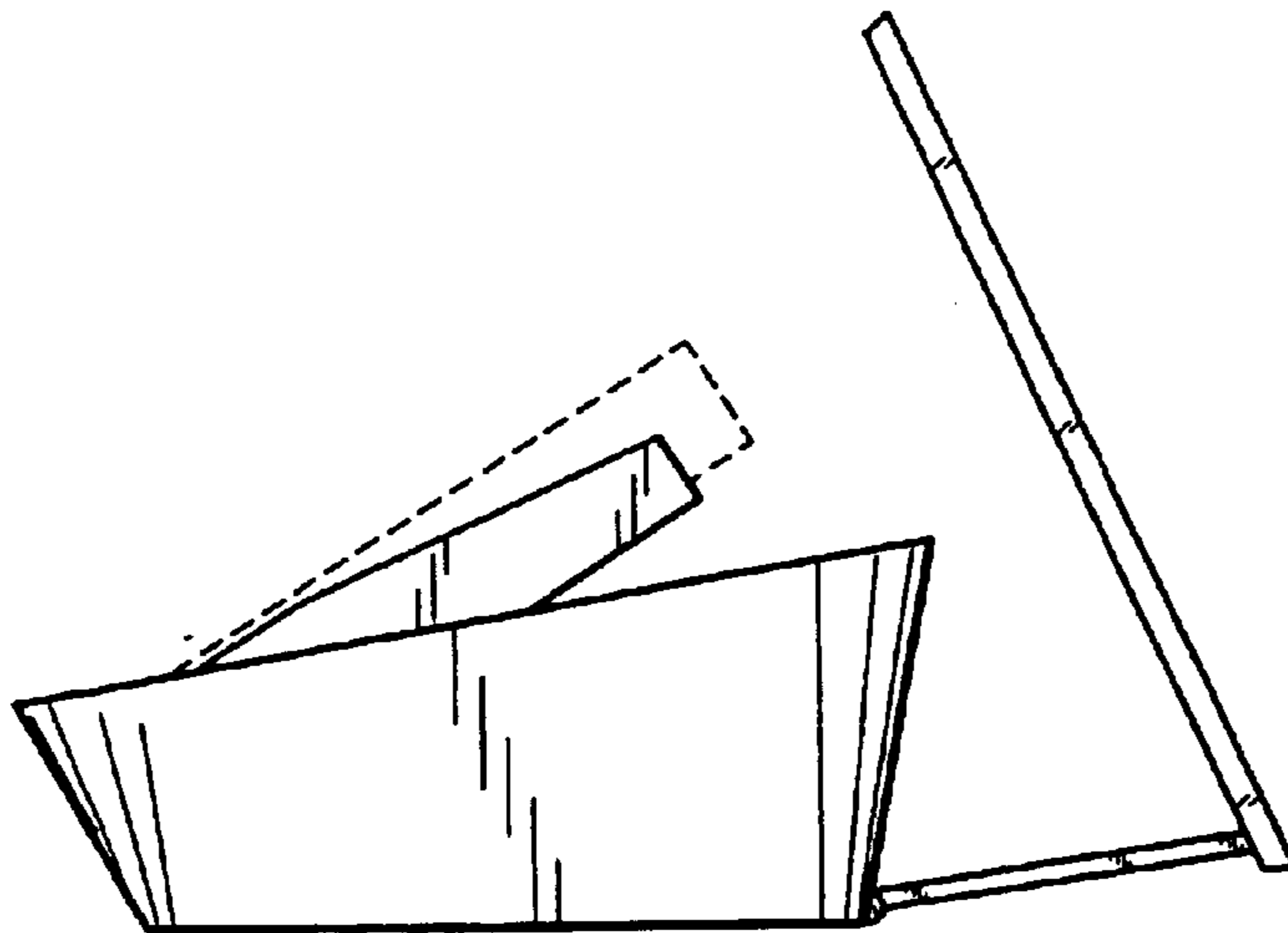
*FIG. 3*



*FIG. 4*

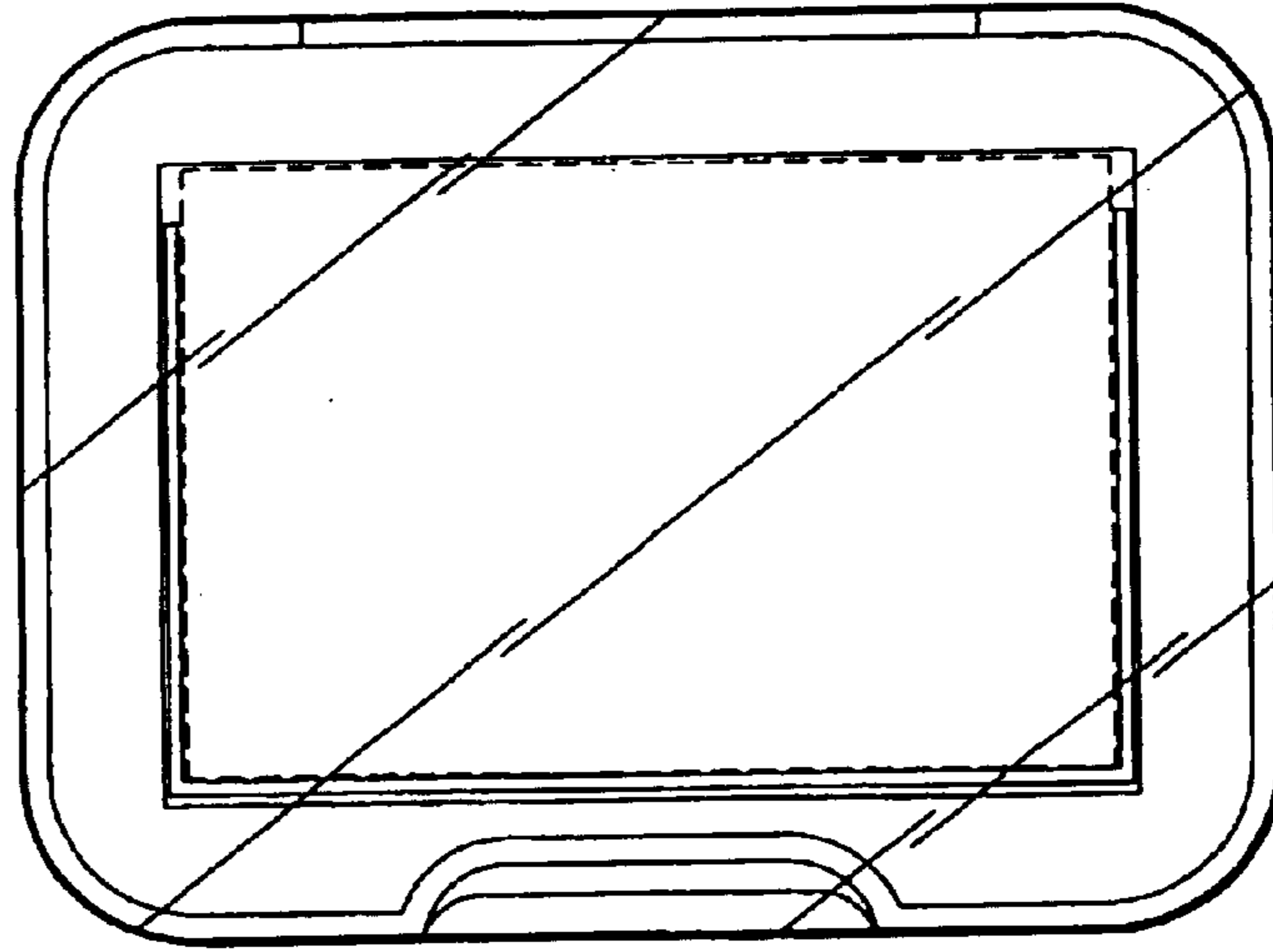


*FIG. 5*

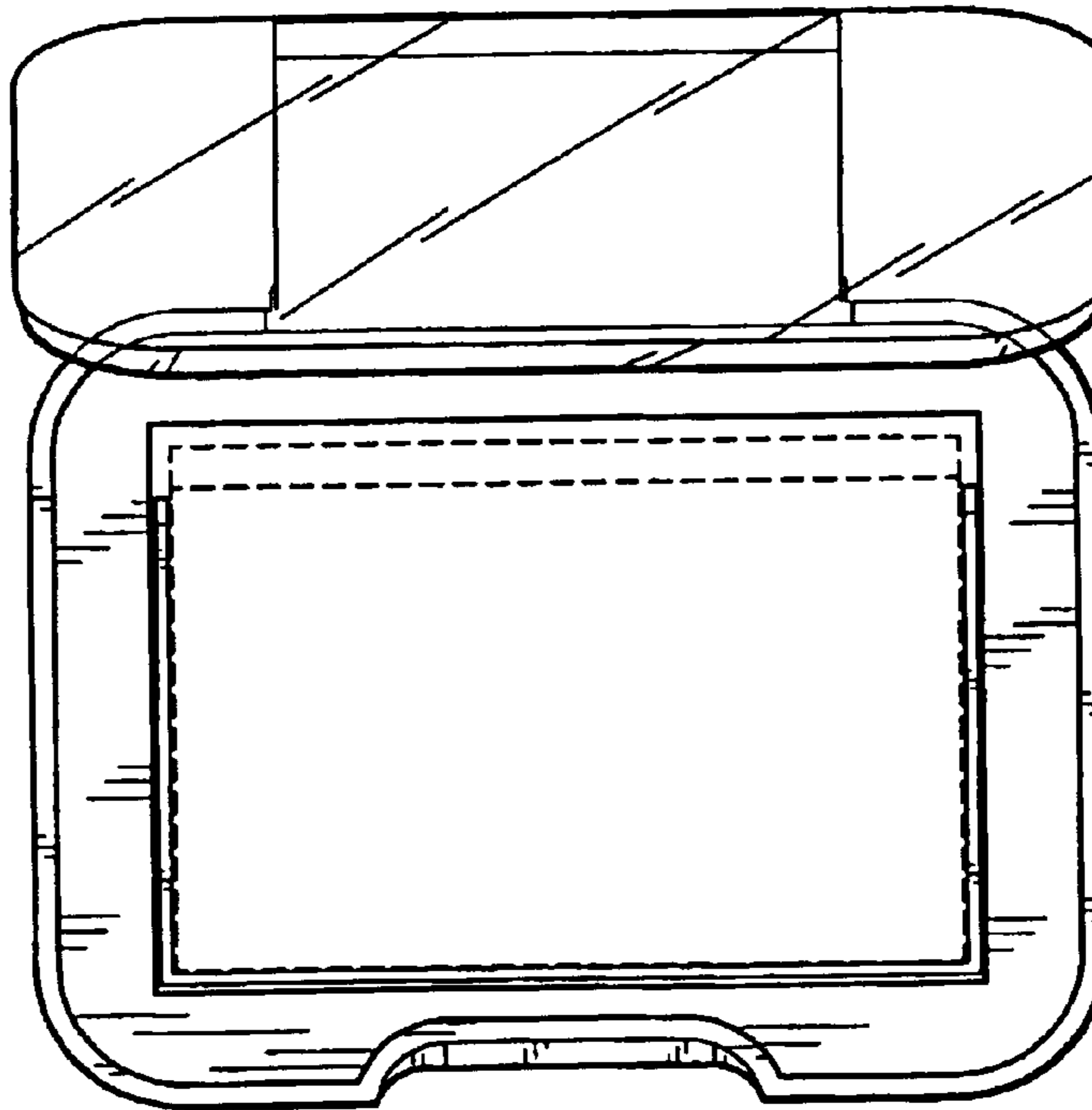


*FIG. 6*

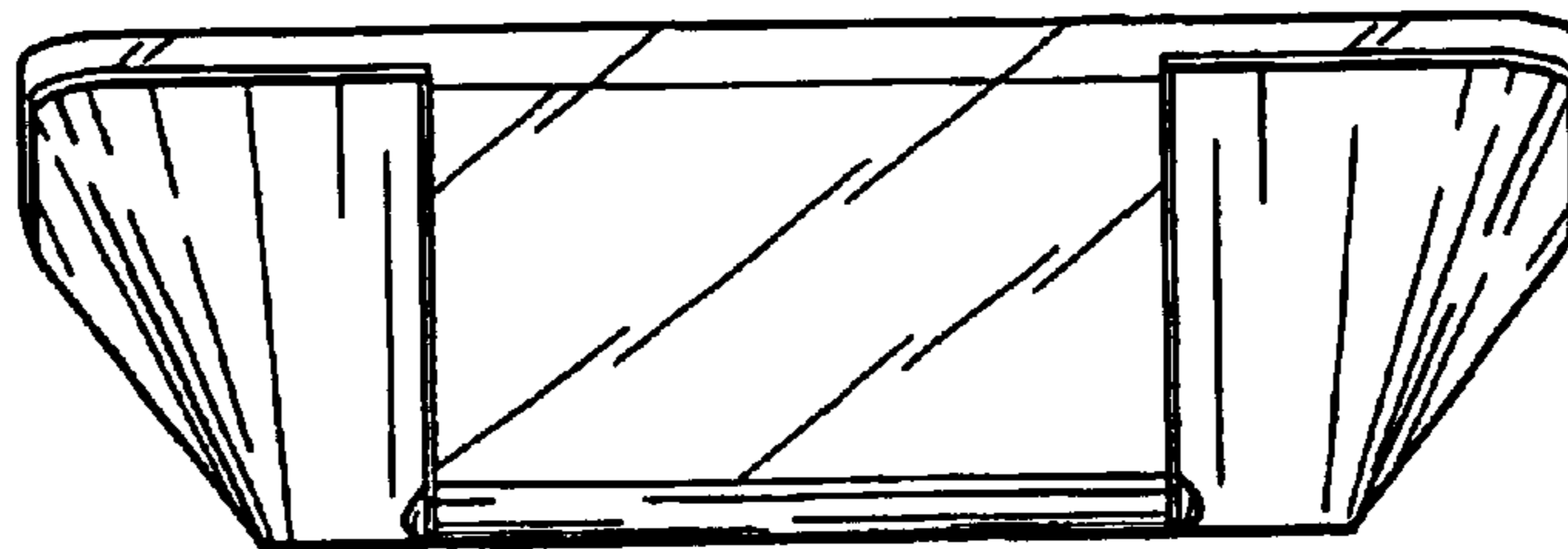
*FIG. 7*



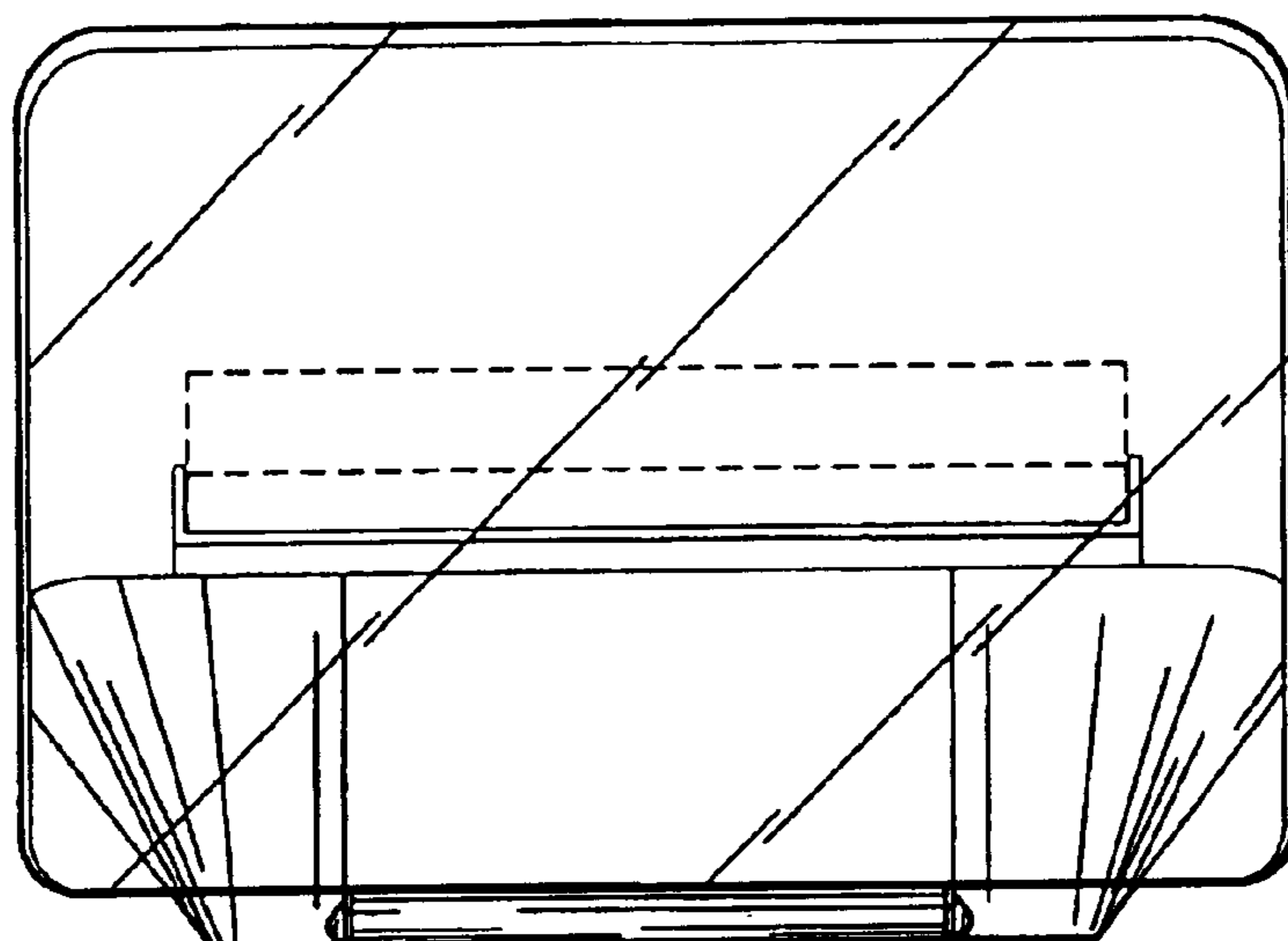
*FIG. 8*



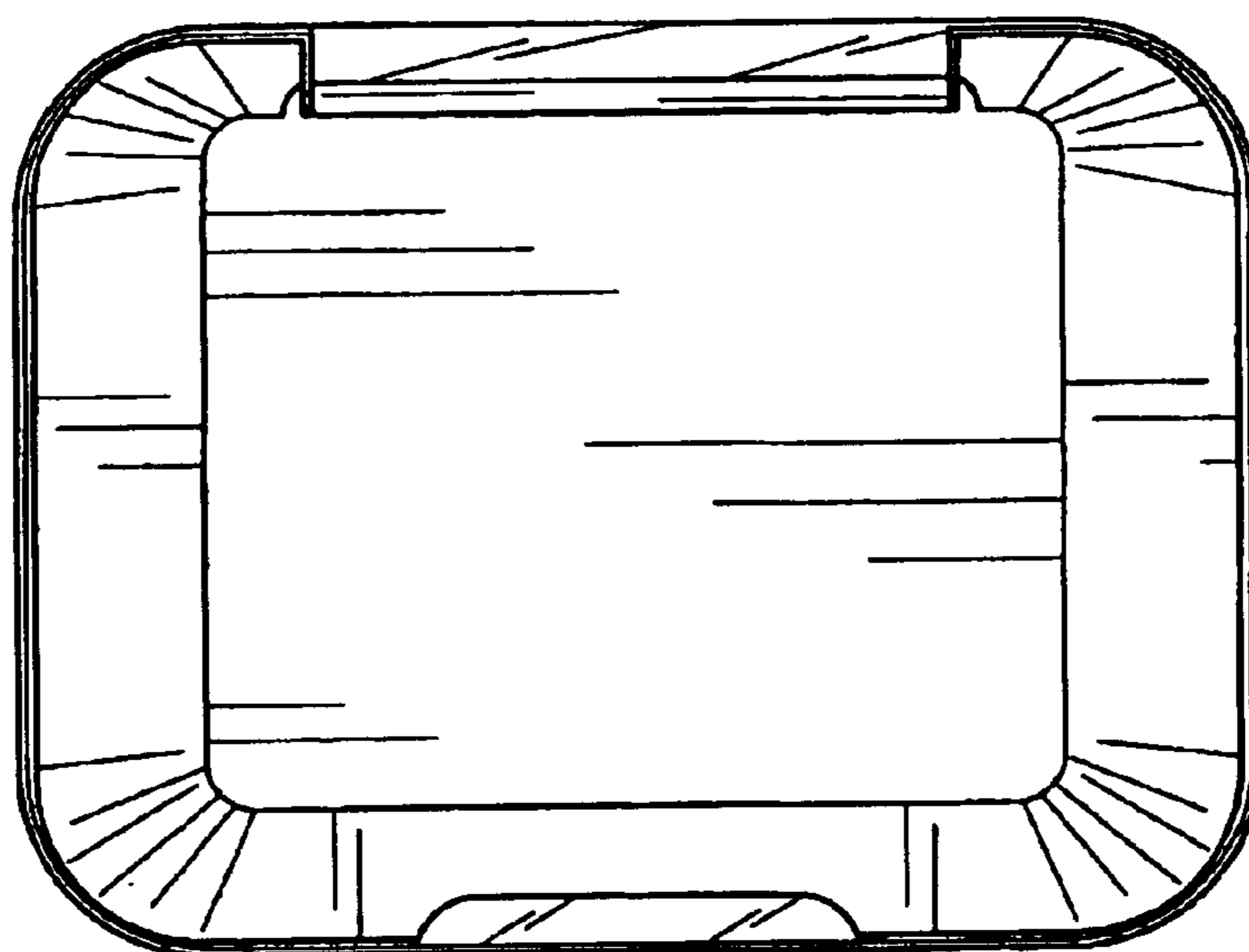
*FIG. 9*

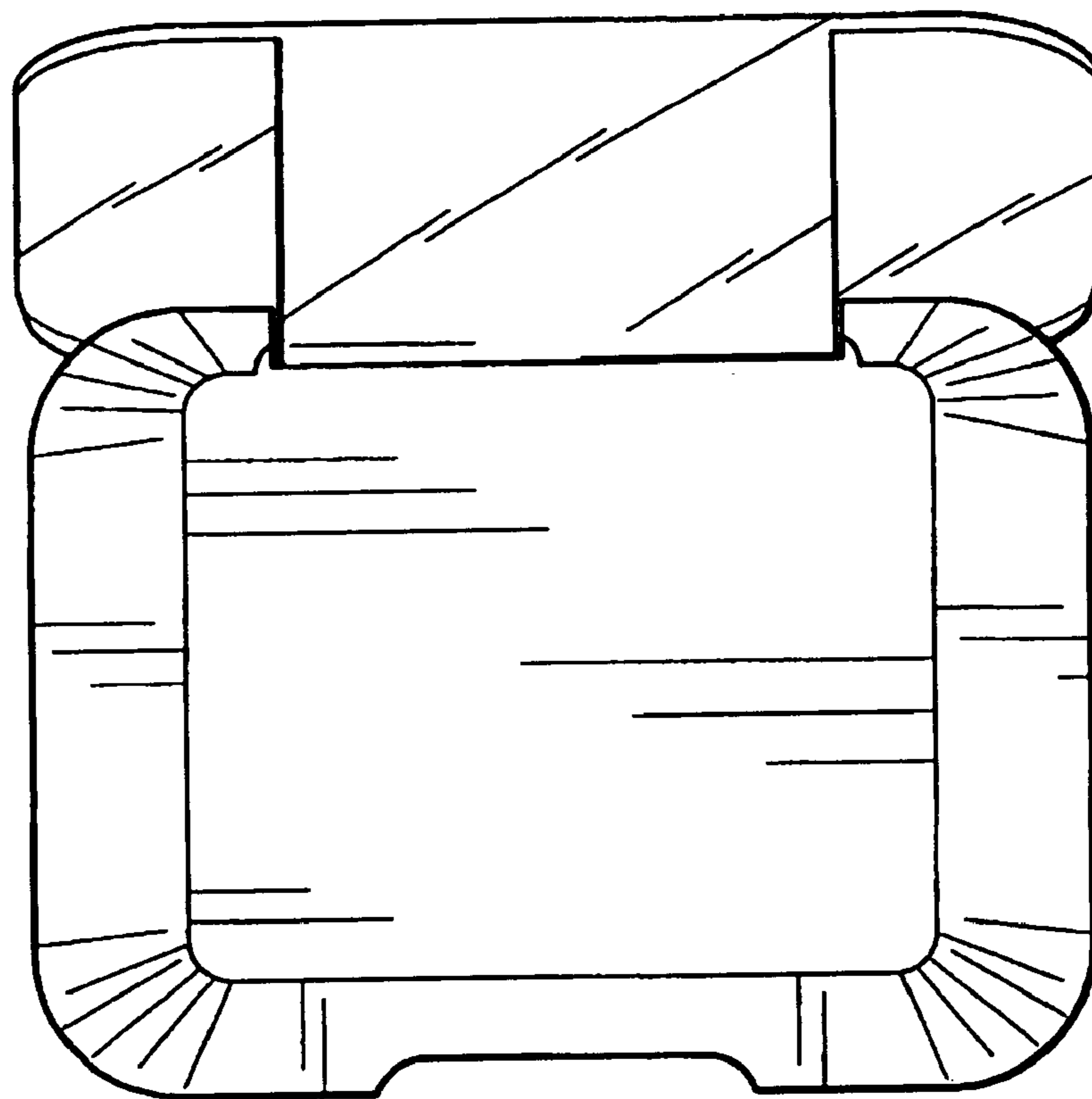


*FIG. 10*



*FIG. 11*





*FIG. 12*