

US00D526479S

(12) **United States Design Patent**  
**Brandenburg**

(10) **Patent No.:** **US D526,479 S**

(45) **Date of Patent:** **\*\* Aug. 15, 2006**

(54) **CASE FOR HOLDING A MUSIC PLAYER**

(76) **Inventor:** **Kyle Brandenburg**, 1915 Jefferson St.,  
Apt. D, Hollywood, FL (US) 33020

(\*\*) **Term:** **14 Years**

(21) **Appl. No.:** **29/198,255**

(22) **Filed:** **Jan. 27, 2004**

(51) **LOC (8) Cl.** ..... **03-01**

(52) **U.S. Cl.** ..... **D3/218**

(58) **Field of Classification Search** ..... D3/218,  
D3/215, 221, 224, 226; 224/219, 222, 267,  
224/666-667, 930

See application file for complete search history.

(56) **References Cited**

**U.S. PATENT DOCUMENTS**

D239,324 S	3/1976	Vong	.....	D14/189
D250,761 S	1/1979	Vong	.....	D14/168
4,135,653 A *	1/1979	Sieloff	.....	224/222
4,432,477 A *	2/1984	Haidt et al.	.....	224/222
5,511,702 A *	4/1996	Yang	.....	224/219

D472,373 S	4/2003	Hillman	.....	D14/218
2003/0019894 A1 *	1/2003	Caldana	.....	224/267
2004/0031830 A1 *	2/2004	Davis	.....	224/222
2004/0094584 A1 *	5/2004	Tabata	.....	224/221

\* cited by examiner

*Primary Examiner*—Catherine R. Oliver

(74) *Attorney, Agent, or Firm*—Patricia E. McQueeney;  
Kevin P. Crosby; Brinkley, McNerney, et al.

(57) **CLAIM**

The ornamental design for a case for holding a music player,  
as shown and described.

**DESCRIPTION**

FIG. 1 is a top plan view of a case for holding a music player  
showing my new design;

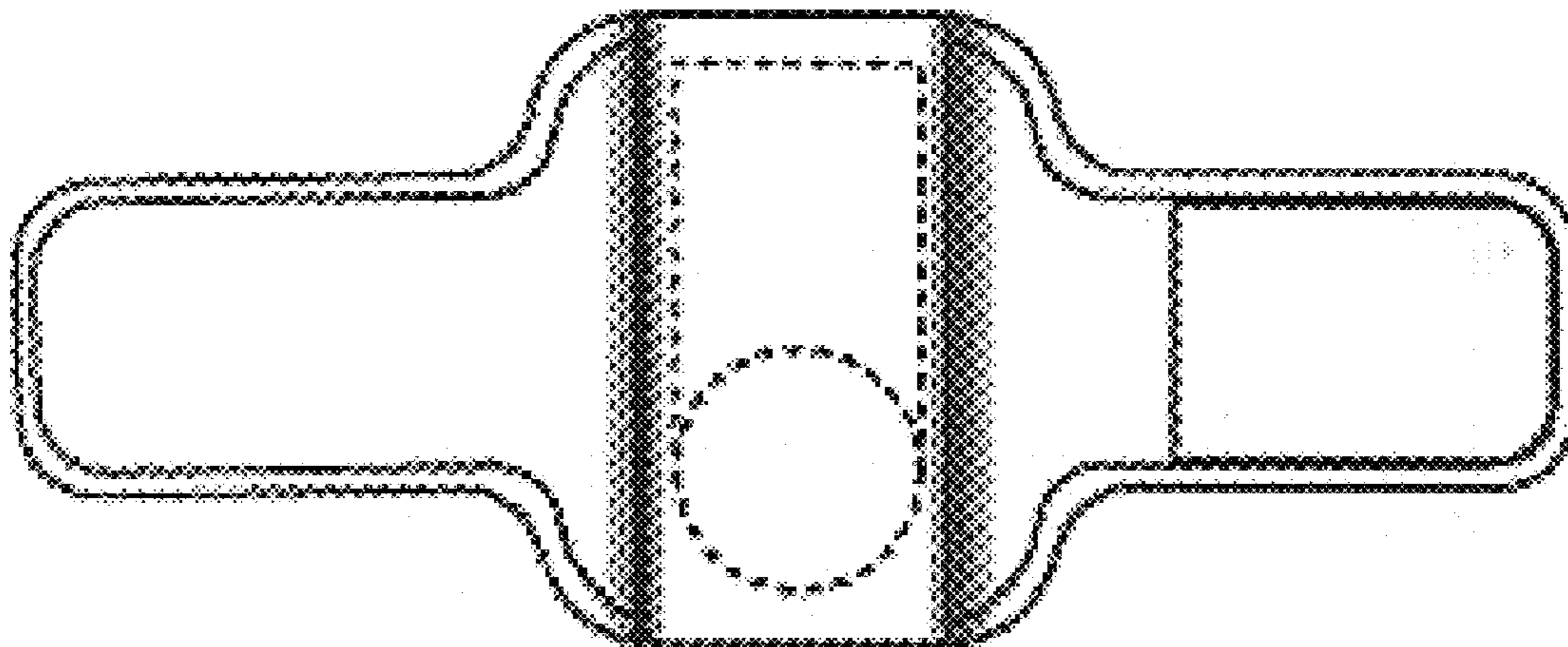
FIG. 2 is a front elevation view thereof;

FIG. 3 is a rear elevation view thereof; and,

FIG. 4 is a perspective view thereof.

The broken line showing of environment in FIG. 4 is for  
illustrative purposes only and forms no part of the claimed  
design.

**1 Claim, 1 Drawing Sheet**



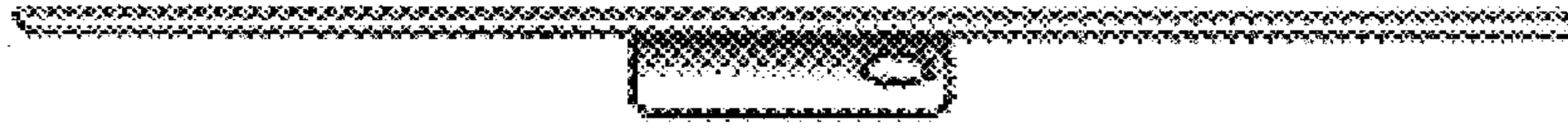


FIG 1

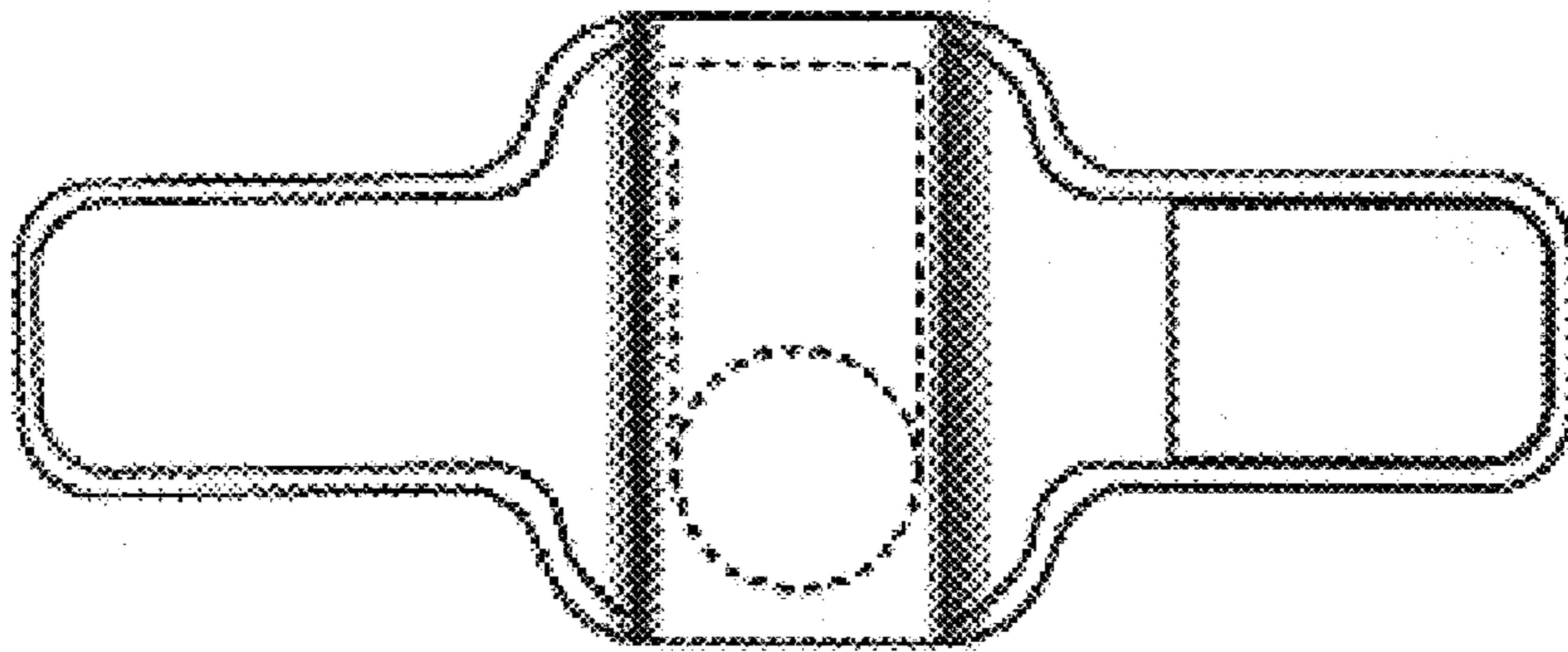


FIG 2

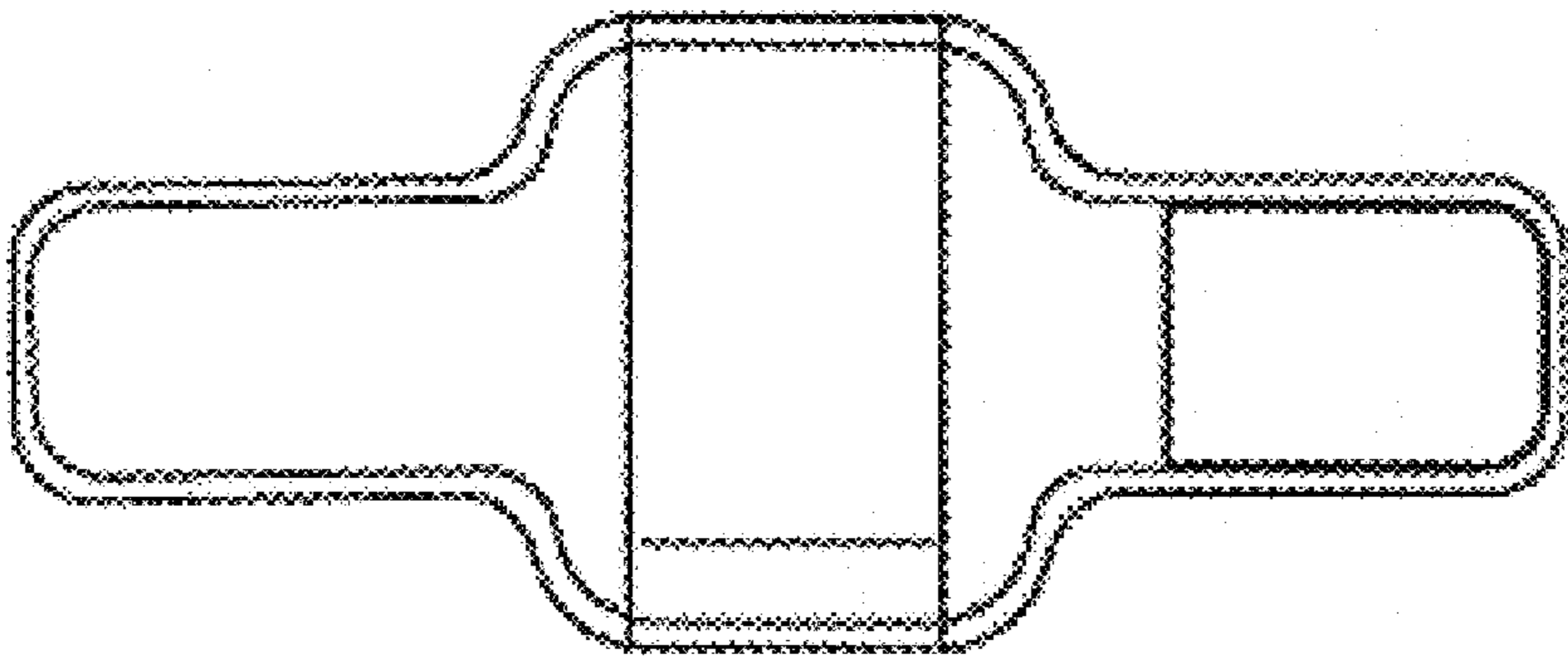


FIG 3

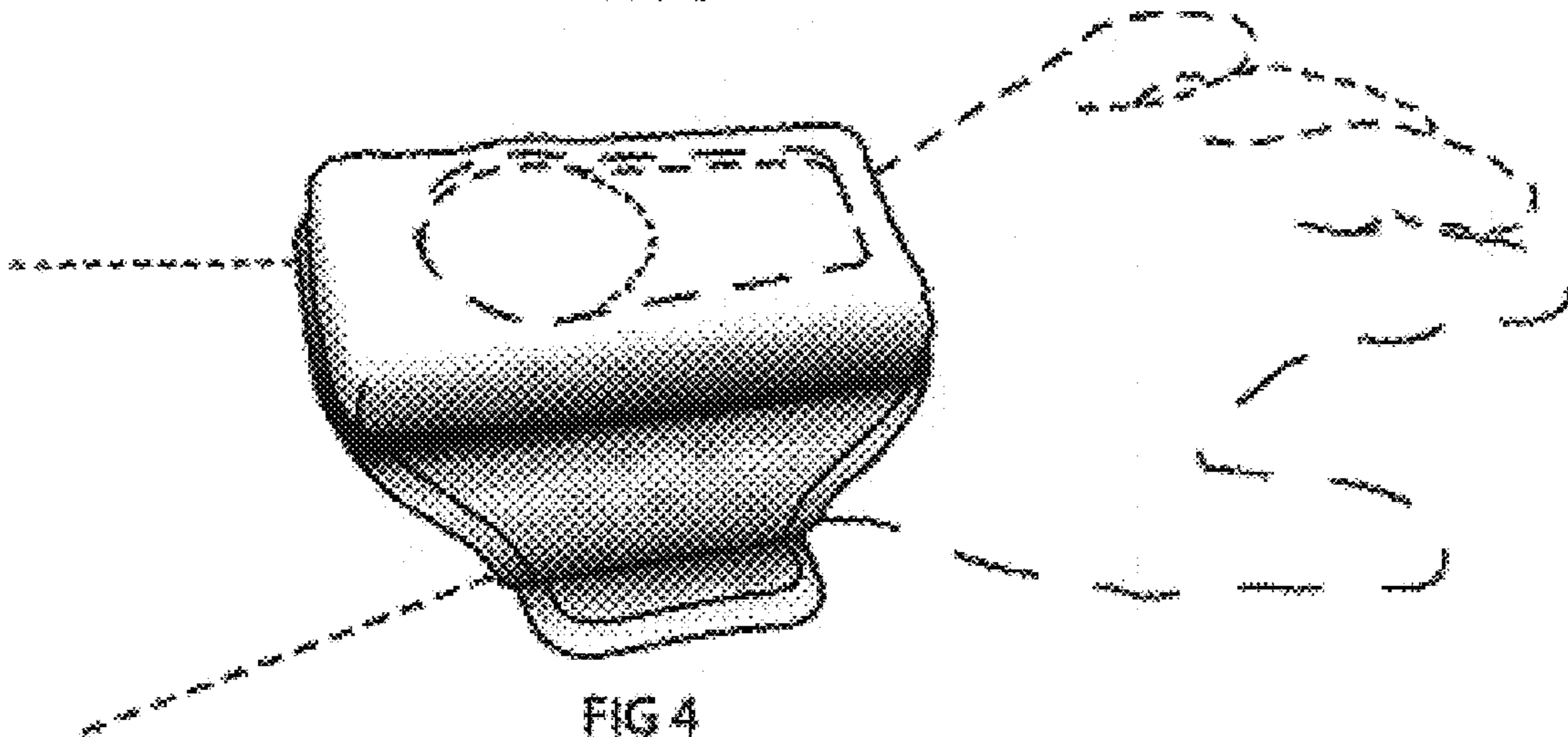


FIG 4