

US00D526473S

(12) **United States Design Patent**
Otterson

(10) **Patent No.:** **US D526,473 S**

(45) **Date of Patent:** **** Aug. 15, 2006**

(54) **CAP VISOR**

(76) Inventor: **Randy Otterson**, RR36, Truro, Nova Scotia (CA), B2N 2B4

(**) Term: **14 Years**

(21) Appl. No.: **29/209,882**

(22) Filed: **Jul. 23, 2004**

(51) **LOC (8) Cl.** **02-03**

(52) **U.S. Cl.** **D2/891**; D16/309; D16/330

(58) **Field of Classification Search** D2/865,
D2/866, 868, 869, 872, 873, 876, 879, 882,
D2/893; 2/410, 6.3, 6.4, 6.7, 418, 422, 15,
2/10, 12, 175.6, 195.6, 426; D16/100, 300,
D16/301, 310, 340, 900, 309; D29/104, 105,
D29/100, 107, 109; 351/155

See application file for complete search history.

(56) **References Cited**

U.S. PATENT DOCUMENTS

2,179,719	A	*	11/1939	Goskey	2/10
2,560,669	A	*	7/1951	Vaca	2/10
2,638,593	A	*	5/1953	Eloranta	2/12
2,717,385	A	*	9/1955	Linster	2/10
4,393,519	A	*	7/1983	Nicastro	2/12
D306,512	S	*	3/1990	Thomas et al.	D2/866

5,129,102	A	*	7/1992	Solo	2/10
D329,444	S	*	9/1992	Rauch	D29/109
D349,389	S	*	8/1994	Phillips	D2/893
5,422,686	A	*	6/1995	Kelman et al.	351/155
5,901,371	A	*	5/1999	Lee	2/10
6,173,447	B1	*	1/2001	Arnold	2/10
6,662,371	B1	*	12/2003	Shin	2/10

* cited by examiner

Primary Examiner—Robert M. Spear

Assistant Examiner—Mary Ann Calabrese

(74) *Attorney, Agent, or Firm*—Palmer C. DeMeo

(57) **CLAIM**

I claim the ornamental design for a cap visor, as shown and described.

DESCRIPTION

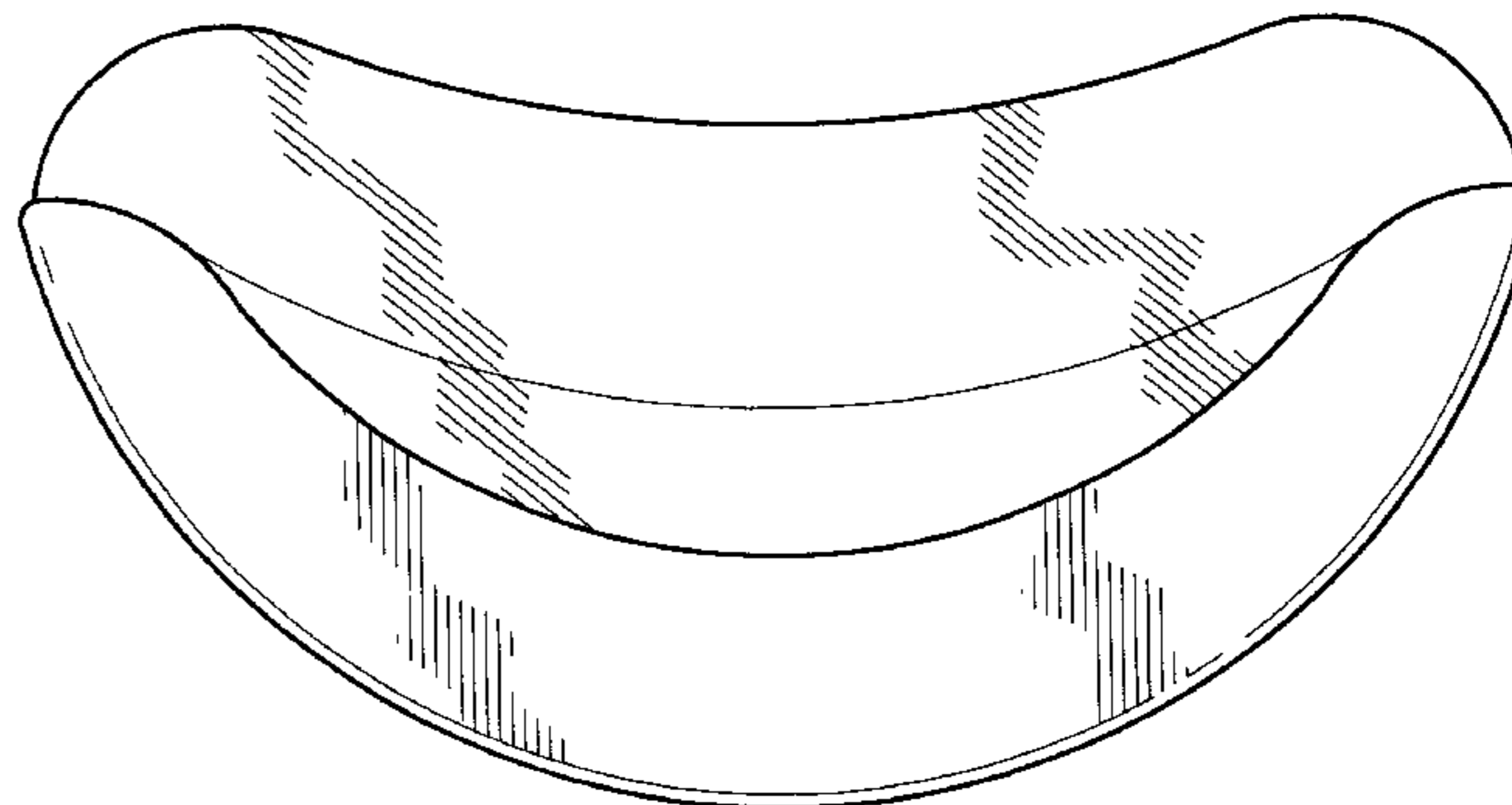
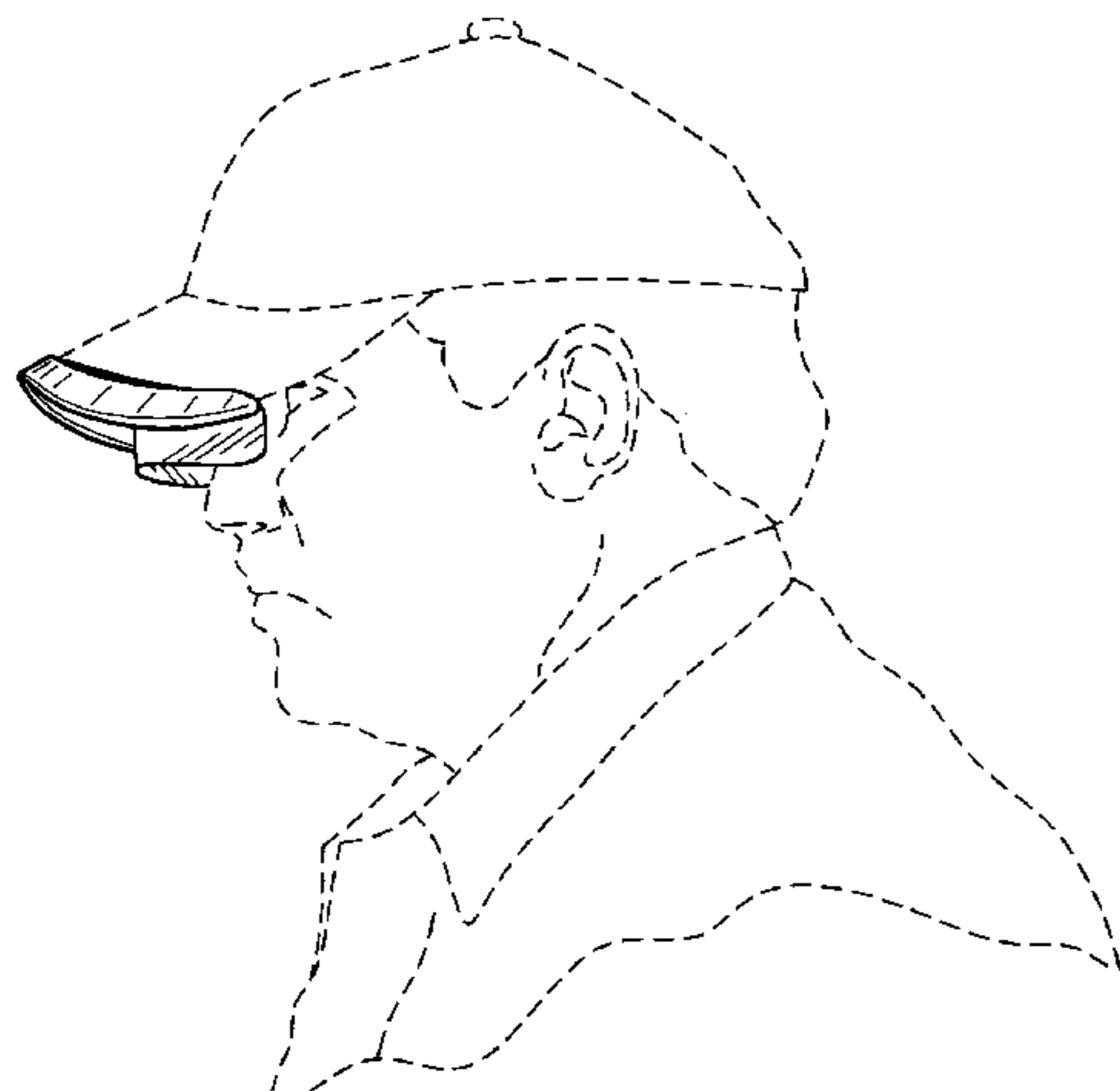
FIG. 1 is a perspective view of my cap visor showing a holder and a visor in a deployed position.

FIG. 2 is another perspective view of the cap visor shown in FIG. 1; and,

FIG. 3 is a top plan view of my cap visor showing the holder and the visor in an undeployed position.

The broken lines for the cap shown in FIGS. 1 and 2 are for illustrated purposes only and form no part of the claimed design.

1 Claim, 2 Drawing Sheets



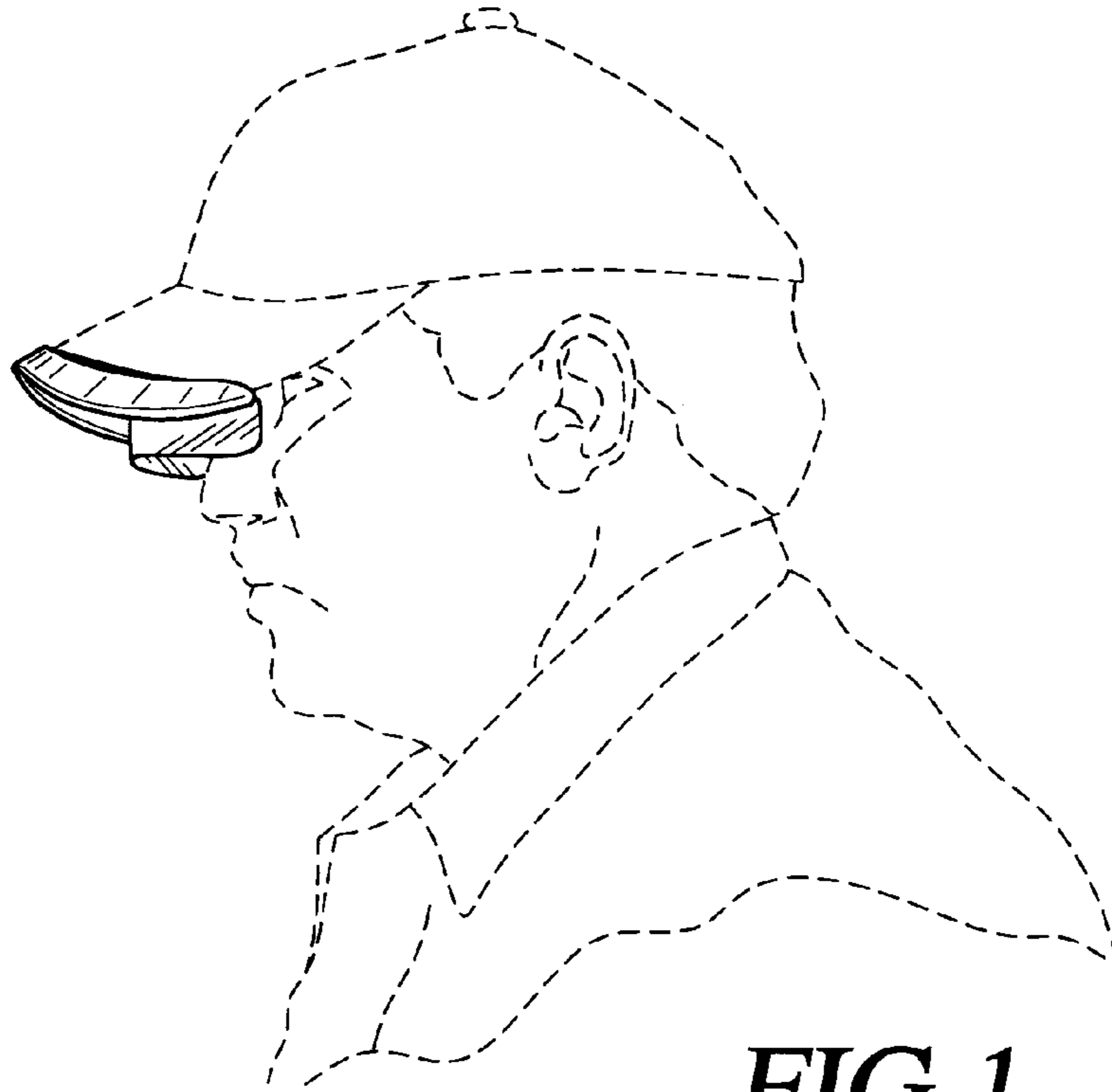


FIG. 1

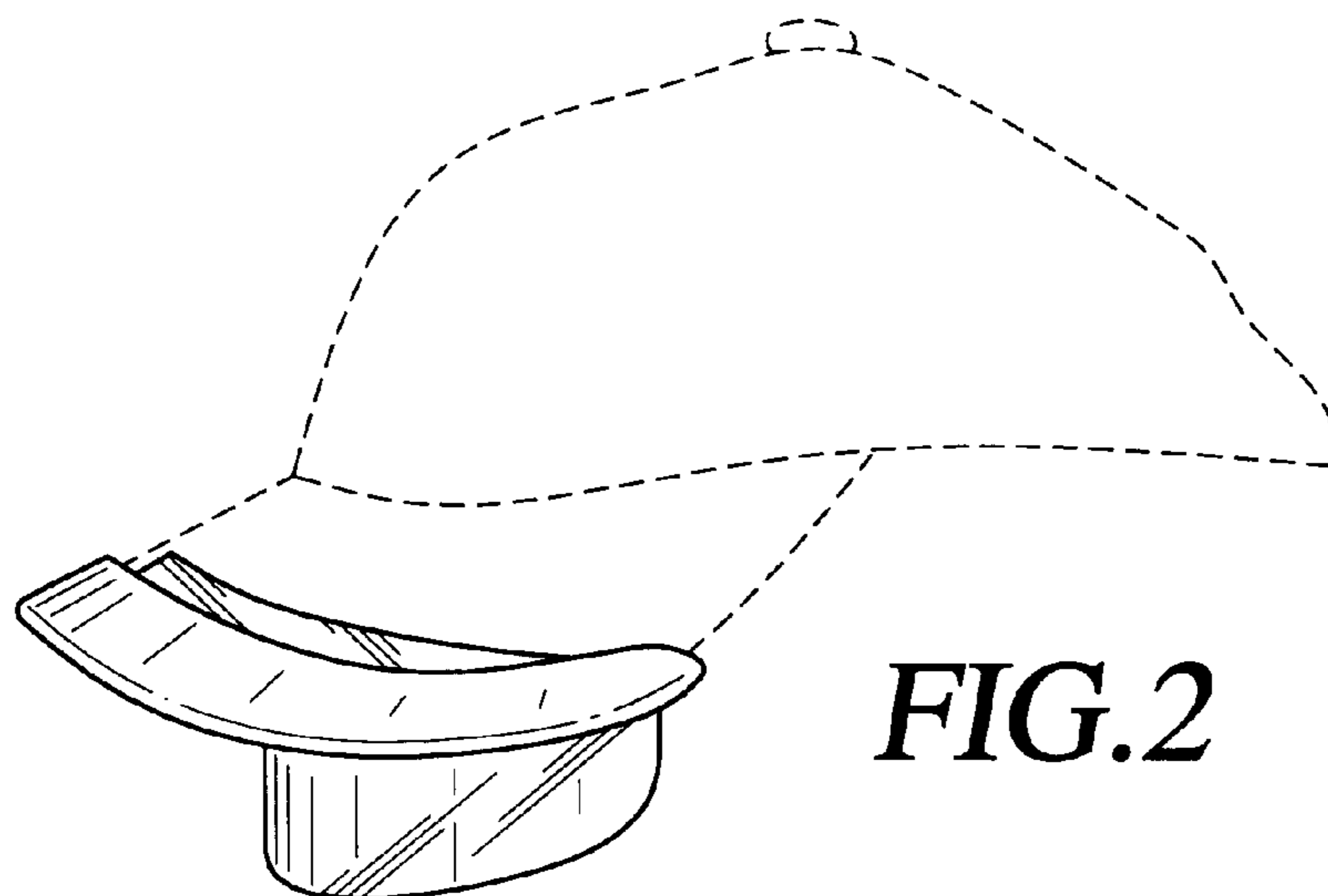


FIG. 2

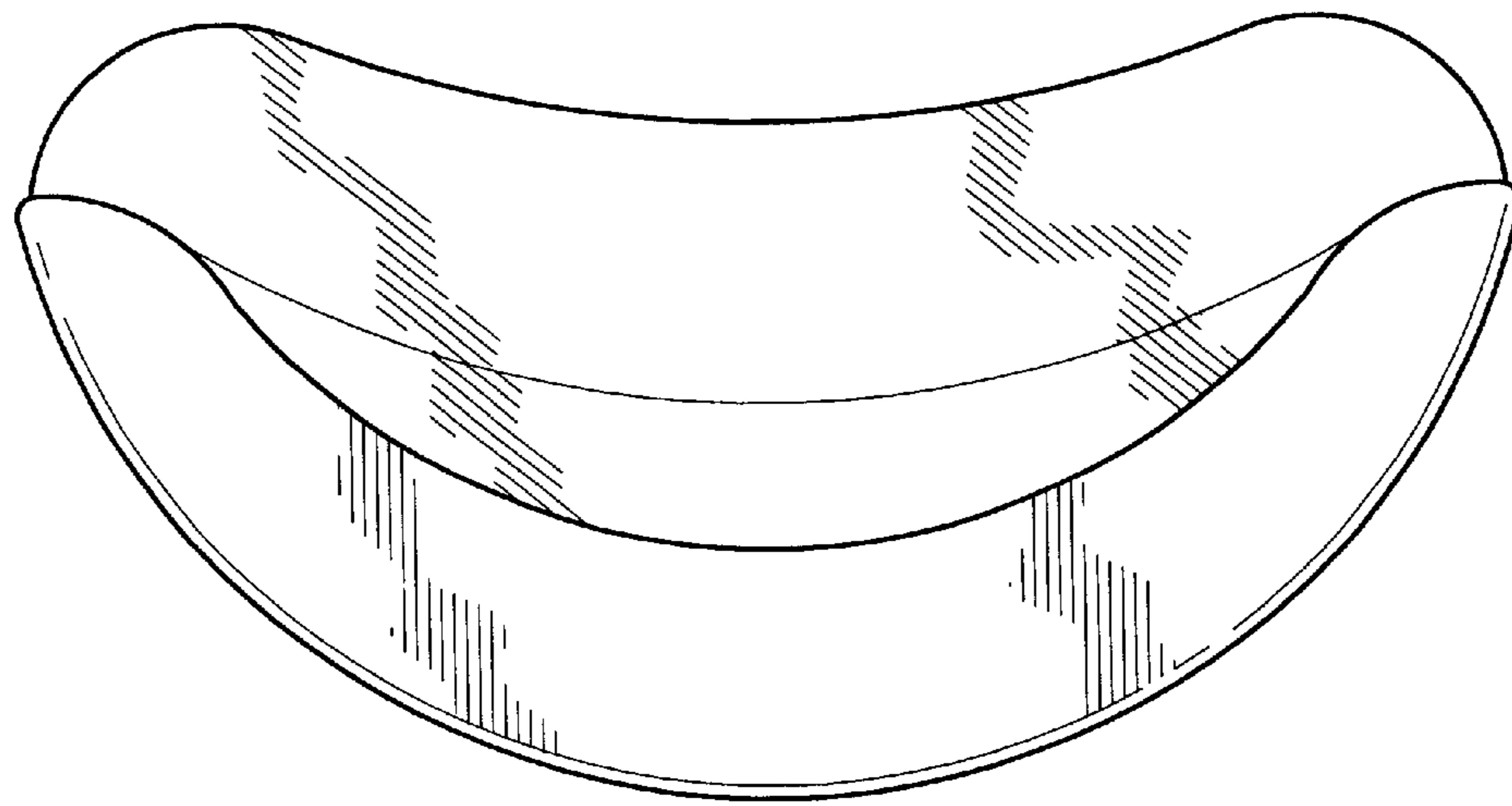


FIG. 3