

US00D526460S

(12) **United States Design Patent**  
**Goto et al.**

(10) **Patent No.:** **US D526,460 S**

(45) **Date of Patent:** **\*\* Aug. 8, 2006**

(54) **FORK LIFT TRUCK**

(75) Inventors: **Yuumei Goto**, Osaka (JP); **Yoji Wada**, Osaka (JP); **Takeshi Nishikawa**, Osaka (JP); **Toshihiko Terashima**, Osaka (JP)

(73) Assignee: **TCM Corporation**, Osaka (JP)

(\*\*) Term: **14 Years**

(21) Appl. No.: **29/216,702**

(22) Filed: **Nov. 8, 2004**

(30) **Foreign Application Priority Data**

Jun. 23, 2004 (JP) ..... 2004-018674

(51) **LOC (8) Cl.** ..... **12-05**

(52) **U.S. Cl.** ..... **D34/34**

(58) **Field of Classification Search** ..... D34/28,  
D34/34; 187/222, 237, 238; 414/631; 180/89.12,  
180/89.13, 89.17

See application file for complete search history.

(56) **References Cited**

**U.S. PATENT DOCUMENTS**

- D346,259 S \* 4/1994 Laatsch ..... D34/34
- D367,750 S \* 3/1996 Choi et al. .... D34/34
- 5,560,451 A \* 10/1996 Hincks ..... 187/237
- 5,881,842 A \* 3/1999 Kikukawa ..... 187/222

- 6,092,976 A \* 7/2000 Kamiya ..... 414/636
- D448,136 S \* 9/2001 Yurushi et al. .... D34/34
- D468,885 S \* 1/2003 Salin et al. .... D34/34
- D469,236 S \* 1/2003 Mitsuyoshi et al. .... D34/34
- D471,340 S \* 3/2003 Shibata et al. .... D34/34
- D471,689 S \* 3/2003 Shibata et al. .... D34/34
- D492,831 S \* 7/2004 Kouyama ..... D34/34
- D493,596 S \* 7/2004 Mori ..... D34/34

\* cited by examiner

*Primary Examiner*—Cynthia E. Ramirez

(74) *Attorney, Agent, or Firm*—Fildes & Outland, P.C.

(57) **CLAIM**

The ornamental design for a fork lift truck, as shown and described.

**DESCRIPTION**

FIG. 1 is a perspective front view of a fork lift truck showing our new design;

FIG. 2 is a perspective rear view thereof;

FIG. 3 is a right side elevation view thereof;

FIG. 4 is a left side elevational view thereof;

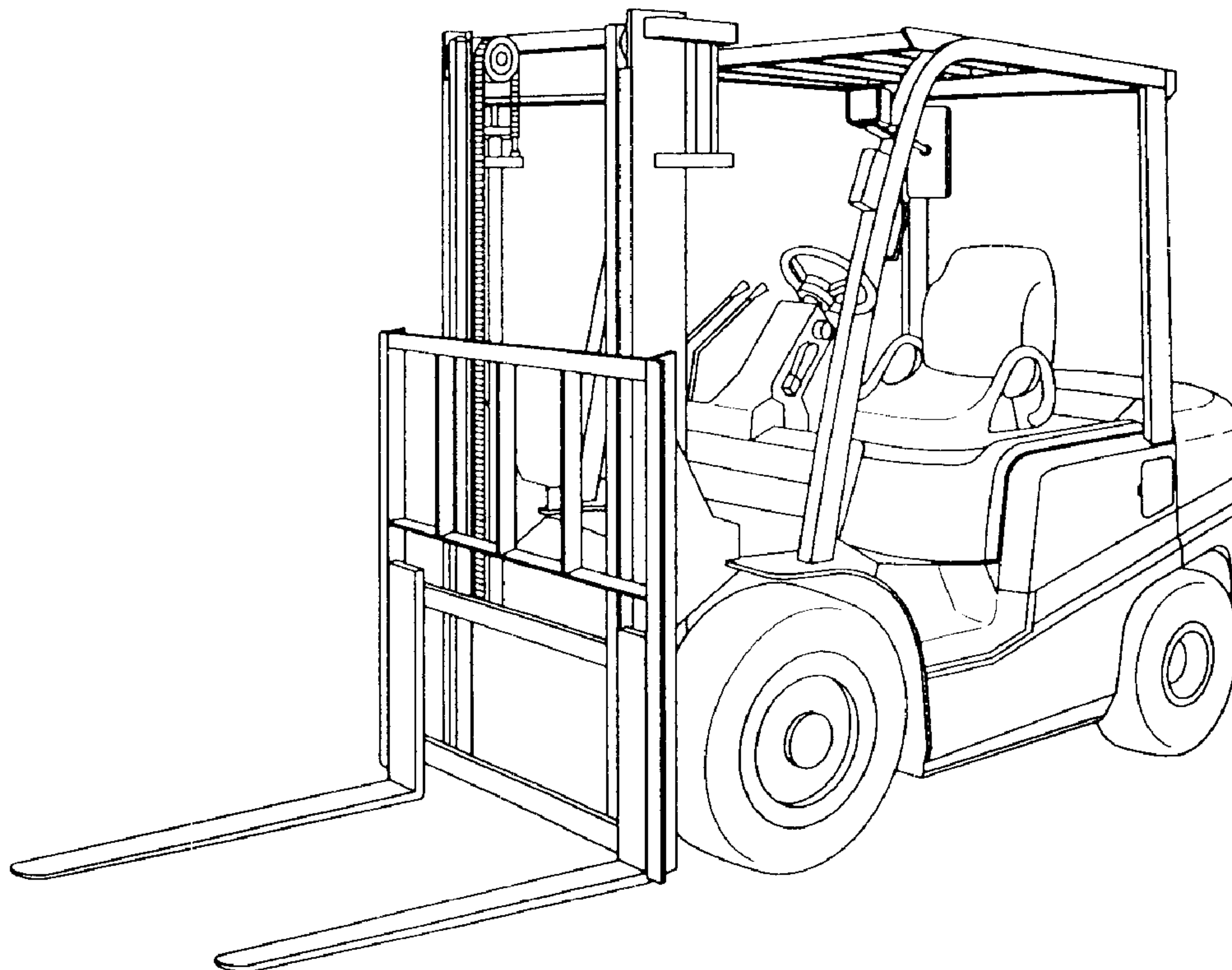
FIG. 5 is a front elevational view thereof;

FIG. 6 is a rear elevational view thereof;

FIG. 7 is a top plan view thereof; and,

FIG. 8 is a bottom view thereof.

**1 Claim, 8 Drawing Sheets**



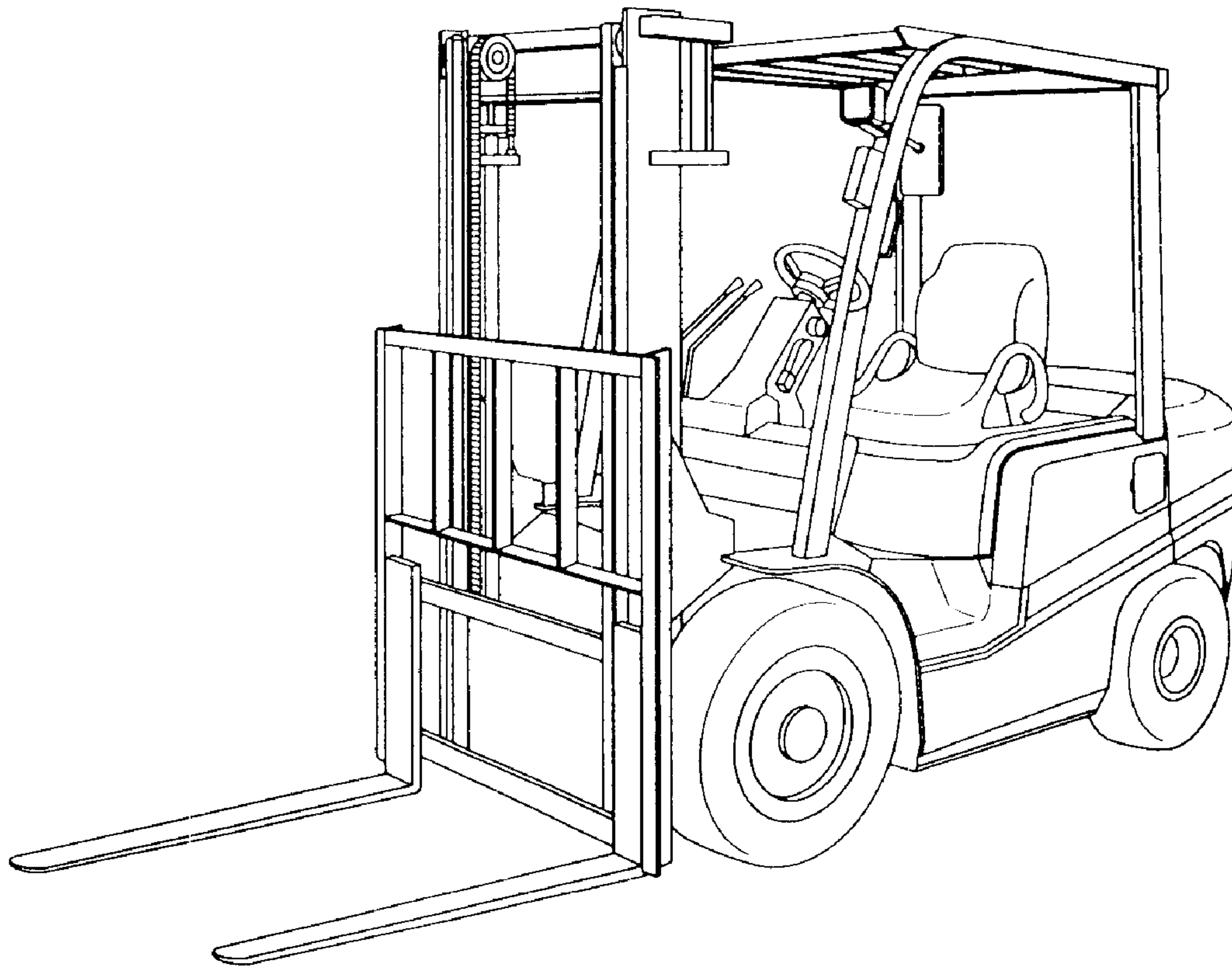


FIG - 1

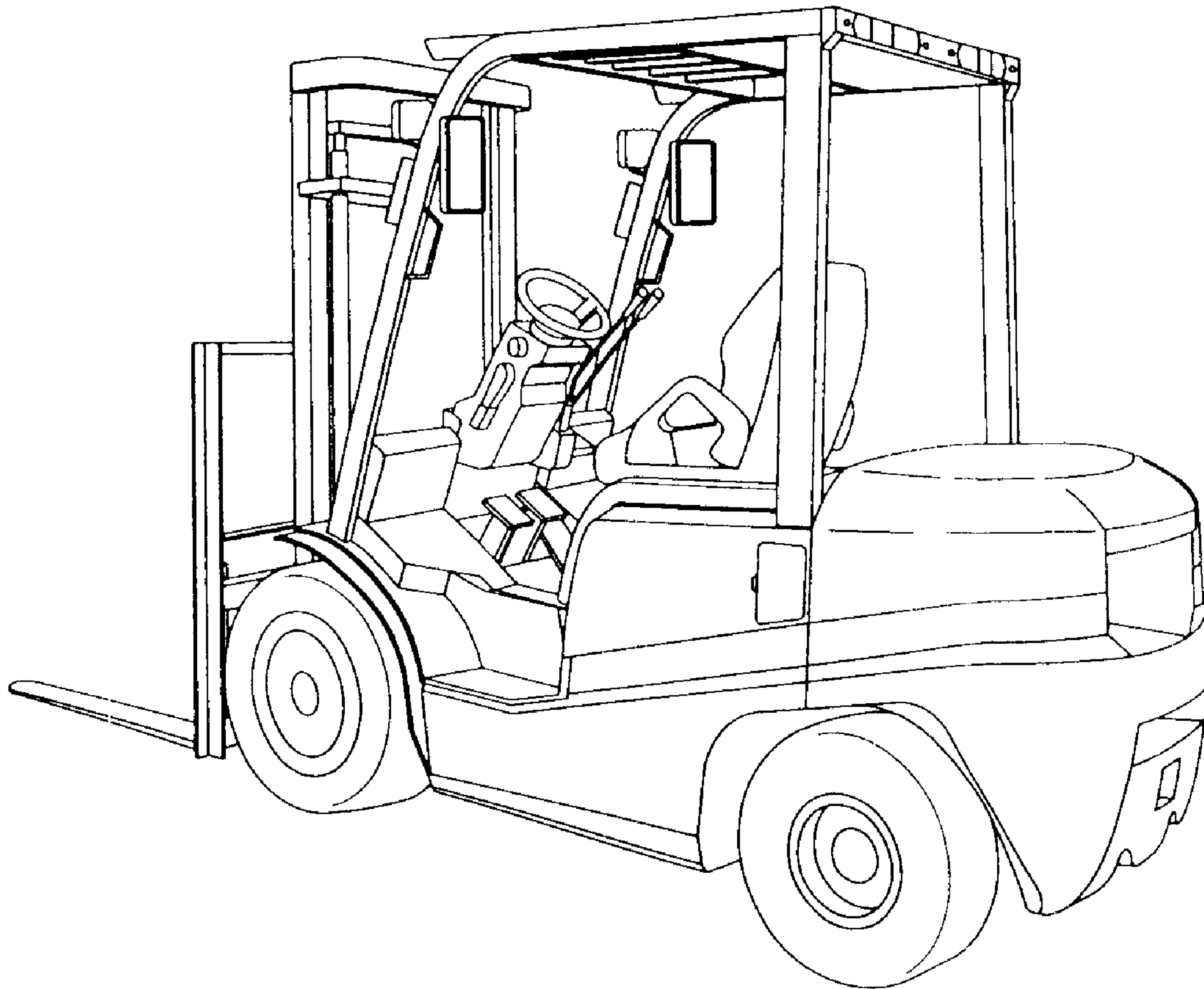


FIG - 2

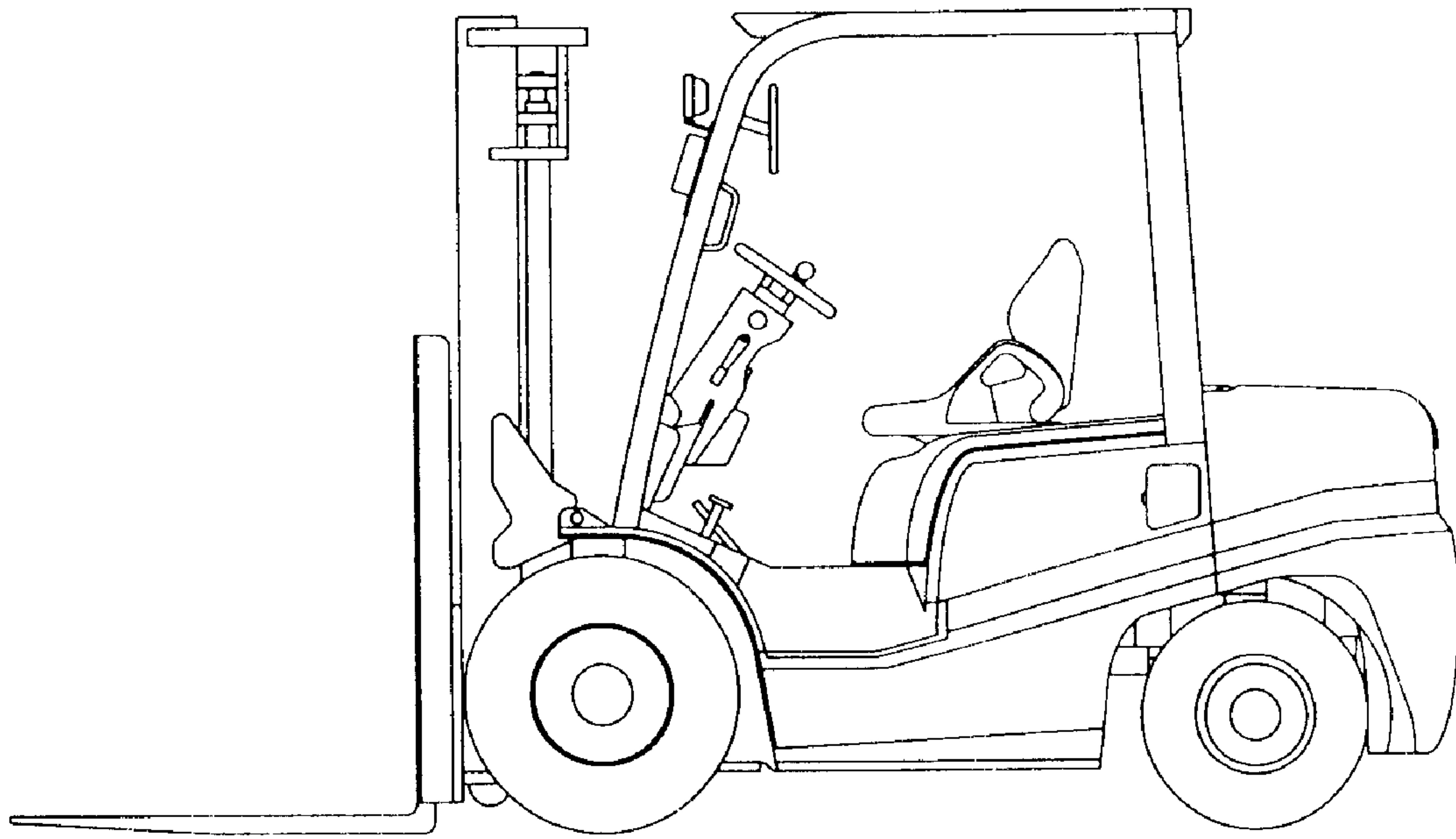


FIG - 3

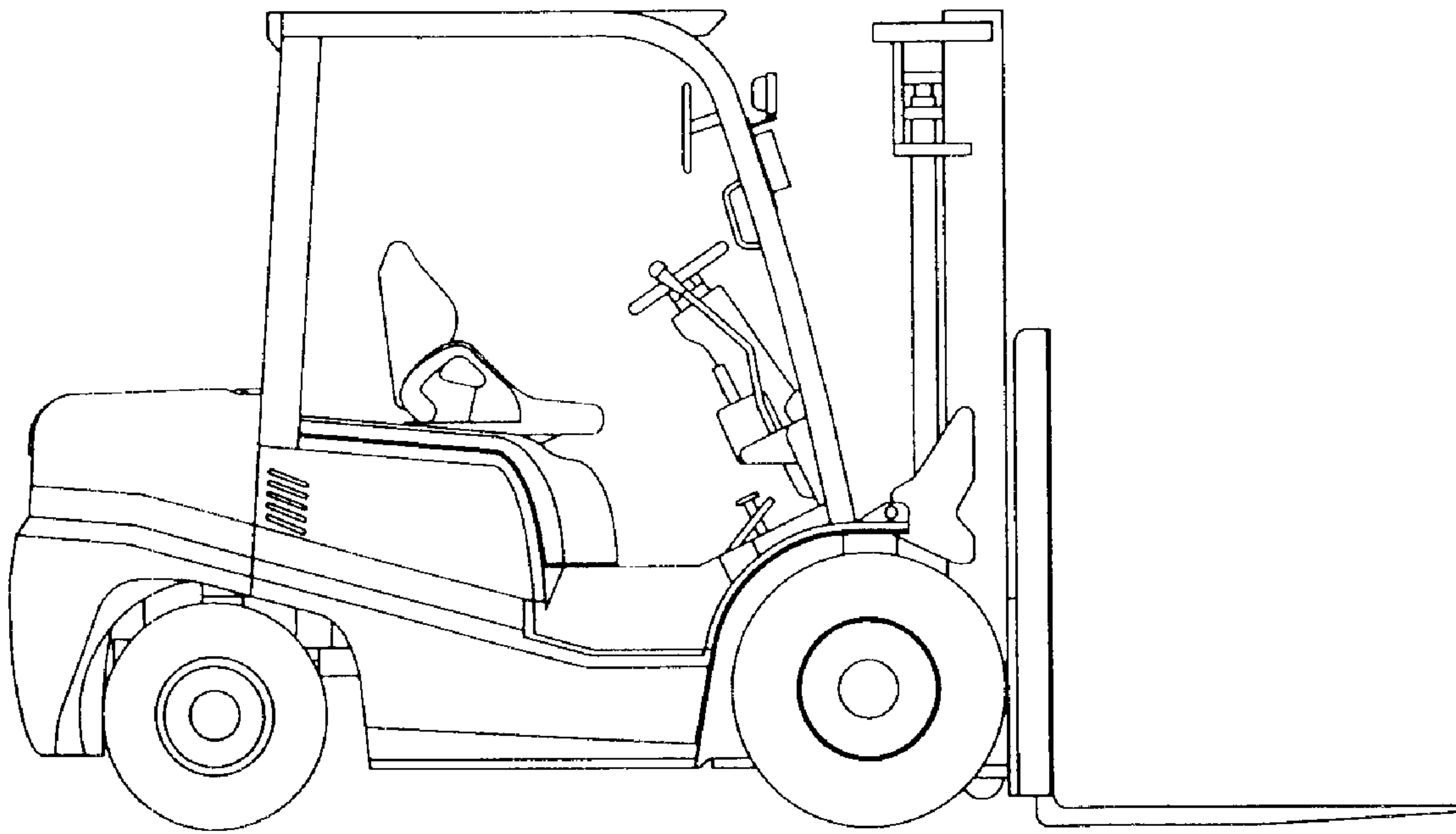


FIG - 4

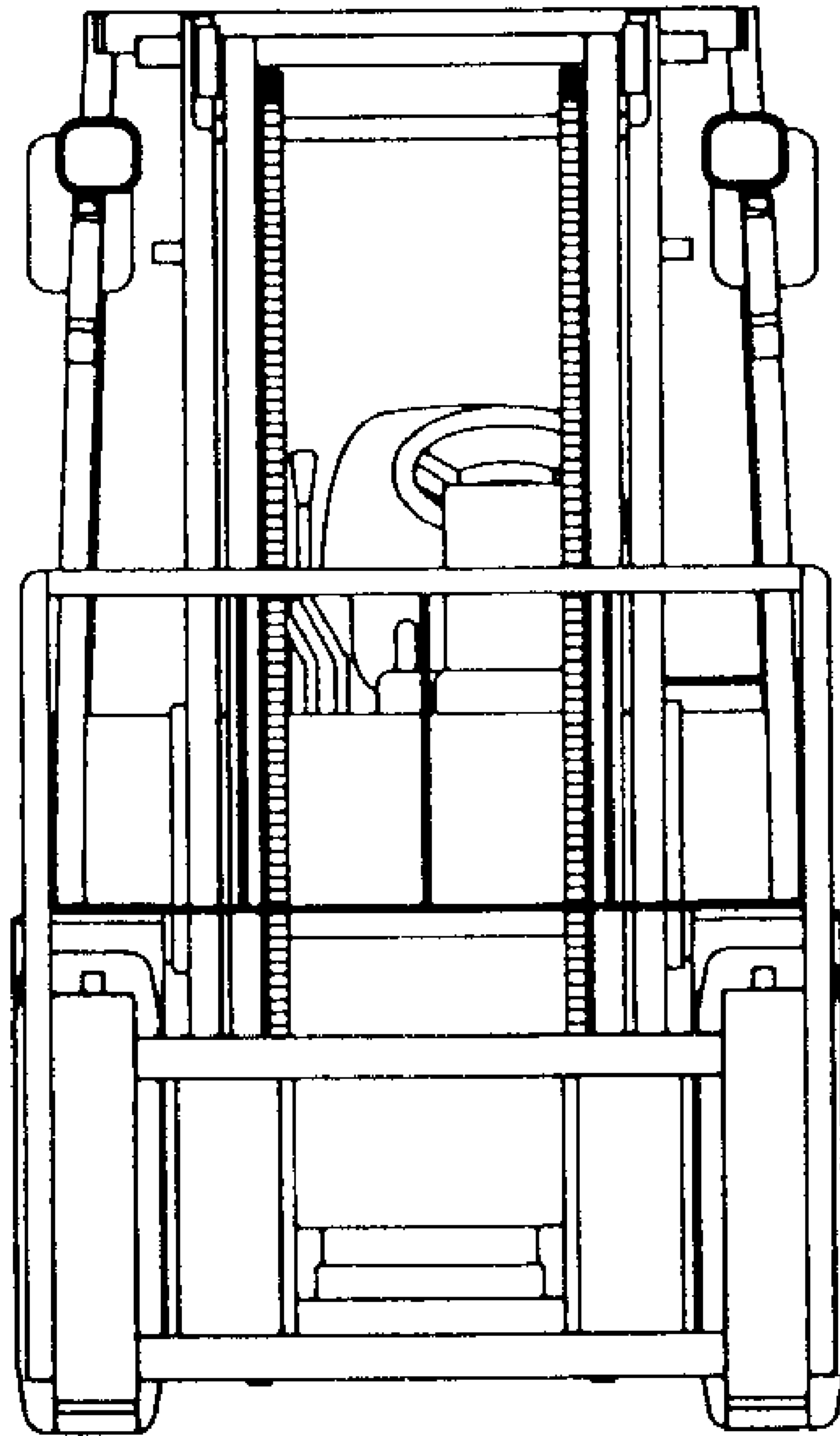
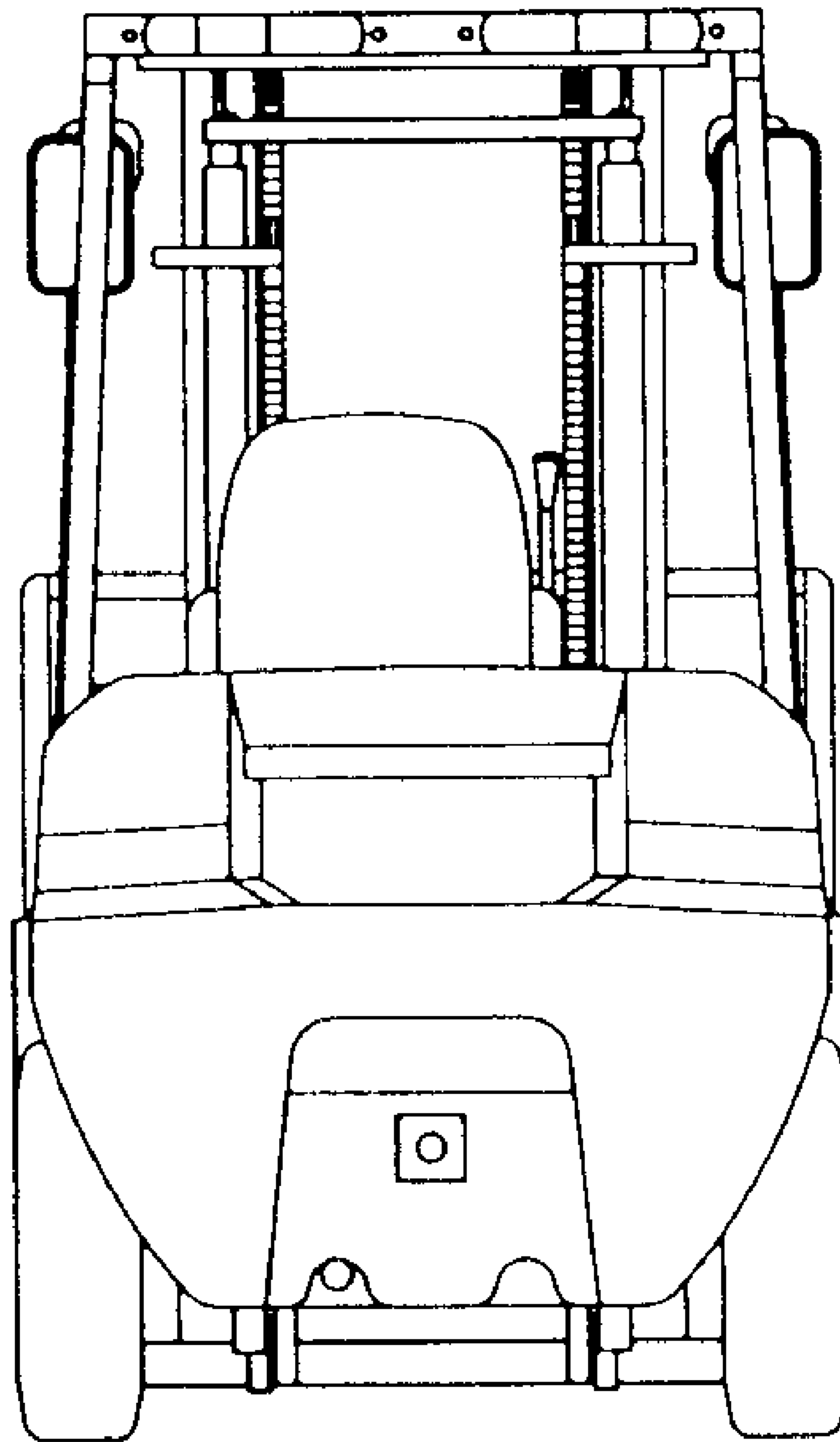


FIG - 5





**FIG - 6**

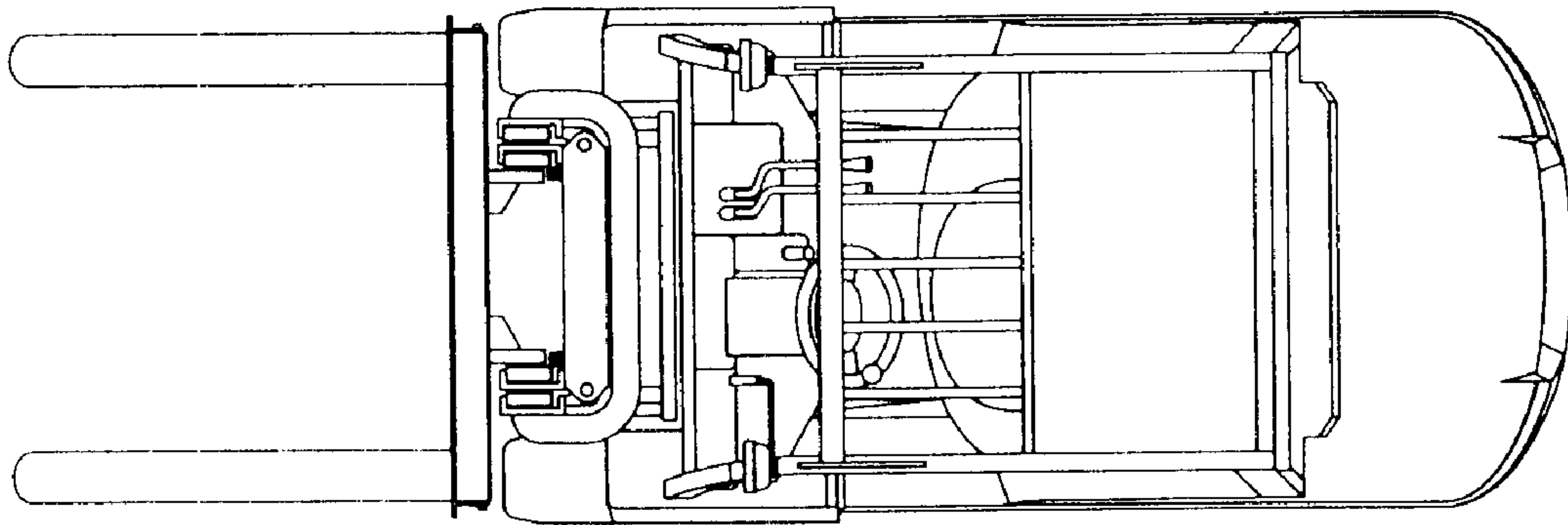


FIG - 7



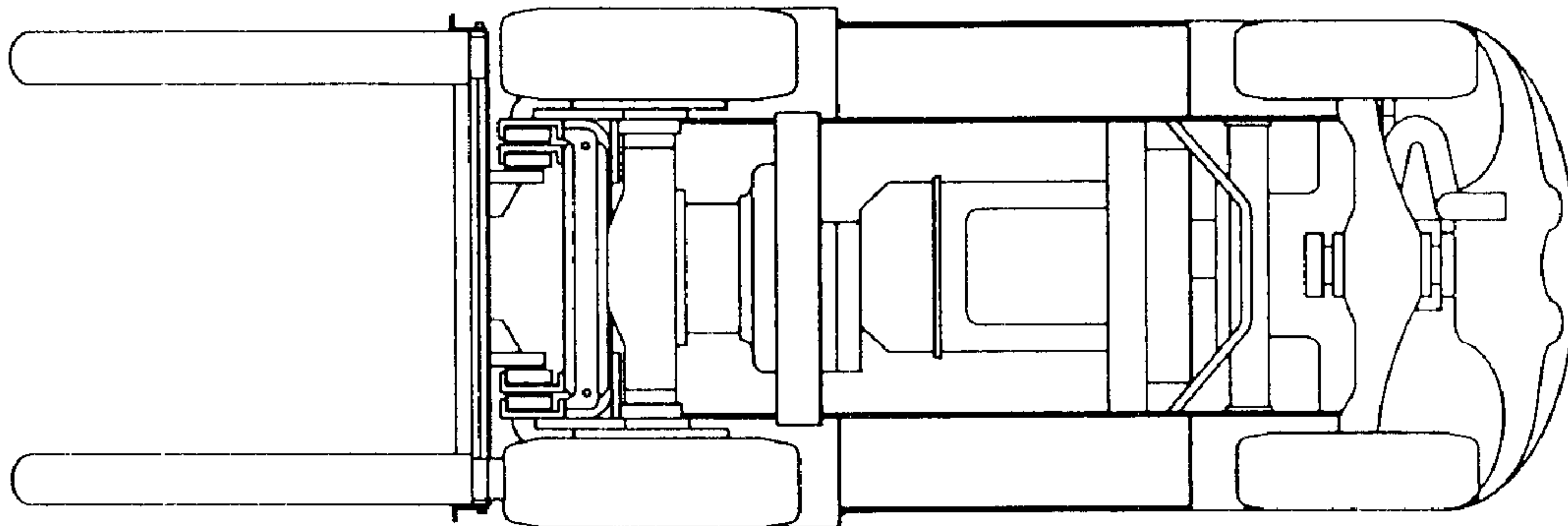


FIG - 8

UNITED STATES PATENT AND TRADEMARK OFFICE  
**CERTIFICATE OF CORRECTION**

PATENT NO. : Des. 526,460 S  
APPLICATION NO. : 29/216702  
DATED : August 8, 2006  
INVENTOR(S) : Yuumei Goto et al.

Page 1 of 10

It is certified that error appears in the above-identified patent and that said Letters Patent is hereby corrected as shown below:

Delete the title page and substitute therefor the attached title page.

Delete the Drawing Sheets 1-8 and substitute therefor the attached Drawing Sheets 1-8.

Signed and Sealed this

Fourteenth Day of November, 2006

A handwritten signature in black ink on a light gray dotted background. The signature reads "Jon W. Dudas" in a cursive style.

JON W. DUDAS

*Director of the United States Patent and Trademark Office*



(12) **United States Design Patent** (10) Patent No.: **US D526,460 S**  
 Goto et al. (45) Date of Patent: **\*\* Aug. 8, 2006**

(54) **FORK LIFT TRUCK**

(75) Inventors: **Yuumei Goto, Osaka (JP); Yoji Wada, Osaka (JP); Takeshi Nishikawa, Osaka (JP); Toshihiko Terashima, Osaka (JP)**

(73) Assignee: **TCM Corporation, Osaka (JP)**

(\*\*) Term: **14 Years**

(21) Appl. No.: **29/216,702**

(22) Filed: **Nov. 8, 2004**

(30) **Foreign Application Priority Data**

Jun. 23, 2004 (JP) ..... 2004-018674

(51) **LOC (8) Cl.** ..... **12-05**

(52) **U.S. Cl.** ..... **D34/34**

(58) **Field of Classification Search** ..... **D34/28, D34/34; 187/222, 237, 238; 414/631; 180/89.12, 180/89.13, 89.17**

See application file for complete search history.

(56) **References Cited**

**U.S. PATENT DOCUMENTS**

- D346,259 S \* 4/1994 Laatsch ..... D34/34
- D367,750 S \* 3/1996 Choi et al. .... D34/34
- 5,560,451 A \* 10/1996 Hincks ..... 187/237
- 5,881,842 A \* 3/1999 Kikukawa ..... 187/222

- 6,092,976 A \* 7/2000 Kamiya ..... 414/636
- D448,136 S \* 9/2001 Yarusui et al. .... D34/34
- D468,885 S \* 1/2003 Sain et al. .... D34/34
- D469,236 S \* 1/2003 Mitsuyoshi et al. .... D34/34
- D471,340 S \* 3/2003 Shibata et al. .... D34/34
- D471,689 S \* 3/2003 Shibata et al. .... D34/34
- D492,831 S \* 7/2004 Kouyama ..... D34/34
- D493,596 S \* 7/2004 Mori ..... D34/34

\* cited by examiner

*Primary Examiner*—Cynthia E. Ramirez

(74) *Attorney, Agent, or Firm*—Fildes & Outland, P.C.

(57) **CLAIM**

The ornamental design for a fork lift truck, as shown and described.

**DESCRIPTION**

FIG. 1 is a perspective front view of a fork lift truck showing our new design;

FIG. 2 is a perspective rear view thereof;

FIG. 3 is a right side elevation view thereof;

FIG. 4 is a left side elevational view thereof;

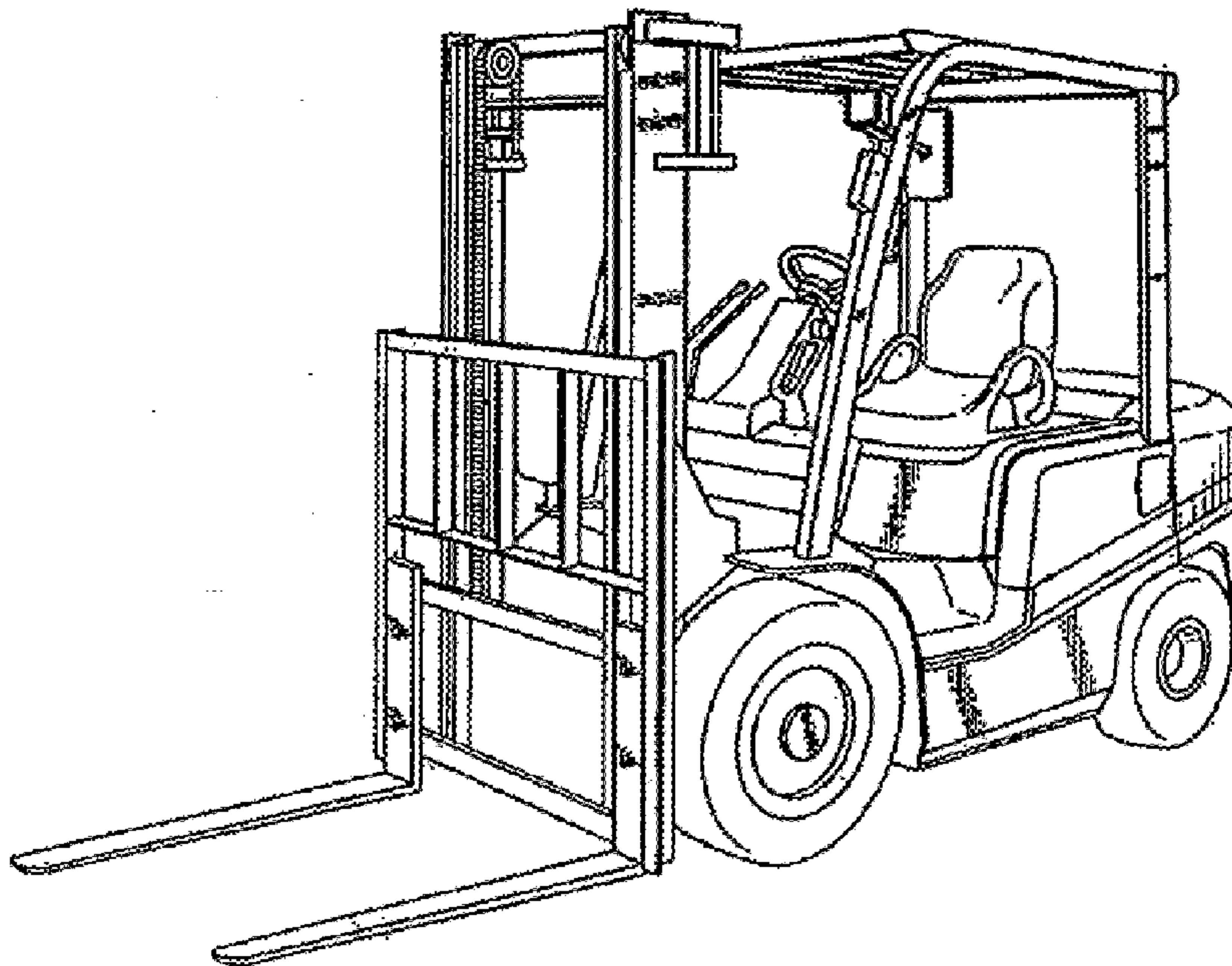
FIG. 5 is a front elevational view thereof;

FIG. 6 is a rear elevational view thereof;

FIG. 7 is a top plan view thereof; and,

FIG. 8 is a bottom view thereof.

**1 Claim, 8 Drawing Sheets**



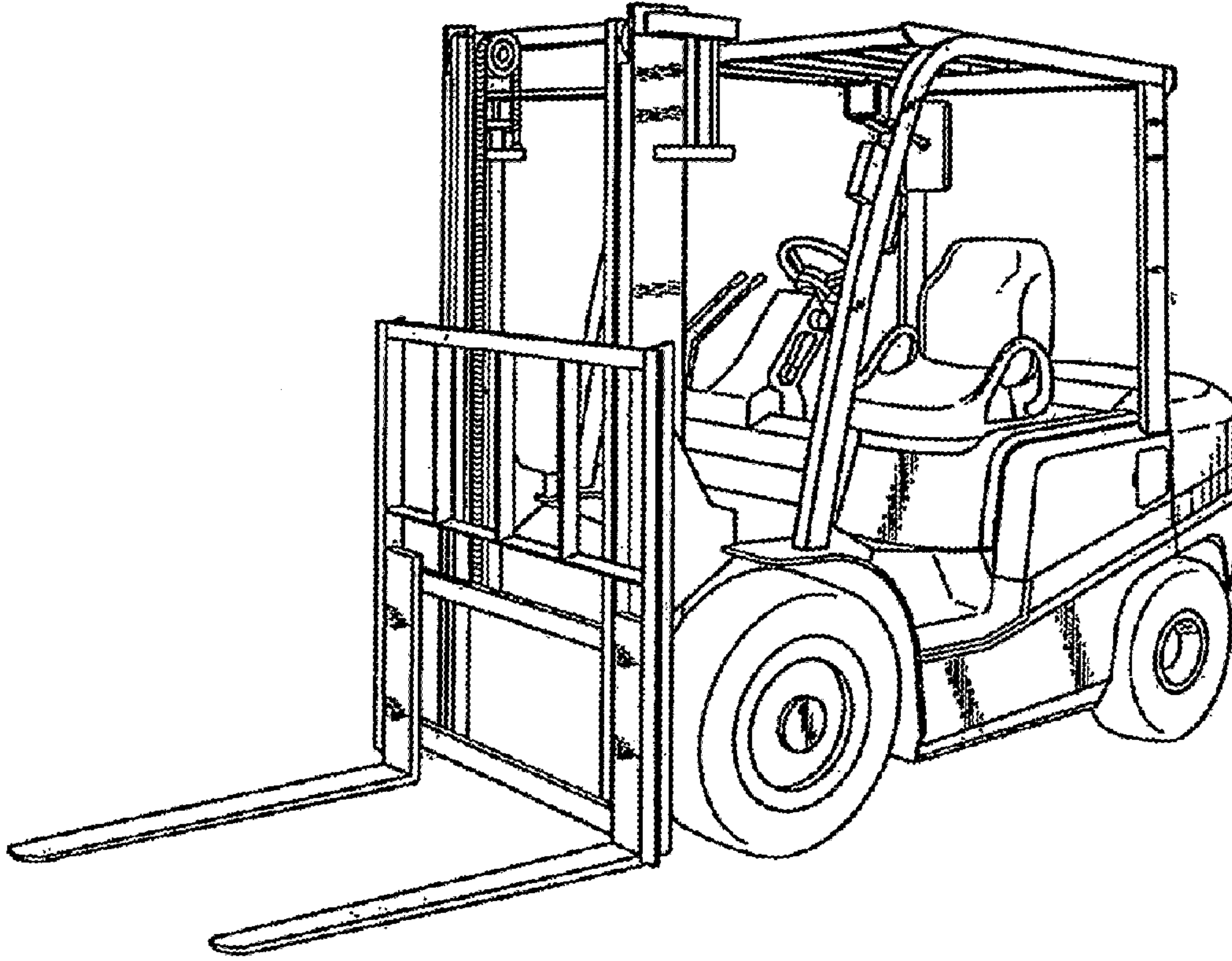


FIG - 1



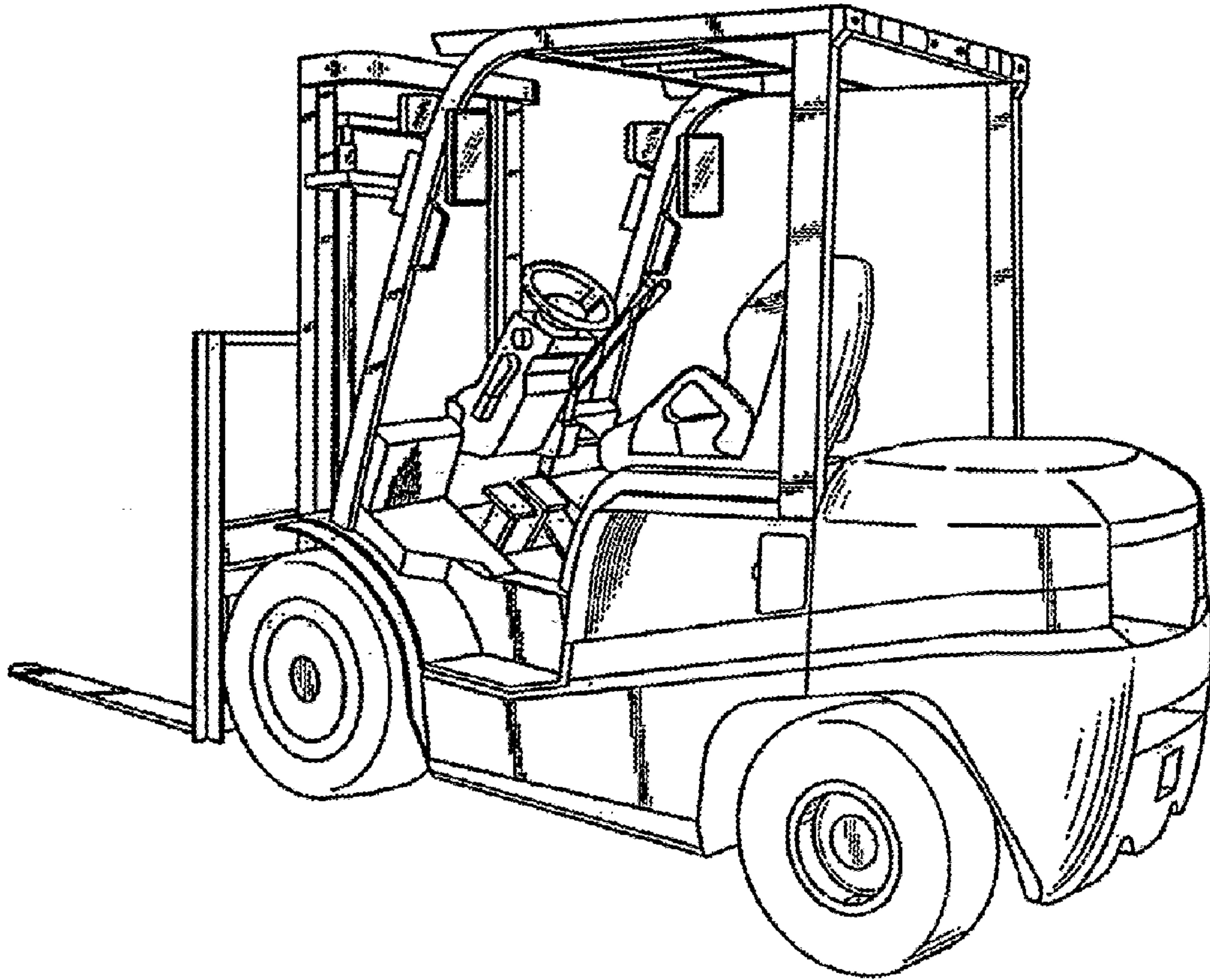


FIG - 2

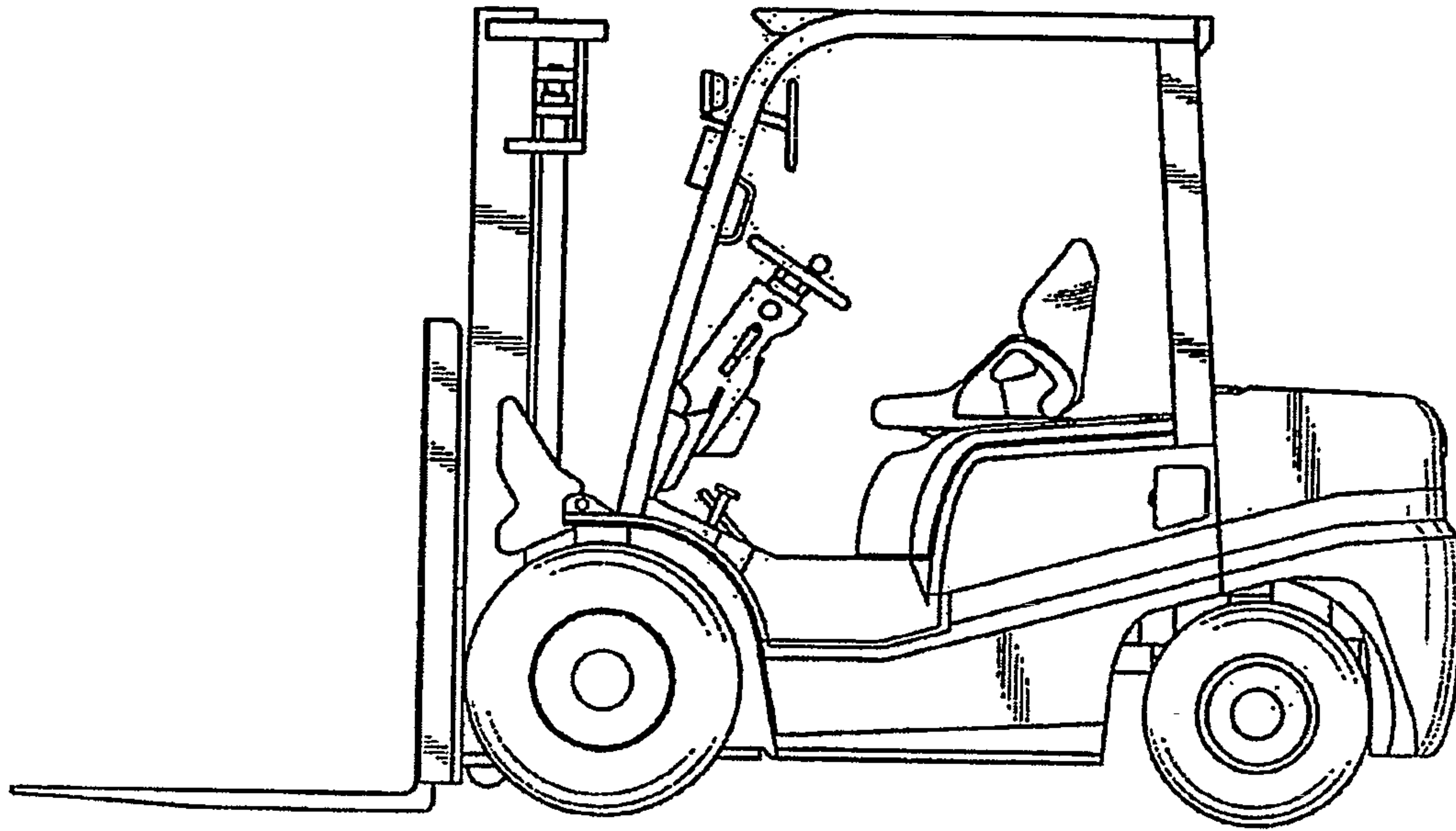


FIG - 3

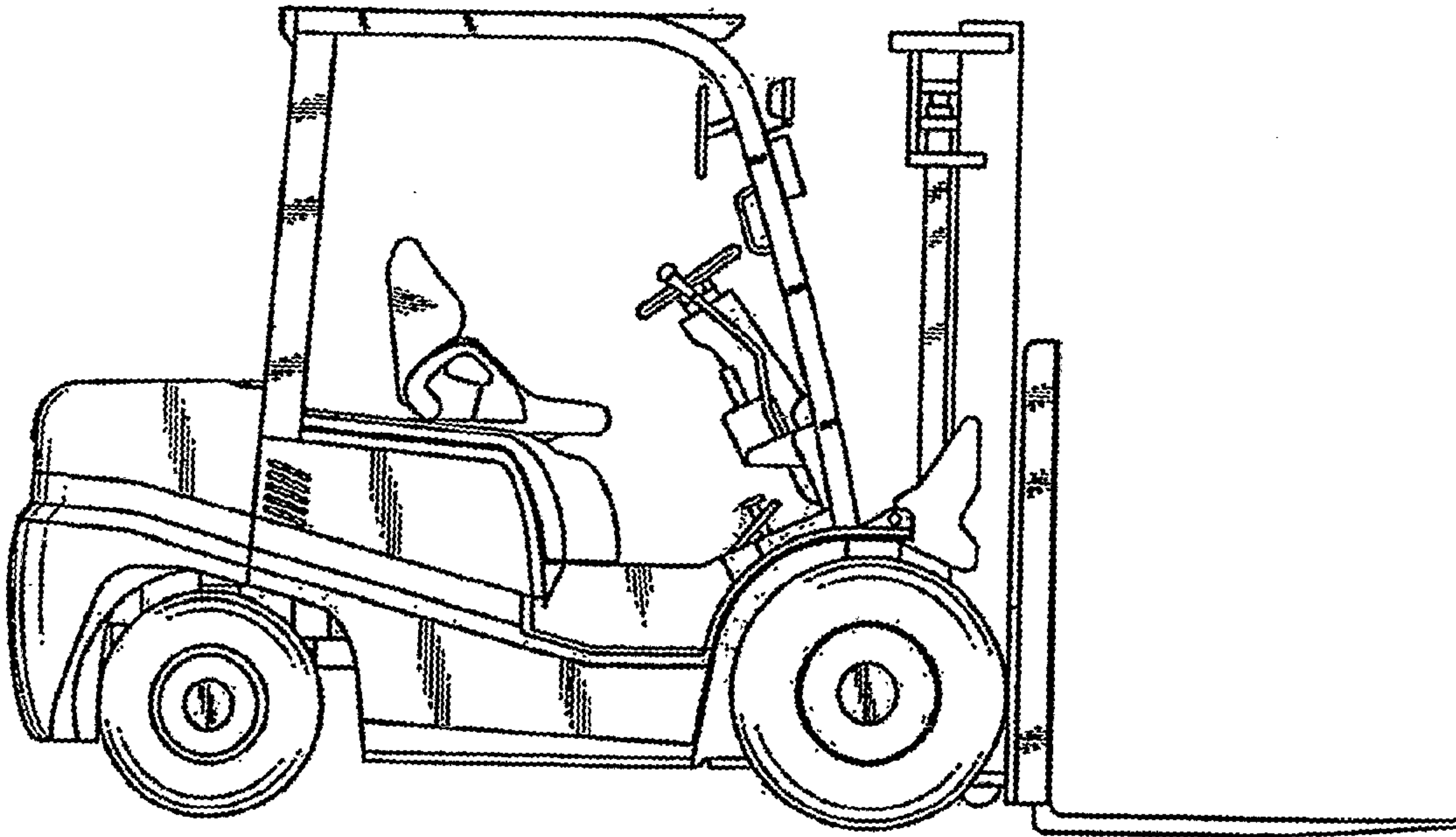


FIG - 4



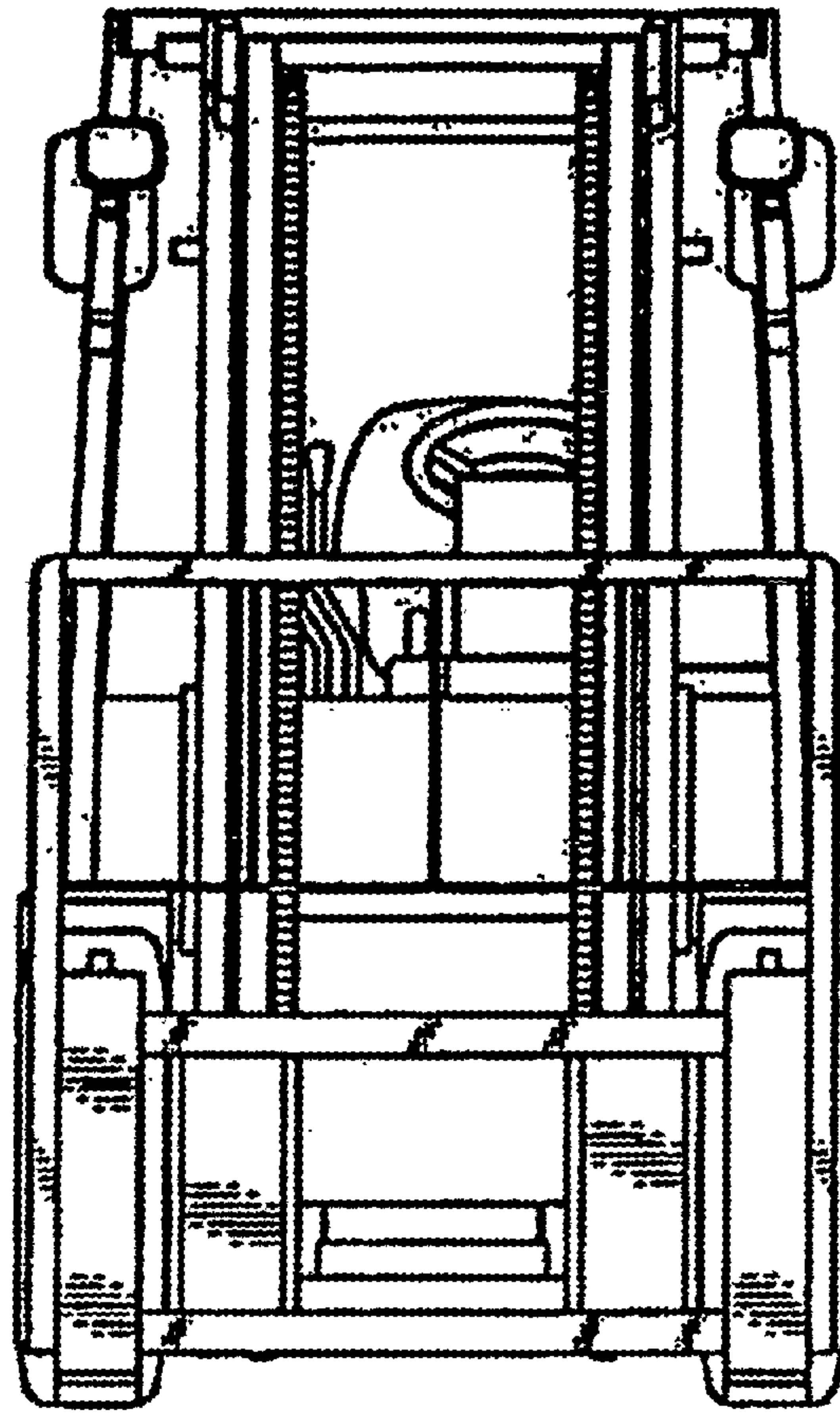


FIG - 5

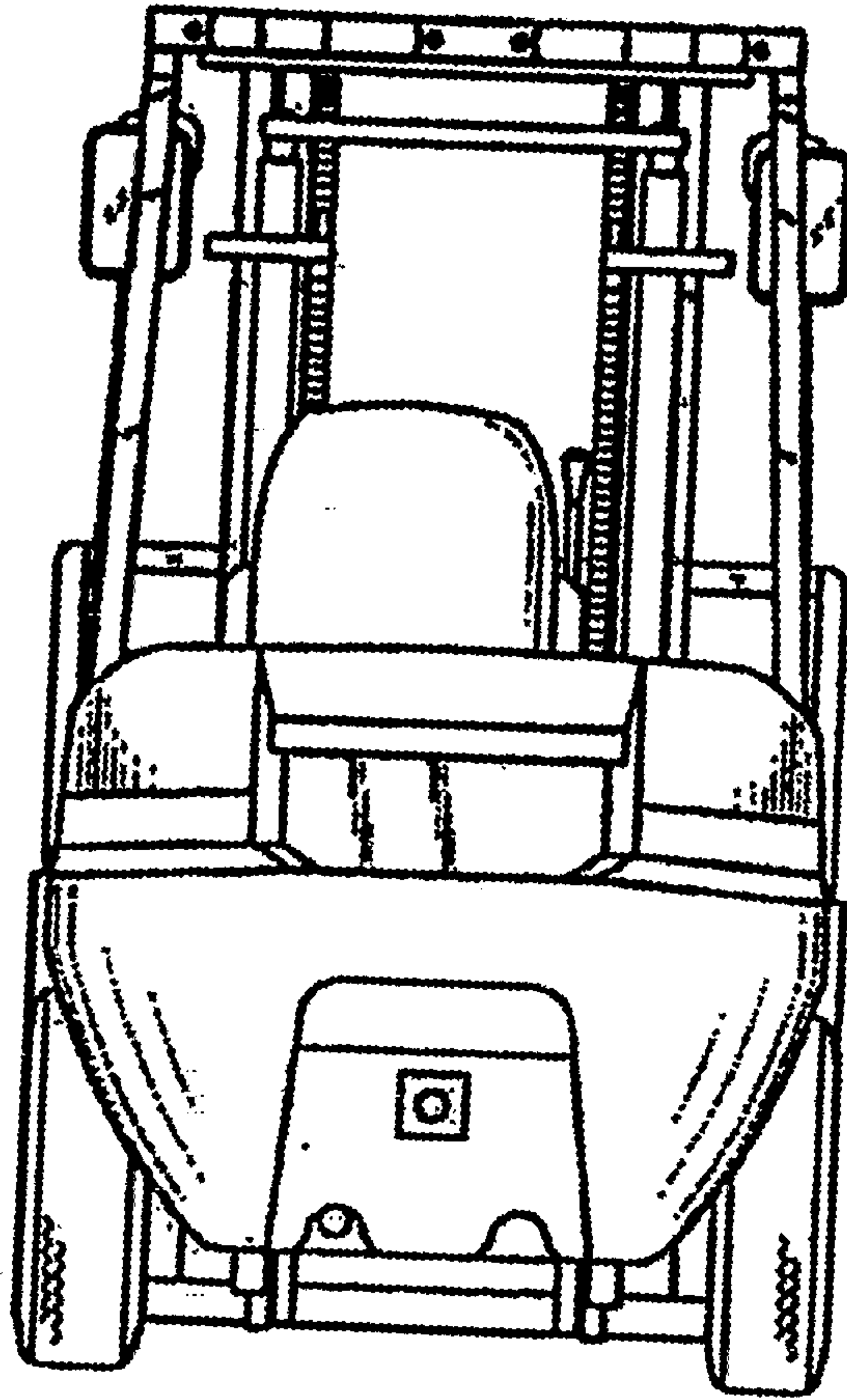


FIG - 6

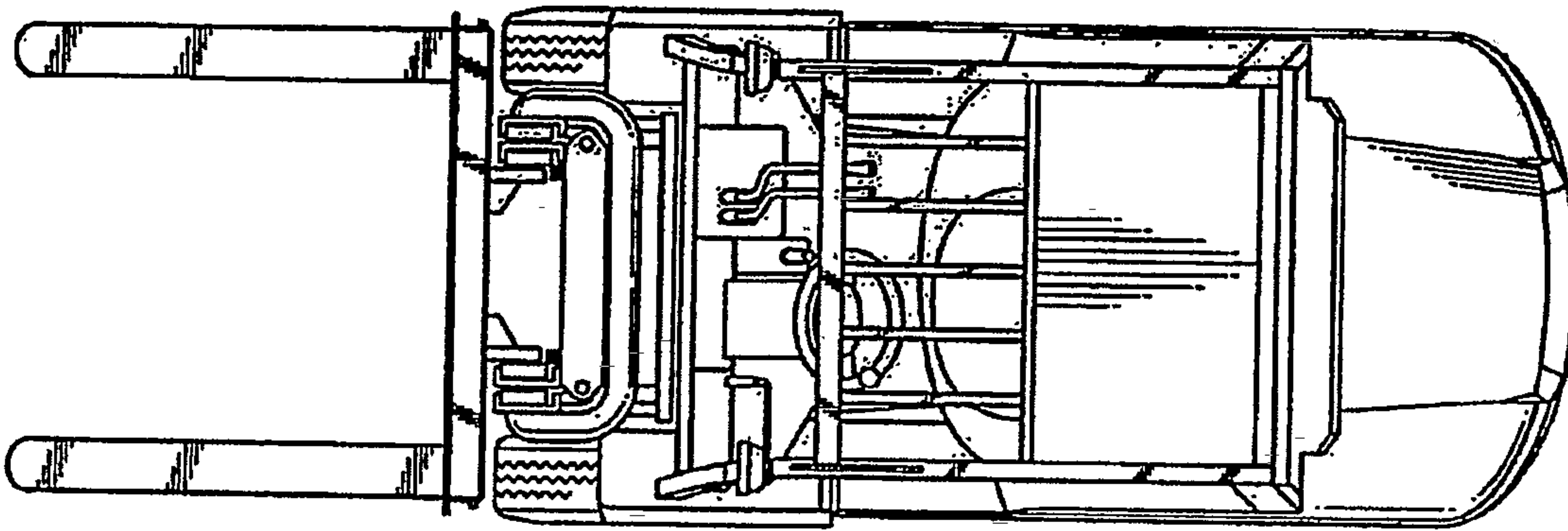


FIG - 7

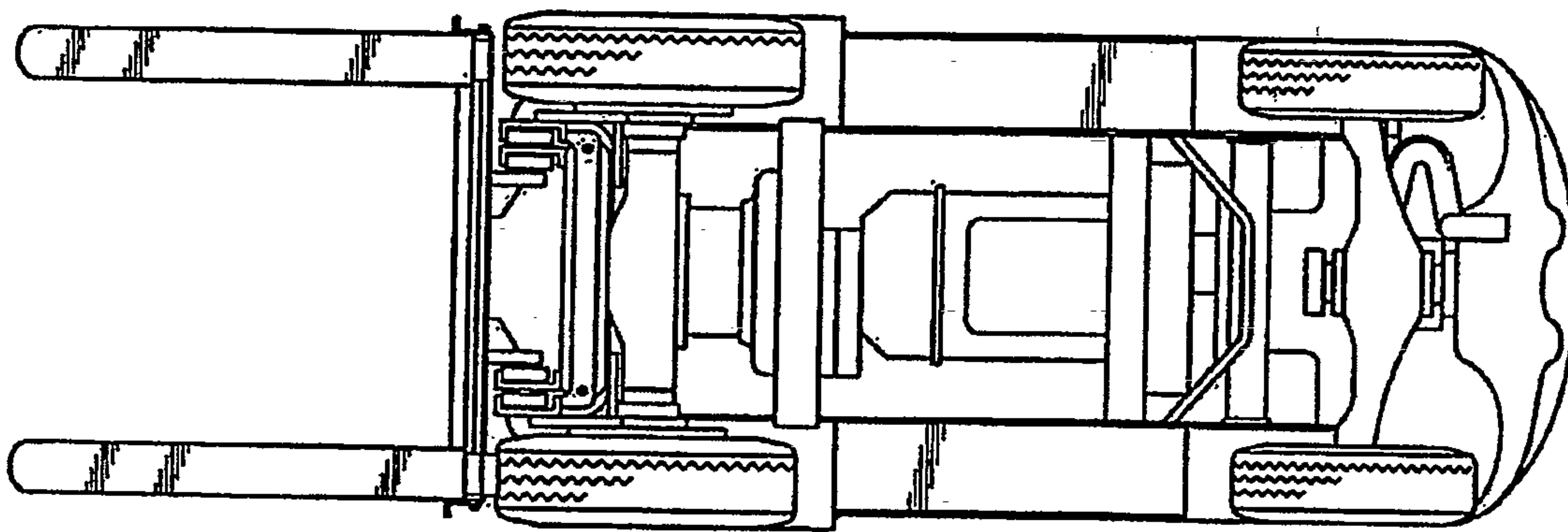


FIG - 8