

US00D526459S

(12) **United States Design Patent**  
**Schlimbach**

(10) **Patent No.:** **US D526,459 S**

(45) **Date of Patent:** **\*\* Aug. 8, 2006**

(54) **INKJET CARTRIDGE RECYCLING LID**

(76) **Inventor:** **Katherine A. Schlimbach**, W1445  
N5495 Vera La., Menomonee Falls, WI  
(US) 53051

(\*\*) **Term:** **14 Years**

(21) **Appl. No.:** **29/213,594**

(22) **Filed:** **Sep. 20, 2004**

(51) **LOC (8) Cl.** ..... **09-09**

(52) **U.S. Cl.** ..... **D34/11**

(58) **Field of Classification Search** ..... D34/1,  
D34/5, 6, 7, 8, 9, 10, 11; 220/908-911, 213,  
220/200, 282; D9/447, 449  
See application file for complete search history.

(56) **References Cited**

**U.S. PATENT DOCUMENTS**

D318,354 S	*	7/1991	Delmerico	.....	D34/7
D321,576 S	*	11/1991	Hradisky	.....	D34/8
D326,754 S	*	6/1992	Hradisky	.....	D34/7
D335,565 S	*	5/1993	Juergens	.....	D34/11
D338,091 S	*	8/1993	Serrault	.....	D34/1
D351,705 S	*	10/1994	Bird et al.	.....	D34/11
D355,739 S	*	2/1995	Bird et al.	.....	D34/1
D360,062 S	*	7/1995	Mosior	.....	D24/131

D377,553 S	*	1/1997	Cozart	.....	D34/1
D381,782 S	*	7/1997	Bright	.....	D34/1
D391,729 S	*	3/1998	Delmerico	.....	D34/11
D460,233 S	*	7/2002	Strubin	.....	D34/1
D482,509 S	*	11/2003	Lin	.....	D34/39

\* cited by examiner

*Primary Examiner*—Cynthia E. Ramirez

(74) *Attorney, Agent, or Firm*—Donald J. Ersler

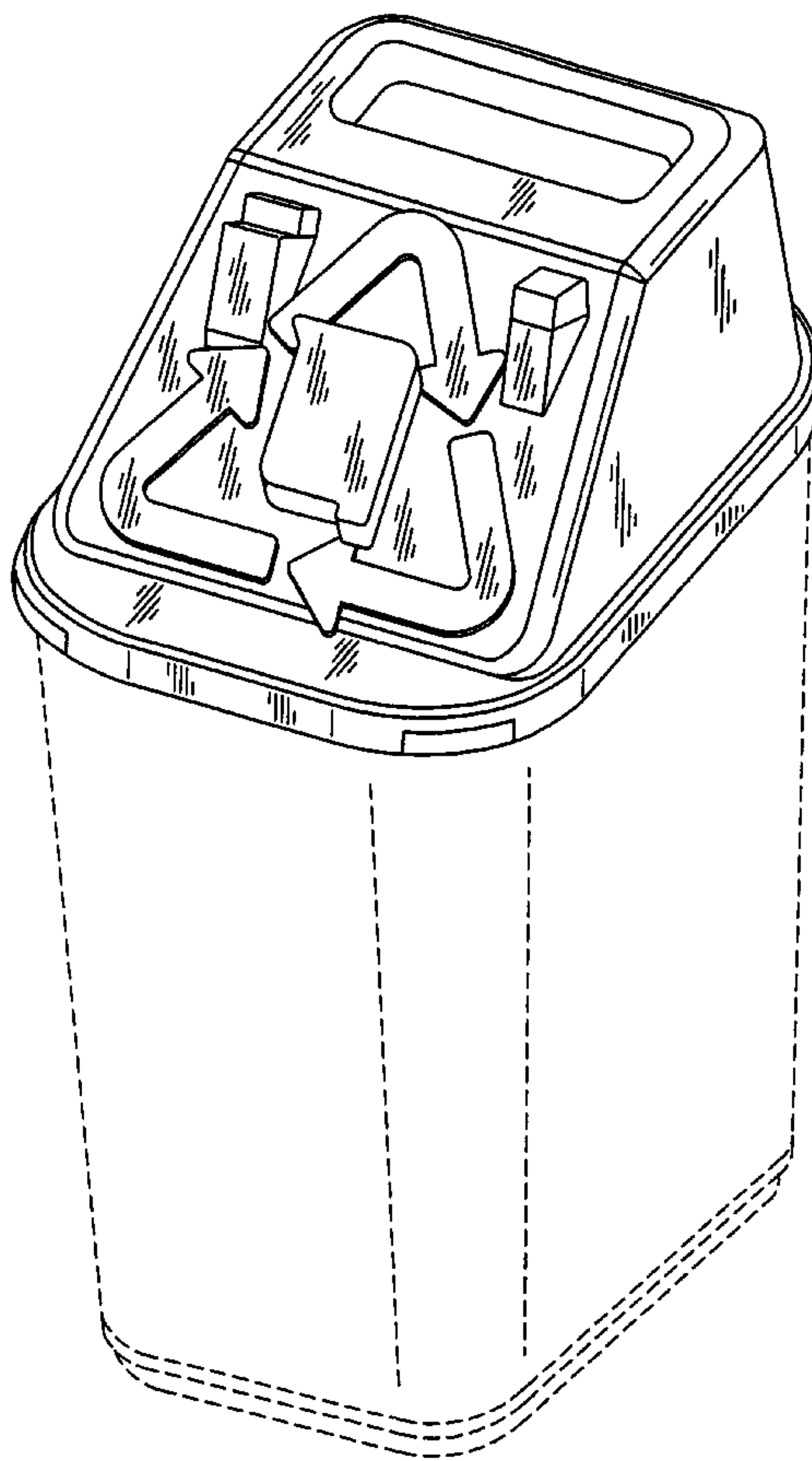
(57) **CLAIM**

The ornamental design for an inkjet cartridge recycling lid, as shown and described.

**DESCRIPTION**

FIG. 1 is a perspective view of an inkjet cartridge recycling lid incorporating my new design;  
FIG. 2 is a front elevation view thereof;  
FIG. 3 is a top plan view thereof;  
FIG. 4 is a right side elevation view thereof with the left side elevation view being a mirror image of the right side elevation view; and,  
FIG. 5 is a rear elevation view thereof.  
The broken line showing of a container in FIG. 1 is for illustrative purposes only and forms no part of the claimed design.

**1 Claim, 3 Drawing Sheets**



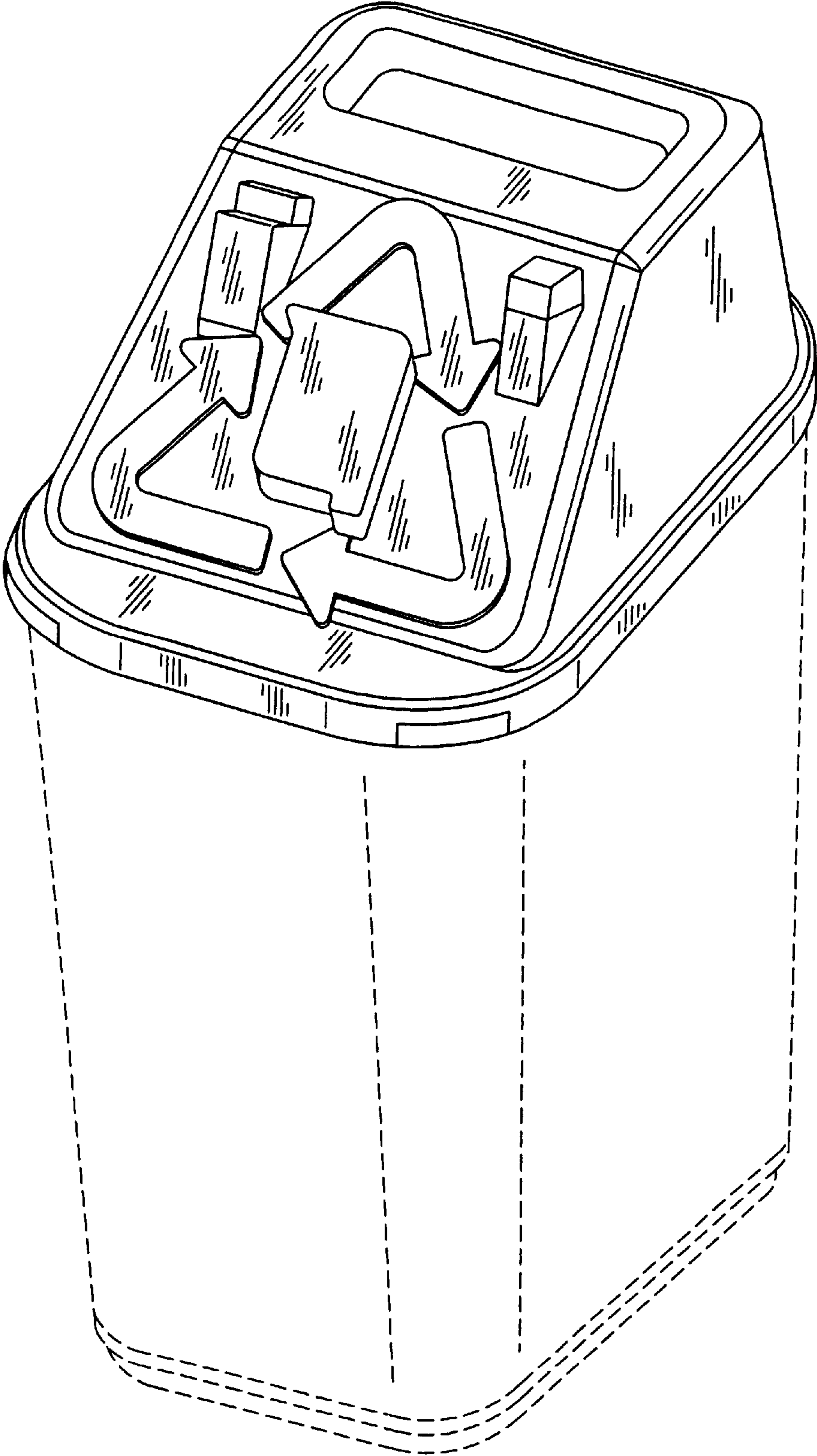


FIG. 1

FIG. 2

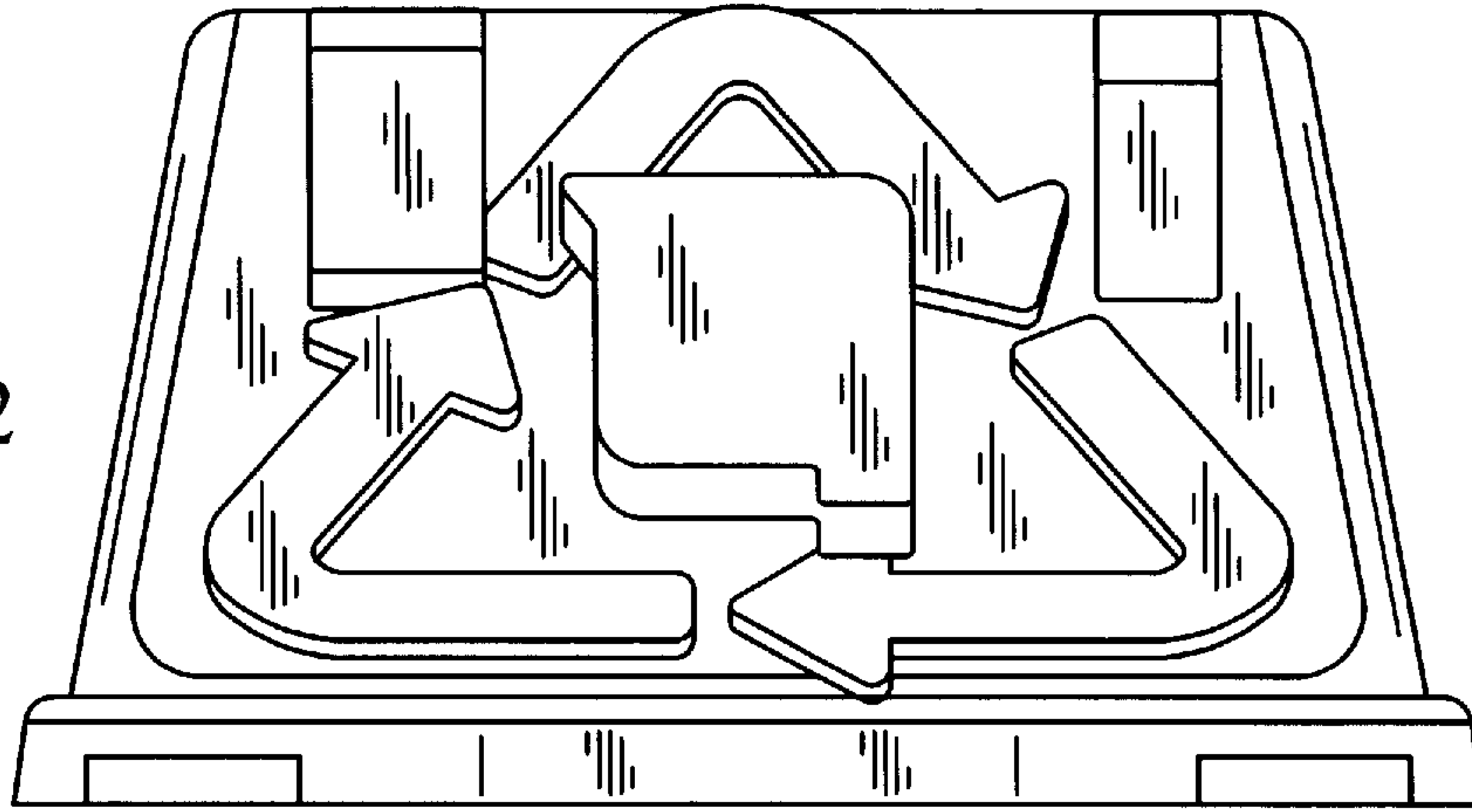
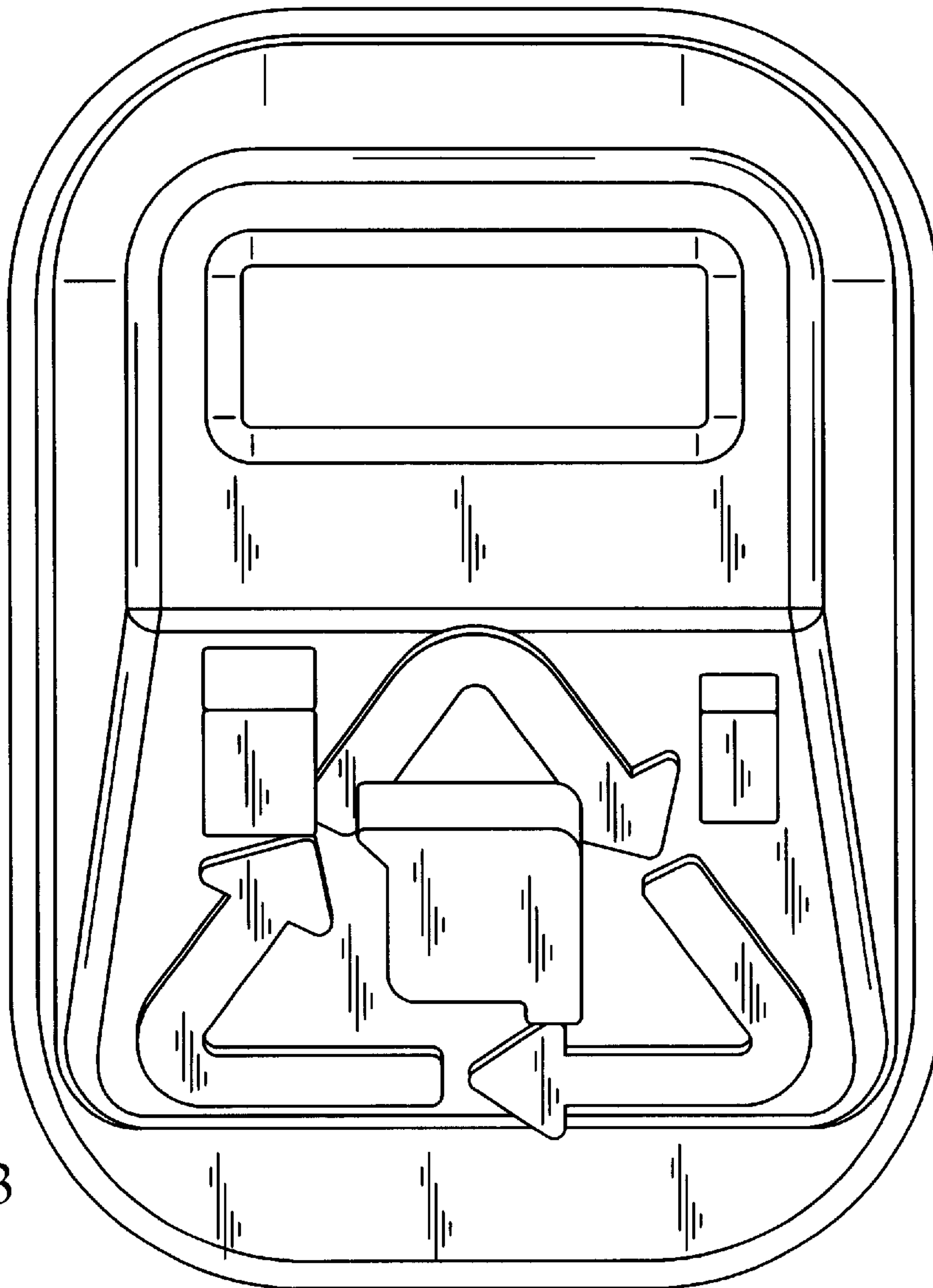


FIG. 3



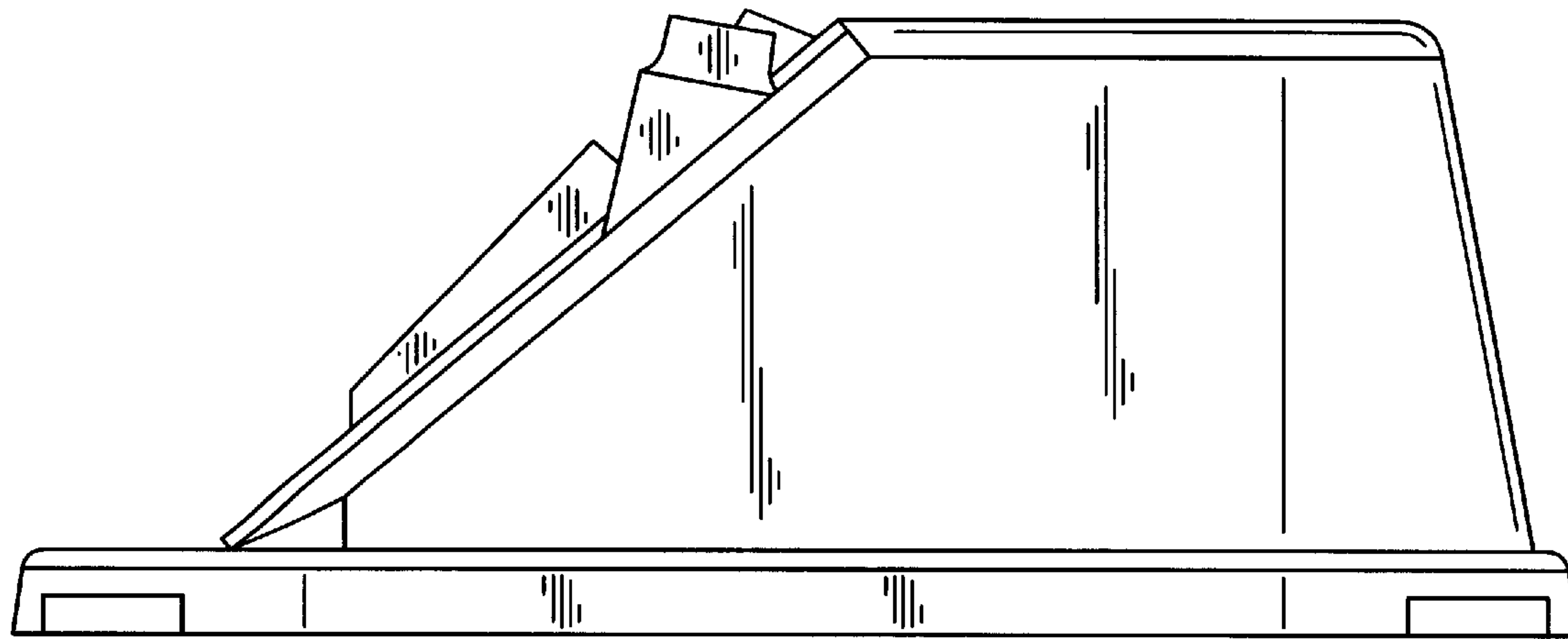


FIG. 4

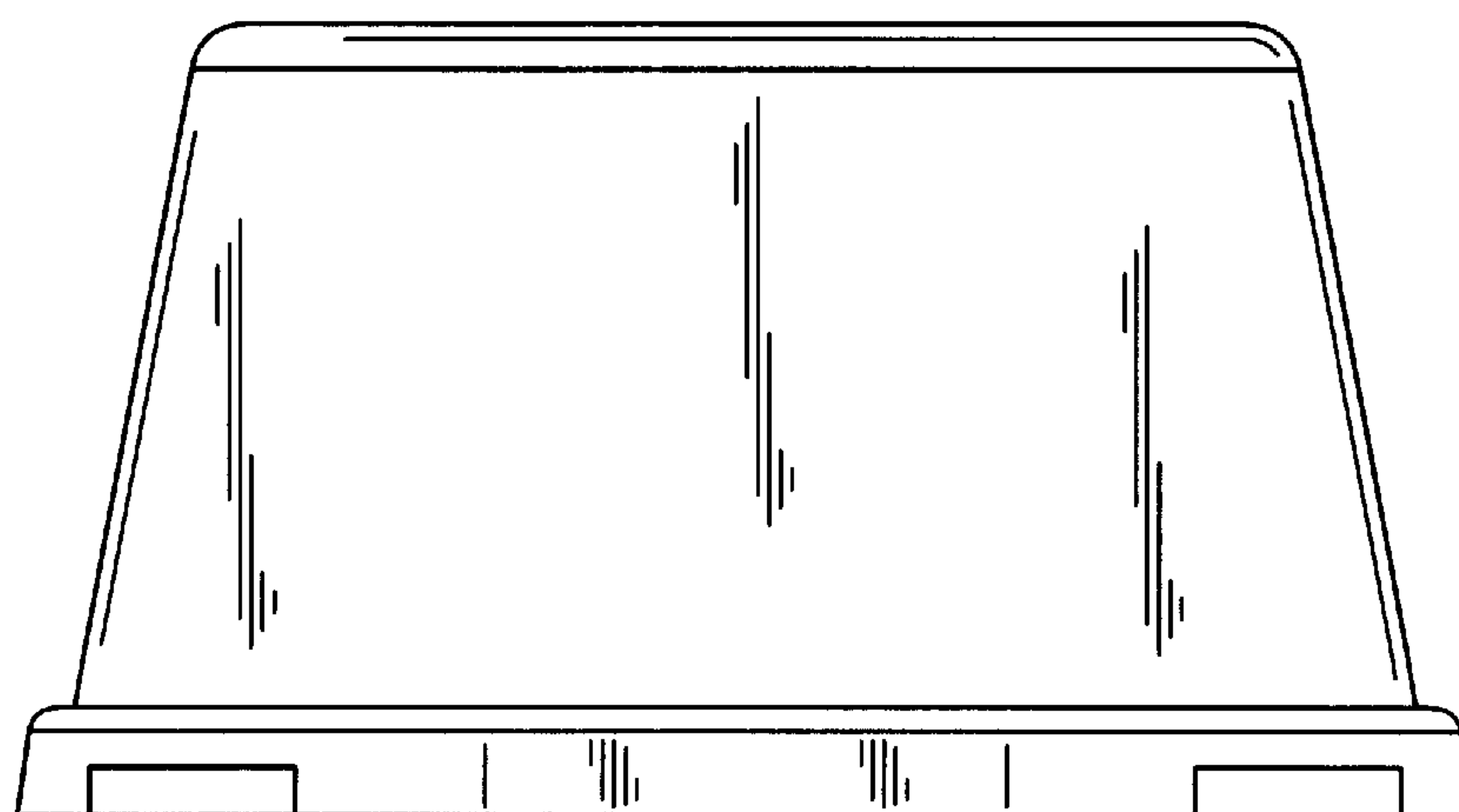


FIG. 5