



US00D526456S

(12) **United States Design Patent**  
**Lin**

(10) **Patent No.:** **US D526,456 S**  
(45) **Date of Patent:** **\*\* Aug. 8, 2006**

(54) **GARBAGE CAN**

(76) **Inventor:** **Tsong-Yow Lin**, No. 57-1, Yung Ho Street, Yung Ho Village, Ta Hu Hsiang, Taichung Hsien (TW)

(\*\*) **Term:** **14 Years**

(21) **Appl. No.:** **29/217,795**

(22) **Filed:** **Nov. 22, 2004**

(51) **LOC (8) Cl.** ..... **09-09**

(52) **U.S. Cl.** ..... **D34/9**

(58) **Field of Classification Search** ..... D34/1,  
D34/4, 5, 6, 7, 8, 9, 10, 11; 220/900-911,  
220/262-264

See application file for complete search history.

(56) **References Cited**

**U.S. PATENT DOCUMENTS**

2,311,835	A	*	2/1943	Johnson	.....	312/275
D453,600	S	*	2/2002	Lin	.....	D34/9
6,345,725	B1	*	2/2002	Lin	.....	220/263
D465,893	S	*	11/2002	Lin	.....	D34/9
D472,687	S	*	4/2003	Lin	.....	D34/7
D480,193	S	*	9/2003	Wang	.....	D34/9
D482,833	S	*	11/2003	Lin	.....	D34/9
D483,165	S	*	12/2003	Dretzka	.....	D34/7
D489,503	S	*	5/2004	Lin	.....	D34/9
D489,856	S	*	5/2004	Yang et al.	.....	D34/9
D490,199	S	*	5/2004	Daams et al.	.....	D34/7

D491,707	S	*	6/2004	Lin	.....	D34/9
D494,724	S	*	8/2004	Lin	.....	D34/9
D496,767	S	*	9/2004	Wang	.....	D34/7
6,857,538	B1	*	2/2005	Lin	.....	220/830
D503,502	S	*	3/2005	Lai	.....	D34/9
D509,036	S	*	8/2005	Lin	.....	D34/9
D509,337	S	*	9/2005	Lin	.....	D34/9
D513,445	S	*	1/2006	Lin	.....	D34/9
D515,264	S	*	2/2006	Daams	.....	D34/7
D515,763	S	*	2/2006	Lin	.....	D34/9

\* cited by examiner

*Primary Examiner*—Cynthia E. Ramirez

(74) *Attorney, Agent, or Firm*—Alan D. Kamrath; Nikolai & Mersereau, P.A.

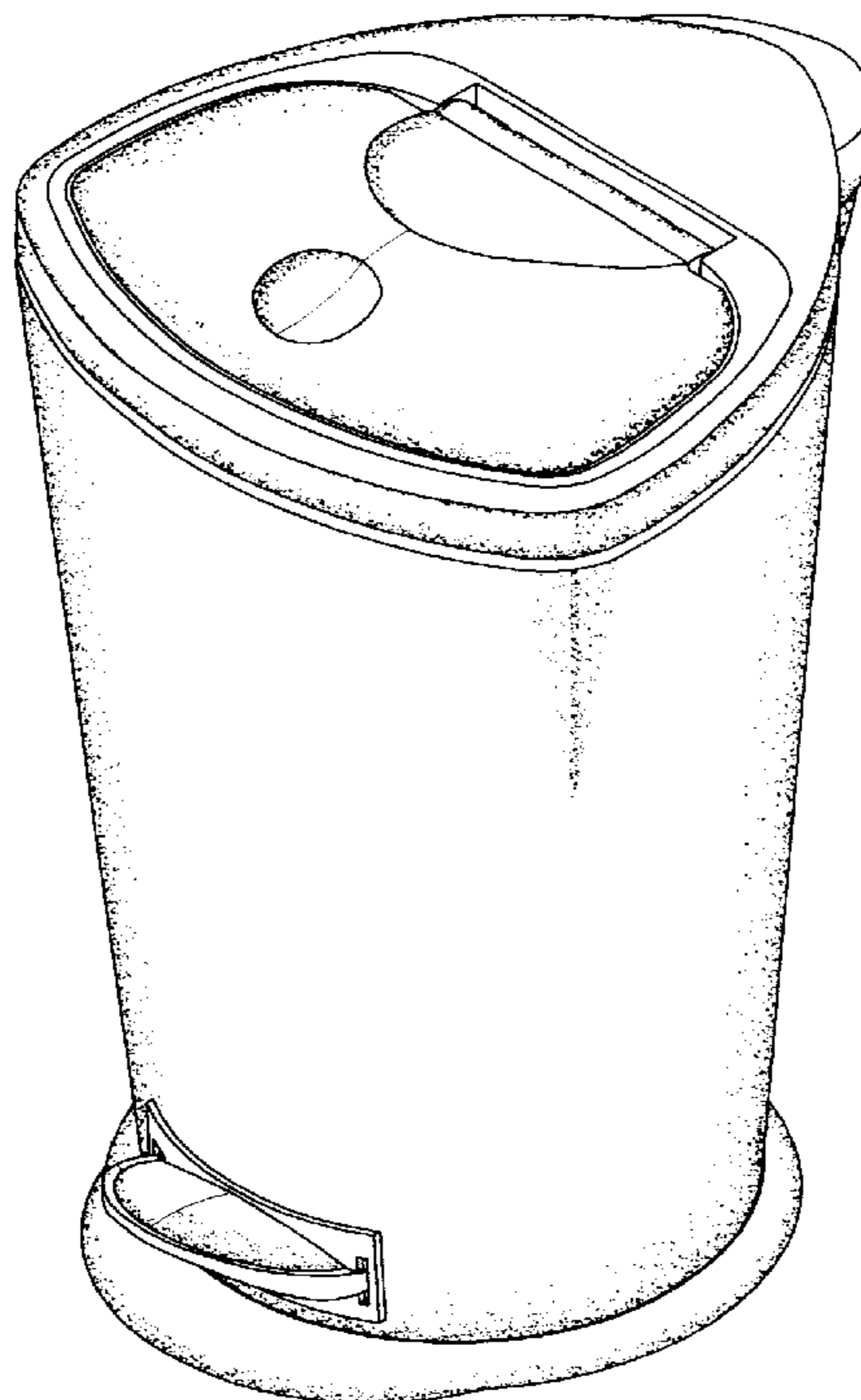
(57) **CLAIM**

The ornamental design for garbage can, as shown and described.

**DESCRIPTION**

FIG. 1 is a perspective view of a garbage can showing my new design;  
FIG. 2 is a front view thereof;  
FIG. 3 is a rear view thereof;  
FIG. 4 is a left view thereof;  
FIG. 5 is a right view thereof;  
FIG. 6 is a top view thereof; and,  
FIG. 7 is a bottom view thereof.

**1 Claim, 3 Drawing Sheets**



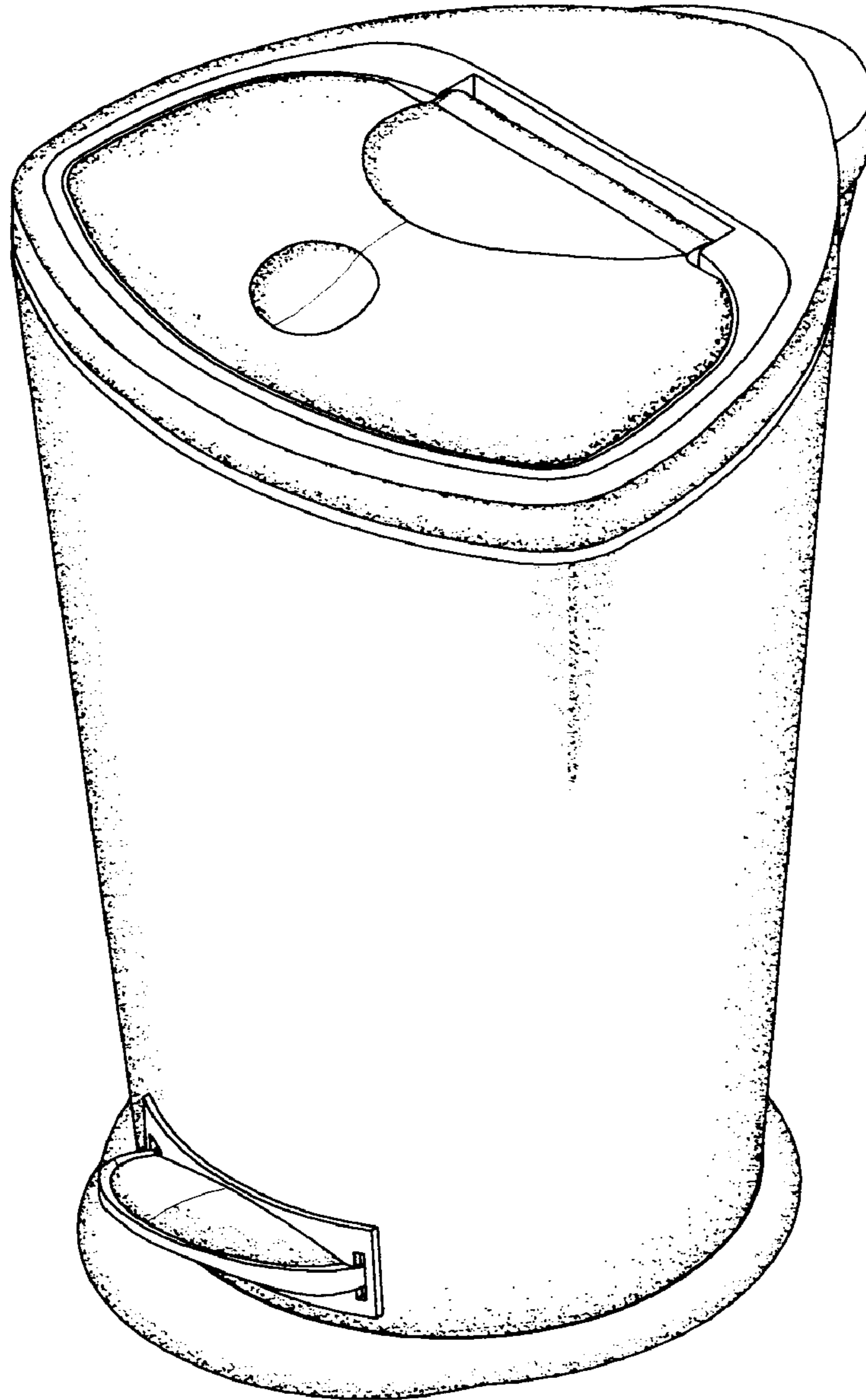


Fig. 1

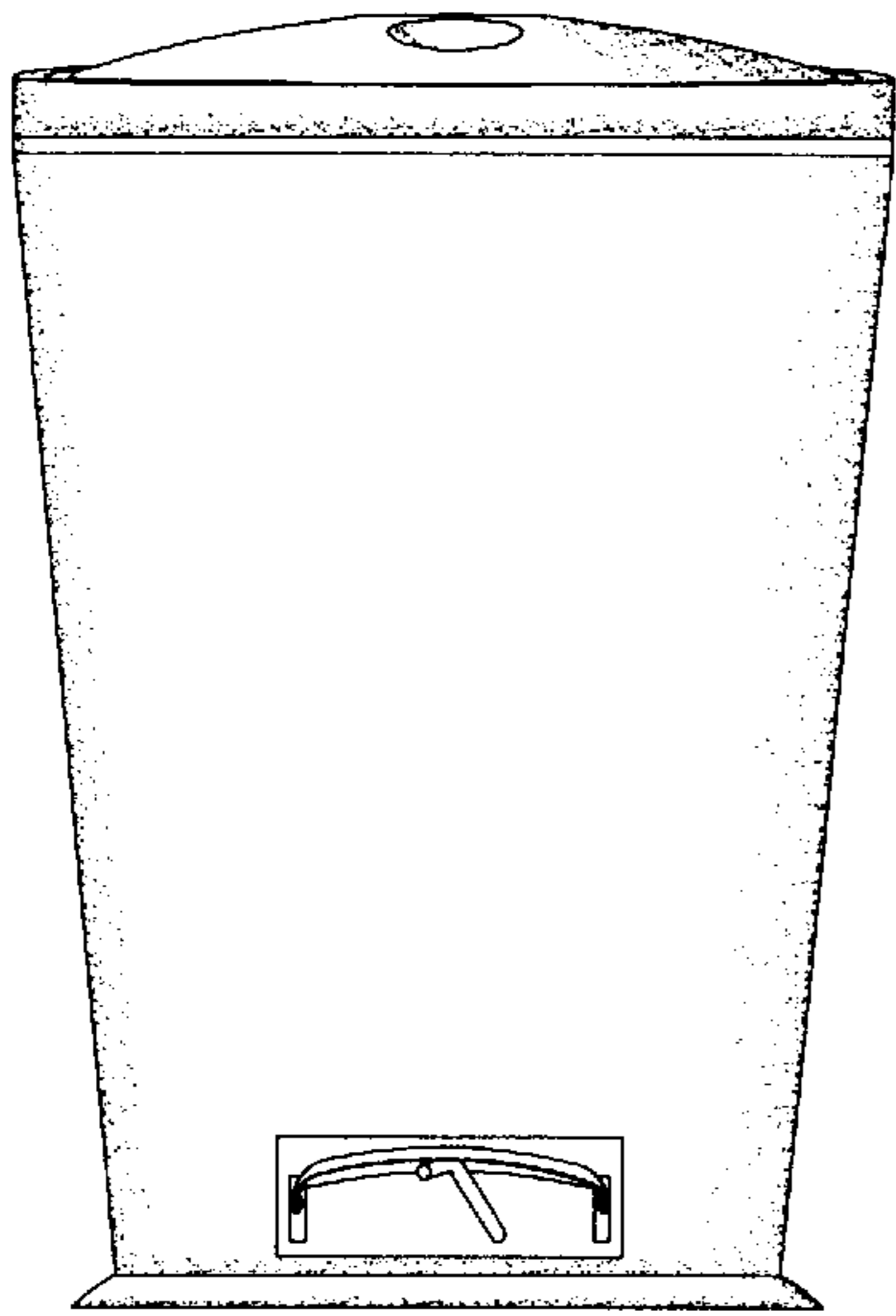


Fig. 2

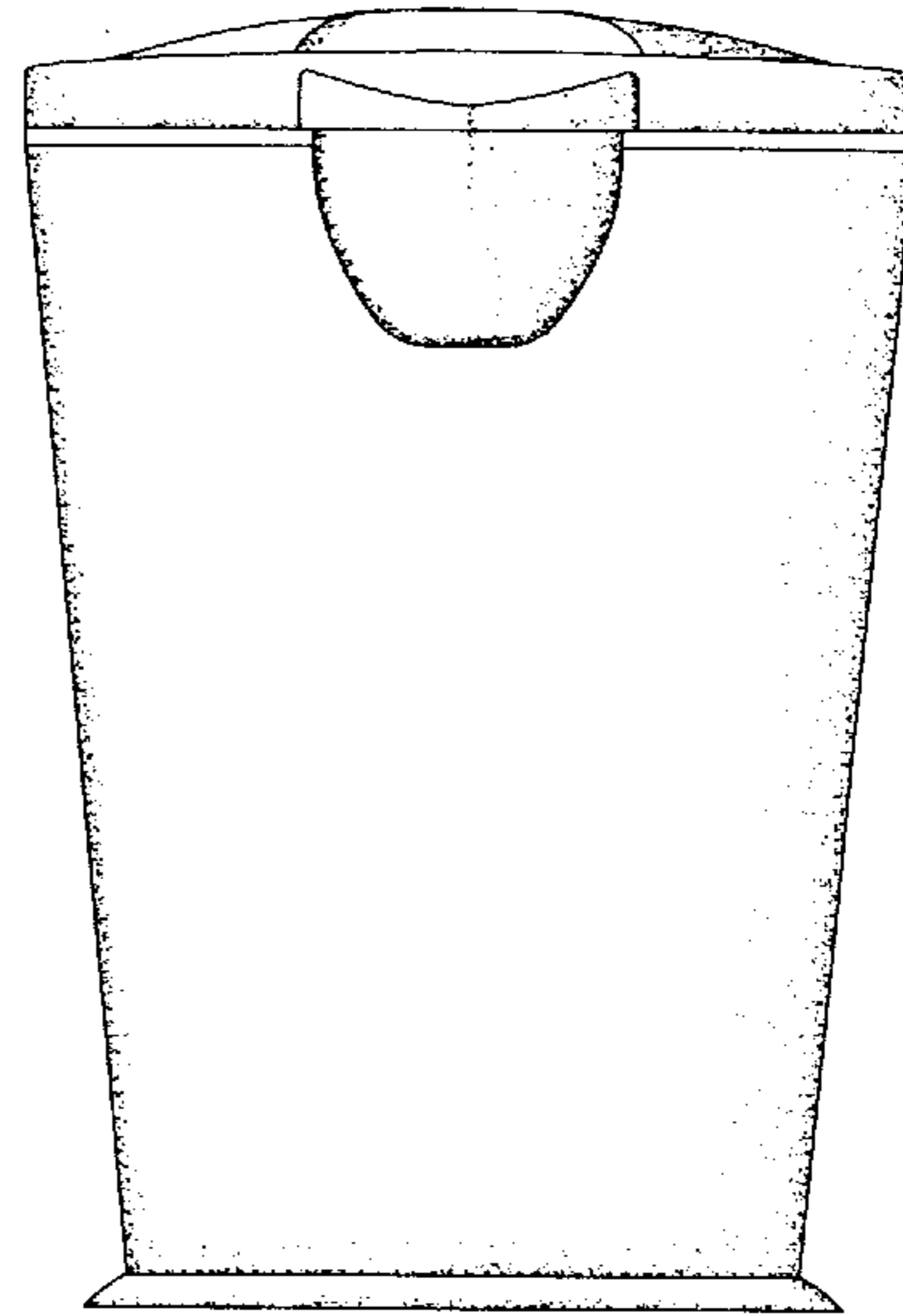


Fig. 3

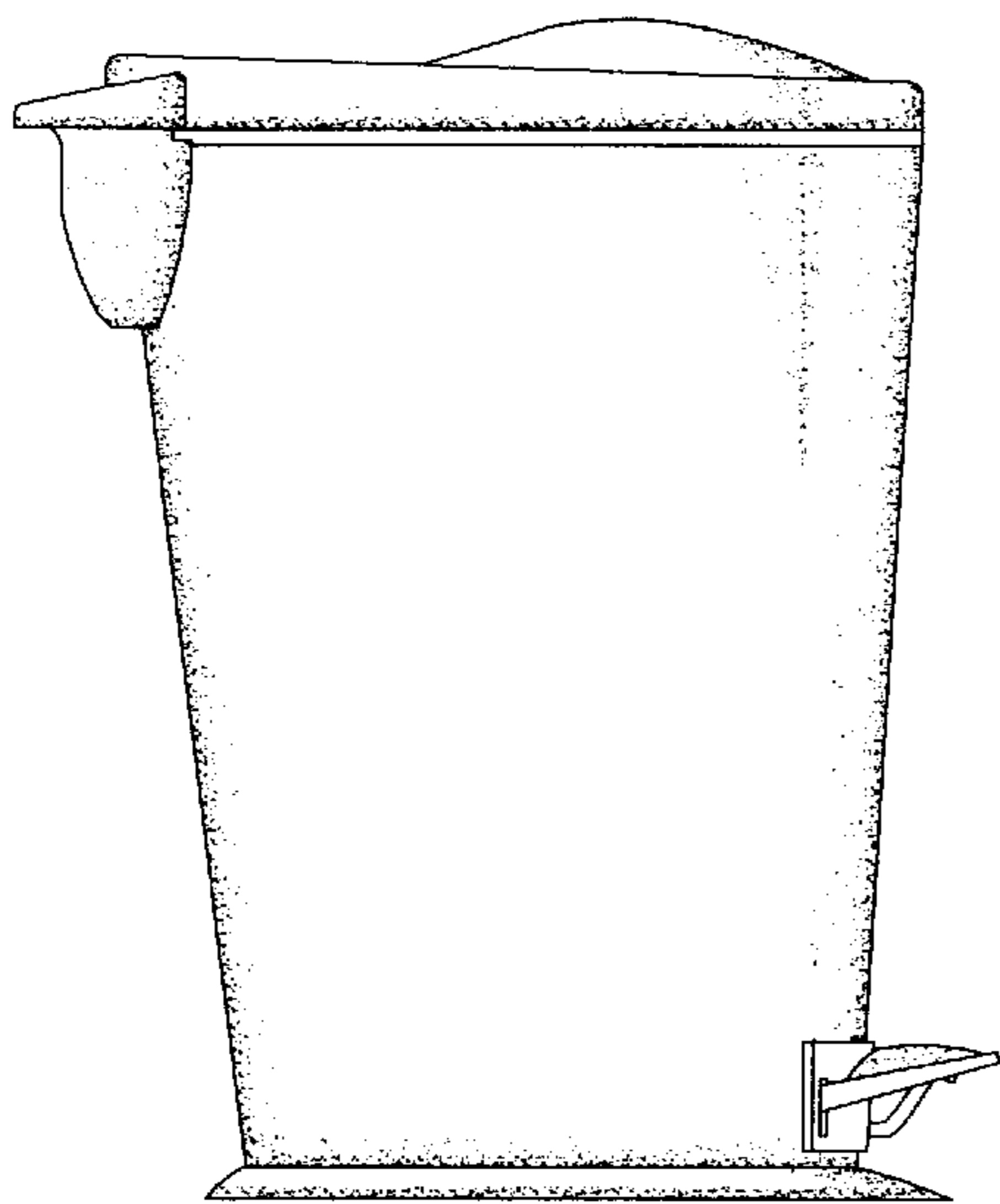


Fig. 4

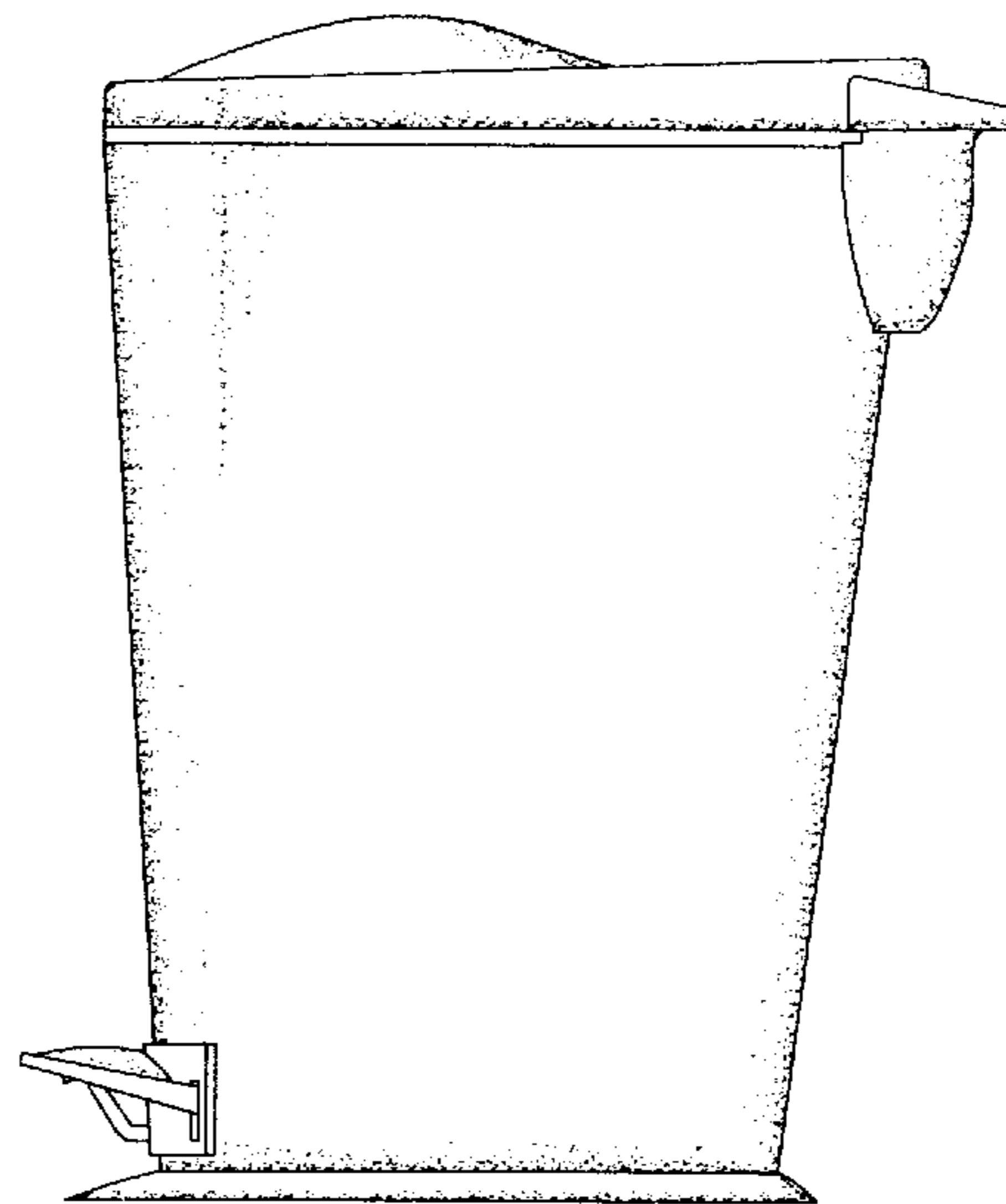


Fig. 5

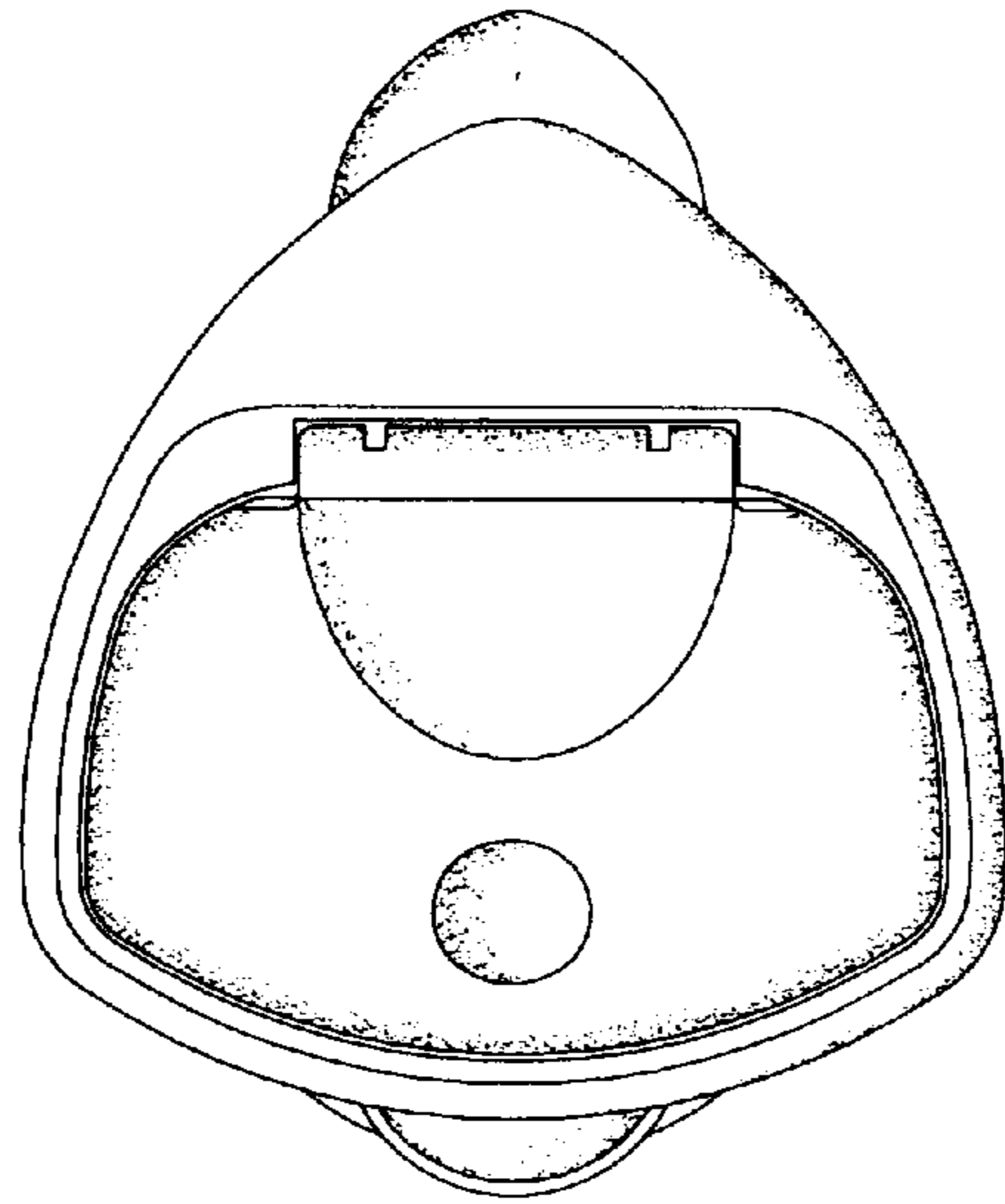


Fig. 6

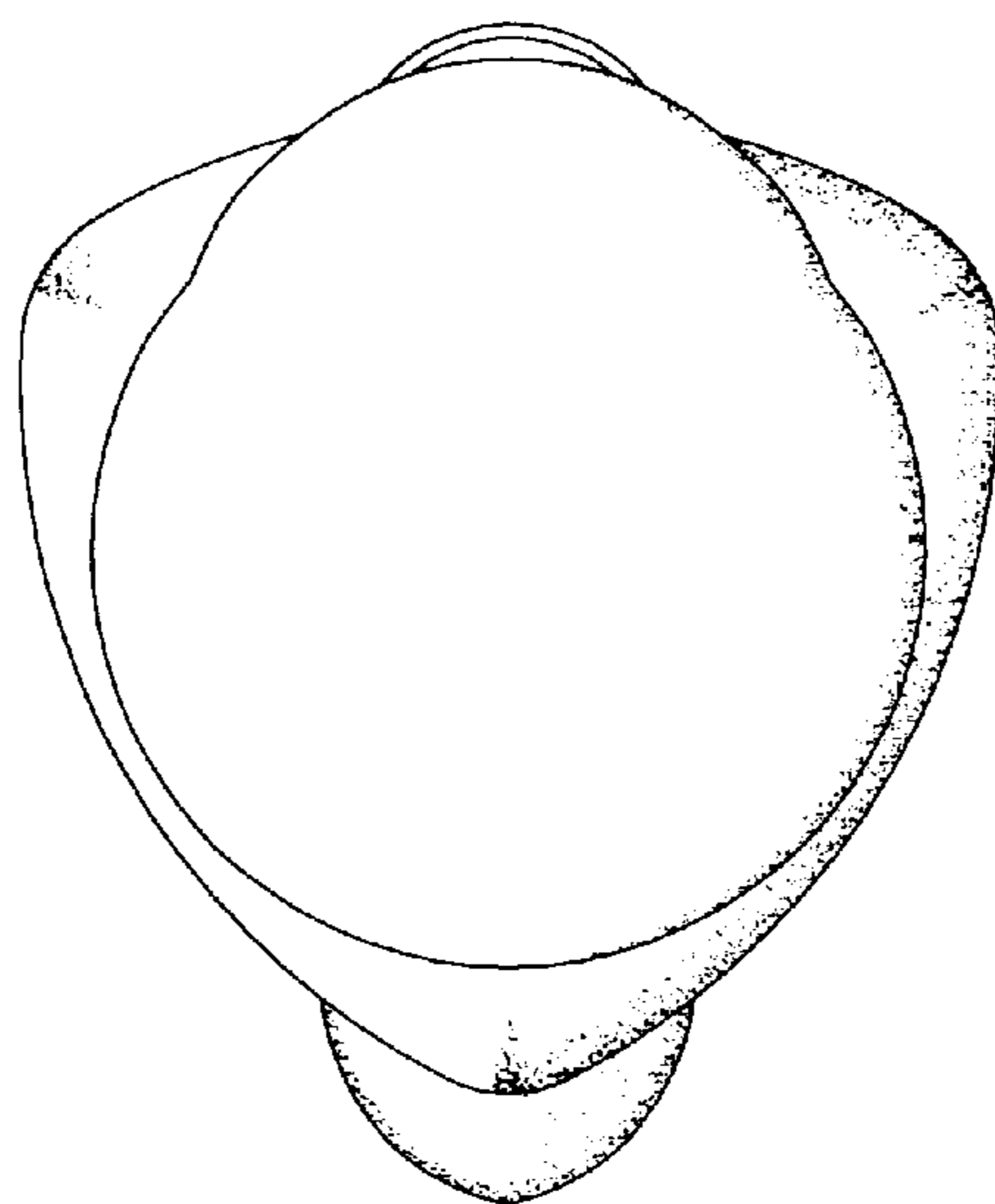


Fig. 7