



US00D526453S

(12) **United States Design Patent**
Jun

(10) **Patent No.:** **US D526,453 S**

(45) **Date of Patent:** **** Aug. 8, 2006**

(54) **WASHING MACHINE**

D491,324 S * 6/2004 Kim et al. D32/6

(75) Inventor: **Jeong-June Jun**, Seoul (KR)

OTHER PUBLICATIONS

(73) Assignee: **Samsung Electronics Co., Ltd.**,
Kyunggi-do (KR)

U.S. Appl. No. 29/251,268, Applicant: Jeong-June Jun, filed
Jan. 5, 2006 entitled Washing Machine.

(**) Term: **14 Years**

* cited by examiner

(21) Appl. No.: **29/251,269**

Primary Examiner—Louis S. Zarfes

Assistant Examiner—Kathleen Sims

(22) Filed: **Jan. 5, 2006**

(74) *Attorney, Agent, or Firm*—Fynn, Thiel, Boutell &
Tanis, P.C.

(51) **LOC (8) Cl.** **15-05**

(52) **U.S. Cl.** **D32/6**

(58) **Field of Classification Search** 68/3 R,
68/4, 5 R, 12.01, 12.08, 212; 34/58, 109,
34/130–132, 417, 499, 523, 534, 595–597,
34/600, 603; D32/1, 5, 6, 10, 25, 28, 58;
312/31; 38/1 A

(57) **CLAIM**

See application file for complete search history.

The ornamental design for a washing machine, as shown and
described.

DESCRIPTION

(56) **References Cited**

U.S. PATENT DOCUMENTS

- D292,629 S * 11/1987 Nagai et al. D32/6
- D360,501 S * 7/1995 Ertz et al. D32/6
- D446,891 S * 8/2001 Kim D32/6
- D477,898 S * 7/2003 Geyer D32/6
- D490,946 S * 6/2004 Suh et al. D32/6

FIG. 1 is a top front perspective view of a washing machine
showing our new design;

FIG. 2 is a front elevational view thereof;

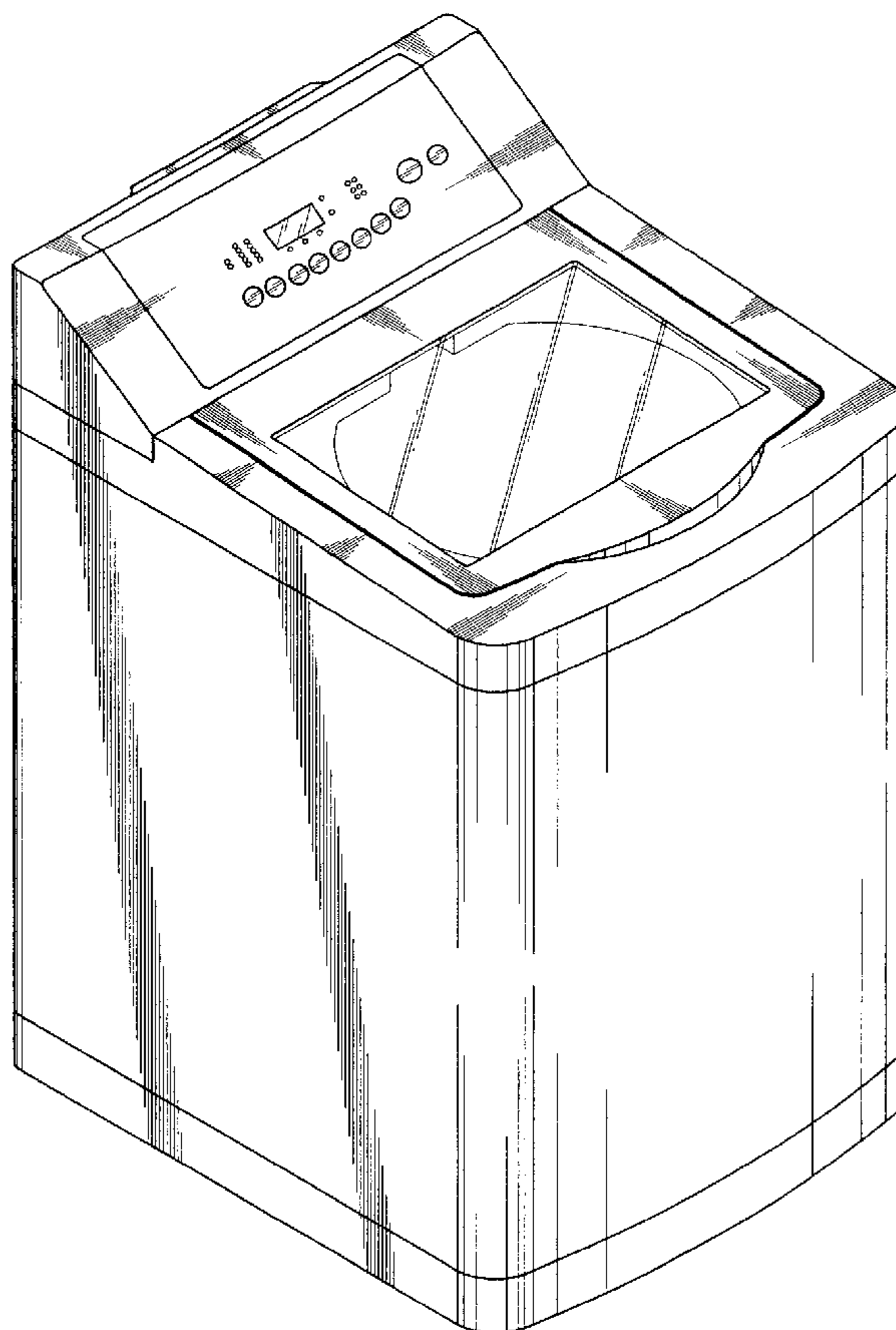
FIG. 3 is a rear elevational view thereof;

FIG. 4 is a left side elevational view, the right side being
symmetrical thereof;

FIG. 5 is a top plan view thereof; and,

FIG. 6 is a bottom plan view.

1 Claim, 4 Drawing Sheets



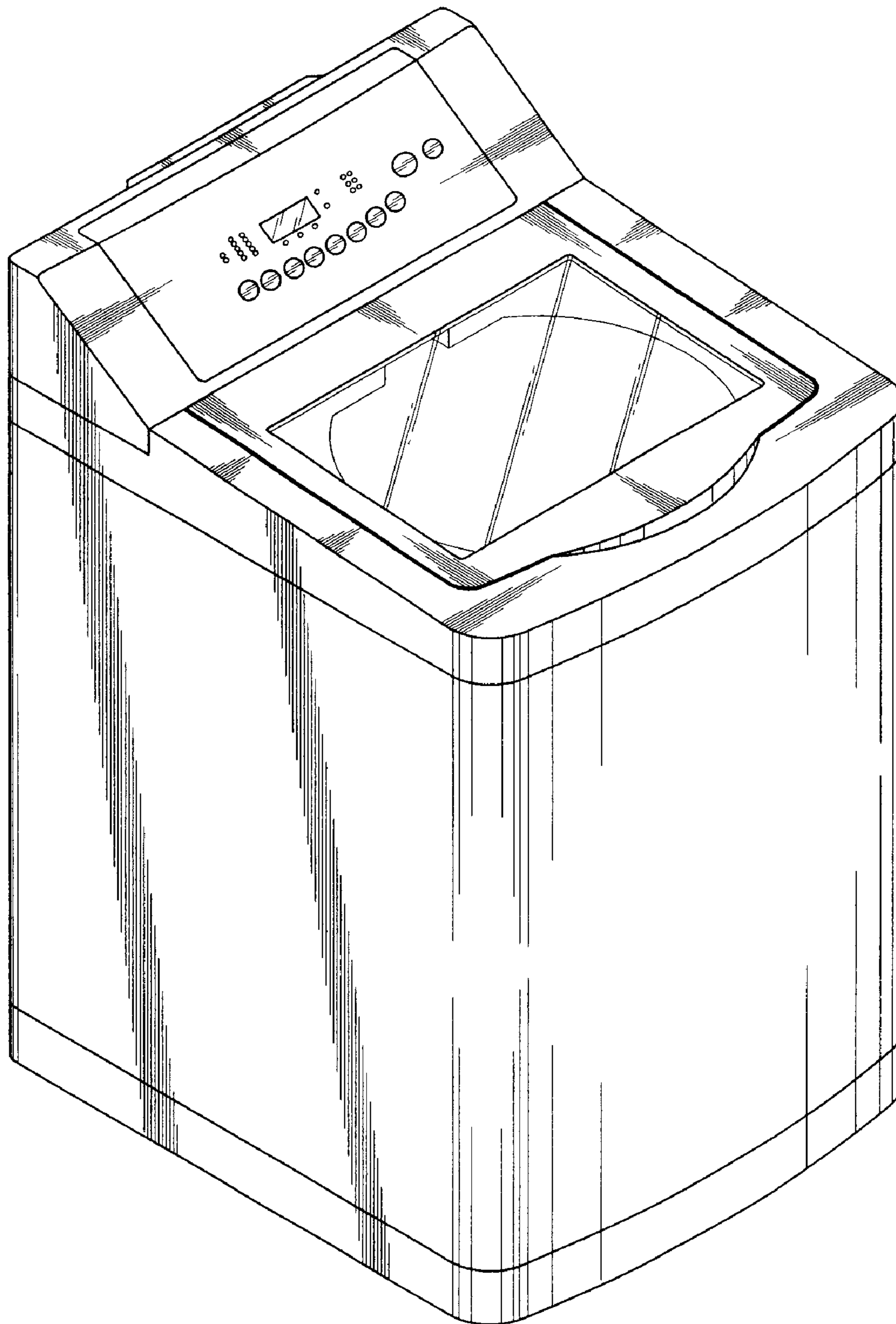


FIG. 1

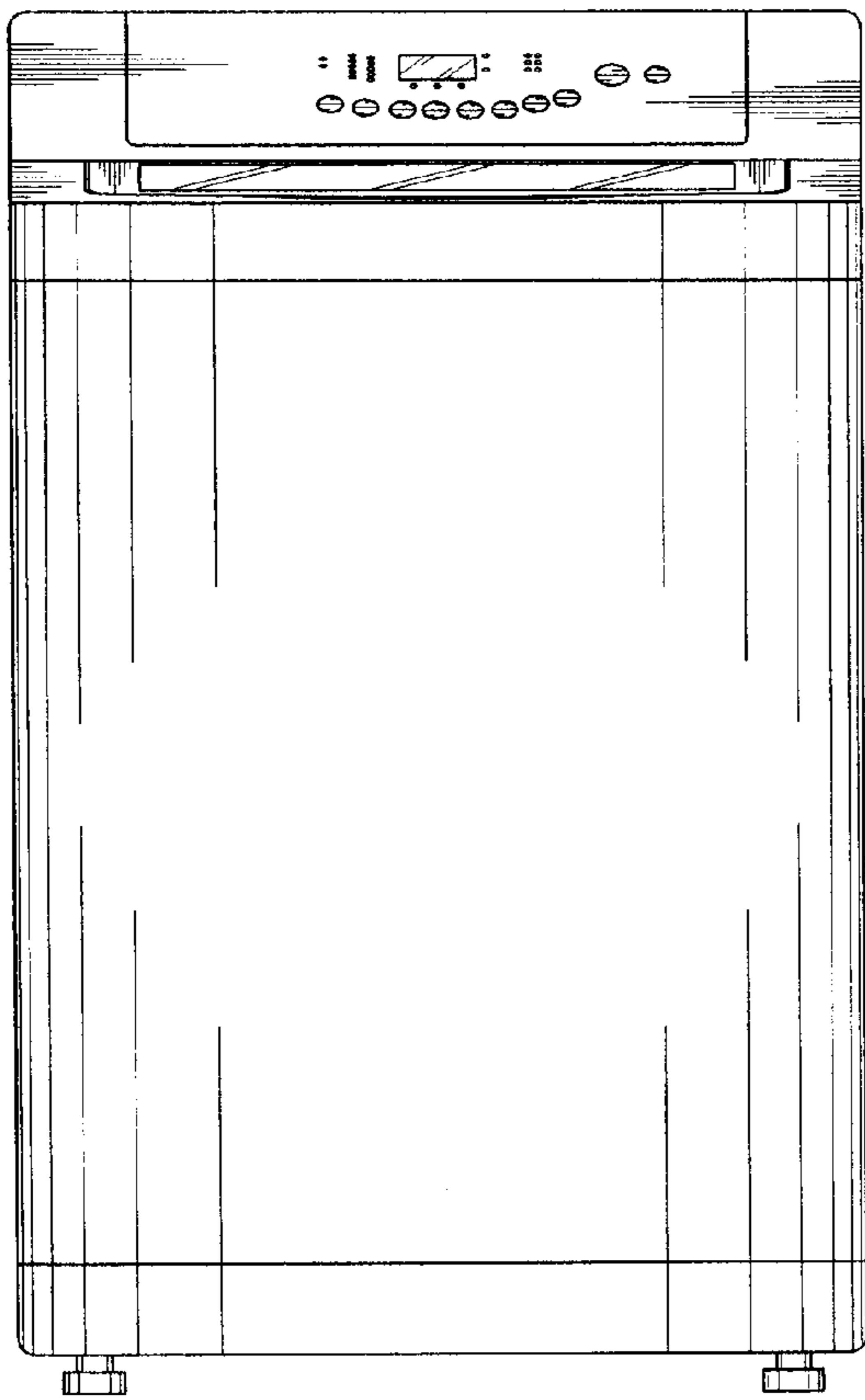


FIG. 2

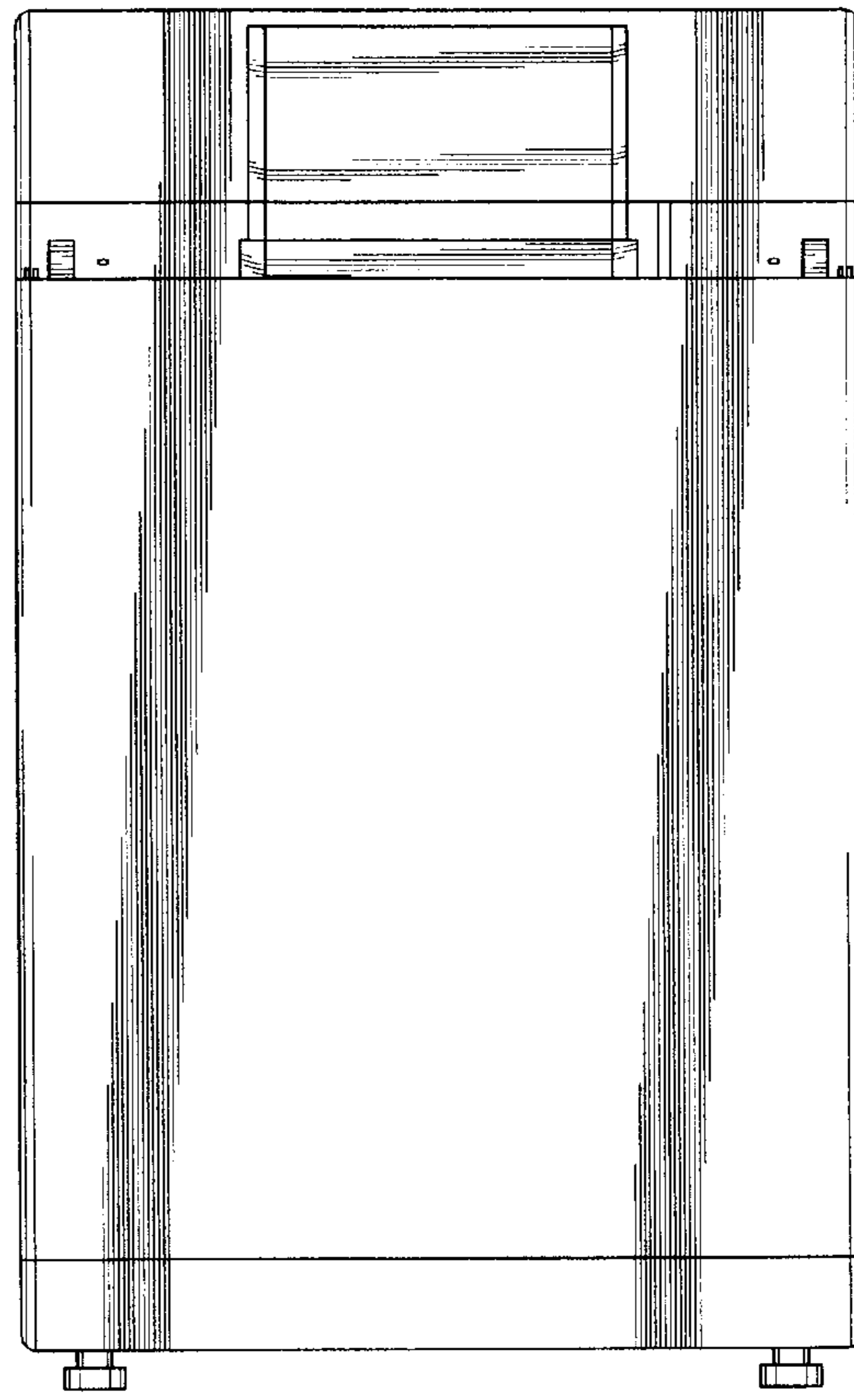


FIG. 3

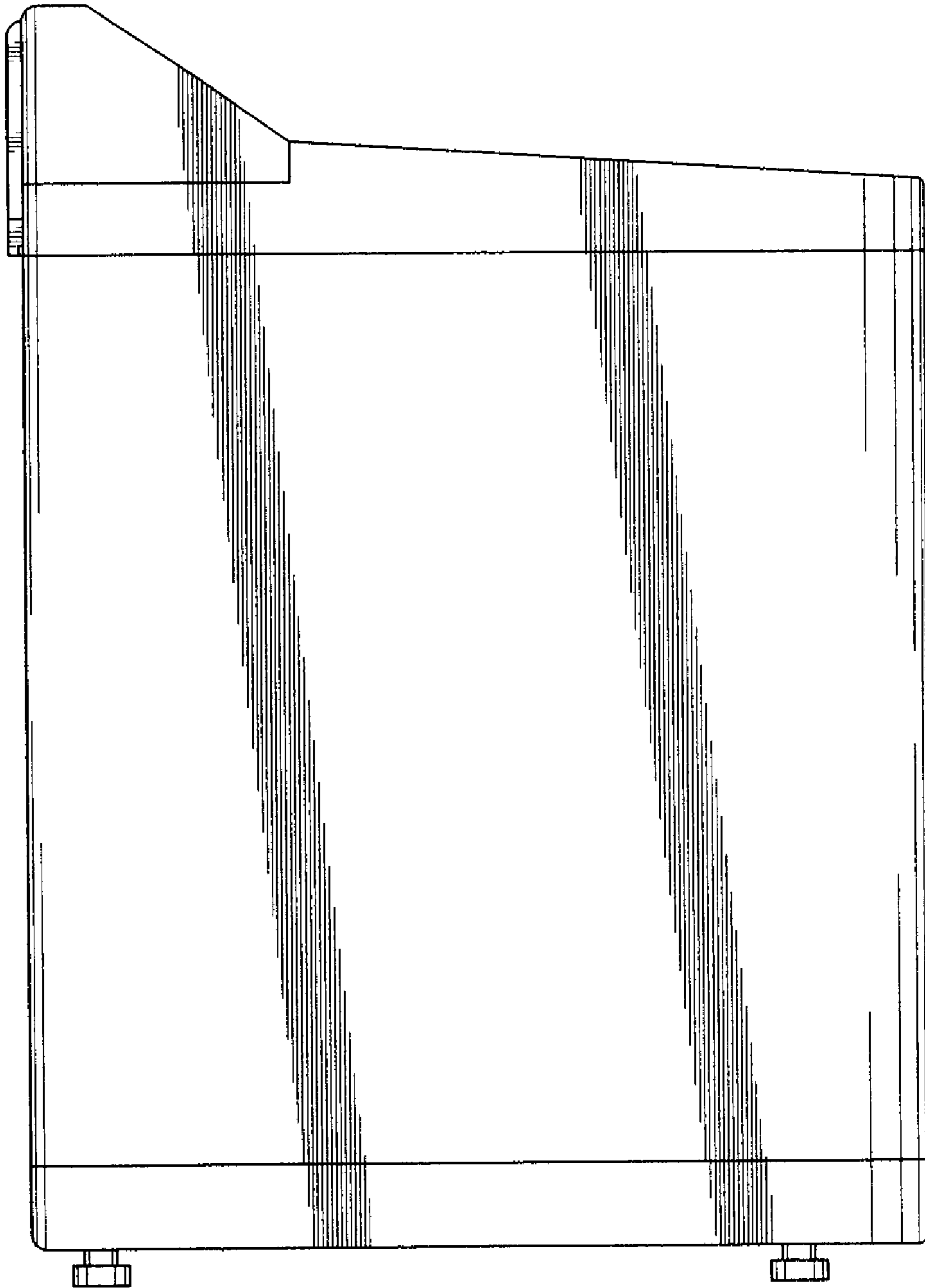


FIG. 4

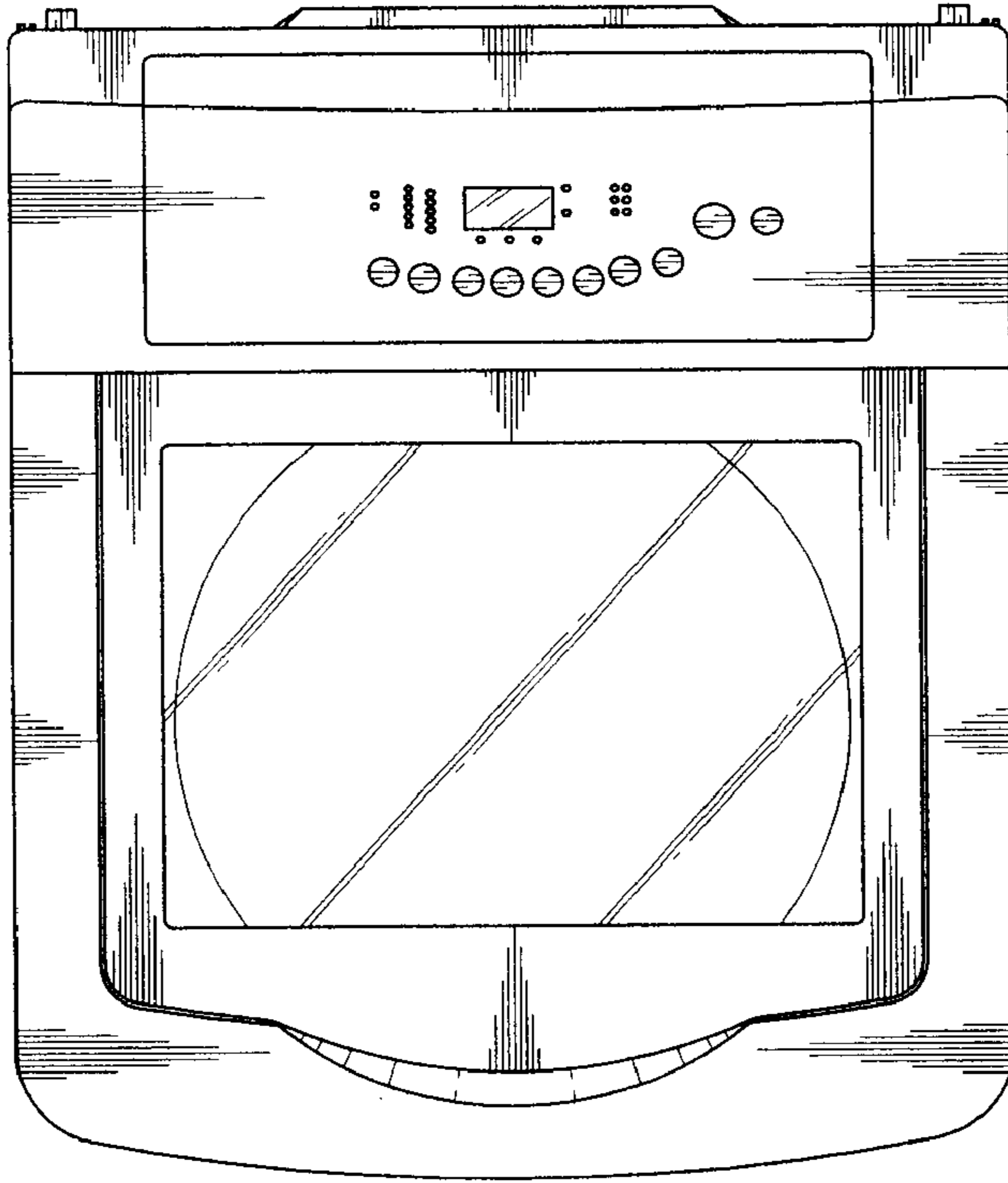


FIG. 5

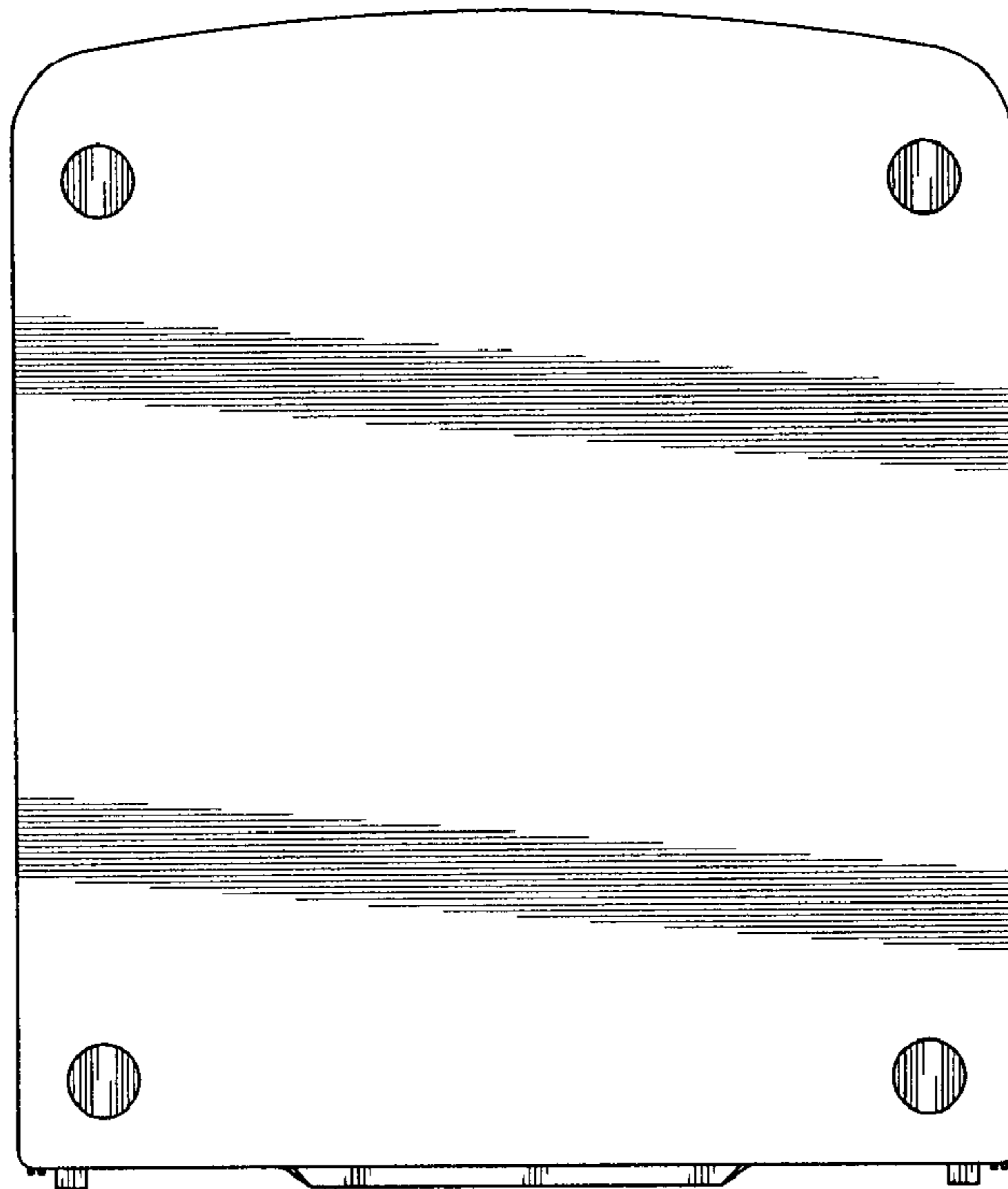


FIG. 6